



US00D935965S

(12) **United States Design Patent** (10) **Patent No.:** **US D935,965 S**
Yang (45) **Date of Patent:** **** Nov. 16, 2021**

(54) **FRONT FENDER FLARE FOR A VEHICLE**

OTHER PUBLICATIONS

(71) Applicant: **Paramount Restyling Automotive Inc.**,
Ontario, CA (US)

Paramount Automotive Hydro Series Fender Flares, Published date unavailable [online], [retrieved on Aug. 3, 2021]. Retrieved from the Internet: <https://www.quadratec.com/p/paramount-automotive/hydro-series-fender-flares-wrangler-jl-gliadiator-jt> (Year: 2021).*

(72) Inventor: **Mingfa Yang**, Calabasas, CA (US)

Primary Examiner — Christian P. McLean

(73) Assignee: **Paramount Restyling Automotive Inc.**,
Ontario, CA (US)

Assistant Examiner — Adam C Mager

(**) Term: **15 Years**

(74) *Attorney, Agent, or Firm* — Chen Yoshimura LLP

(21) Appl. No.: **29/747,943**

(57) **CLAIM**

The ornamental design for a front fender flare for a vehicle, as shown and described.

(22) Filed: **Aug. 26, 2020**

DESCRIPTION

(51) **LOC (13) Cl.** **12-16**

(52) **U.S. Cl.**
USPC **D12/184**

(58) **Field of Classification Search**
USPC D12/86, 88, 89, 90, 91, 92, 93, 96, 163,
D12/164, 167, 169, 171, 172, 173, 181,
D12/184, 185, 190, 192, 196, 223, 400;
D21/533, 548, 552, 561
CPC B62D 25/02; B62D 25/08; B62D 25/16;
B62D 25/18; B62D 25/24; B62D 25/161;
B62D 25/168; B62D 25/182; B62D
25/184; B60R 13/04; B60R 13/0861;
B60R 19/00

See application file for complete search history.

FIG. 1 is a front, top and left side perspective view of a front fender flare for a vehicle showing my new design;
FIG. 2 is a front, top and left side perspective view of the front fender flare for a vehicle with a portion of a vehicle on which the front fender flare for a vehicle is installed;
FIG. 3 is a rear, top and right side perspective view of the front fender flare for a vehicle;
FIG. 4 is a bottom and left side perspective view thereof;
FIG. 5 is a front elevational view thereof;
FIG. 6 is a front elevational view of the front fender flare for a vehicle with a portion of the vehicle on which the front fender flare for a vehicle is installed;
FIG. 7 is a rear elevational view of the front fender flare for a vehicle;
FIG. 8 is a left side elevational view thereof;
FIG. 9 is a right side elevational view thereof;
FIG. 10 is a top plan view thereof; and
FIG. 11 is a top plan view of the front fender flare for a vehicle with a portion of the vehicle on which the front fender flare for a vehicle is installed; and,
FIG. 12 is a bottom plan view of the front fender flare for a vehicle.

The portions of the vehicle and certain features of the front fender flare are shown in broken lines for illustrative purposes only and form no part of the claimed design.

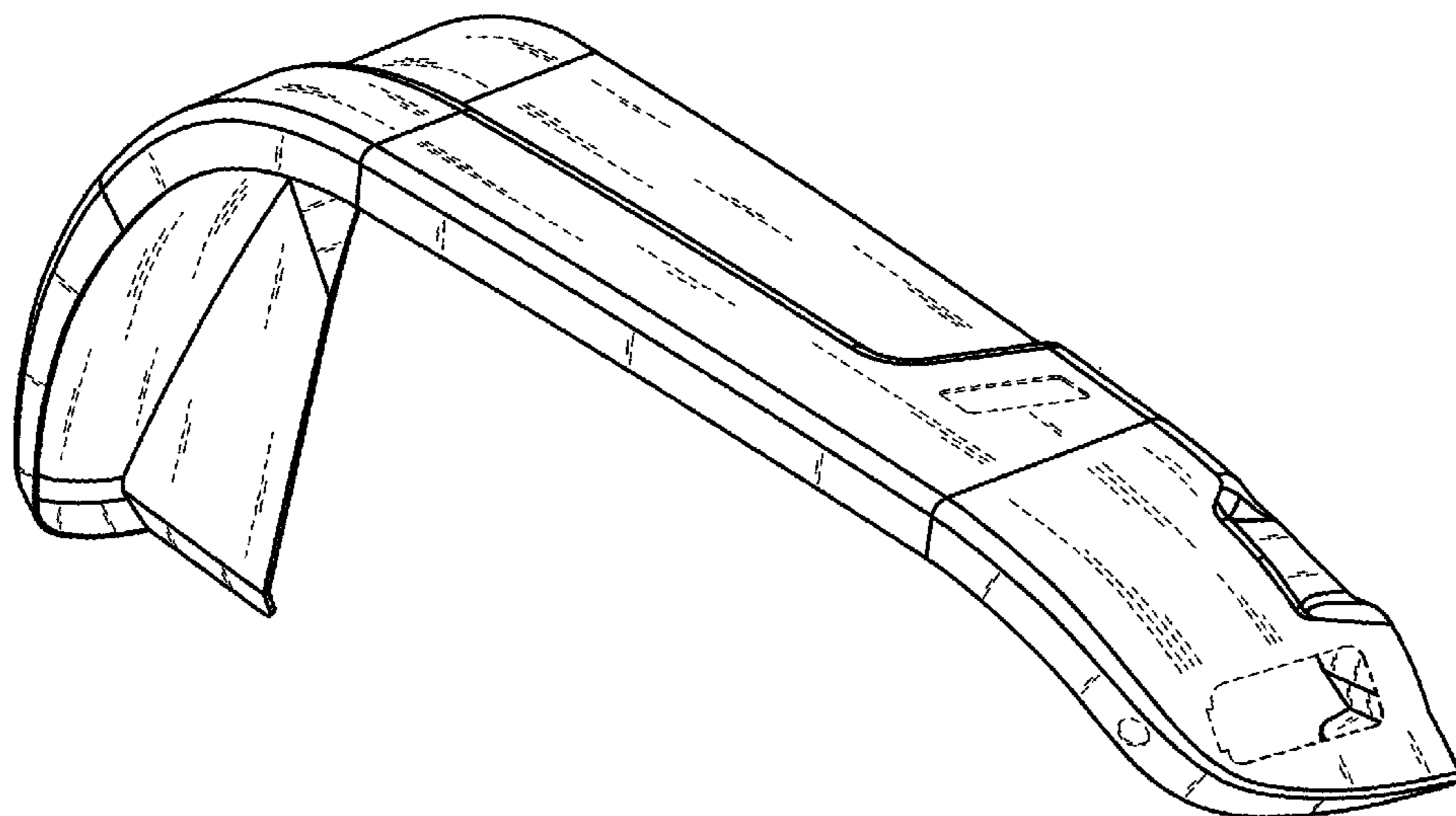
(56) **References Cited**

U.S. PATENT DOCUMENTS

4,169,608 A * 10/1979 Logan B62D 25/182
280/848
D256,793 S * 9/1980 Logan D12/184
D256,794 S * 9/1980 Logan D12/184
D482,992 S * 12/2003 Hattori D12/184
D582,825 S * 12/2008 Logan D12/184
D620,855 S * 8/2010 Waclawski D12/181
D623,103 S * 9/2010 Braga D12/181

(Continued)

1 Claim, 12 Drawing Sheets



(56)

References Cited

U.S. PATENT DOCUMENTS

D699,169	S *	2/2014	Waclawski	D12/184
D712,324	S *	9/2014	McFarlin	D12/181
D778,795	S *	2/2017	Johns	D12/184
D781,193	S *	3/2017	McMath	D12/196
D785,523	S *	5/2017	McMath	D12/184
D814,372	S *	4/2018	Bennett	D12/184
D839,806	S *	2/2019	Chi	D12/184
D840,886	S *	2/2019	Schittko	D12/188
D851,001	S *	6/2019	Guo	D12/184
D855,519	S *	8/2019	Bundy	D12/184
D856,878	S *	8/2019	Harriton	D12/184
D858,386	S *	9/2019	Wymore	D12/184
10,407,110	B2 *	9/2019	Wymore	B62D 25/16
D861,561	S *	10/2019	Mallicote	D12/184
D863,159	S *	10/2019	Goodrich	D12/184
D875,006	S *	2/2020	DiCanzio	D12/184
D889,338	S *	7/2020	McMath	D12/184
D892,694	S *	8/2020	Li	D12/196
D896,143	S *	9/2020	Heinemann	D12/190
D898,640	S *	10/2020	Rose	D12/184
D901,348	S *	11/2020	Goodrich	D12/184
D904,256	S *	12/2020	Yao	D12/184
D907,551	S *	1/2021	Math	D12/184
D911,893	S *	3/2021	Li	D12/184
D914,562	S *	3/2021	Kirkman	D12/184
D920,866	S *	6/2021	Bennett	D12/184
D920,867	S *	6/2021	Bennett	D12/184
D925,421	S *	7/2021	Mallicote	D12/184
2010/0253034	A1 *	10/2010	Crismon	B62D 25/182 280/154
2015/0239506	A1 *	8/2015	Gust	B23P 19/04 280/770
2018/0272961	A1 *	9/2018	Gust	B60Q 1/32
2019/0233020	A1 *	8/2019	Frederick	B60R 13/04
2020/0108873	A1 *	4/2020	Mallicote	B60R 3/00

* cited by examiner

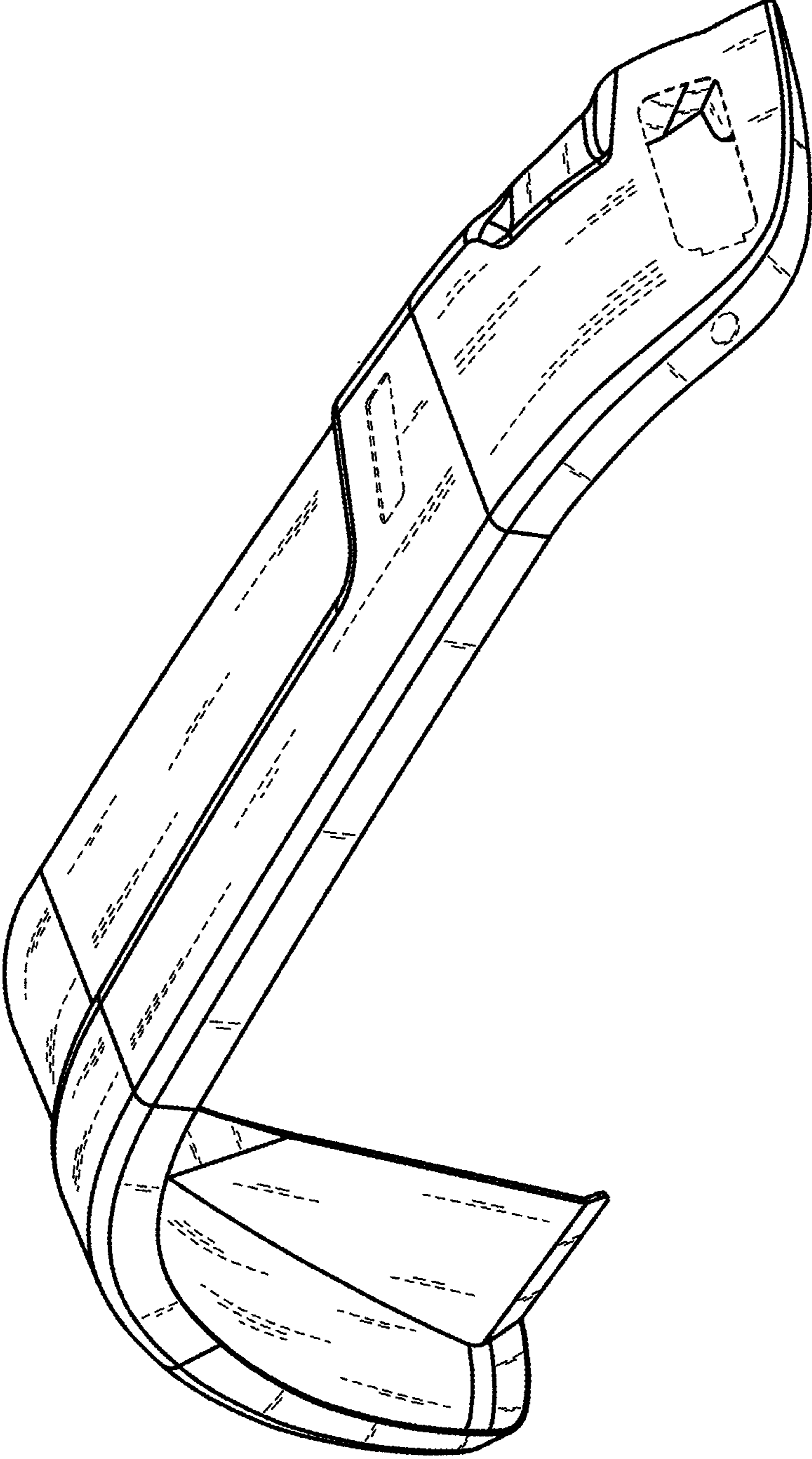


FIG. 1

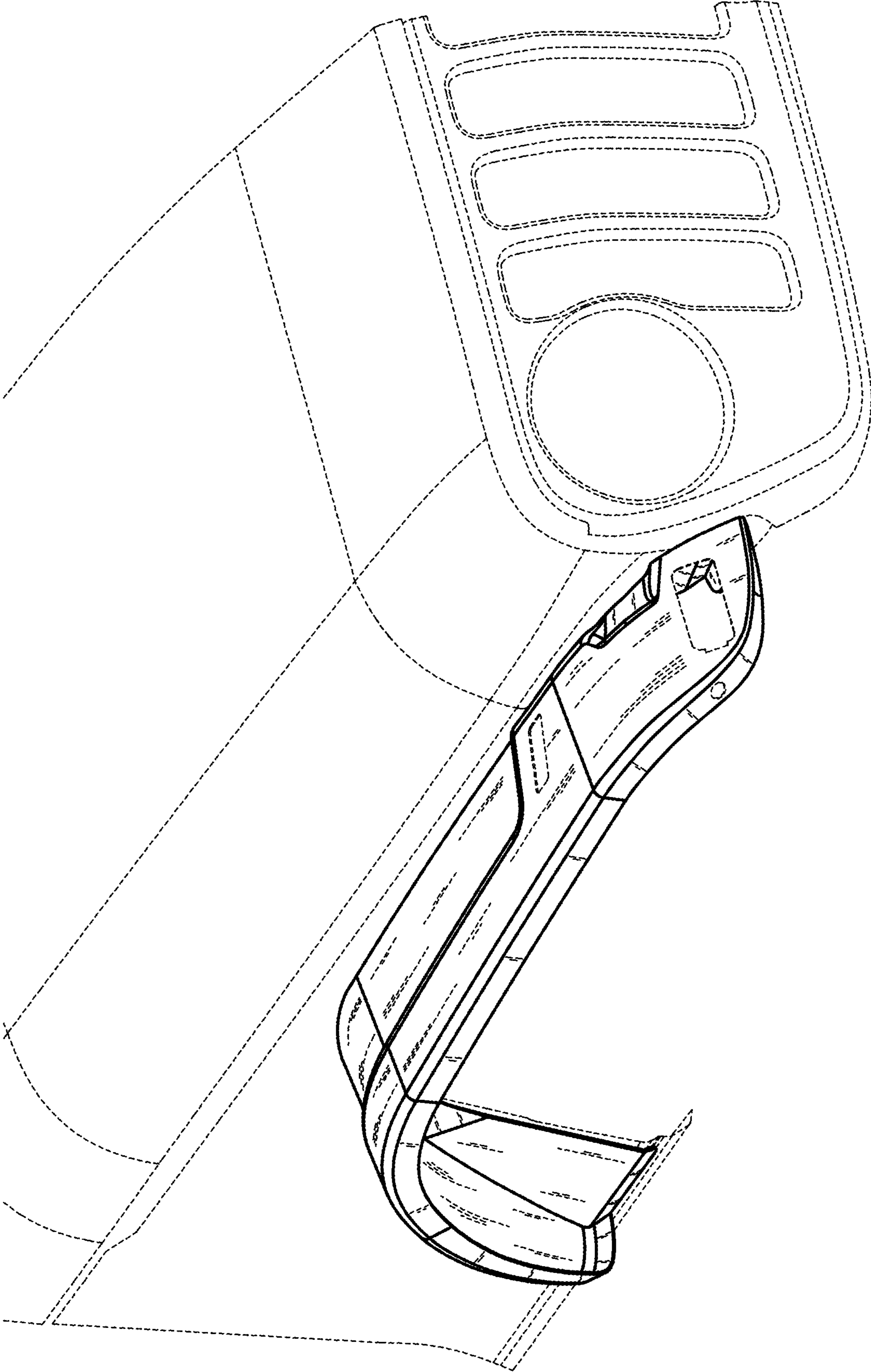


FIG. 2

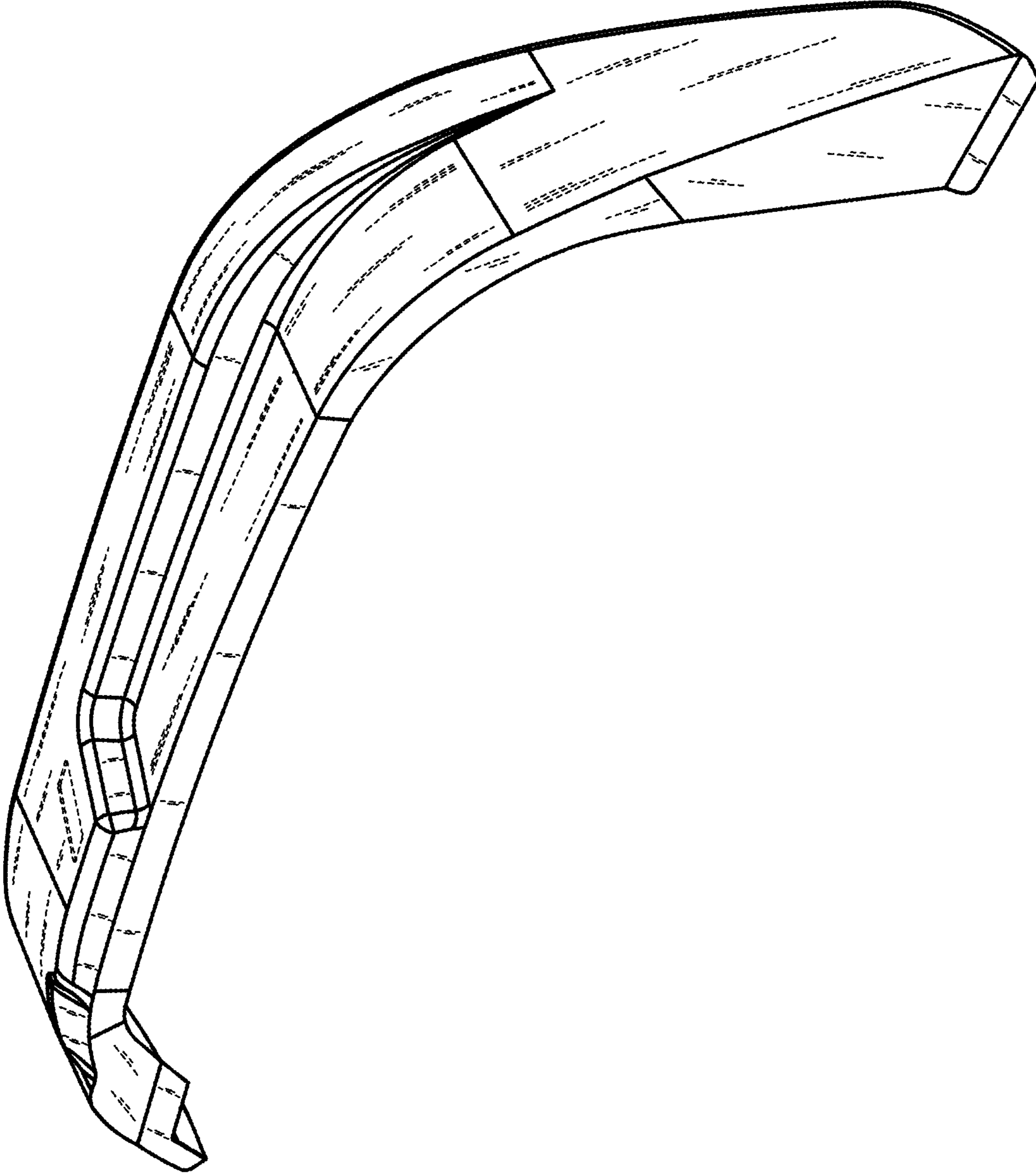


FIG. 3

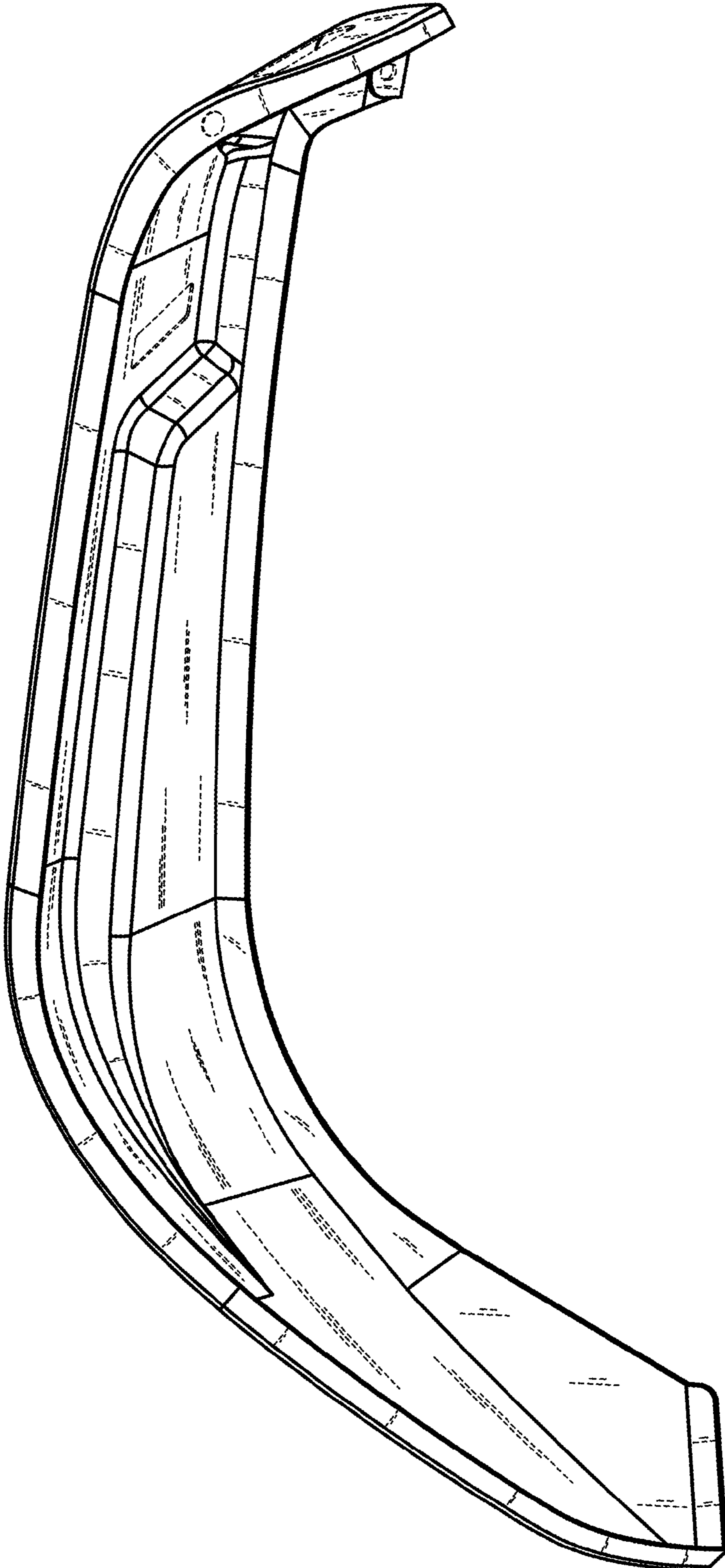


FIG. 4

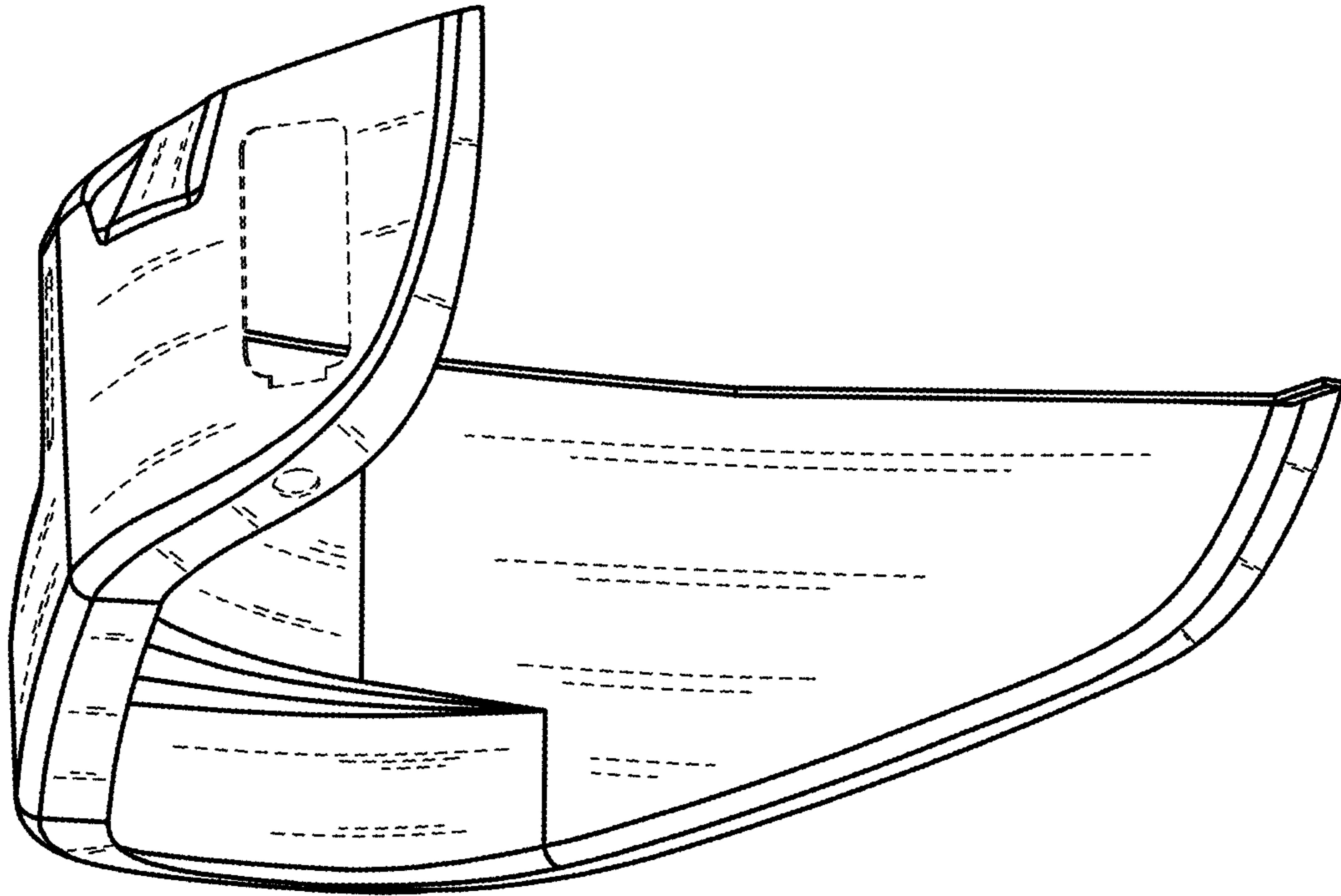


FIG. 5

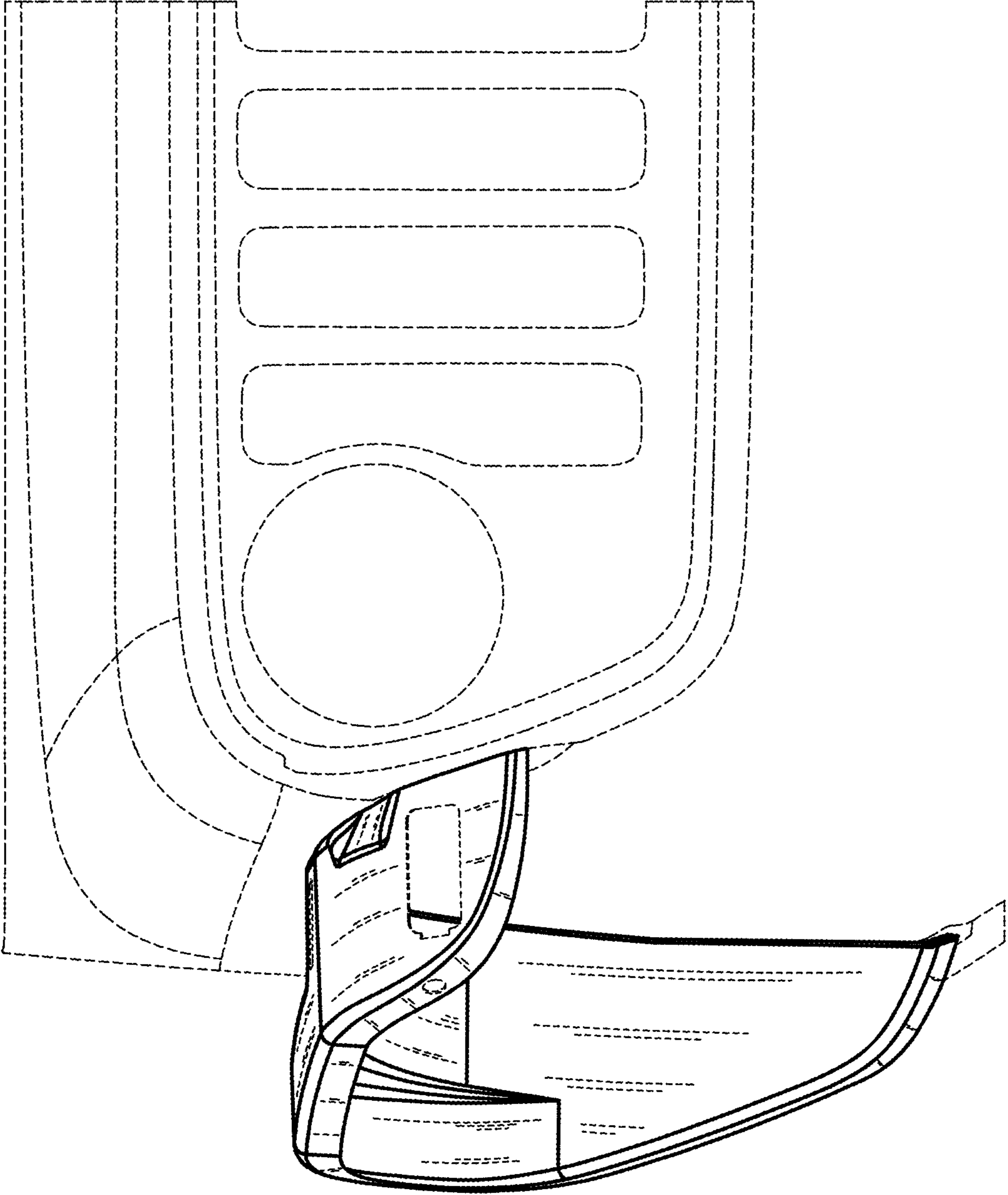


FIG. 6

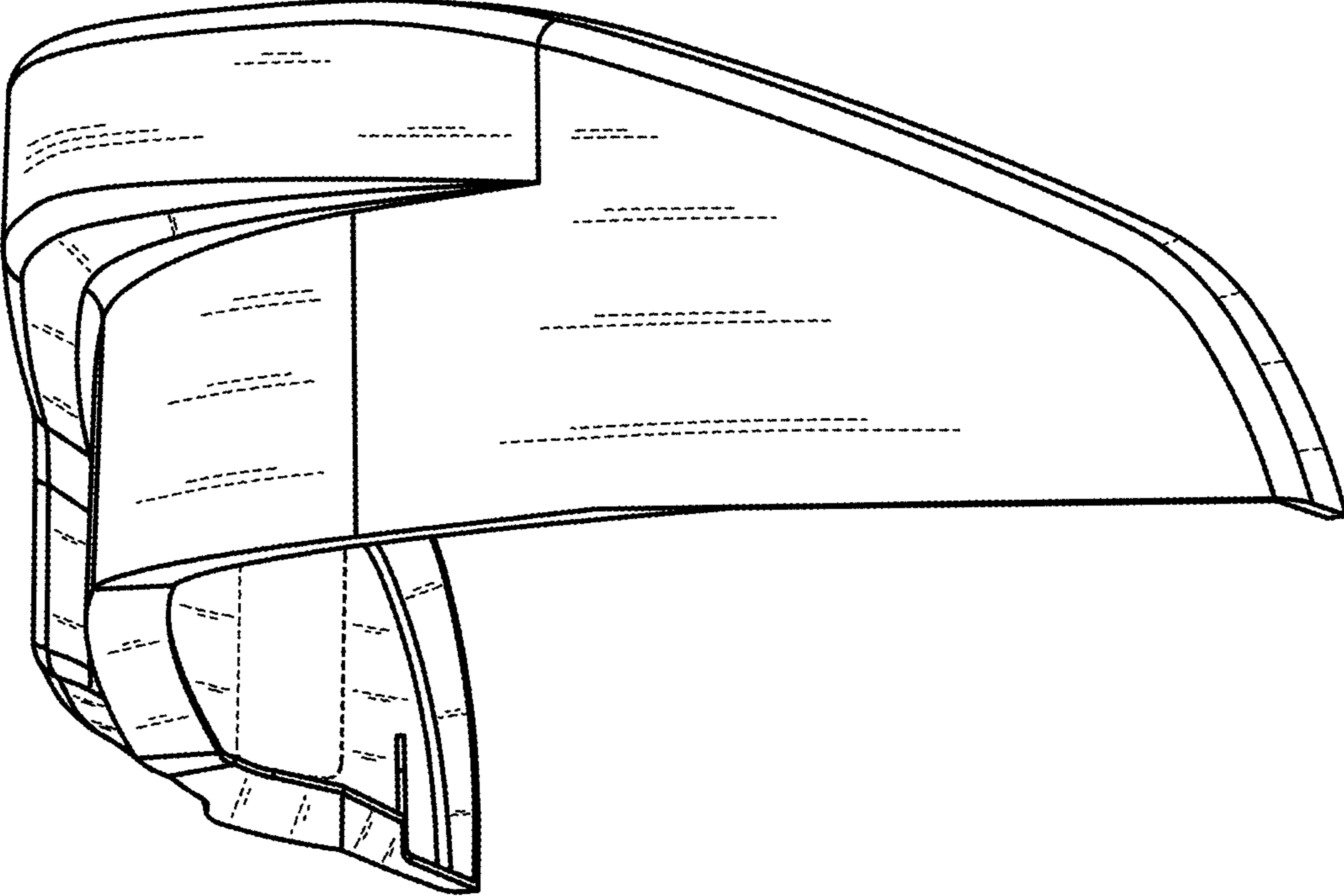


FIG. 7

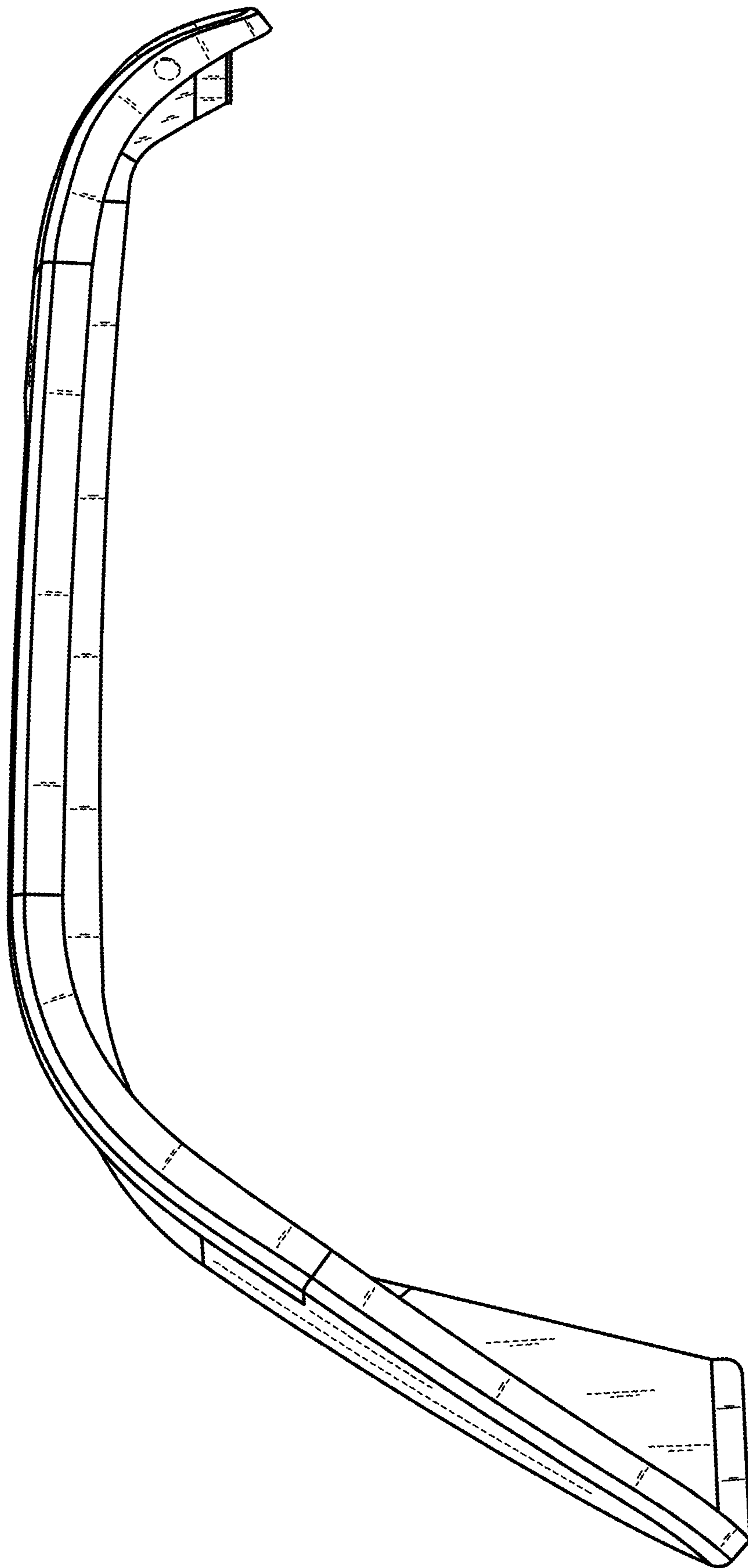


FIG. 8

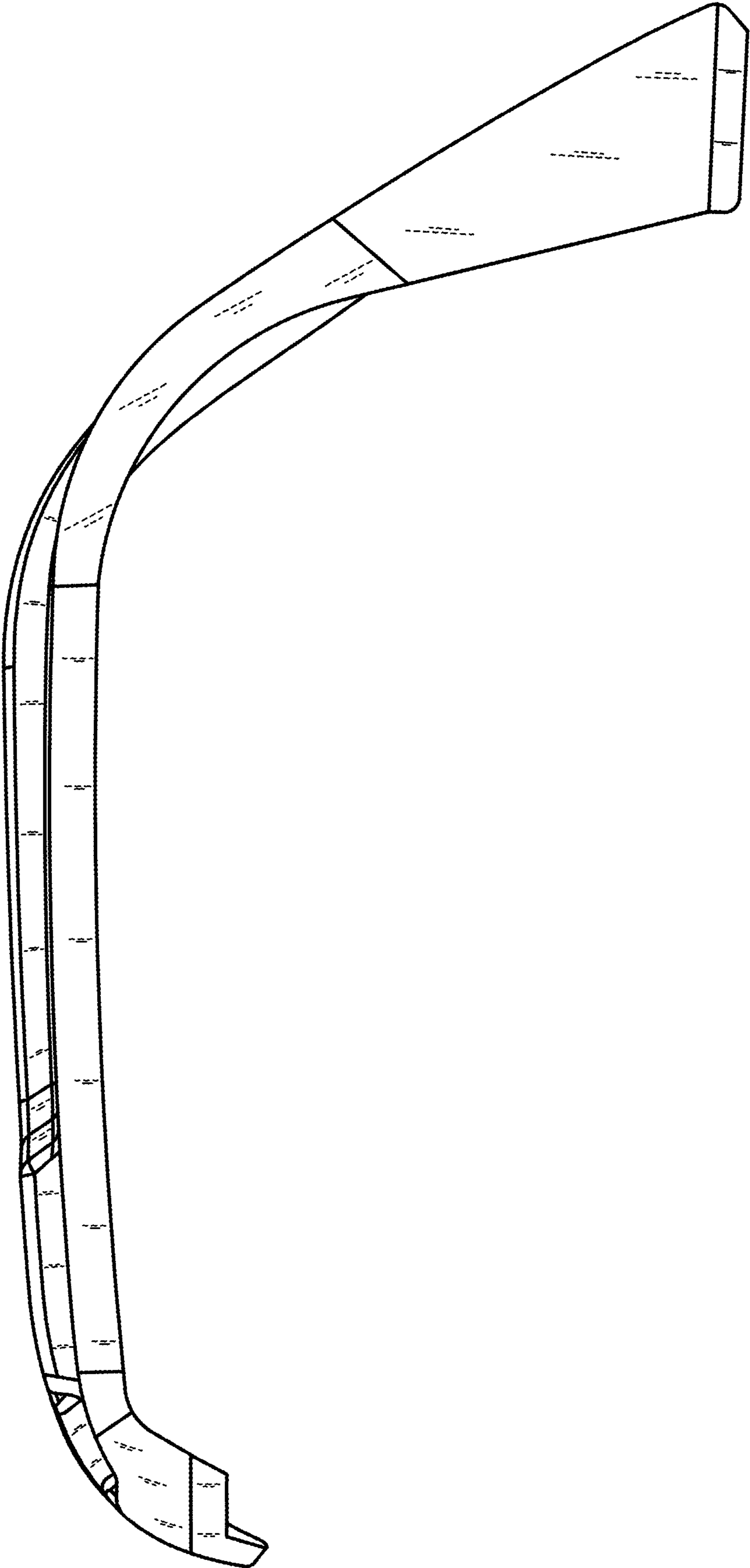


FIG. 9

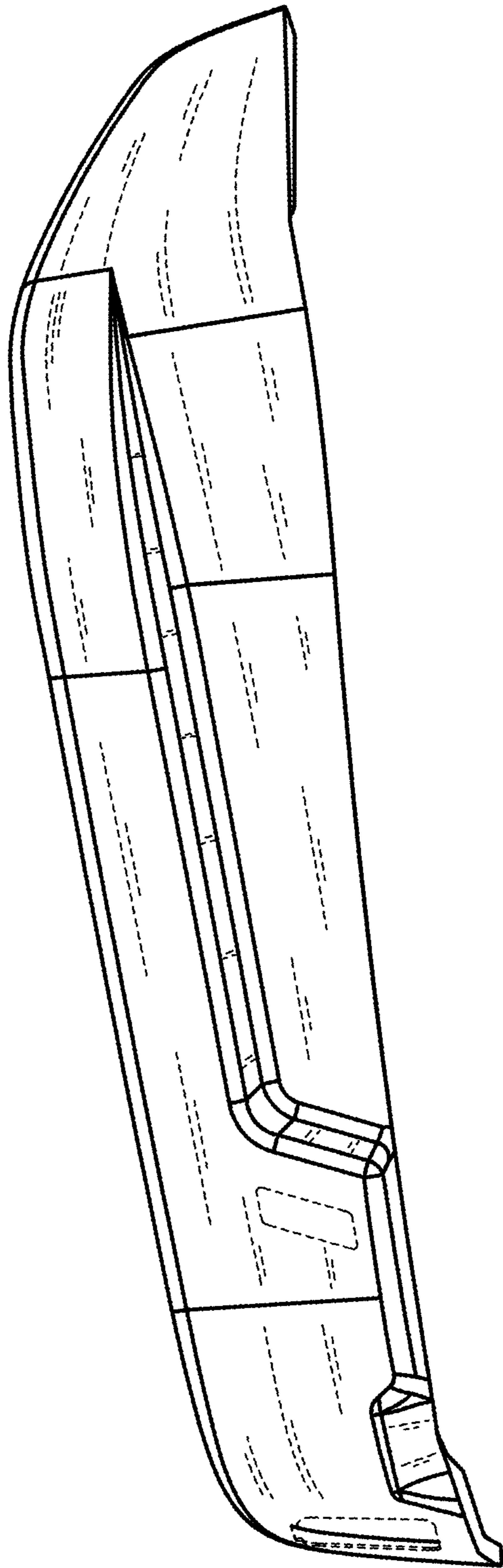


FIG. 10

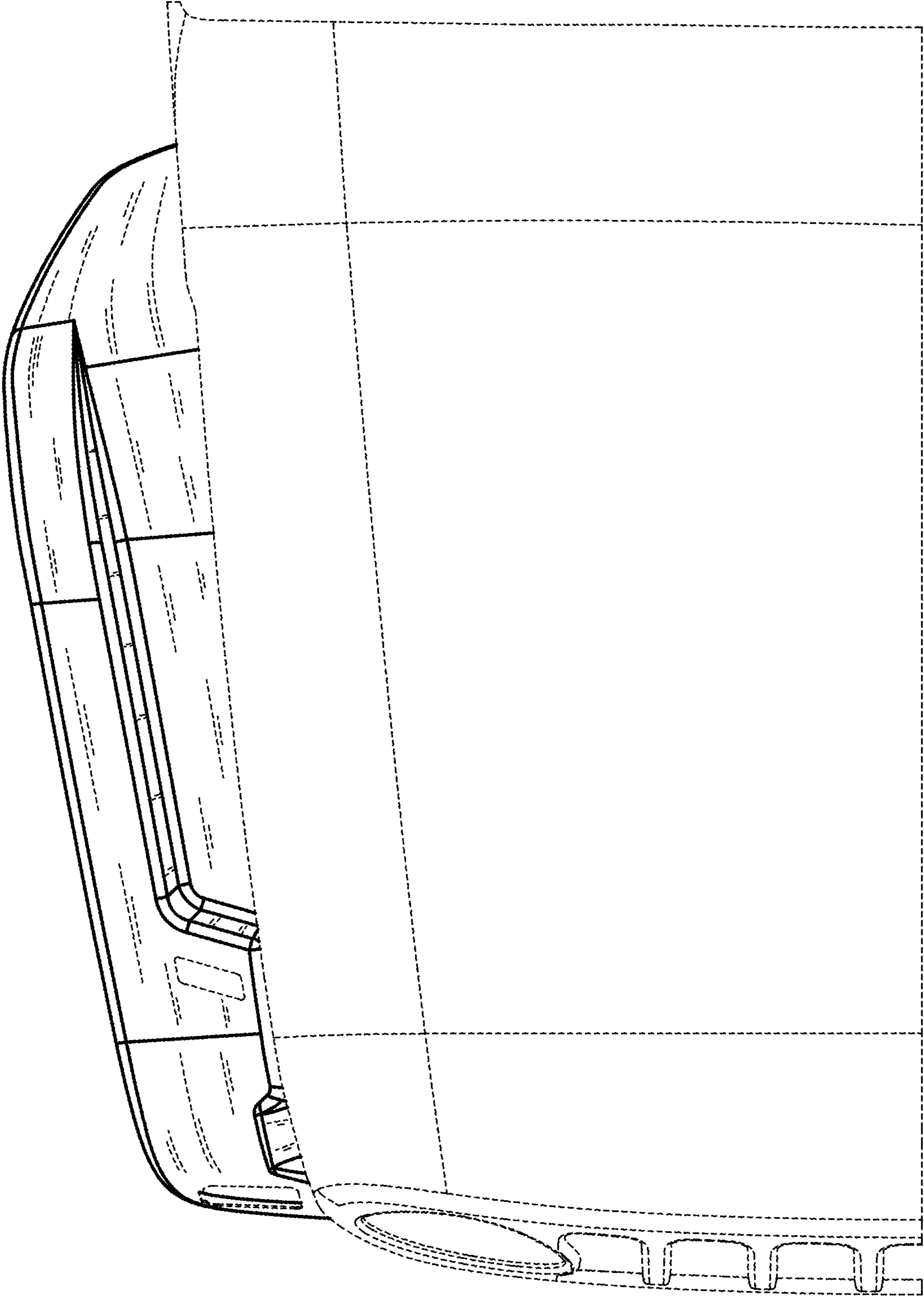


FIG. 11

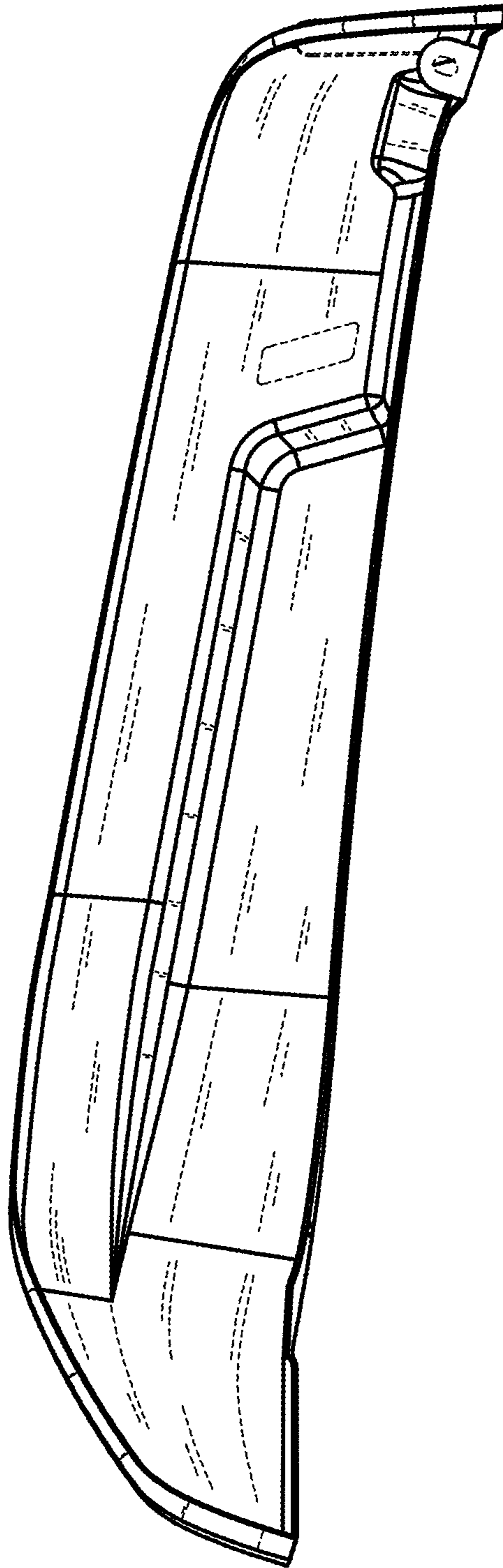


FIG. 12