



US00D935961S

(12) **United States Design Patent** (10) **Patent No.:** **US D935,961 S**
Setina et al. (45) **Date of Patent:** **** Nov. 16, 2021**

(54) **PUSH BUMPER**
(71) Applicant: **J.R. Setina Manufacturing Co.,**
Olympia, WA (US)
(72) Inventors: **Terry L. Setina,** Olympia, WA (US);
Adam Sampson, Tenino, WA (US)
(73) Assignee: **J.R. Setina Manufacturing Co.,**
Olympia, WA (US)

6,905,153 B2 6/2005 Murray et al.
D508,669 S 8/2005 Marchese et al.
D509,466 S 9/2005 Marchese et al.
D517,963 S 3/2006 Potak
7,261,346 B1 8/2007 Kubesh
D551,138 S * 9/2007 Storer D12/171
7,306,270 B2 12/2007 Helms et al.
(Continued)

(**) Term: **15 Years**

FOREIGN PATENT DOCUMENTS

CA 2790363 11/2013

(21) Appl. No.: **29/741,793**

(22) Filed: **Jul. 15, 2020**

OTHER PUBLICATIONS
"PB400 Push Bumpers" Setina., posted date Oct. 10, 2020 [online],
[retrieved on Jul. 27, 2021]. Retrieved from the Internet <URL:https://
setina.com/push-bumpers/400pb/> (Year: 2020).*

(51) **LOC (13) Cl.** **12-16**

(52) **U.S. Cl.**
USPC **D12/171**

(58) **Field of Classification Search**
USPC D12/90-92, 98, 163, 167, 169, 171, 172
CPC B60R 19/52; B60R 2019/522
See application file for complete search history.

(Continued)

Primary Examiner — Darlington Ly
Assistant Examiner — Nasim Abdulaziz Ali
(74) *Attorney, Agent, or Firm* — Klarquist Sparkman,
LLP

(56) **References Cited**

(57) **CLAIM**

U.S. PATENT DOCUMENTS

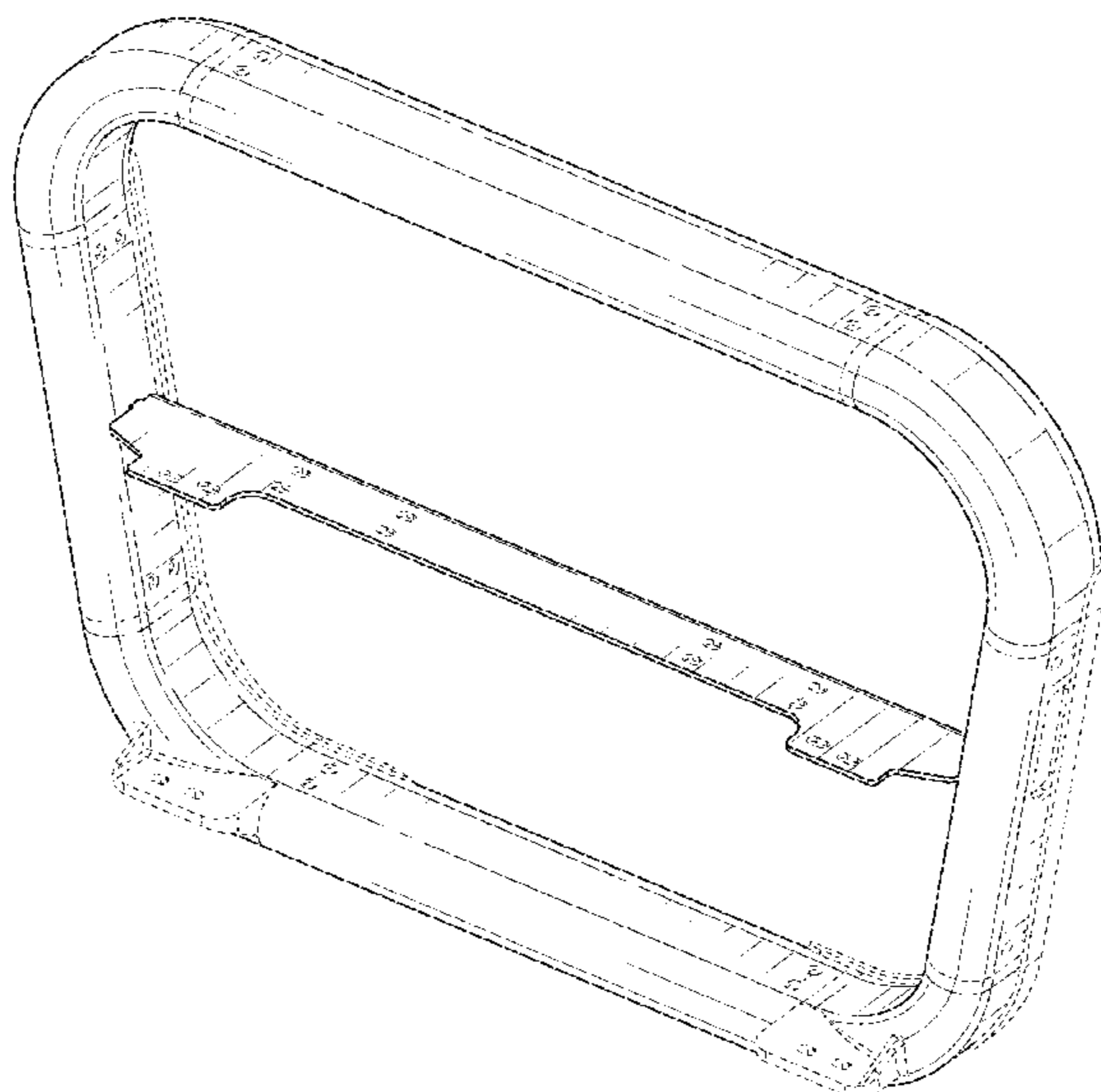
We claim the ornamental design for a push bumper, as shown and described.

- 2,117,519 A 5/1938 Snyder
- 2,142,069 A 12/1938 Colley
- D117,943 S 12/1939 Bahr
- 2,779,620 A 1/1957 Reed
- 3,704,031 A 11/1972 Confer
- 4,018,466 A 4/1977 Norlan
- 4,168,855 A 9/1979 Koch
- D275,475 S 9/1984 Turkleson
- D395,416 S 6/1998 Shklyaver
- 6,113,164 A 9/2000 Setina
- 6,224,120 B1 5/2001 Eipper et al.
- 6,318,773 B2 11/2001 Storer
- D454,817 S 3/2002 McGuinness
- 6,540,277 B2 4/2003 McCoy et al.
- 6,712,410 B2 3/2004 Kudelko et al.
- D497,850 S 11/2004 Dooley
- 6,839,925 B2 1/2005 Myers

DESCRIPTION

FIG. 1 is a top, rear and right side perspective view of the push bumper showing our new design; FIG. 2 is a rear side elevation view thereof; FIG. 3 is a front side elevation view thereof; FIG. 4 is a left side elevation view thereof; FIG. 5 is a right side elevation view thereof; FIG. 6 is a top plan view thereof; and, FIG. 7 is a bottom plan view thereof. The broken line showings of the openings, connection protrusions and pads form no part of the claimed design.

1 Claim, 5 Drawing Sheets



(56)

References Cited

U.S. PATENT DOCUMENTS

7,347,486	B2	3/2008	Uchida et al.	
D575,193	S	8/2008	Hishiki	
D580,322	S	11/2008	Schroeder et al.	
D636,305	S *	4/2011	Alvarez	D12/171
8,585,107	B2	11/2013	Kekich, Jr. et al.	
8,939,478	B2	1/2015	Fisher et al.	
D724,505	S	3/2015	Schroeder et al.	
D743,856	S *	11/2015	Ma	D12/171
D777,618	S *	1/2017	Setina	D12/171
D809,684	S *	2/2018	Wymore	D26/34
D810,639	S *	2/2018	Li	B60R 19/00 D12/171
D823,752	S *	7/2018	Guo	D12/172
D827,520	S *	9/2018	Wu	D12/172
D828,797	S *	9/2018	Guo	D12/171
D830,923	S *	10/2018	Tang	D12/171
D849,614	S *	5/2019	Crowl	D12/171
2001/0024042	A1	9/2001	Usui	
2004/0135385	A1	7/2004	Murray et al.	
2006/0113805	A1	6/2006	Wakefield	
2011/0006553	A1	1/2011	Fretz et al.	
2011/0233946	A1	9/2011	Pellmann et al.	
2012/0205965	A1	8/2012	Kuan et al.	
2013/0000493	A1	2/2013	Kekich, Jr. et al.	
2013/0049384	A1 *	2/2013	Kekich, Jr.	B60R 19/52 293/115
2013/0134724	A1 *	5/2013	Fisher	B60R 19/54 293/142

OTHER PUBLICATIONS

“Dee Zee®—Black Push Bar” Chillafish., posted date Aug. 20, 2020 [online], [retrieved on Jul. 27, 2021]. Retrieved from the Internet <URL:https://www.carid.com/2018-ford-f-150-grill-guards/dee-zee-bumper-guard-main-center-4029890233.html> (Year: 2020).*

“Westin 362015 Push Bumper” Westin., posted date May 14, 2012 [online], [retrieved on Jul. 27, 2021]. Retrieved from the Internet <URL:https://www.amazon.com/Westin-36-2015-362015-Push-Bumper/dp/B00GPNQBMM/ref=sr_1_1?dchild=1&keywords=push+bumper&qid=1627425366&sr=8-1> (Year: 2012).*

“Aries Big Horn Bull Bar.” Real Truck website., Customer Reviewed since Dec. 20, 2009 [online], [retrieved on Apr. 29, 2016]. Retrieved from the Internet <URL: https://www.realtruck.com/aries-big-horn-bull-bar/>.

“Outland Bull Bars.” Real Truck website., Customer Reviewed since Oct. 23, 2012 [online], [retrieved on Apr. 29, 2016]. Retrieved from the Internet <URL: https://www.realtruck.com/outland-bull-bars/>.

“SsangYong Kyron Accessories 2007 on: Misutonida 4x4.” 2005/66/EC European Directive., Jul. 31, 2008 [online], [retrieved on Apr. 29, 2016]. Retrieved from the Internet <URL: http://www.4x4ni.com/dat/ec-sb-211-ix-kyron-front-bar-mach.pdf>.

* cited by examiner

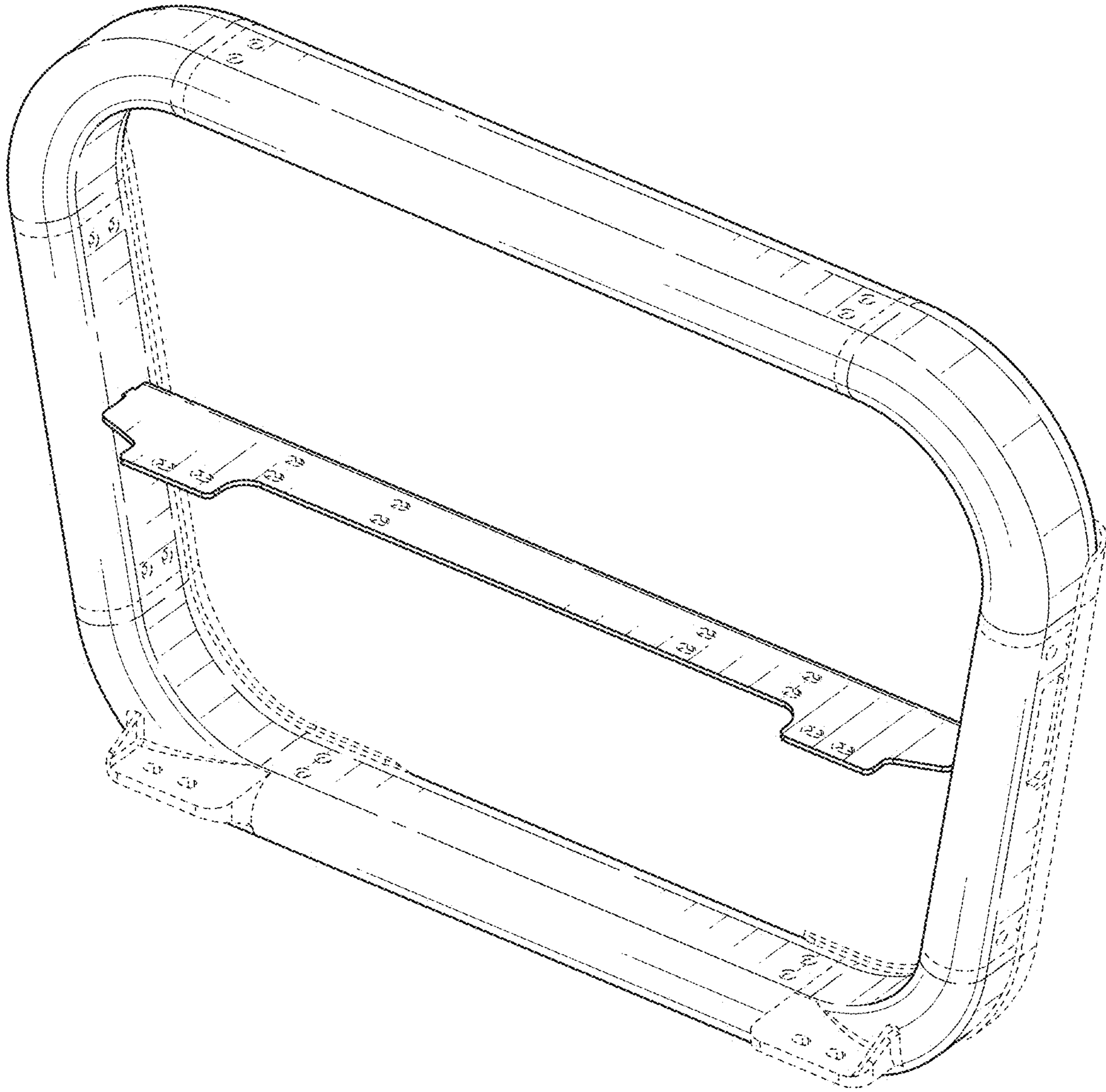


FIG. 1

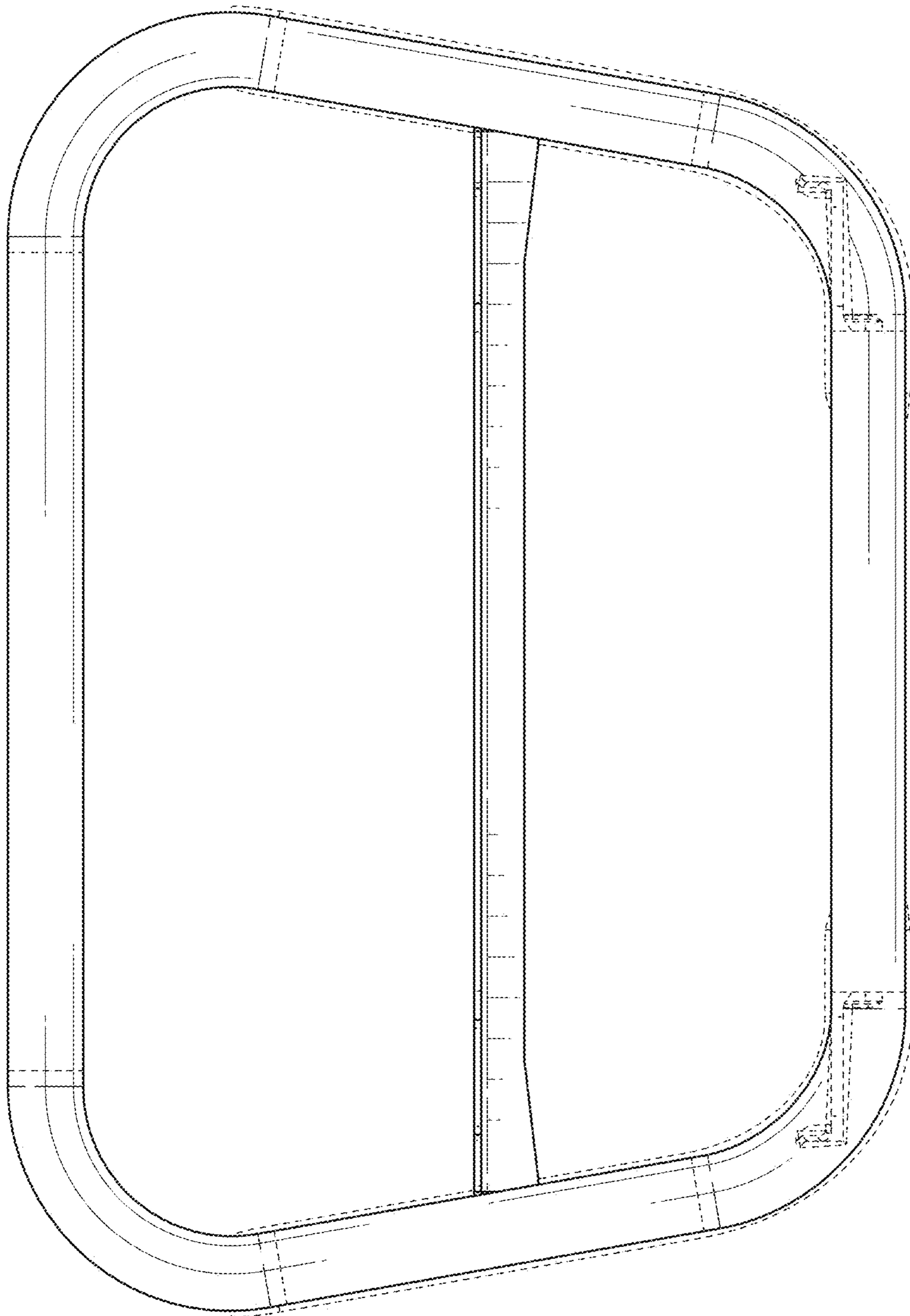


FIG. 2

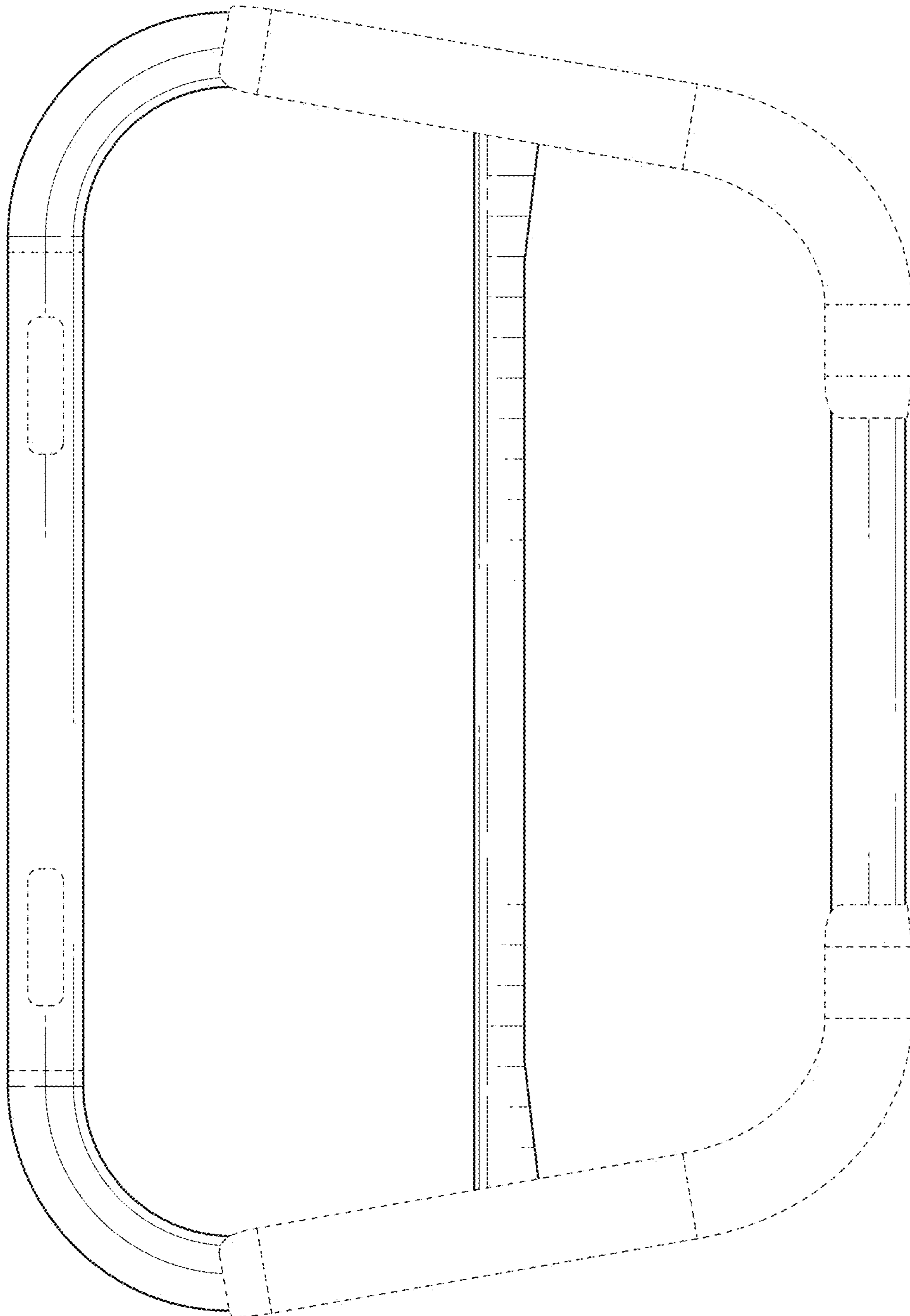


FIG. 3

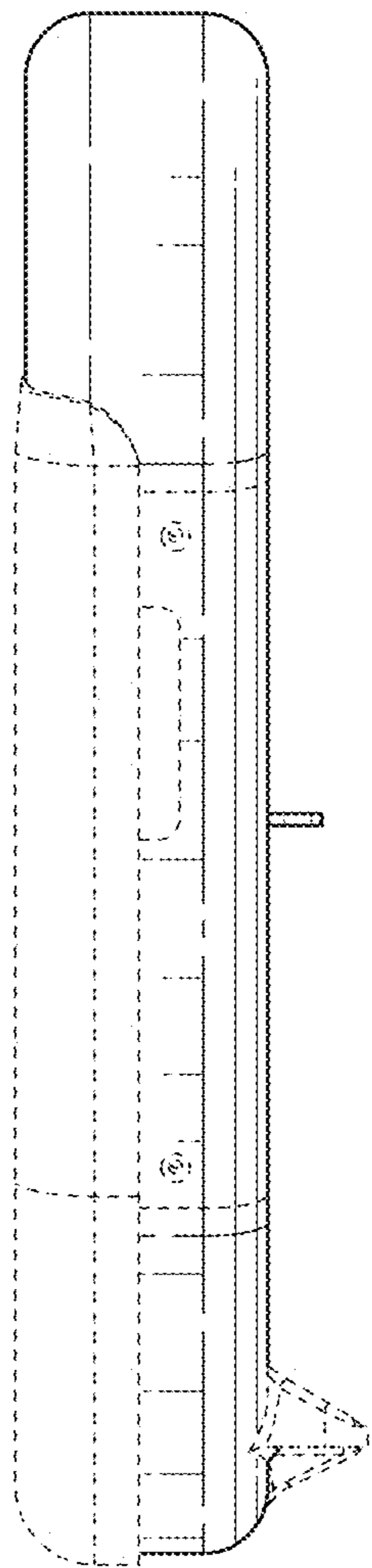


FIG. 4

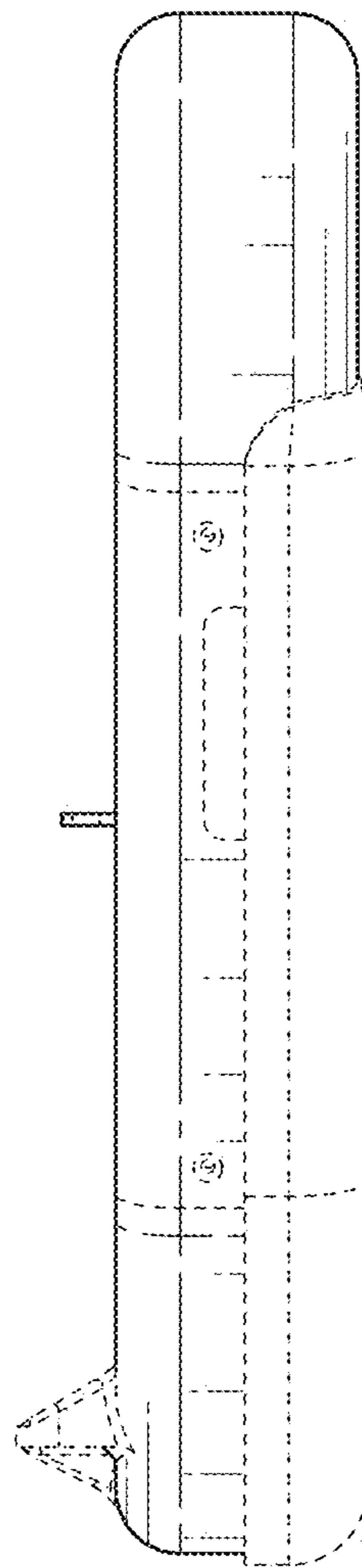


FIG. 5

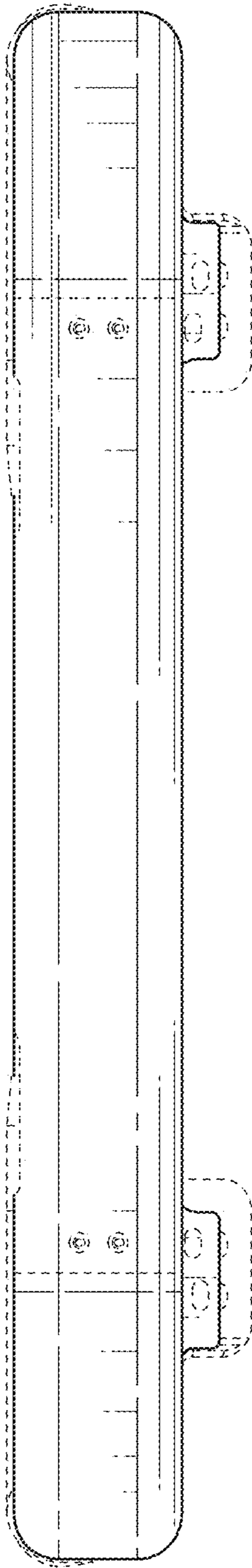


FIG. 6

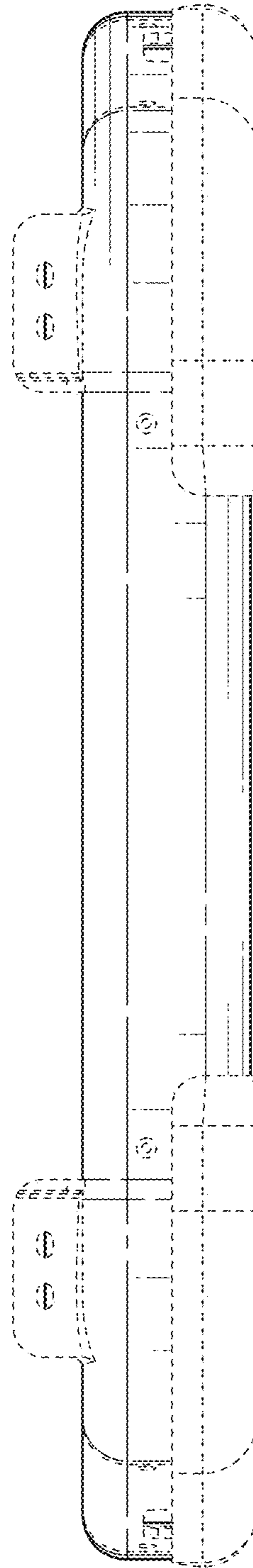


FIG. 7