



US00D935953S

(12) **United States Design Patent**
Zeng

(10) **Patent No.:** **US D935,953 S**

(45) **Date of Patent:** **** Nov. 16, 2021**

(54) **AUTOMOBILE BUMPER**

(71) Applicant: **Arex Industries, Inc.**, Irwindale, CA
(US)

(72) Inventor: **Cheng Zeng**, Chengdu (CN)

(**) Term: **15 Years**

(21) Appl. No.: **29/724,220**

(22) Filed: **Feb. 13, 2020**

(51) **LOC (13) Cl.** **12-16**

(52) **U.S. Cl.**
USPC **D12/169**

(58) **Field of Classification Search**
USPC ... D12/1, 14, 82, 85, 86, 87, 88, 89, 90, 91,
D12/92, 93, 96, 97, 98, 99, 163, 164,
D12/165, 167, 169, 170, 171, 172, 181,
D12/184, 185, 190, 196, 223, 400;
D21/533, 548, 552, 561

CPC B60R 19/02; B60R 19/04; B60R 19/18;
B60R 19/24; B60R 19/44; B60R 19/48;
B60R 19/56; B60R 2019/007; B60R
2019/527; B60R 2019/1886; B62D 25/08
See application file for complete search history.

(56) **References Cited**

U.S. PATENT DOCUMENTS

D360,865 S * 8/1995 Hanson D12/169
D454,098 S * 3/2002 McGuinness D12/171

D455,988 S * 4/2002 McGuinness D12/171
D751,012 S * 3/2016 Hare D12/171
D792,817 S * 7/2017 McMath D12/171
D879,686 S * 3/2020 Marshall D12/171
D888,628 S * 6/2020 Bennett D12/171
D892,004 S * 8/2020 Li D12/169
D892,005 S * 8/2020 Marshall D12/169
D894,803 S * 9/2020 DiCanzio D12/169

FOREIGN PATENT DOCUMENTS

CN 110682878 A * 1/2020

* cited by examiner

Primary Examiner — Christian P. McLean

Assistant Examiner — Adam C Mager

(74) *Attorney, Agent, or Firm* — Theodore S. Lee, Esq.

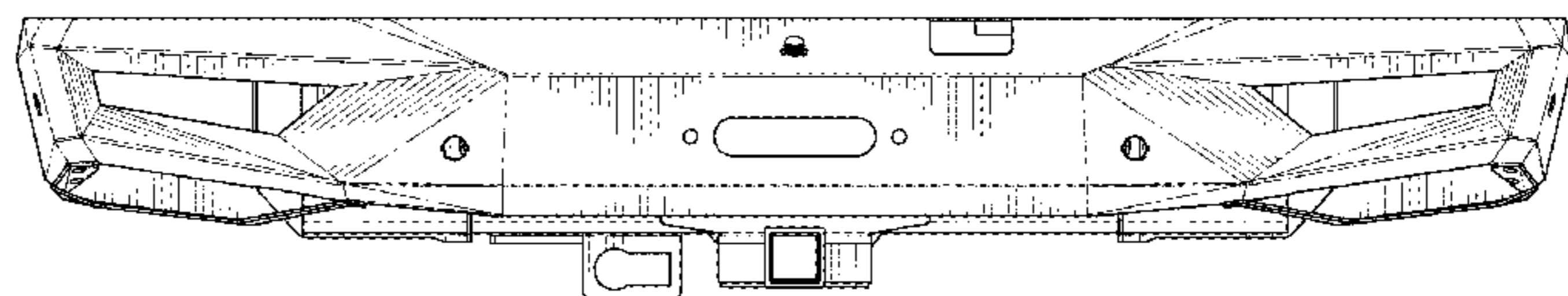
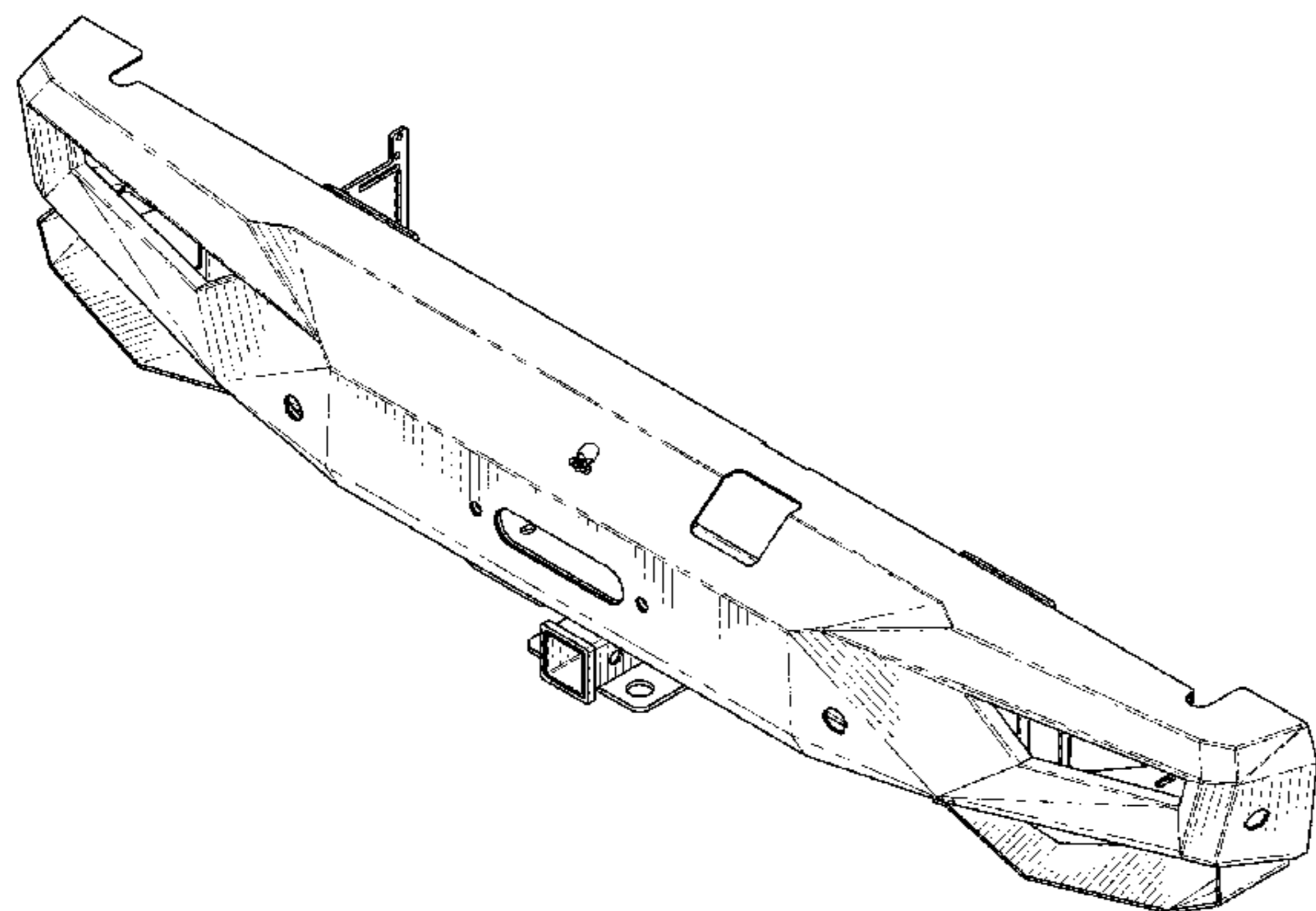
(57) **CLAIM**

The ornamental design for an automobile bumper, as shown and described.

DESCRIPTION

FIG. 1 is a perspective view of an automobile bumper according to the novel design;
FIG. 2 is front view thereof;
FIG. 3 is a back view thereof;
FIG. 4 is a right side view thereof;
FIG. 5 is a left side view thereof;
FIG. 6 is a top view thereof; and,
FIG. 7 is a bottom view thereof.

1 Claim, 5 Drawing Sheets



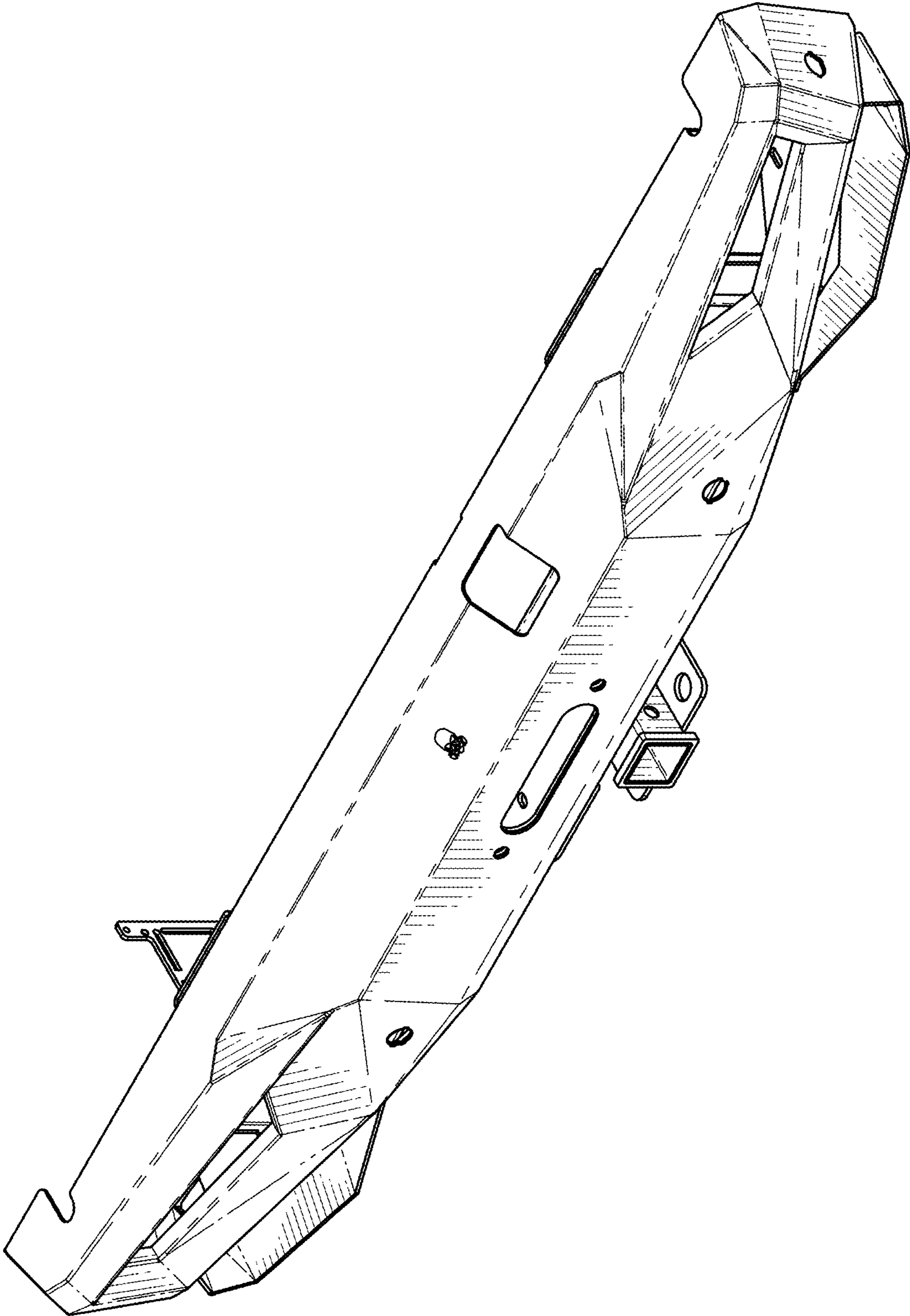


FIG. 1

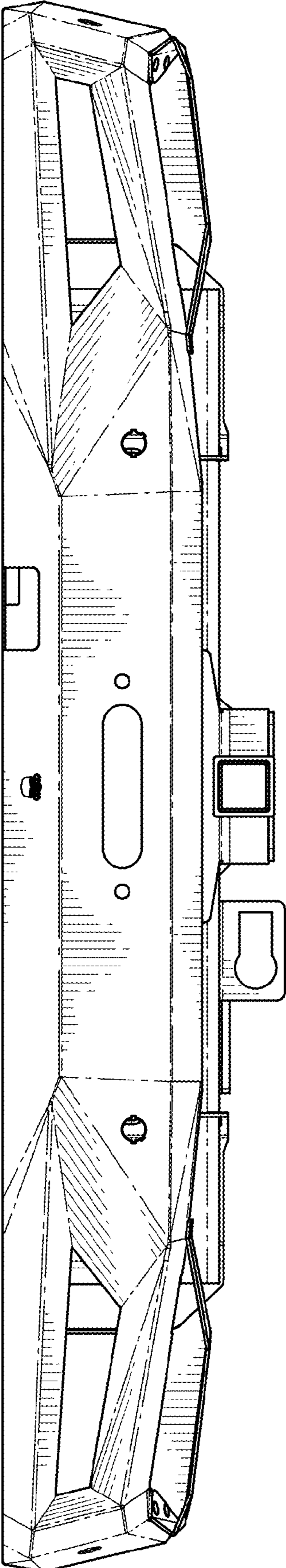


FIG. 2

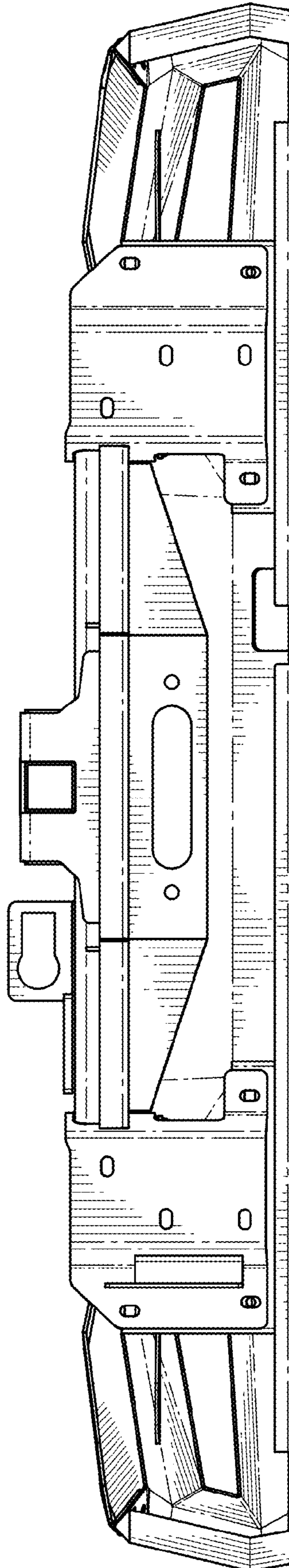


FIG. 3

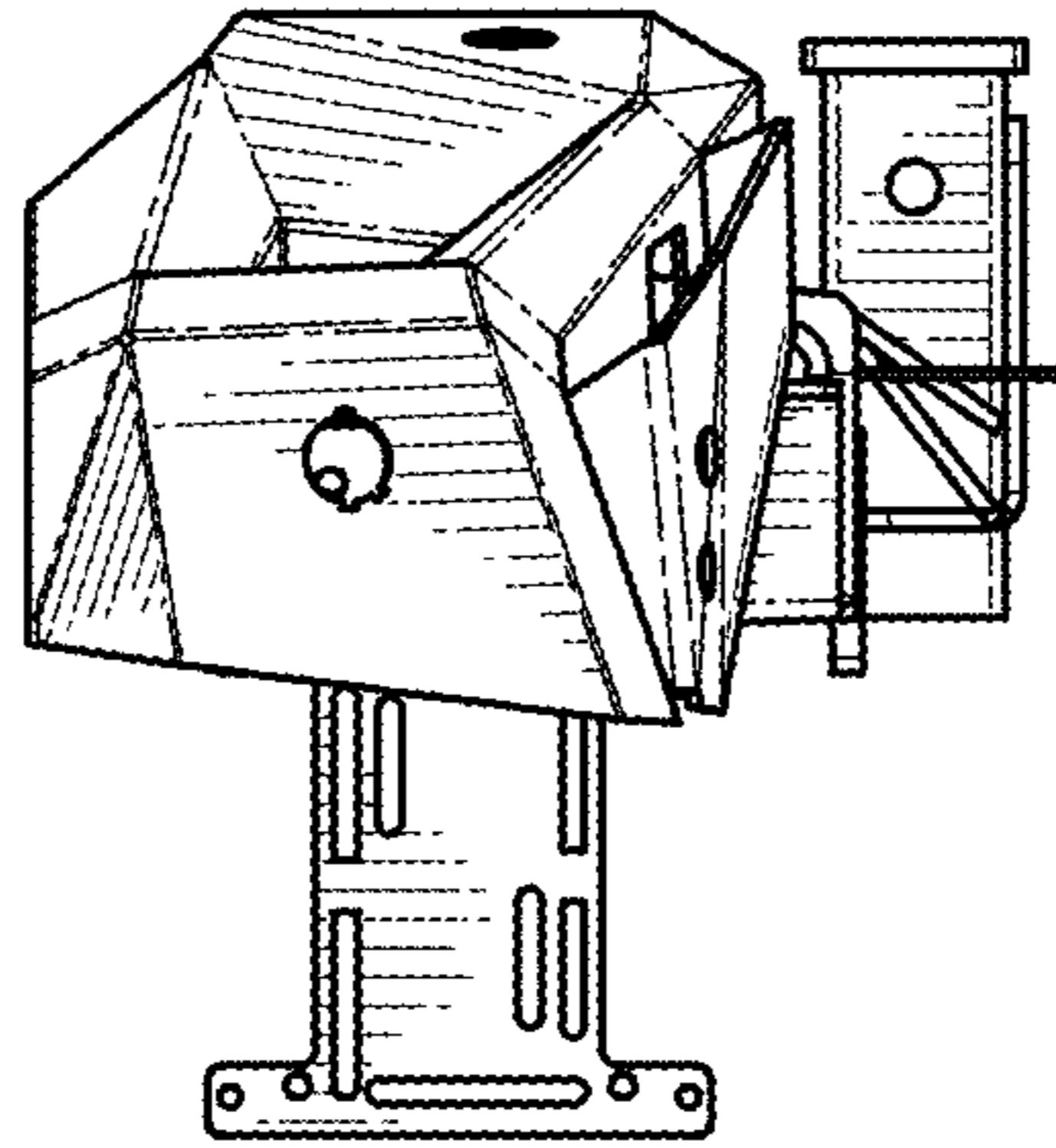


FIG. 5

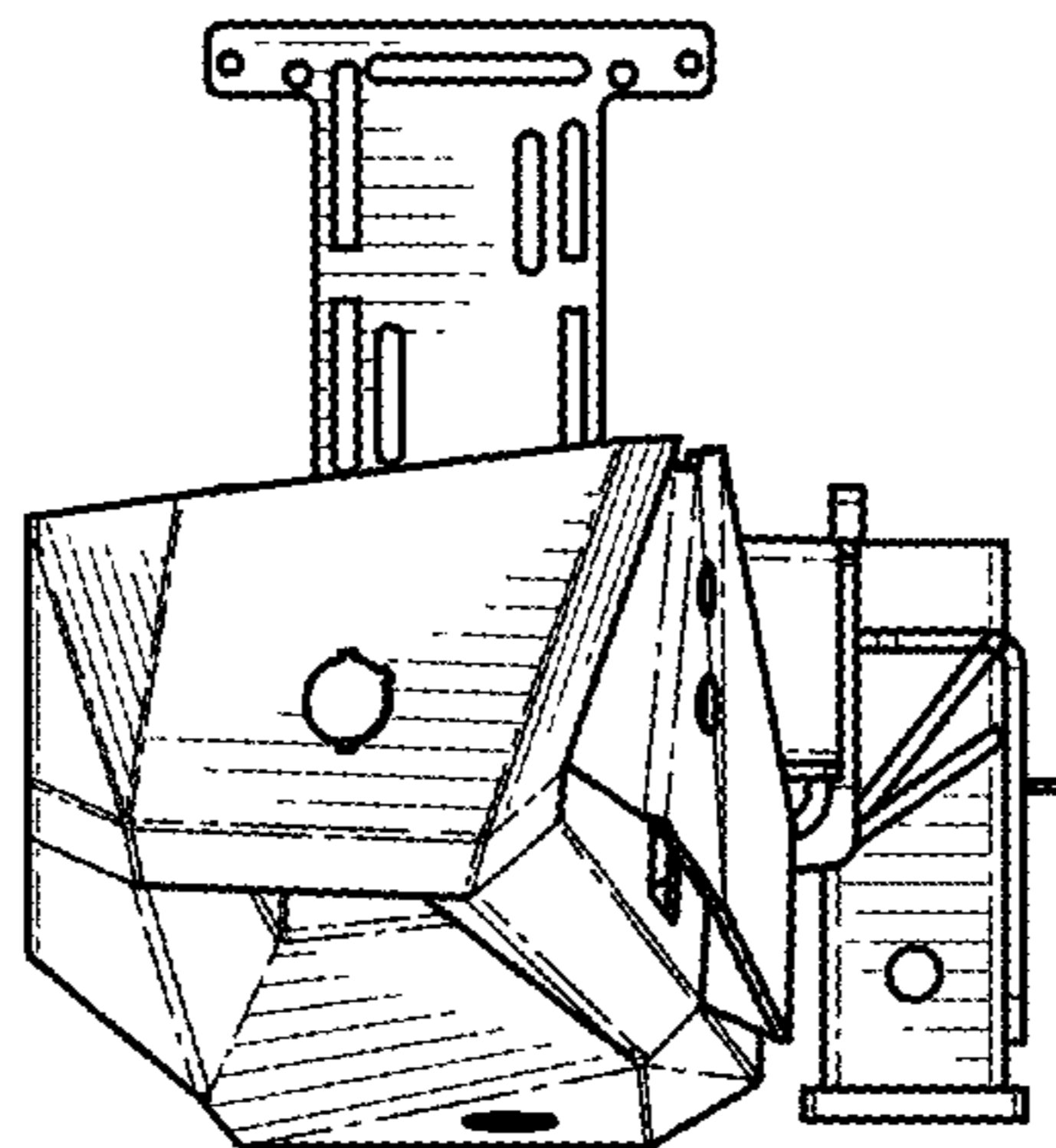


FIG. 4

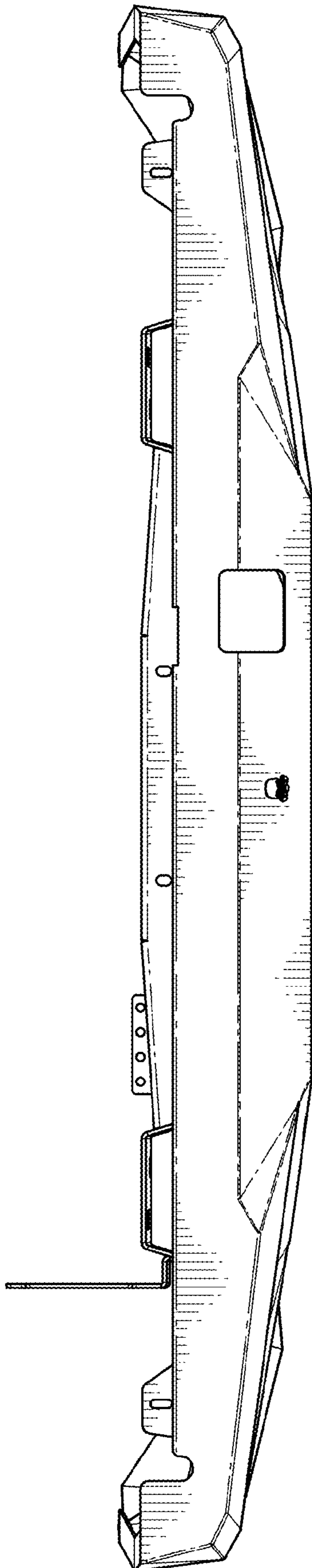


FIG. 6

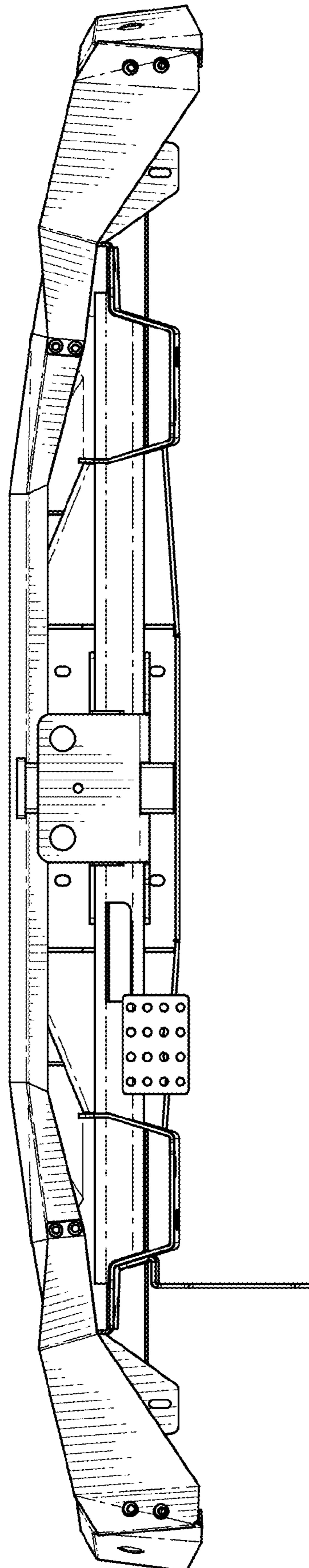


FIG. 7