



US00D935950S

(12) **United States Design Patent**  
**Hu**

(10) **Patent No.:** **US D935,950 S**

(45) **Date of Patent:** **\*\* Nov. 16, 2021**

- (54) **BICYCLE**
- (71) Applicant: **Manmei Hu**, Hengnan (CN)
- (72) Inventor: **Manmei Hu**, Hengnan (CN)
- (\*\*) Term: **15 Years**
- (21) Appl. No.: **29/764,627**
- (22) Filed: **Dec. 31, 2020**
- (51) **LOC (13) Cl.** ..... **12-11**
- (52) **U.S. Cl.**  
USPC ..... **D12/111**
- (58) **Field of Classification Search**  
USPC ..... D12/111, 117; D21/412, 414, 419,  
D21/423-428  
CPC ..... B62K 3/00; B62K 3/02; B62K 3/06  
See application file for complete search history.

- 8,844,952 B2 \* 9/2014 Chen ..... B62K 9/00  
280/87.021
  - D721,990 S 2/2015 Lugo
  - 8,967,641 B2 \* 3/2015 Roeck ..... B62K 13/08  
280/87.021
  - D735,620 S 8/2015 Pape
  - D791,022 S \* 7/2017 Lam, VI ..... D12/111
  - D803,728 S 11/2017 Kamler et al.
  - D804,365 S 12/2017 Wunderlin
  - D804,366 S 12/2017 Wunderlin
  - D825,395 S 8/2018 Gafni
- (Continued)

(56) **References Cited**

**U.S. PATENT DOCUMENTS**

- 4,730,840 A \* 3/1988 Goldmeier ..... B62H 1/12  
280/210
- D400,826 S \* 11/1998 Accerenzi ..... D12/111
- D410,416 S \* 6/1999 Huang ..... D12/111
- 5,909,896 A \* 6/1999 Accerenzi ..... B62J 17/00  
280/828
- 6,086,081 A \* 7/2000 Huang ..... B62K 9/00  
280/288.4
- D430,823 S \* 9/2000 Nakai ..... D12/111
- D450,014 S \* 11/2001 Chiappetta ..... D12/111
- D450,630 S \* 11/2001 Chiappetta ..... D12/111
- D500,713 S \* 1/2005 Gunter ..... D12/111
- D558,647 S \* 1/2008 Seckel ..... D12/111
- D614,538 S \* 4/2010 Rochon ..... D12/111
- D659,597 S 5/2012 Chen
- 8,414,007 B2 \* 4/2013 Chen ..... B62K 9/00  
280/278
- D696,983 S \* 1/2014 Bisges ..... D12/111
- 8,794,654 B1 \* 8/2014 Chen ..... B62K 9/00  
280/287

**OTHER PUBLICATIONS**

Eric Awwy. "Qiani Convertible Balance Bike." Kidding Zone., Apr. 23, 2021 [online], [retrieved on Jul. 25, 2021], Retrieved from the Internet <URL: <https://kiddingzone.com/qiani-balance-bike-review>>.\*

(Continued)

*Primary Examiner* — Darlington Ly

(74) *Attorney, Agent, or Firm* — Runit Ranjit Kanakia

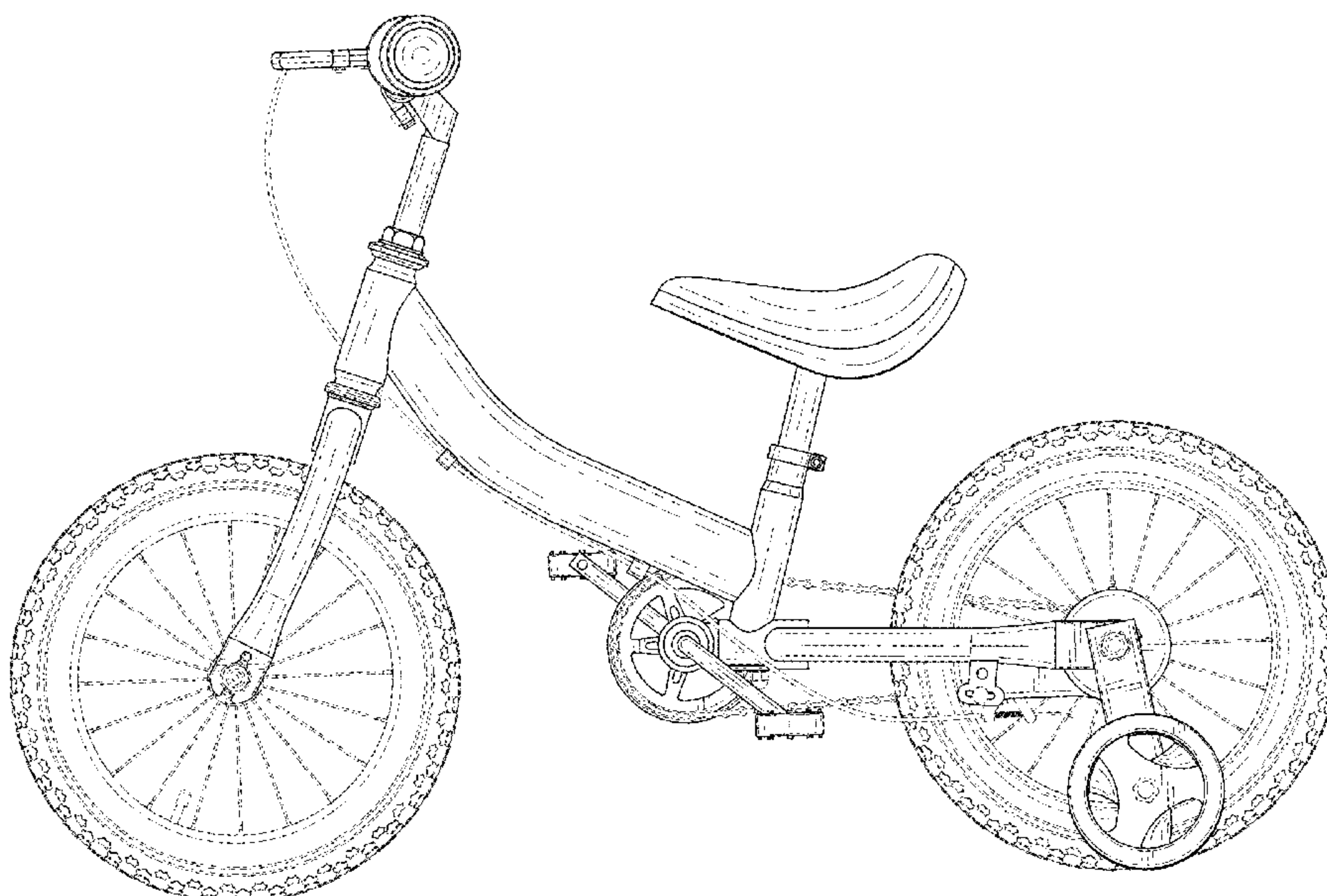
(57) **CLAIM**

The ornamental design for a bicycle, as shown and described.

**DESCRIPTION**

FIG. 1 is a left side elevation view of a bicycle embodying my new design;  
FIG. 2 is a right side elevation view thereof;  
FIG. 3 is a front elevation view thereof;  
FIG. 4 is a rear elevation view thereof;  
FIG. 5 is a top plan view thereof;  
FIG. 6 is a bottom plan view thereof; and,  
FIG. 7 is a top, rear, and left side perspective view thereof.  
The broken lines illustrate portions of the bicycle that form no part of the claimed design.

**1 Claim, 7 Drawing Sheets**



(56)

**References Cited**

U.S. PATENT DOCUMENTS

D829,610 S \* 10/2018 Liu ..... D12/111  
D842,168 S 3/2019 Garklavs  
D846,449 S \* 4/2019 Song ..... D12/111  
10,300,974 B1 \* 5/2019 O'Reilly ..... B62H 7/00  
D864,796 S 10/2019 Grossjohann  
D887,904 S \* 6/2020 Li ..... D12/111  
D900,681 S \* 11/2020 Liu ..... D12/111  
2016/0001843 A1 \* 1/2016 Evans ..... B62K 13/08  
280/7.17

OTHER PUBLICATIONS

Yuvraj Rajyadhayksh. "Review: Qiani Balance Bike for Kids 2 to 7 Years Old." Balance Cycles., May 29, 2021 [online], [retrieved on Jul. 25, 2021], Retrieved from the Internet <URL: <https://www.balancecycles.com/post/review-qiani-balance-bike-for-kids-2-to-7-years-old>>.\*

"Qiani Balance Bike 2 in 1 for Toddlers, Kids 2 3 4 5 6 7 Years Old, Balance to Pedals Bike, . . ." Amazon., Mar. 15, 2021 [online], [retrieved on Jul. 25, 2021], Retrieved from the Internet <URL: <https://www.amazon.com/Qiani-Balance-Toddlers-Pedals-Training/dp/B08HHJ5GXP?&linkCode=sl1&tag=ainbowzaffili-20&link>>.\*

\* cited by examiner

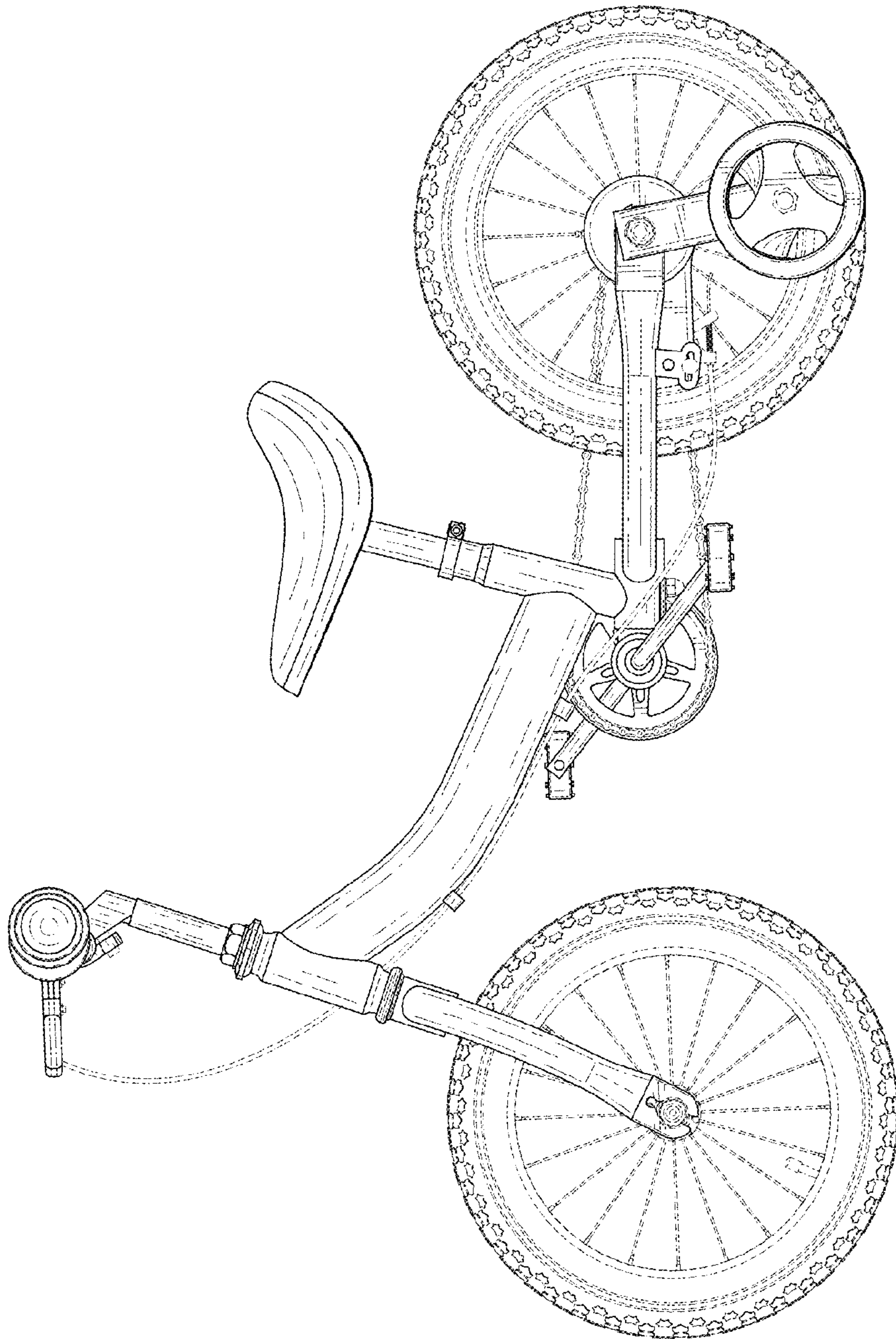


Fig. 1



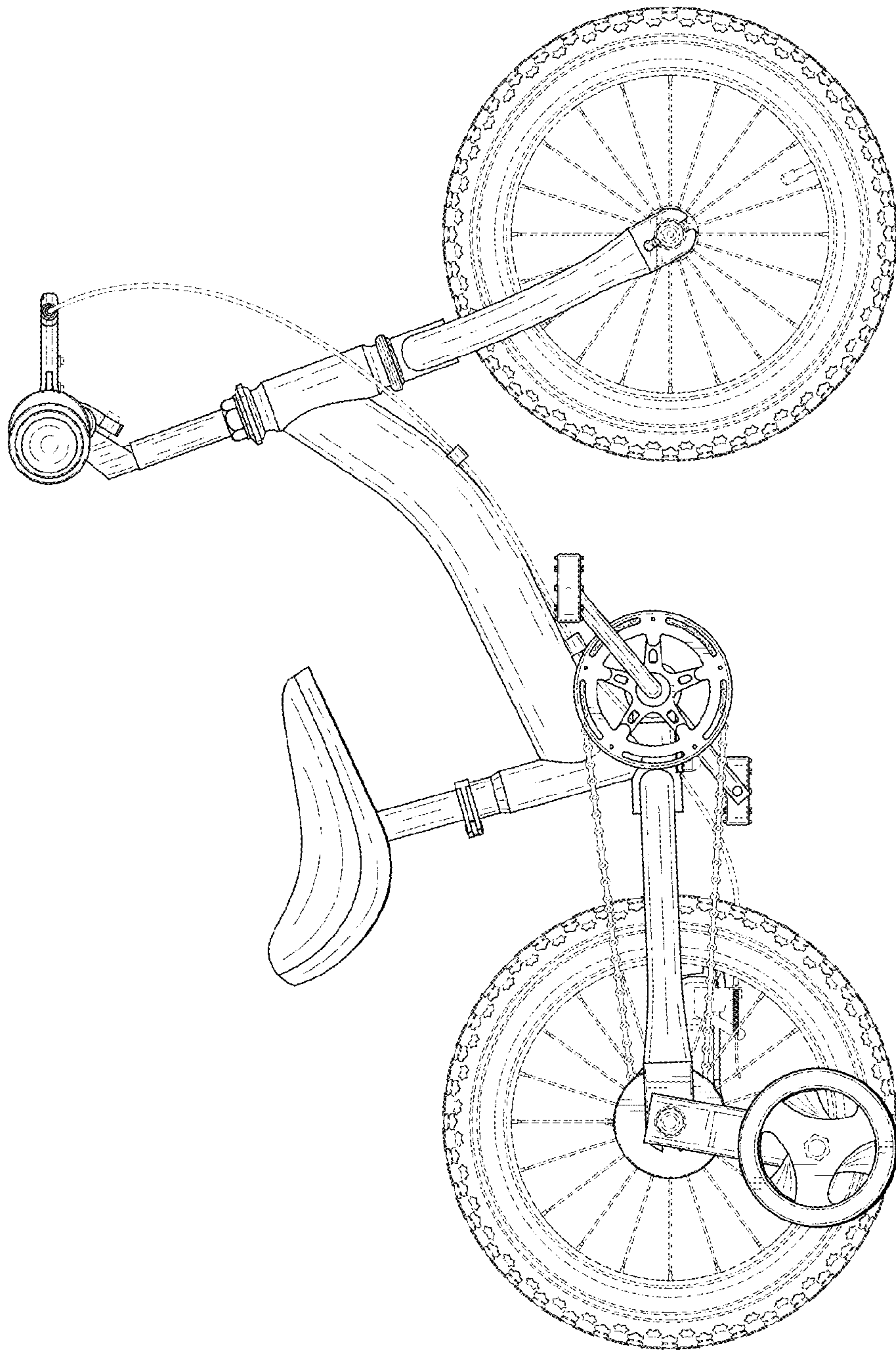


Fig.2

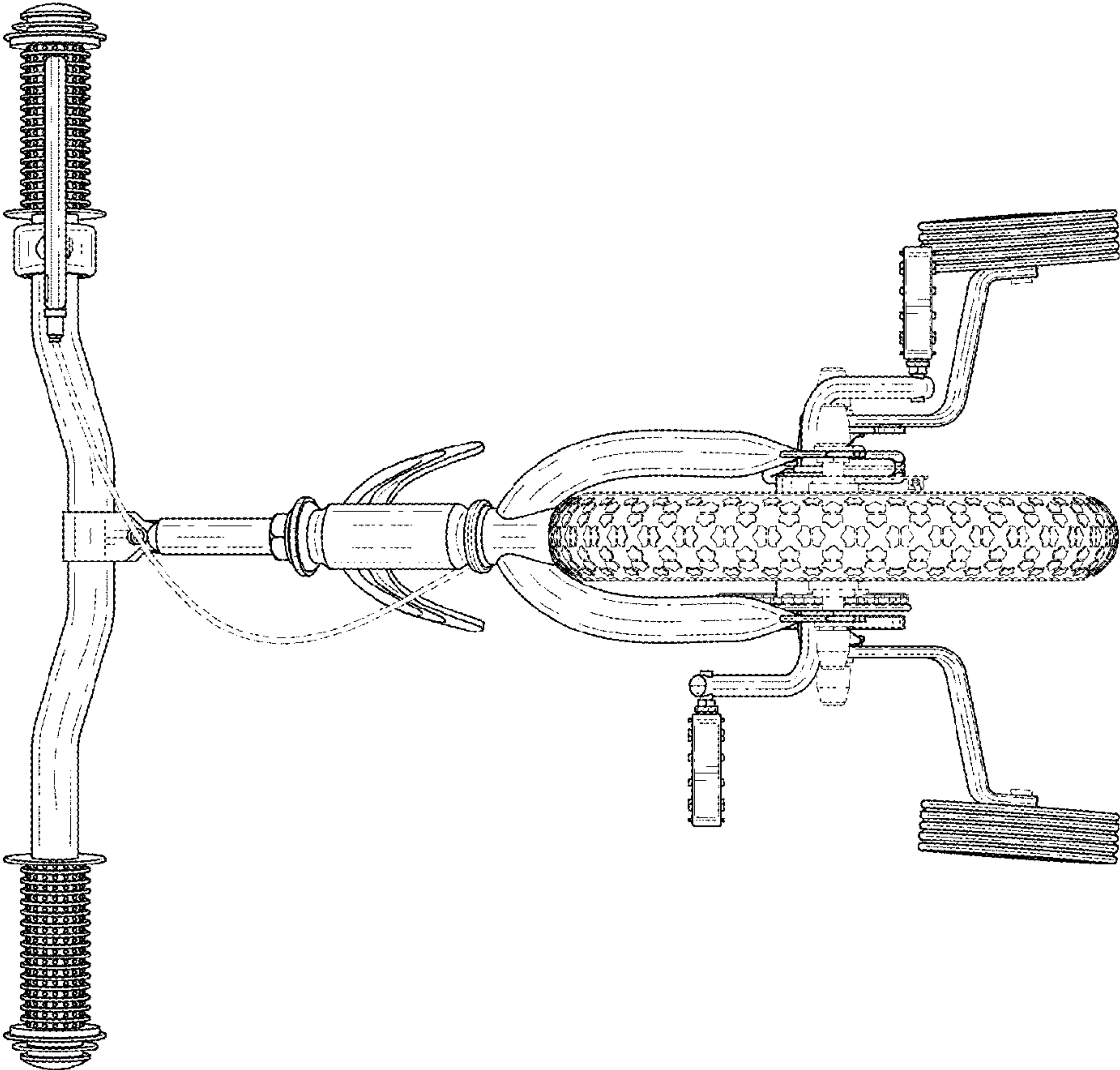


Fig.3

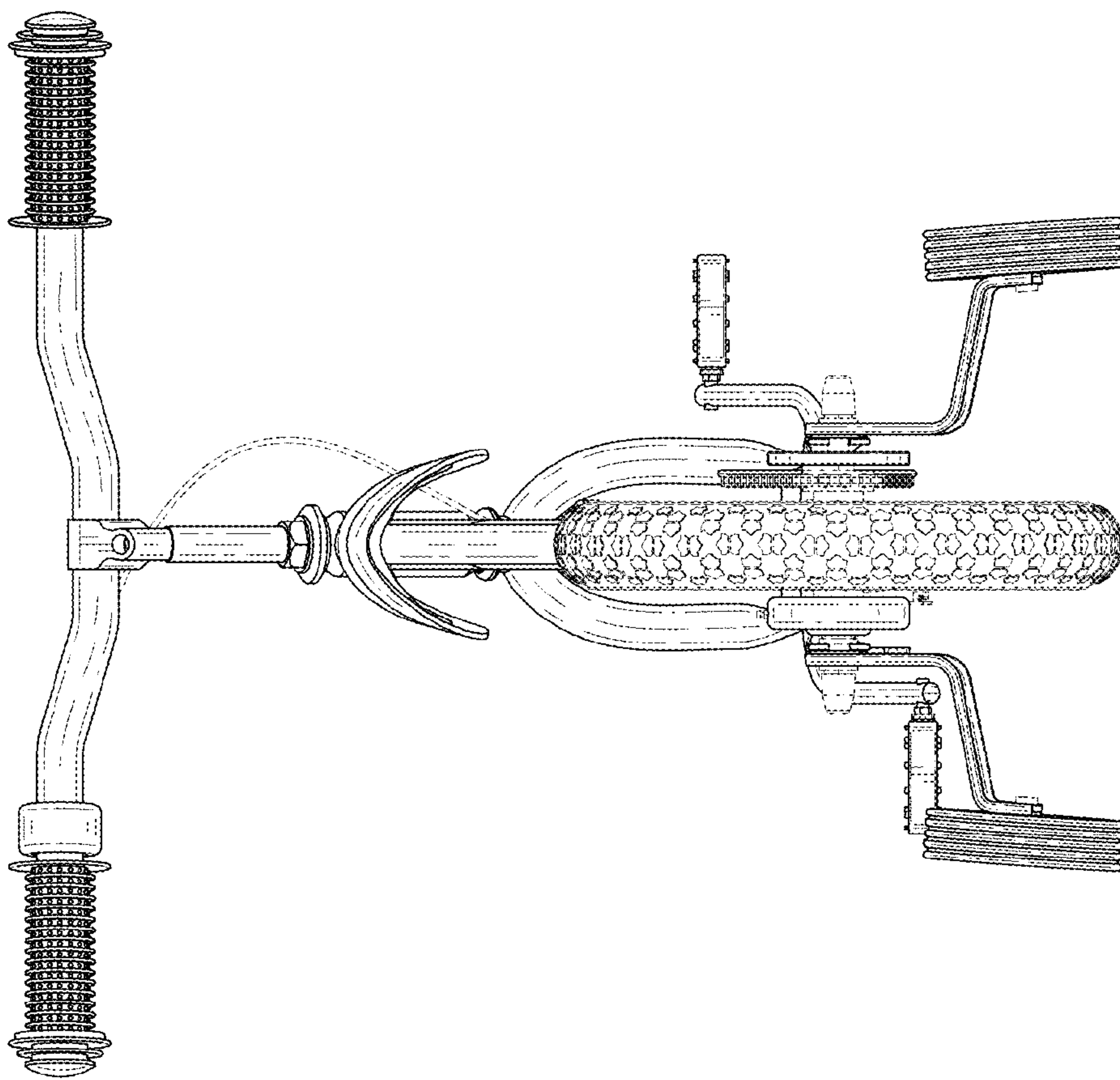


Fig.4

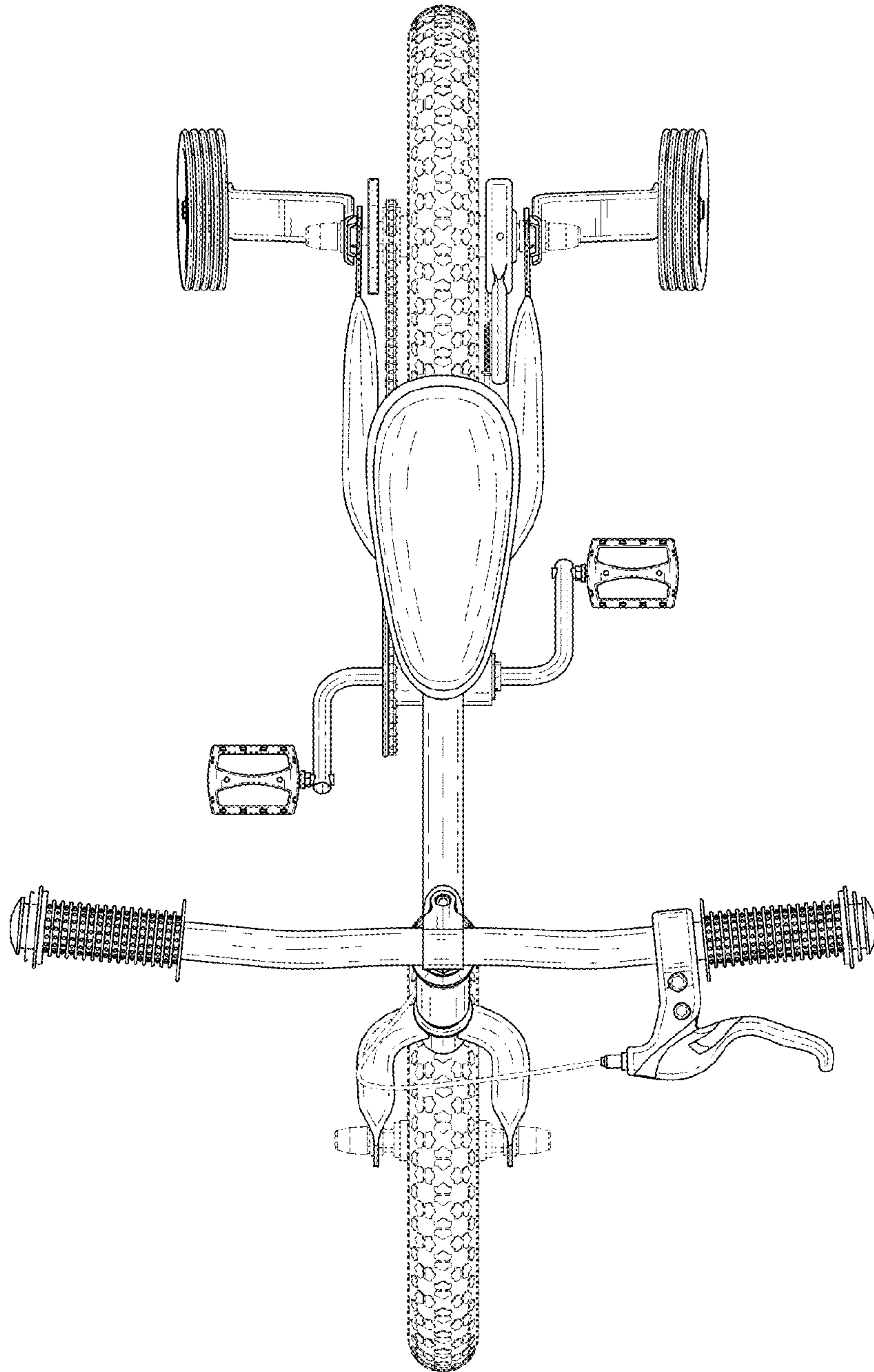


Fig.5



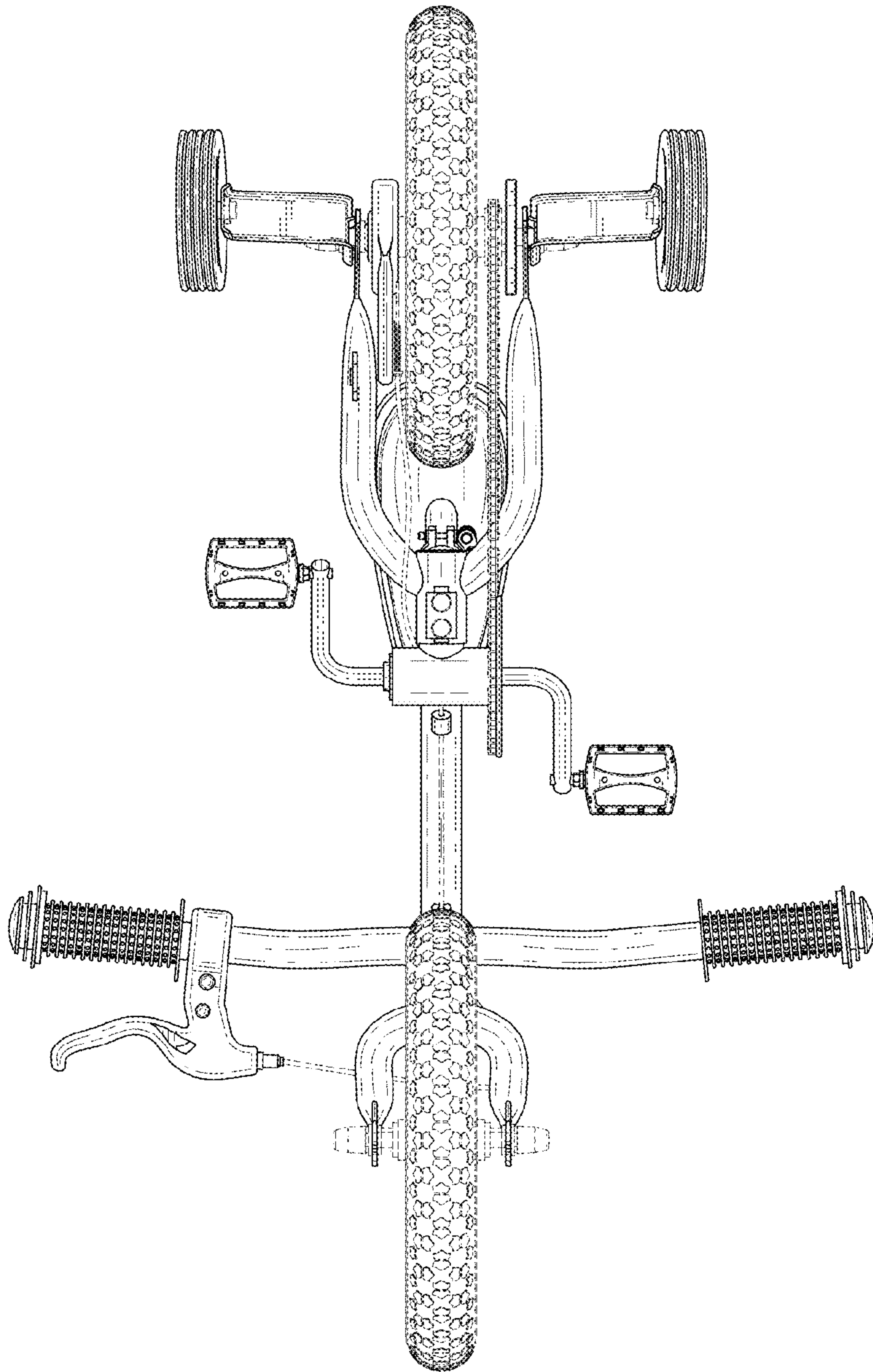


Fig.6



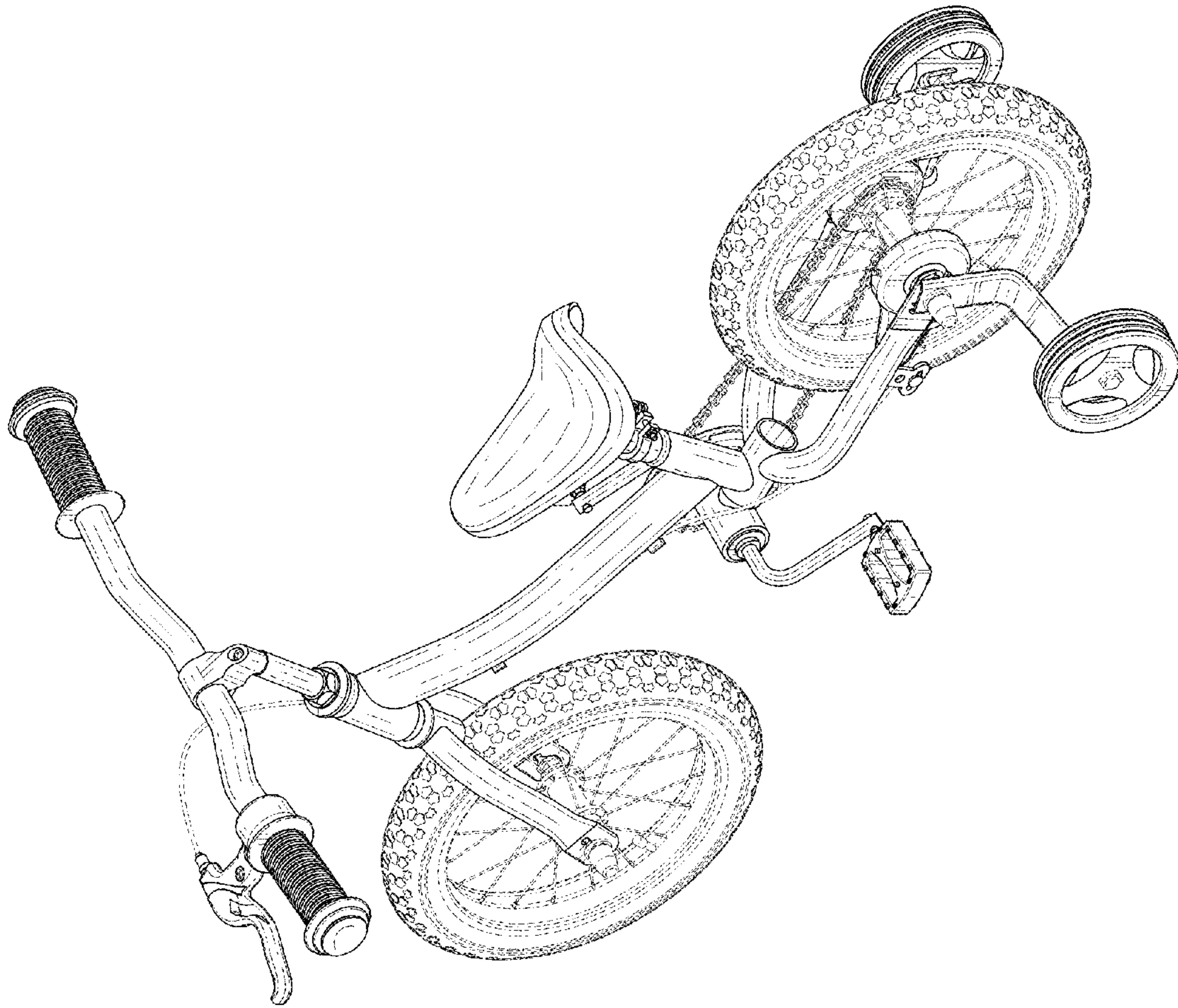


Fig.7