



US00D935948S

(12) **United States Design Patent** (10) **Patent No.:** **US D935,948 S**
Stafford et al. (45) **Date of Patent:** **** Nov. 16, 2021**

(54) **BICYCLE FRAME**
(71) Applicant: **Specialized Bicycle Components, Inc.**,
Morgan Hill, CA (US)
(72) Inventors: **James Michael Stafford**, Gilroy, CA
(US); **Jason Scott McDonald**, San
Jose, CA (US)
(73) Assignee: **SPECIALIZED BICYCLE**
COMPONENTS, INC., Morgan Hill,
CA (US)

D802,487 S * 11/2017 Petrov D12/111
D858,359 S * 9/2019 Lentz D12/111
D865,574 S * 11/2019 Russell D12/111
D885,986 S * 6/2020 Chan D12/111
D904,234 S * 12/2020 von Schoning D12/111
D906,890 S * 1/2021 Duez D12/111
D906,893 S * 1/2021 Lin D12/111

(Continued)

FOREIGN PATENT DOCUMENTS

IN 327227-001-0001 * 2/2020

OTHER PUBLICATIONS

“SIR 9” Niner Bikes., posted date Jan. 29, 2019 [online], [retrieved
on Mar. 25, 2021]. Retrieved from the Internet <URL:https://
ninerbikes.com/products/sir-9> (Year: 2019).*

(Continued)

Primary Examiner — Darlington Ly
Assistant Examiner — Nasim Abdulaziz Ali
(74) *Attorney, Agent, or Firm* — Michael Best &
Friedrich LLP

(**) Term: **15 Years**
(21) Appl. No.: **29/730,992**
(22) Filed: **Apr. 10, 2020**
(51) **LOC (13) Cl.** **12-11**
(52) **U.S. Cl.**
USPC **D12/111**
(58) **Field of Classification Search**
USPC D12/111, 117; D21/412, 414, 419,
D21/423–428, 431–435
CPC ... B62K 3/00; B62K 3/02; B62K 3/06; B62K
9/00; B62K 19/14
See application file for complete search history.

(57) **CLAIM**

We claim the ornamental design for a bicycle frame, as
shown and described.

(56) **References Cited**

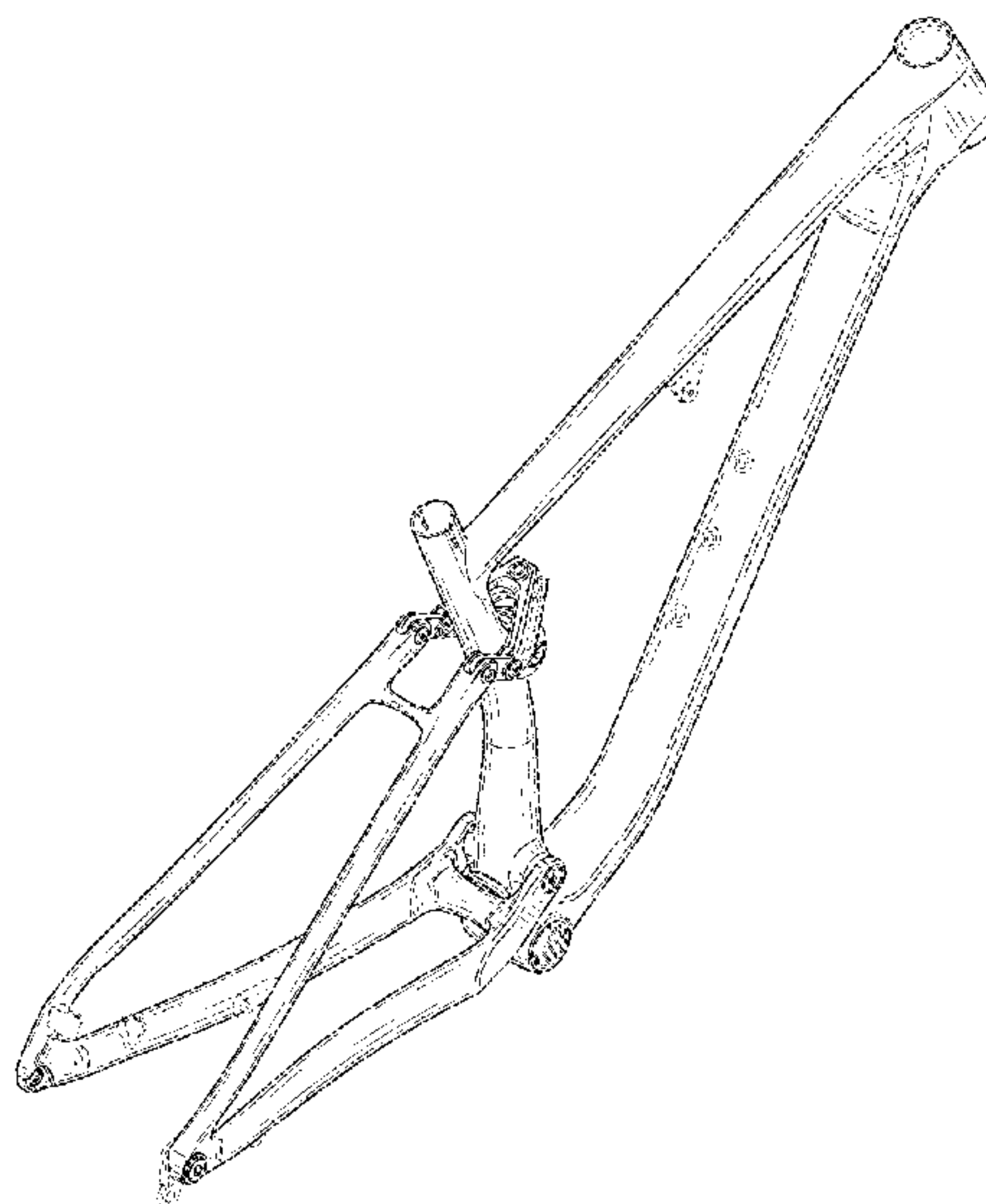
DESCRIPTION

U.S. PATENT DOCUMENTS

D419,492 S * 1/2000 Egger D12/111
D517,452 S * 3/2006 Hickman D12/111
D632,615 S * 2/2011 Uimonen D12/111
D637,527 S * 5/2011 Choi D12/111
D662,445 S * 6/2012 Uimonen D12/111
D667,347 S * 9/2012 Simko D12/111
D719,488 S * 12/2014 Stafford D12/111
D719,880 S * 12/2014 Juarez D12/111
D726,075 S * 4/2015 D’Aluisio D12/111
D734,218 S * 7/2015 D’Aluisio D12/111
D766,136 S * 9/2016 Jankura D12/111
D774,970 S * 12/2016 D’Aluisio D12/111
D797,610 S * 9/2017 Jankura D12/111

FIG. 1 is a perspective view of a bicycle frame embodying
the design;
FIG. 2 is a right side elevation view thereof;
FIG. 3 is a left side elevation view thereof;
FIG. 4 is a front elevation view thereof;
FIG. 5 is a rear elevation view thereof;
FIG. 6 is a top plan view thereof; and,
FIG. 7 is a bottom plan view thereof.
The portions of the design shown in broken lines form no
part of the claimed design.

1 Claim, 6 Drawing Sheets



(56)

References Cited

U.S. PATENT DOCUMENTS

D908,046 S * 1/2021 Callahan D12/111
D909,257 S * 2/2021 Munoz D12/111
D909,921 S * 2/2021 Stafford D12/111
D923,519 S * 6/2021 Hafner D12/111

OTHER PUBLICATIONS

“P.3 Frameset” Specialized., posted date Aug. 25, 2019 [online], [retrieved on Mar. 25, 2021]. Retrieved from the Internet <URL: <https://www.specialized.com/hn/en/p-3-frameset/p/187368?color=300701-187368&searchText=71921-7022>> (Year: 2019).*

“Pivot LES SL Carbon Mountain Bike Frame” Competitive Cyclist., posted date Sep. 30, 2019 [online], [retrieved on Mar. 25, 2021]. Retrieved from the Internet <URL: <https://www.competitivecyclist.com/pivot-les-sl-carbon-mountain-bike-frame>> (Year: 2019).*

* cited by examiner

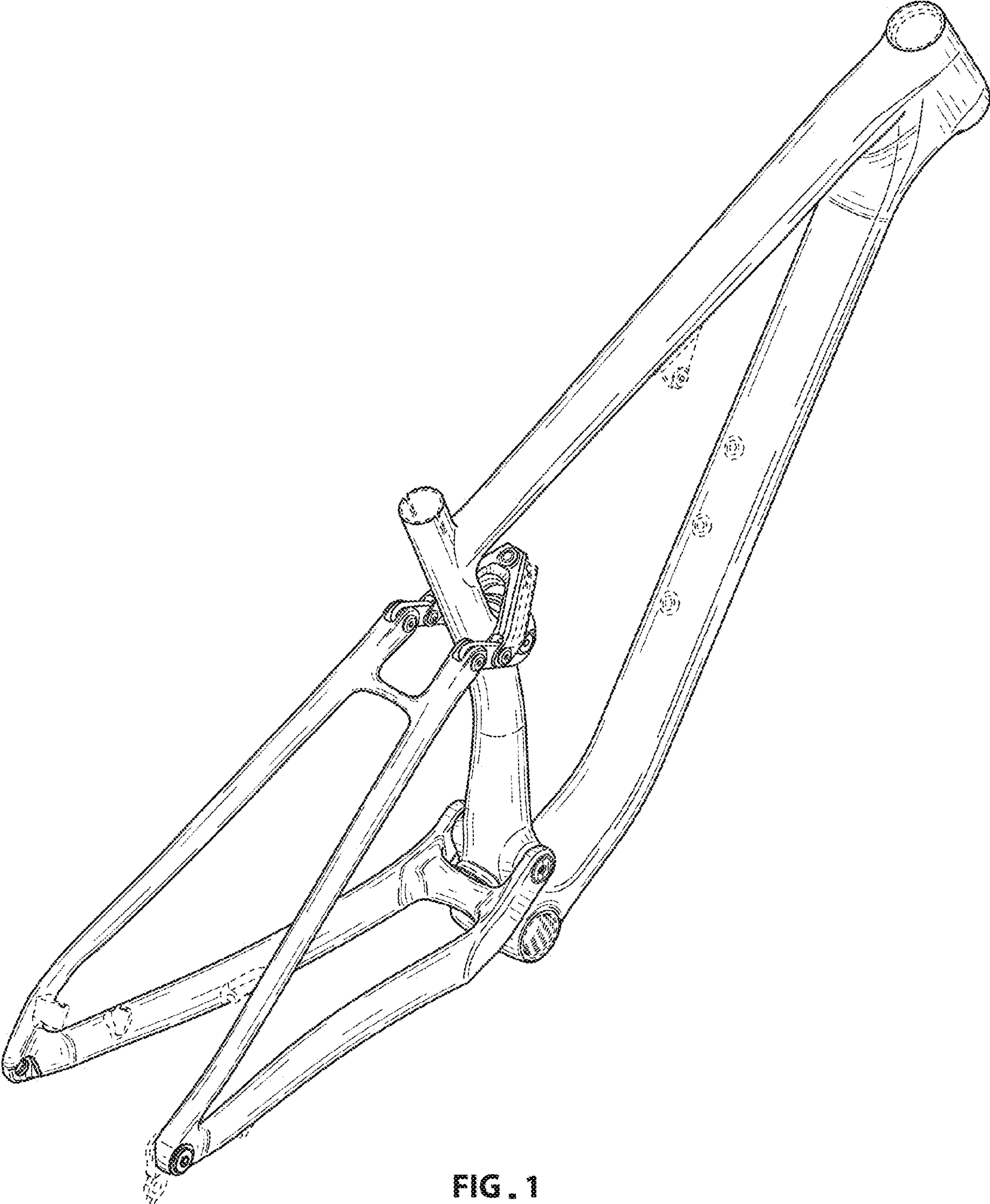


FIG. 1

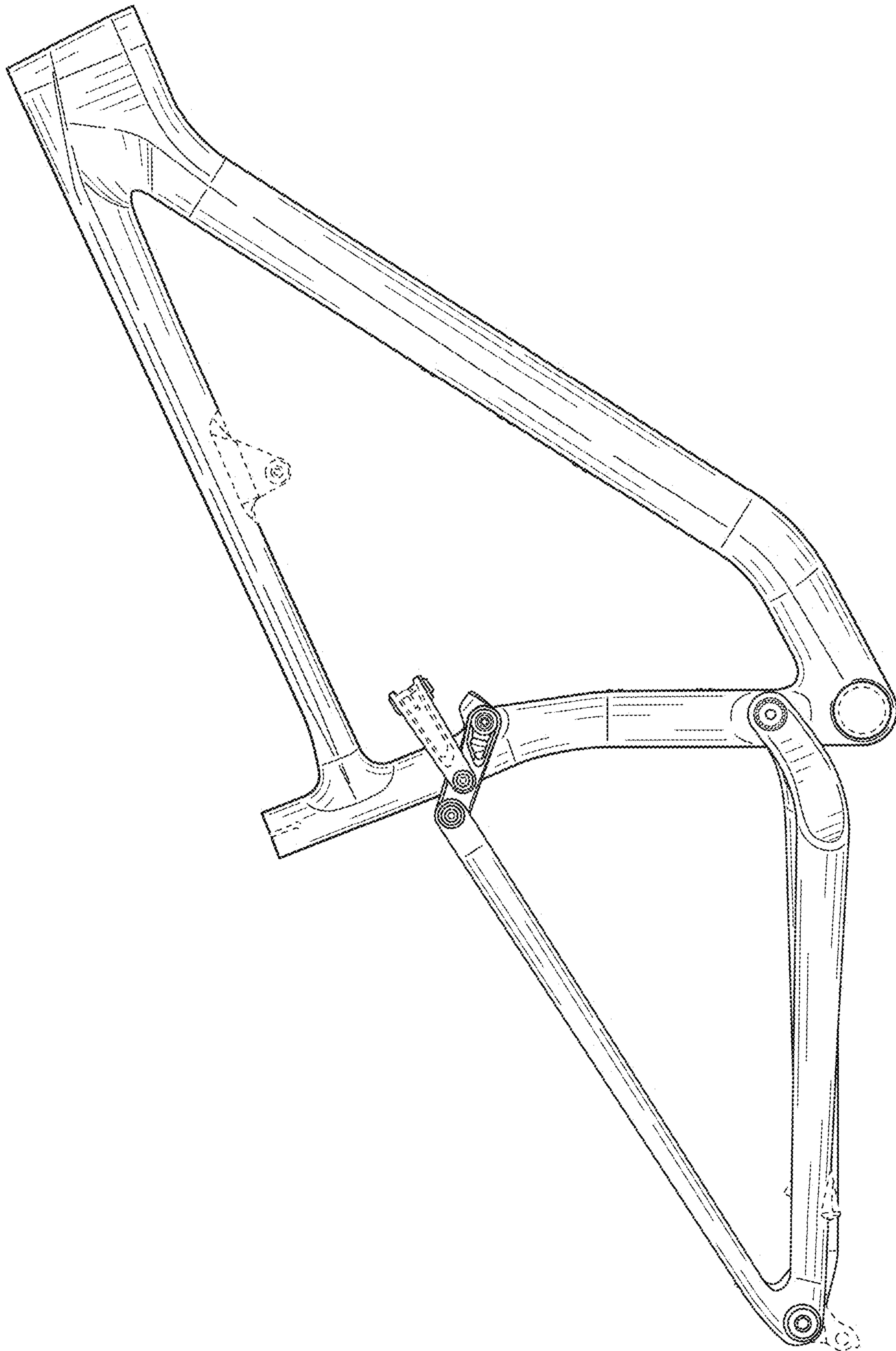


FIG. 2

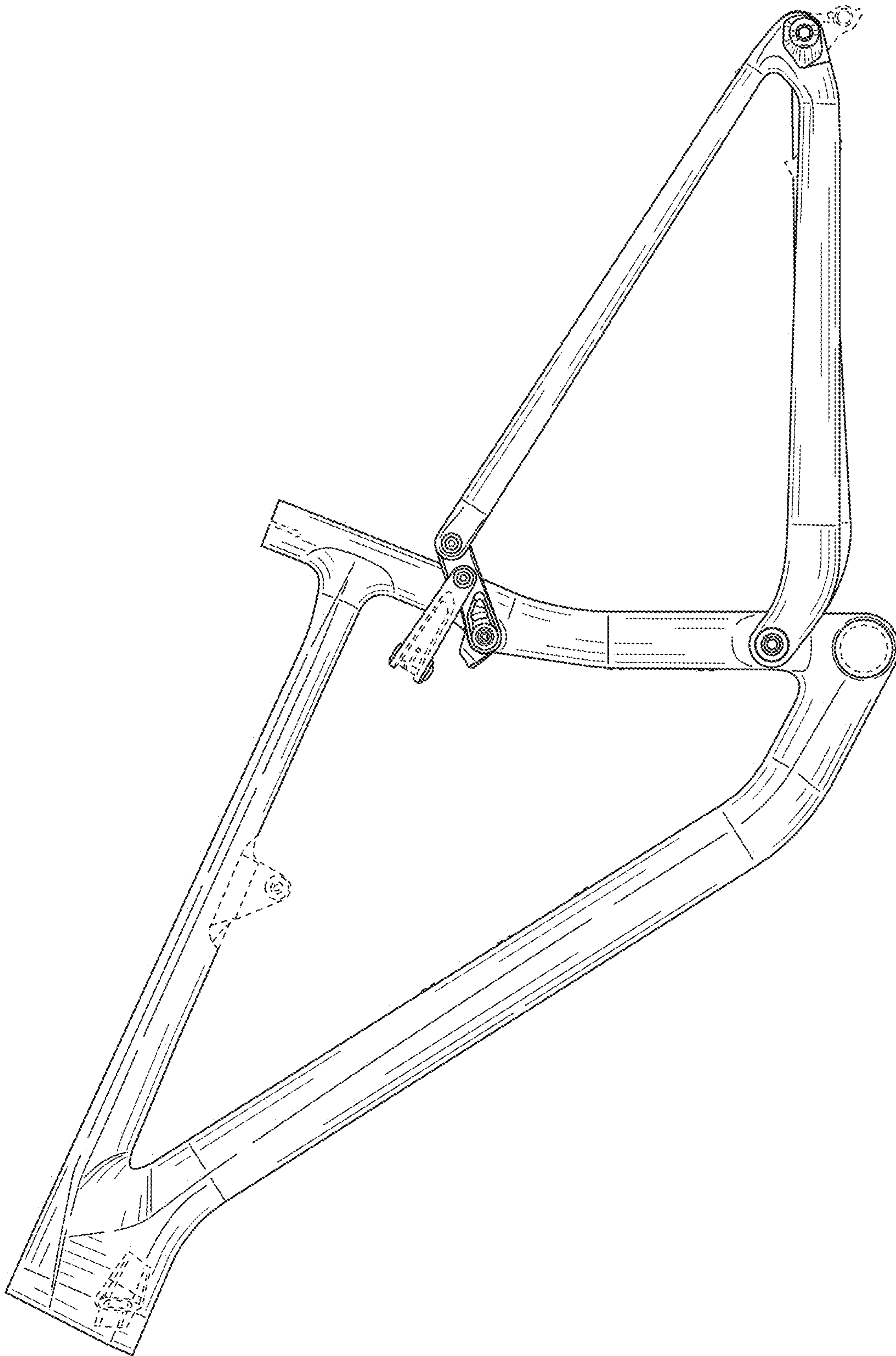


FIG. 3

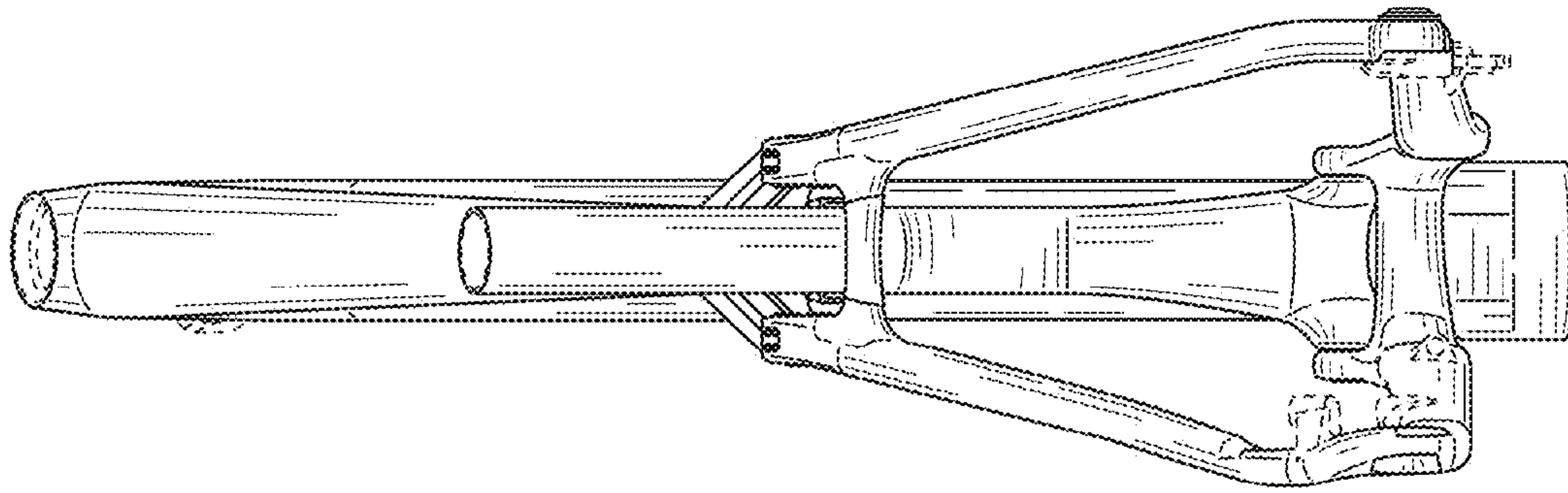


FIG. 5

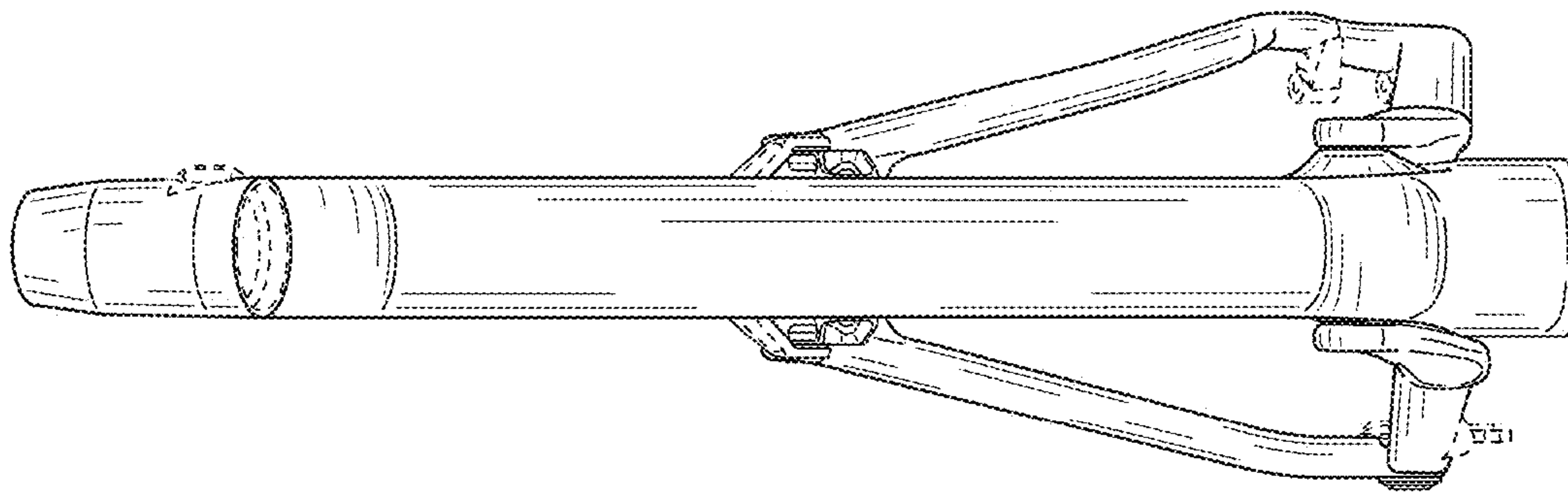


FIG. 4

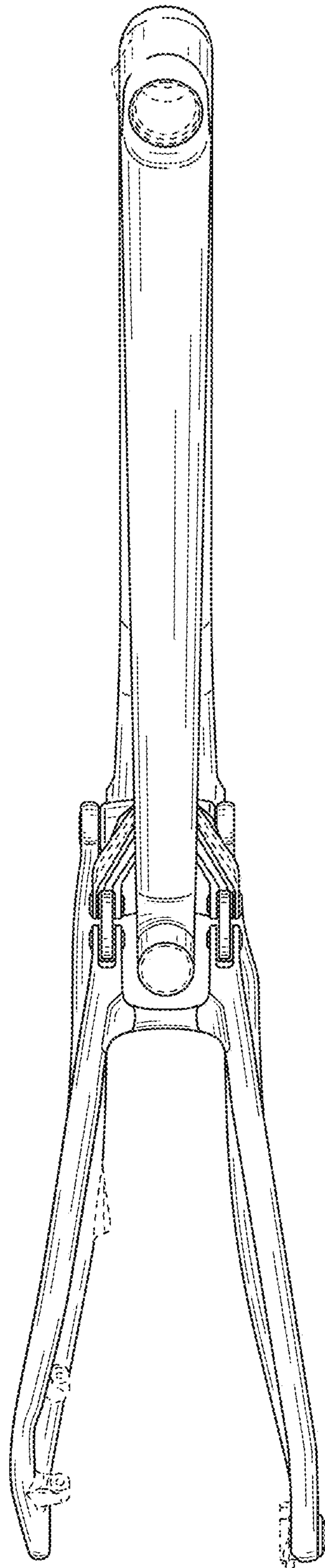


FIG. 6

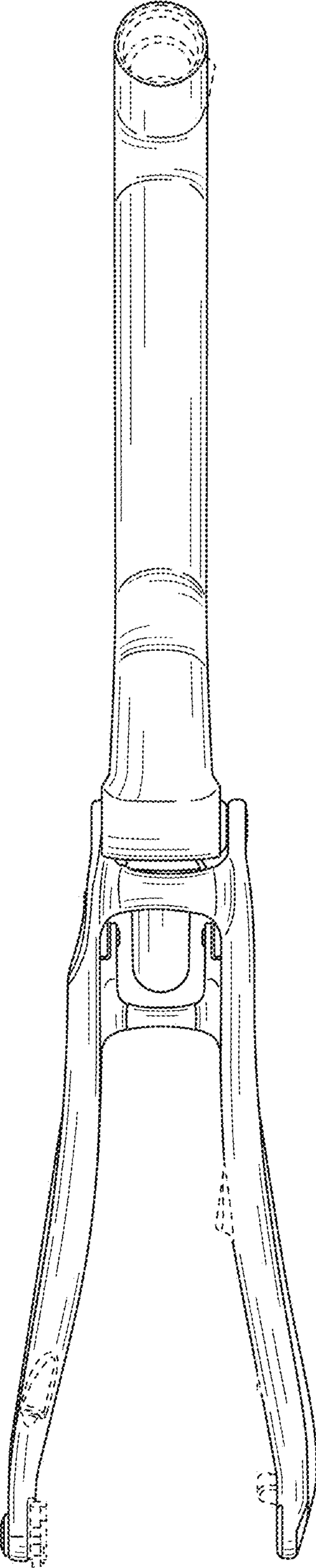


FIG. 7