



US00D935947S

(12) **United States Design Patent** (10) **Patent No.:** **US D935,947 S**
Xie (45) **Date of Patent:** **** Nov. 16, 2021**

(54) BALANCE BIKE	8,794,654 B1 * 8/2014 Chen B62K 9/00 280/287
(71) Applicant: Guangdong Luddy Interactive Entertainment Ltd., Guangdong (CN)	D729,700 S * 5/2015 De Roeck D12/111 D735,620 S * 8/2015 Pape B62K 9/00 D12/111
(72) Inventor: Yincun Xie, Guangdong (CN)	D755,899 S * 5/2016 Castrucci D21/423 D791,022 S * 7/2017 Lam D12/111 D797,201 S * 9/2017 Wu D21/432
(73) Assignee: GUANGDONG LUDDY INTERACTIVE ENTERTAINMENT LTD., Dongguan (CN)	D828,786 S * 9/2018 Baker D12/111 D829,610 S * 10/2018 Liu D12/111 D846,449 S * 4/2019 Song D12/111

(Continued)

(**) Term: **15 Years**

(21) Appl. No.: **29/728,983**

(22) Filed: **Mar. 23, 2020**

(30) **Foreign Application Priority Data**

Dec. 12, 2019 (CN) 201930694816.2

(51) **LOC (13) Cl.** **12-11**

(52) **U.S. Cl.**
USPC **D12/111**

(58) **Field of Classification Search**
USPC D12/111, 117; D21/412, 414, 419,
D21/423–428, 431–435
CPC ... B62K 3/00; B62K 3/02; B62K 3/06; B62K
9/00; B62K 19/14
See application file for complete search history.

(56) **References Cited**

U.S. PATENT DOCUMENTS

D369,331 S * 4/1996 Niemeyer B62K 9/00 D12/112
D385,513 S * 10/1997 Huang D12/111
D400,826 S * 11/1998 Accerenzi D12/111
D512,664 S * 12/2005 Schreier D12/111
D537,758 S * 3/2007 Grepper D12/111
D567,149 S * 4/2008 Grepper D12/111
D671,173 S * 11/2012 Tompkin D21/432
D695,847 S * 12/2013 Liu D21/432

OTHER PUBLICATIONS

“Balance Bike—Toddler Training Bike” Birtech Store., posted date Mar. 1, 2019 [online], [retrieved on Mar. 23, 2021]. Retrieved from the Internet <<https://tinyurl.com/5fzxzv28>> (Year: 2019).*

(Continued)

Primary Examiner — Darlington Ly

Assistant Examiner — Nasim Abdulaziz Ali

(74) *Attorney, Agent, or Firm* — Bayramoglu Law Offices LLC

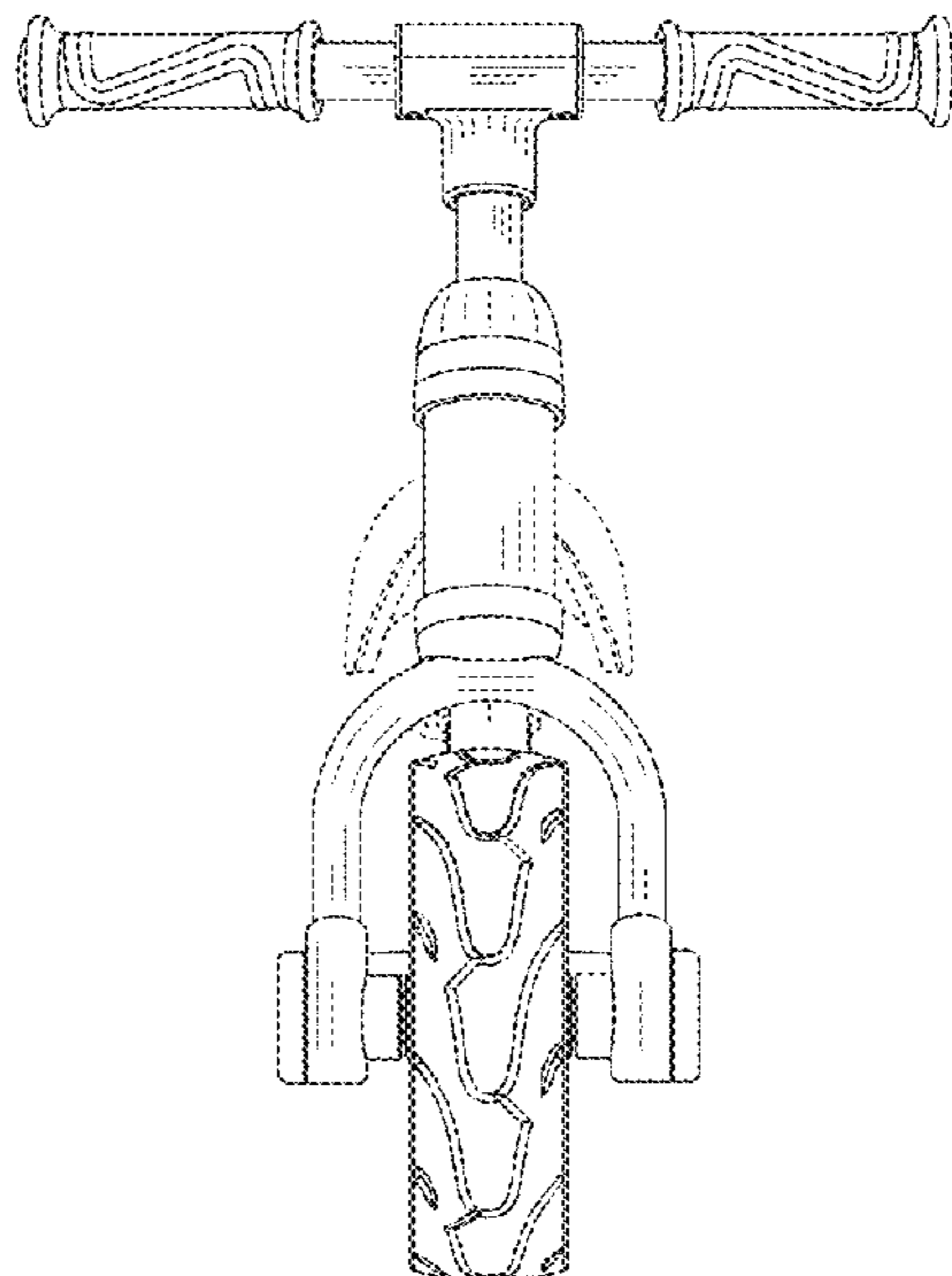
(57) **CLAIM**

The ornamental design for a balance bike, as shown and described.

DESCRIPTION

FIG. 1 is a front elevation view of a balance bike showing my new design;
FIG. 2 is a rear elevation view thereof;
FIG. 3 is a left side elevation view thereof;
FIG. 4 is a right side elevation view thereof;
FIG. 5 is a top plan view thereof;
FIG. 6 is a bottom plan view thereof; and,
FIG. 7 is a top, front and right side perspective view thereof.
The broken lines in the drawings illustrate portions of the balance bike which form no part of the claimed design.

1 Claim, 7 Drawing Sheets



(56)

References Cited

U.S. PATENT DOCUMENTS

D887,904 S * 6/2020 Li D12/111
D896,319 S * 9/2020 Jiang D21/432
D900,681 S * 11/2020 Liu D12/111
2016/0001843 A1* 1/2016 Evans B62K 13/08
280/7.17

OTHER PUBLICATIONS

“Tadpole Plus” Frog Bikes., posted date Jul. 17, 2019 [online], [retrieved on Mar. 23, 2021]. Retrieved from the Internet <<https://www.frogbikes.com/Balance-Bikes-Tadpole-Plus>> (Year: 2019).*

“Strider 12 Pro” Strider., posted date May 6, 2019 [online], [retrieved on Mar. 23, 2021]. Retrieved from the Internet <<https://striderbikes.com/buy/shop-all/balance-bikes/12-pro-balance-bike/>> (Year: 2019).*

* cited by examiner

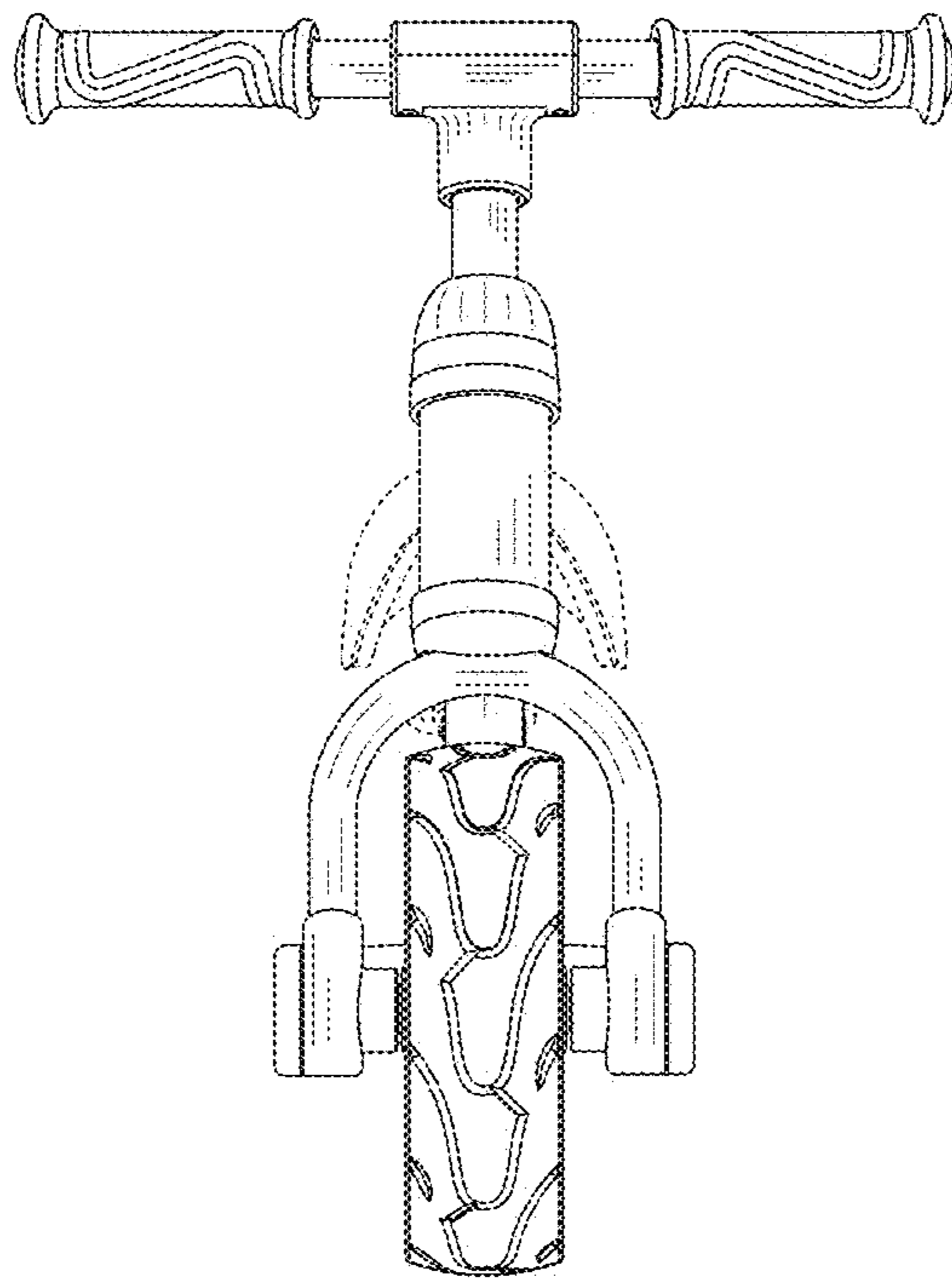


FIG. 1

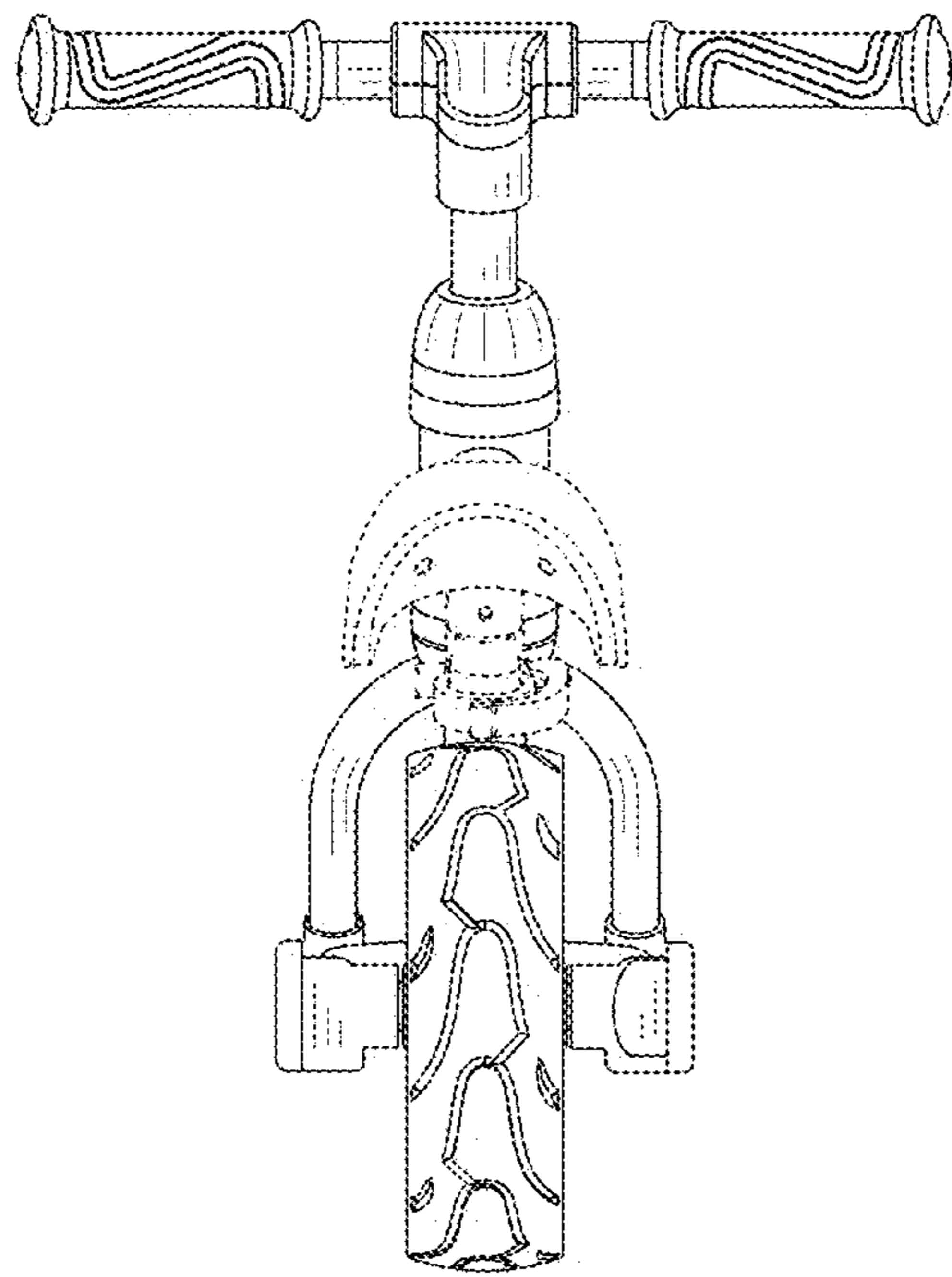


FIG. 2

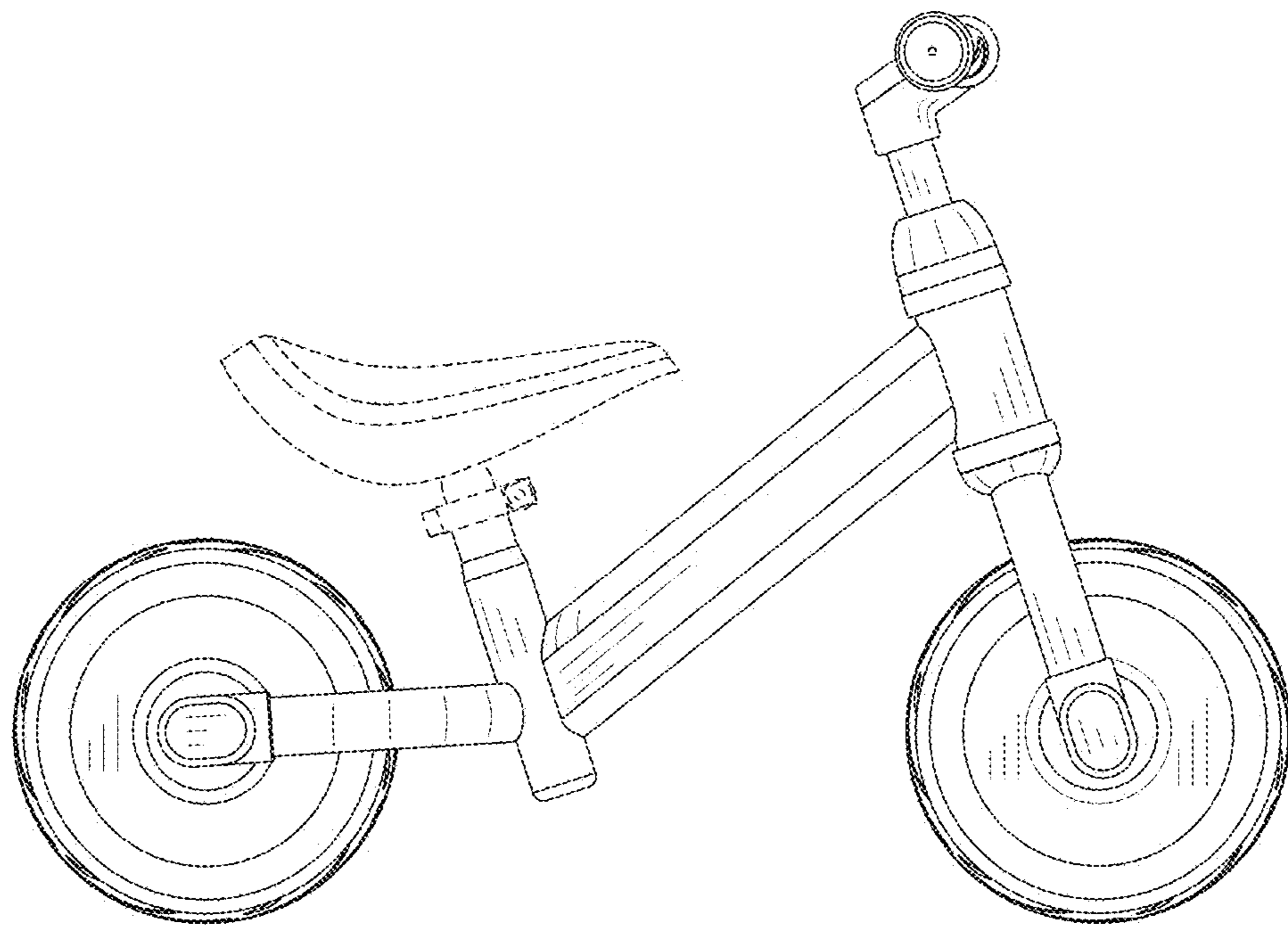


FIG. 3

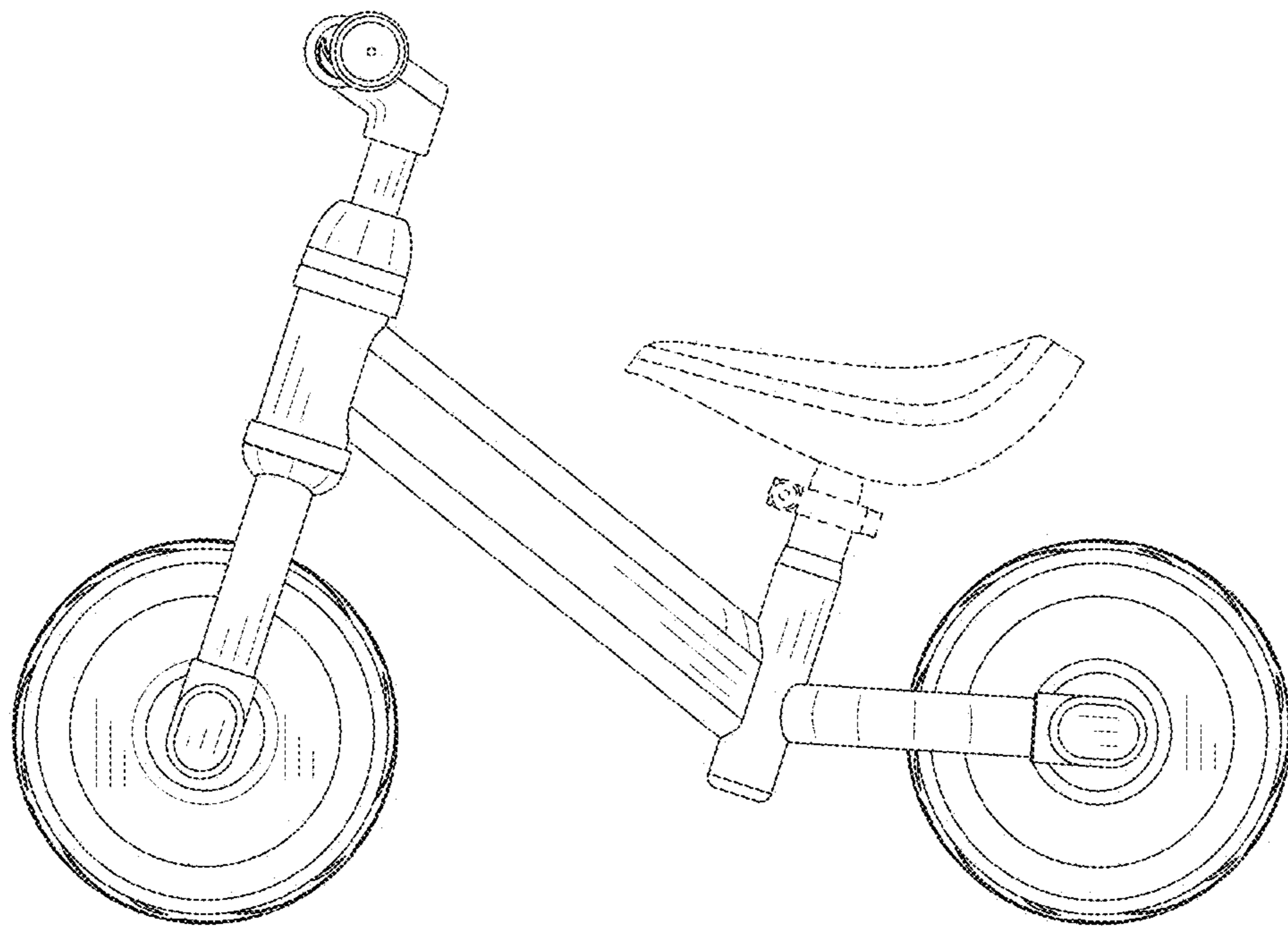


FIG. 4

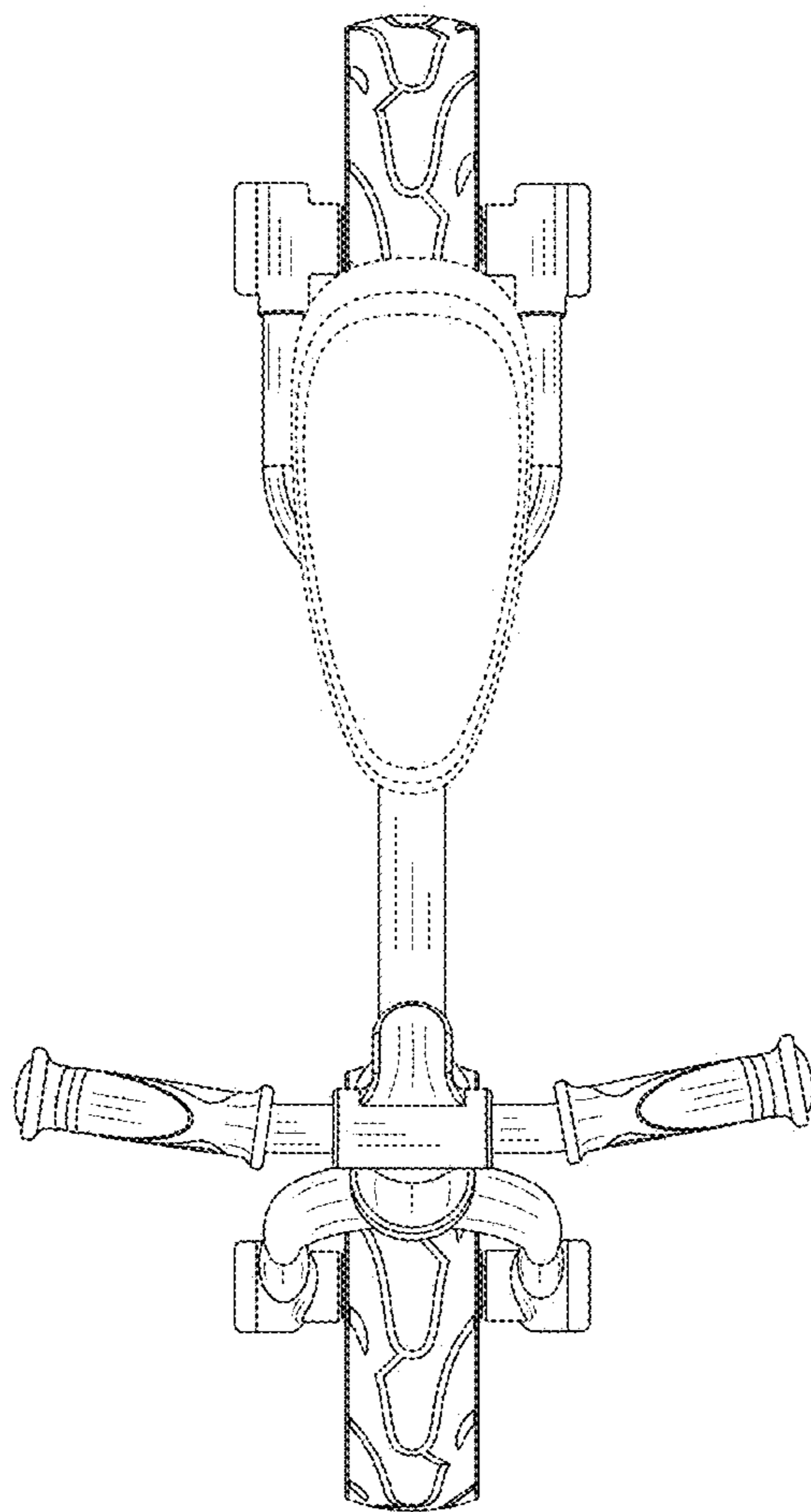


FIG. 5

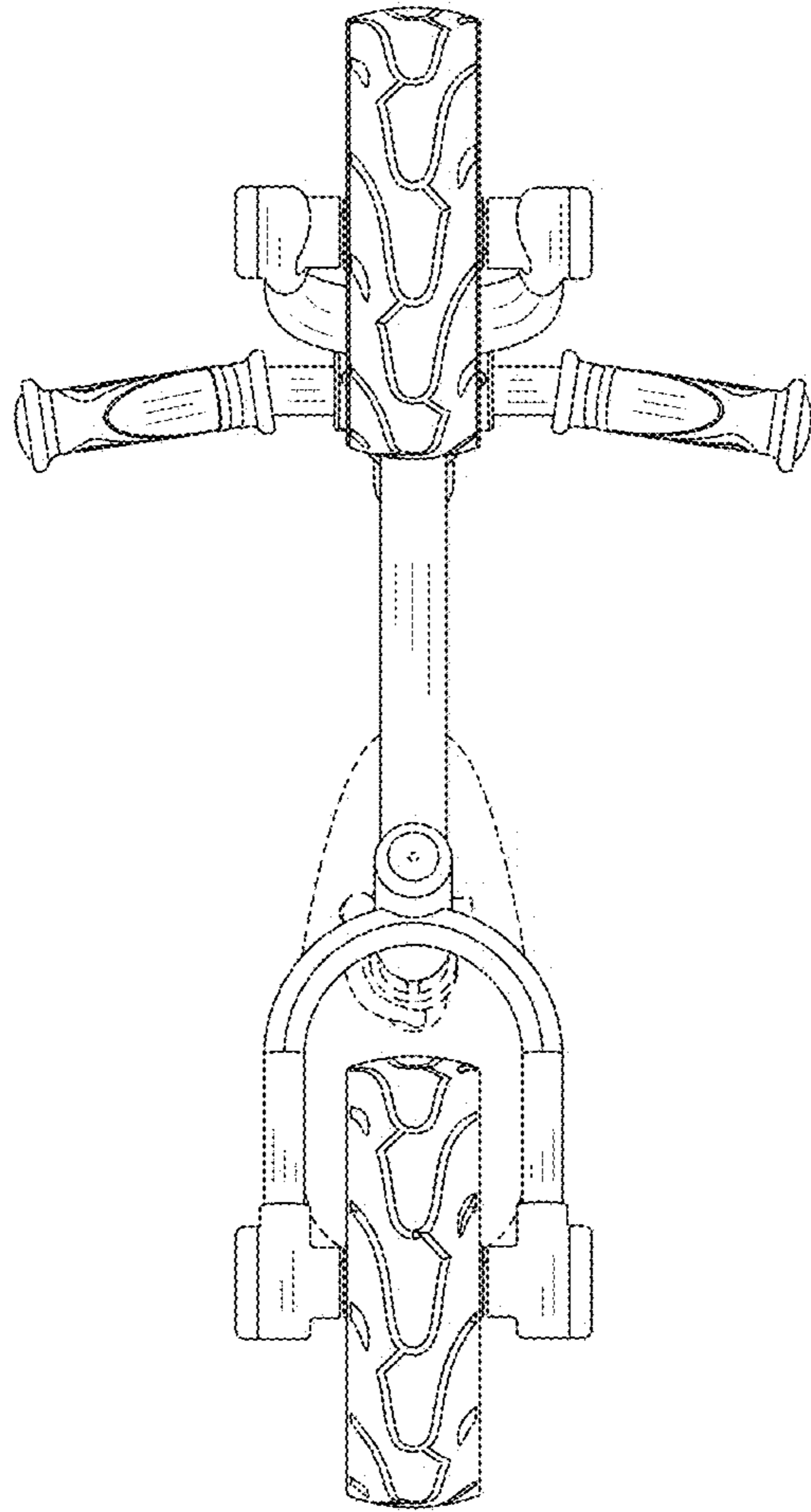


FIG. 6

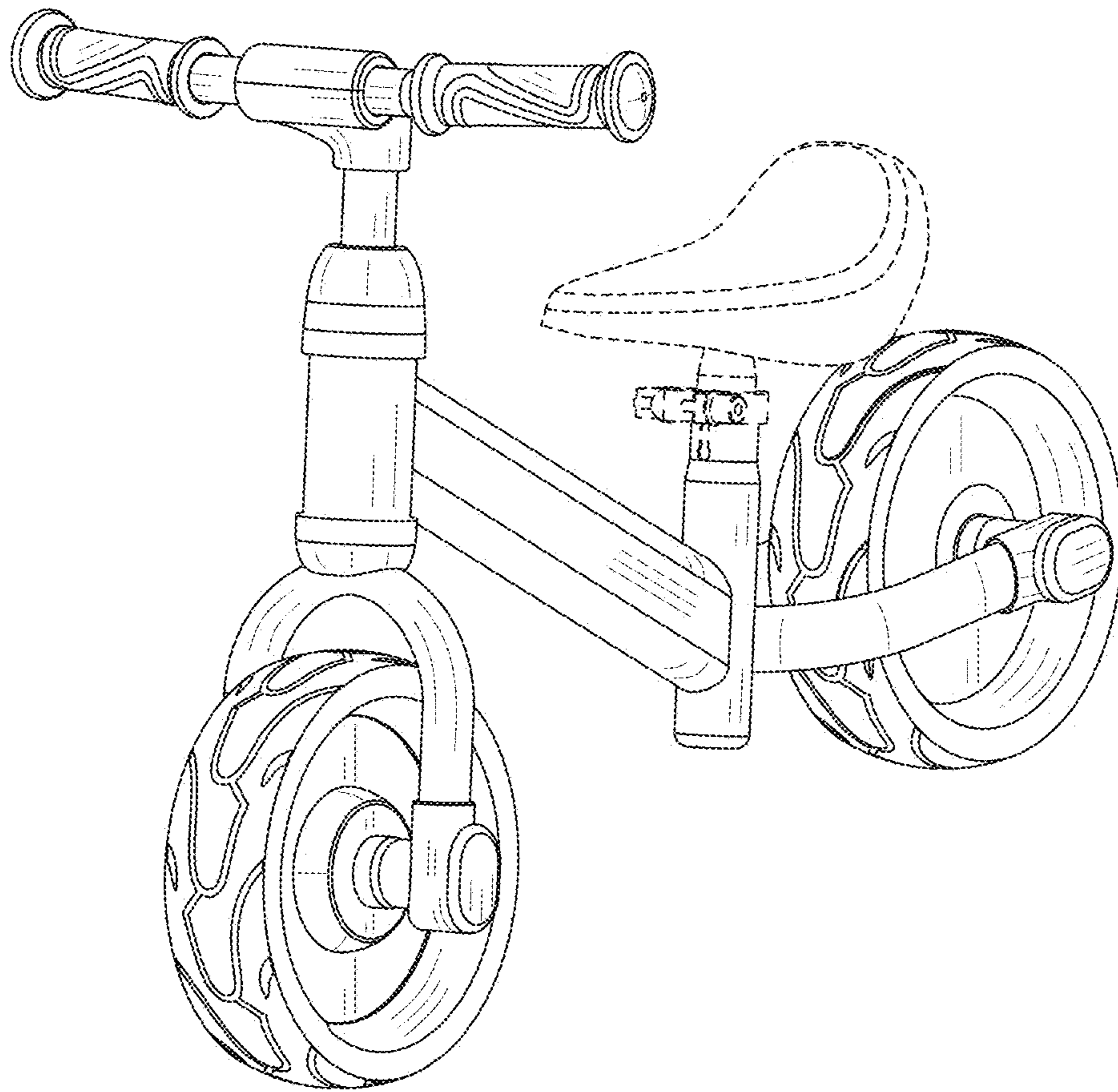


FIG. 7