



US00D935945S

(12) **United States Design Patent** (10) **Patent No.:** **US D935,945 S**
Bruderer et al. (45) **Date of Patent:** **** Nov. 16, 2021**

(54) **VEHICLE BODY**

FOREIGN PATENT DOCUMENTS

(71) Applicant: **Polaris Industries Inc.**, Medina, MN (US)

CN 201130343364 * 4/2012

(72) Inventors: **Alice C. Bruderer**, Orono, MN (US);
Michael J. Hanten, Delano, MN (US)

OTHER PUBLICATIONS

“Outlaw 70 EFI” Polaris., posted date Jun. 4, 2021 [online], [retrieved on Jul. 2, 2021]. Retrieved from the Internet <URL: <https://atv.polaris.com/en-us/outlaw-70/>> (Year: 2021).*

(73) Assignee: **Polaris Industries Inc.**, Medina, MN (US)

(Continued)

(**) Term: **15 Years**

Primary Examiner — Darlington Ly

Assistant Examiner — Nasim Abdulaziz Ali

(21) Appl. No.: **29/724,671**

(74) *Attorney, Agent, or Firm* — Harness, Dickey & Pierce, P.L.C.

(22) Filed: **Feb. 18, 2020**

(51) **LOC (13) Cl.** **D12-11**

(52) **U.S. Cl.**
USPC **D12/107; D12/87**

(57) **CLAIM**

(58) **Field of Classification Search**
USPC D12/3, 14, 85, 86, 87, 107, 110
CPC B62D 23/00; B62D 21/18; B62D 21/183;
B62D 24/02; B62D 25/00; B62D 39/00;
B62D 49/06; B62D 49/062
See application file for complete search history.

The ornamental design for a vehicle body, as shown and described.

DESCRIPTION

(56) **References Cited**

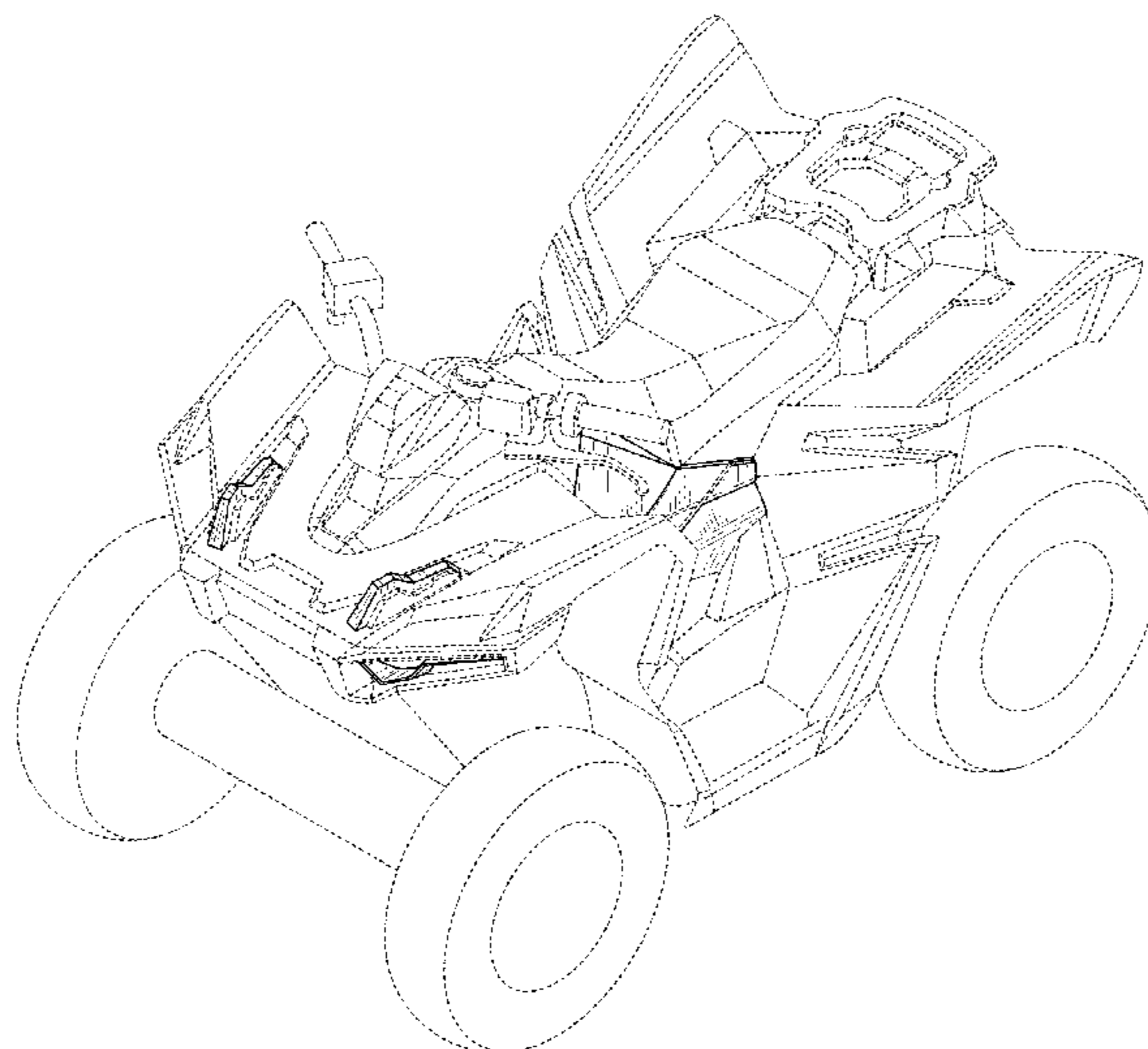
U.S. PATENT DOCUMENTS

D593,003 S *	5/2009	Sanschagr	D12/107
D593,454 S *	6/2009	Sanschagr	D12/107
D594,388 S *	6/2009	Sanschagr	D12/107
D657,720 S *	4/2012	Eck	D12/107
D665,309 S *	8/2012	Lepine	D12/107
D665,312 S *	8/2012	Lepine	D12/126
D701,143 S *	3/2014	Shan	D12/87
D722,927 S *	2/2015	Schroeder	D12/171
D727,807 S *	4/2015	Schroeder	D12/173
D805,009 S *	12/2017	Eck	D12/171
D866,402 S *	11/2019	Wang	D12/107
D886,678 S *	6/2020	Lai	D12/87
D906,181 S *	12/2020	Lou	D12/107
D908,536 S *	1/2021	Ye	D12/87
D913,847 S *	3/2021	Hashimoto	D12/87

FIG. 1 is a front and left side perspective view of a vehicle body embodying our new design;
FIG. 2 is a rear and right side perspective view thereof;
FIG. 3 is a right side elevation view thereof;
FIG. 4 is a left side elevation view thereof;
FIG. 5 is a front elevation view thereof;
FIG. 6 is a rear elevation view thereof;
FIG. 7 is a top plan view thereof;
FIG. 8 is a bottom plan view thereof;
FIG. 9 is a detail right side panel view thereof; and,
FIG. 10 is a detail left side panel view thereof.
The dot-dash broken lines that are immediately adjacent the claim depict the bounds of the claimed design and form no part of the claim; all of the broken lines illustrated environmental structure and depict portions of the article that form no part of the claimed design.

(Continued)

1 Claim, 10 Drawing Sheets



(56)

References Cited

U.S. PATENT DOCUMENTS

2020/0171942 A1* 6/2020 Evans B62K 23/06

OTHER PUBLICATIONS

“Brute Force 300” Kawasaki., posted date Dec. 24, 2007 [online], [retrieved on Jul. 2, 2021]. Retrieved from the Internet <URL: https://www.kawasaki.com/en-us/atv/atv-utility-recreation/utility-recreation/brute-force-300?cm_re=GLOBALNAV_-_PRODUCTGROUPLIST_-_VEHICLE> (Year: 2007).*

“GRIZZLY 90” Yamaha., posted date Feb. 16, 2016 [online], [retrieved on Jul. 2, 2021]. Retrieved from the Internet <URL: <https://www.yamahamotorsports.com/utility-atv/models/grizzly-90>> (Year: 2016).*

* cited by examiner

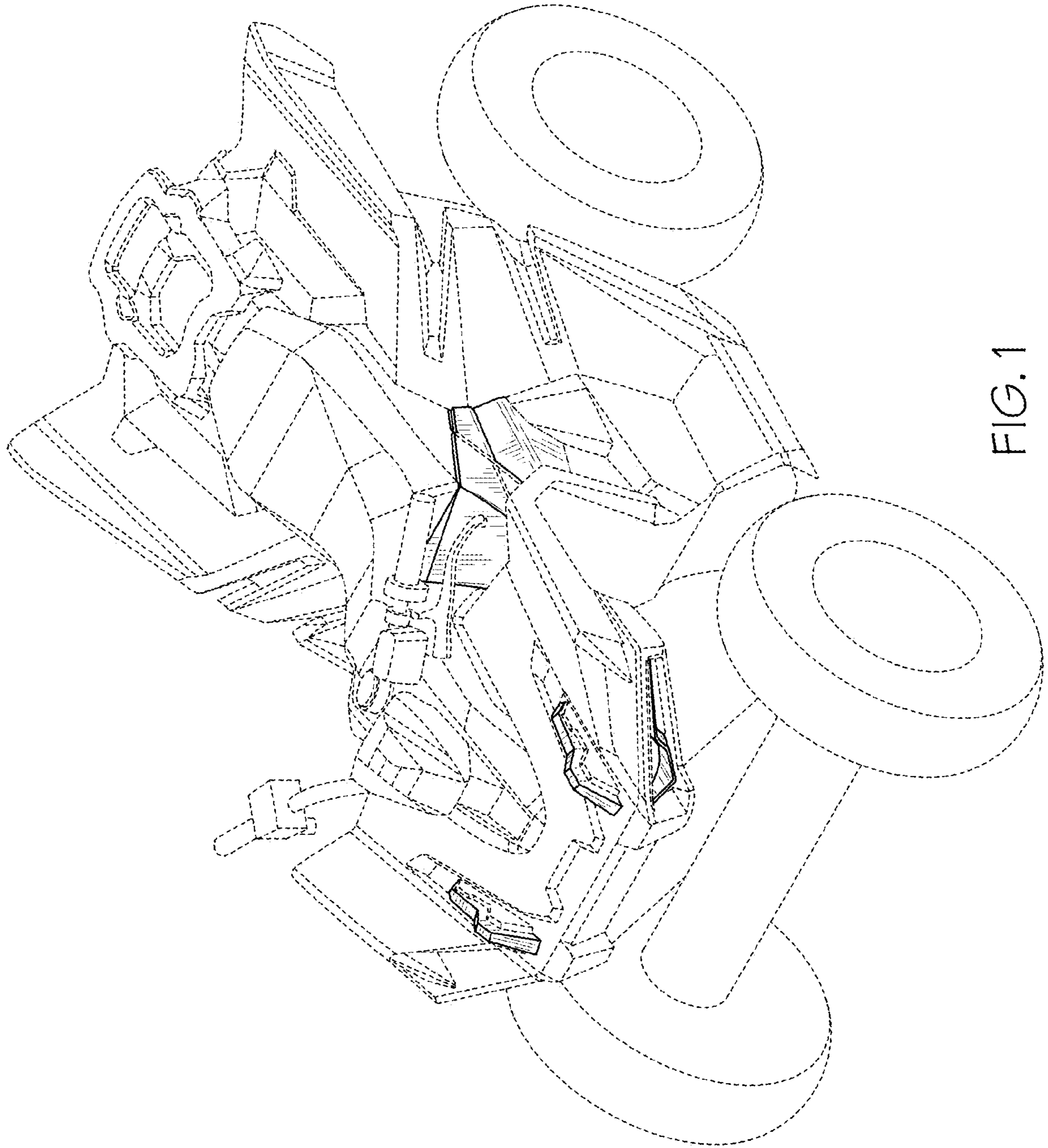


FIG. 1

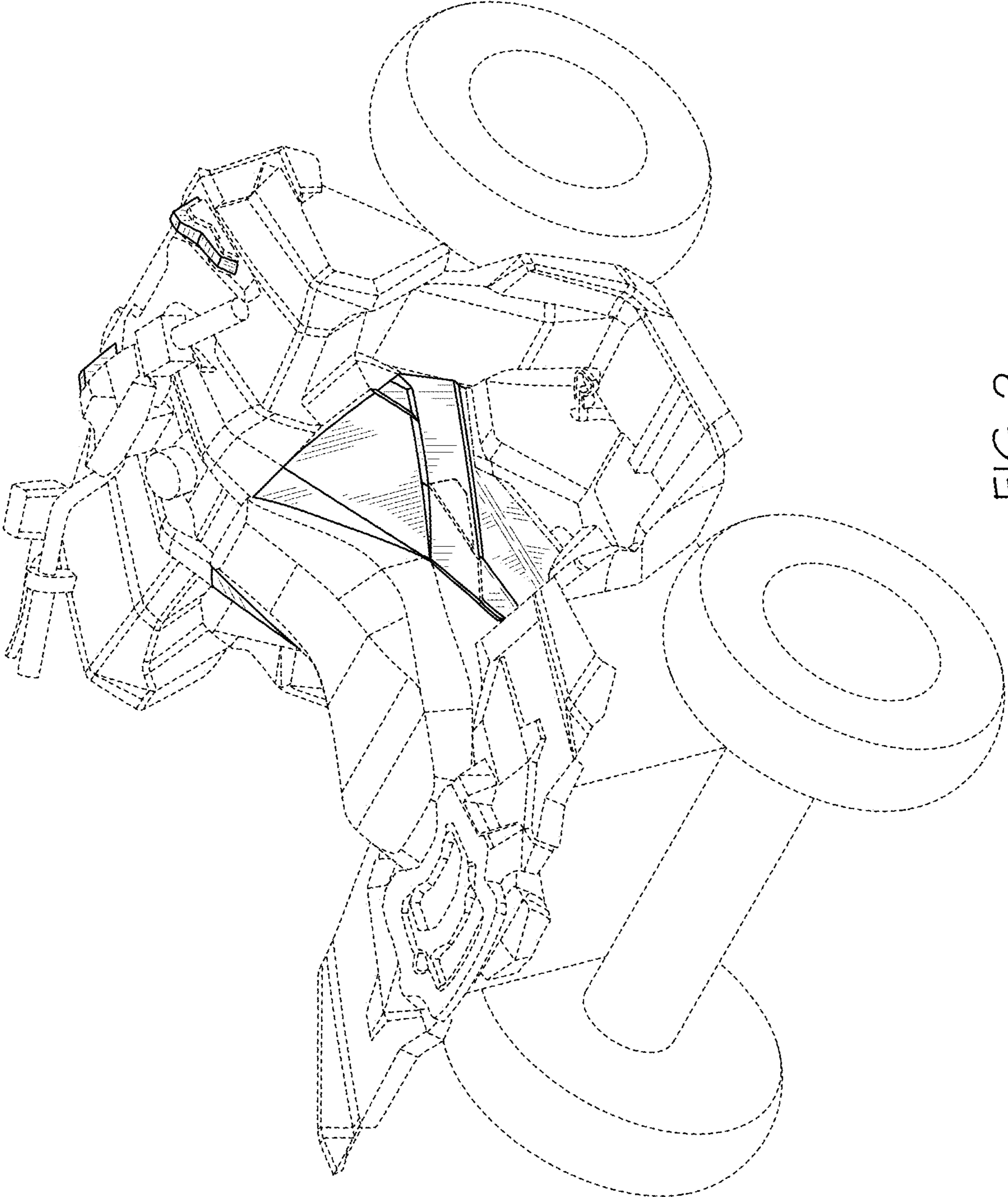


FIG. 2

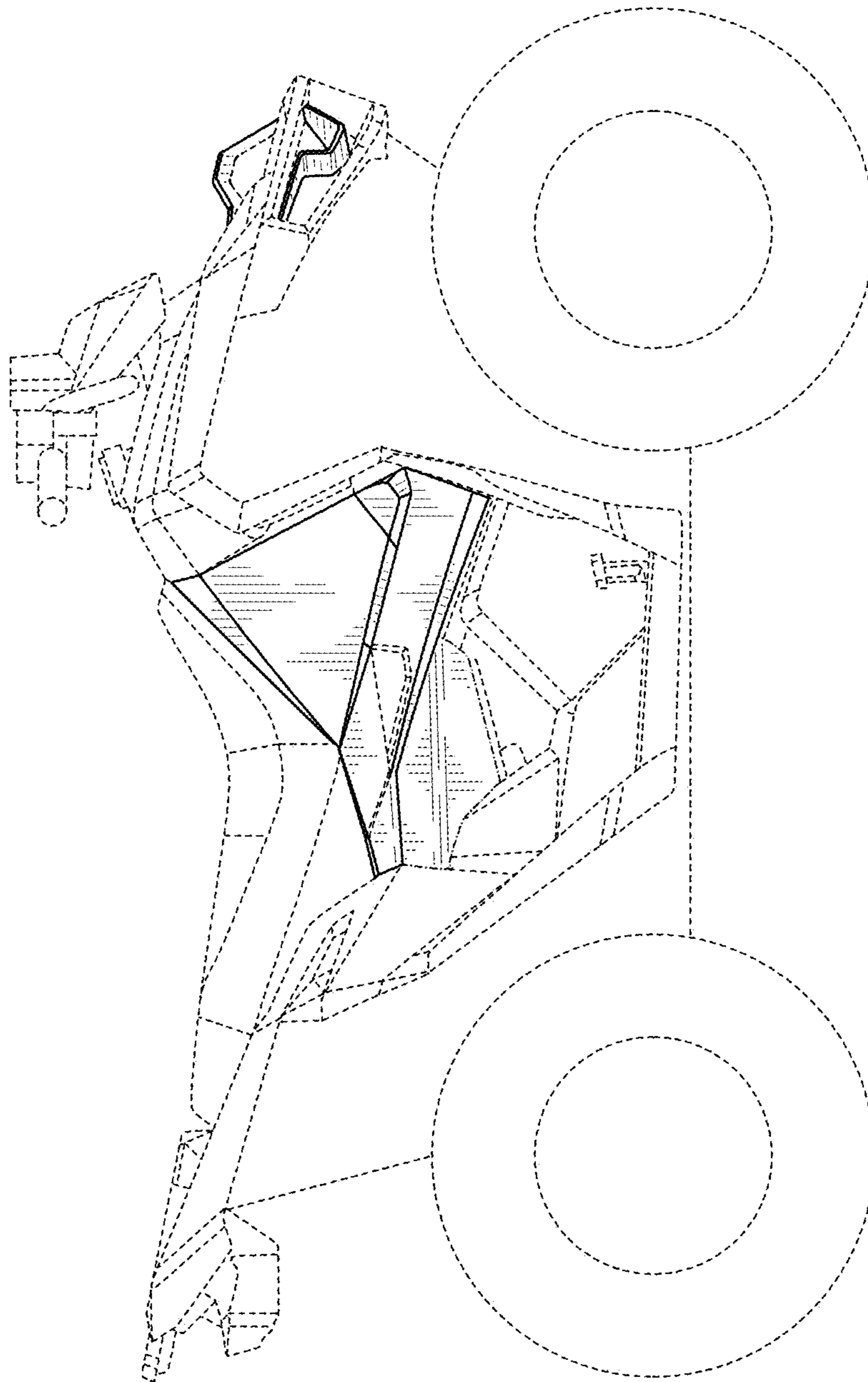


FIG. 3

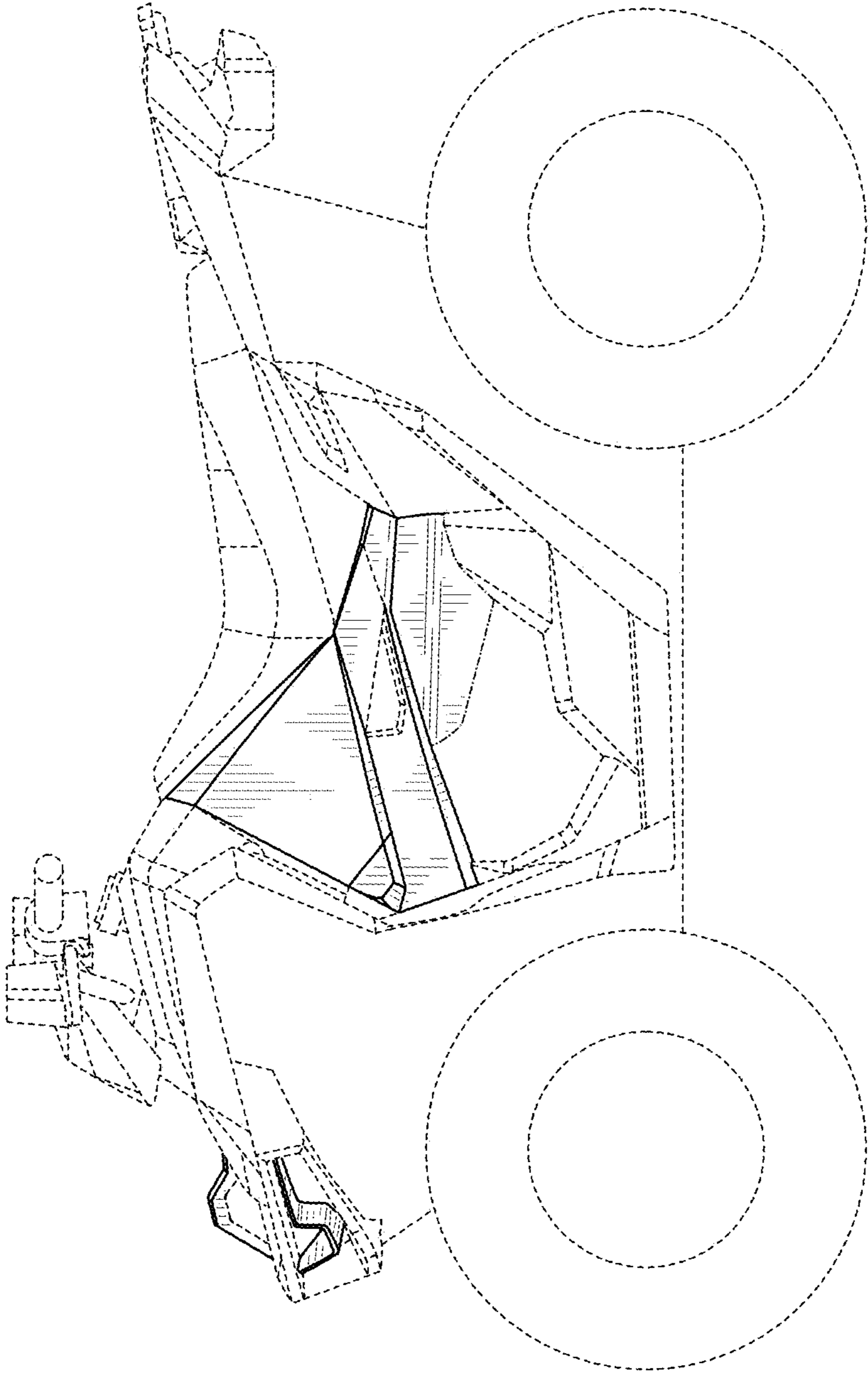


FIG. 4

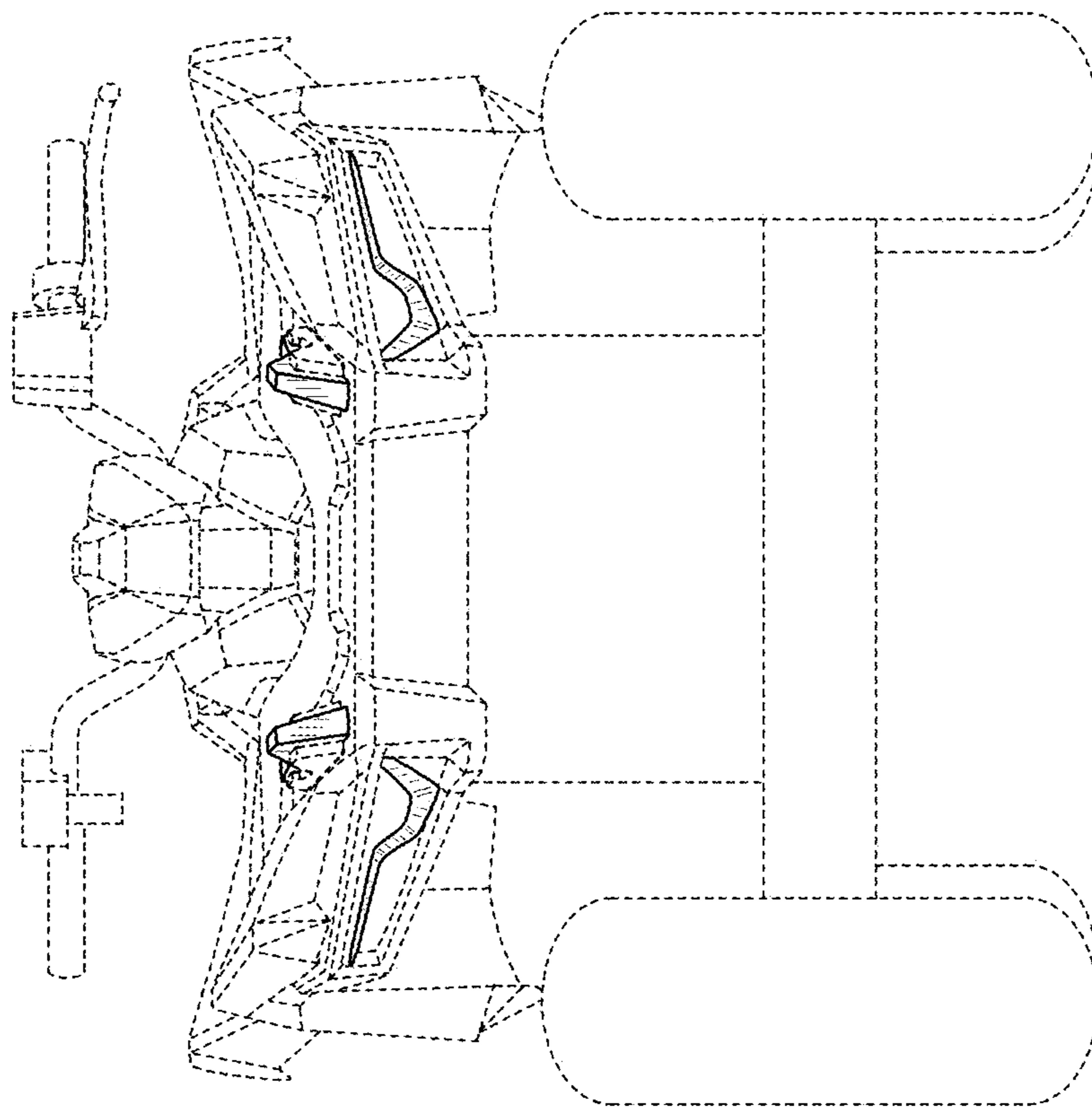


FIG. 5

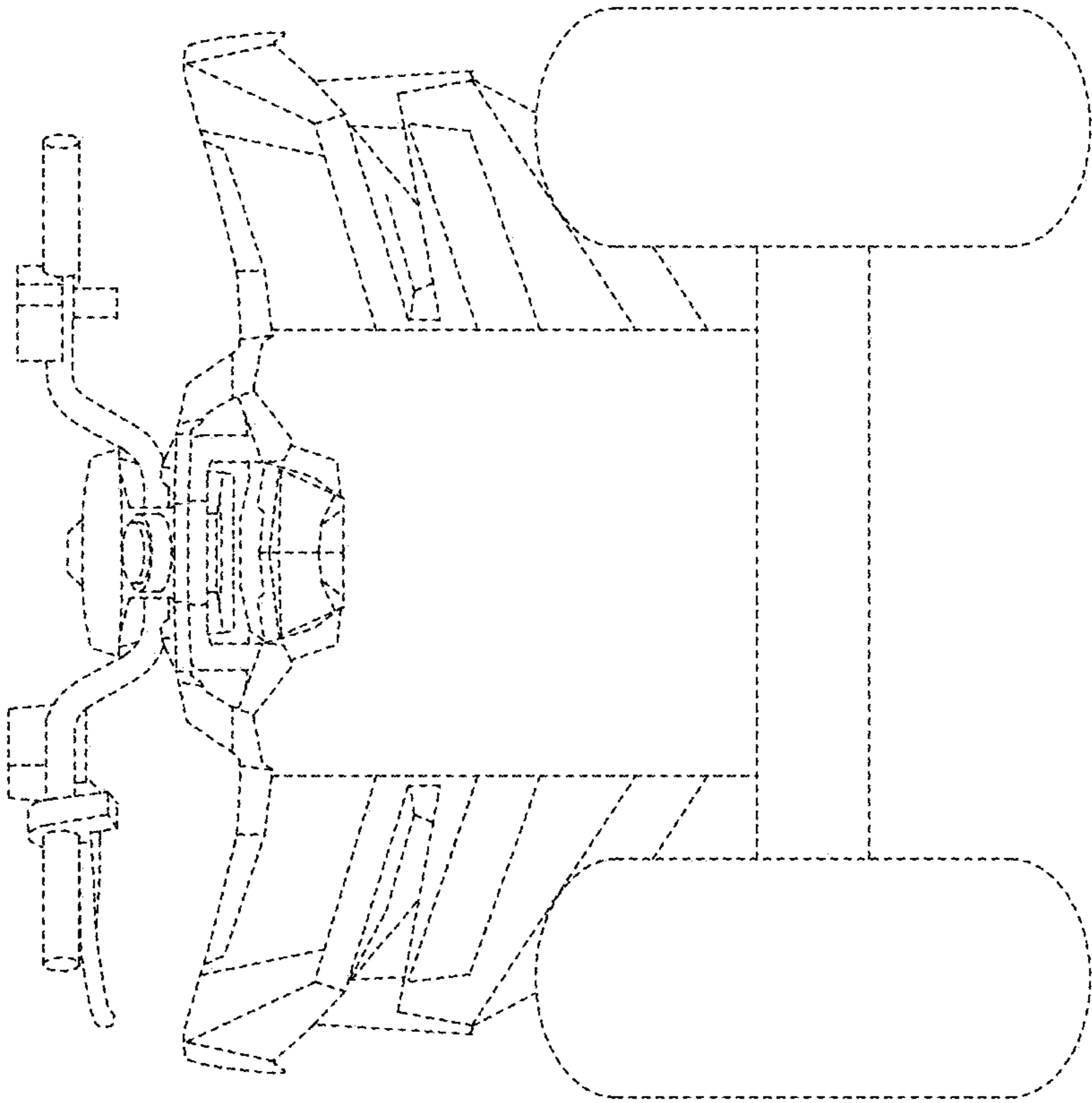


FIG. 6

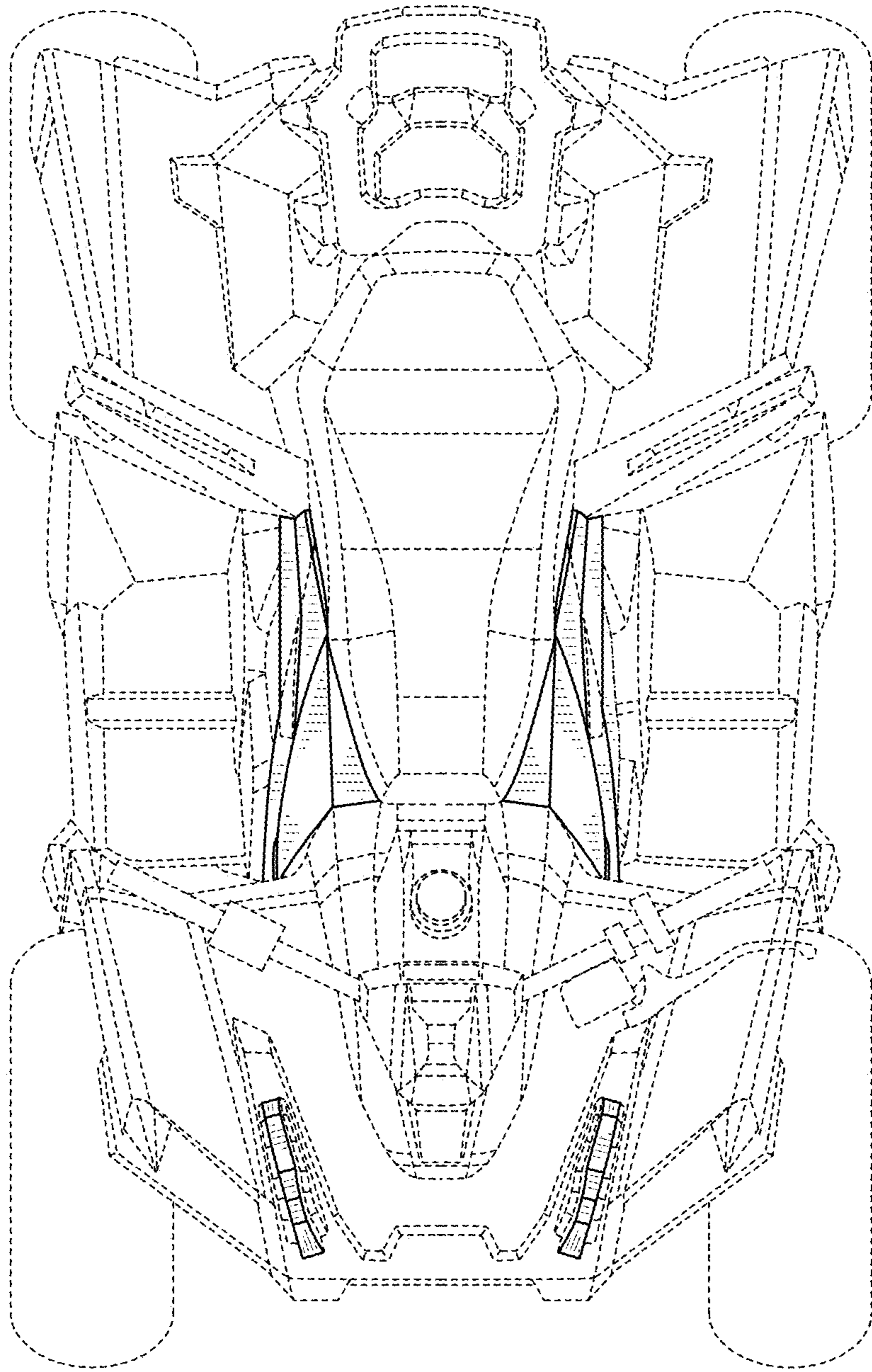


FIG. 7

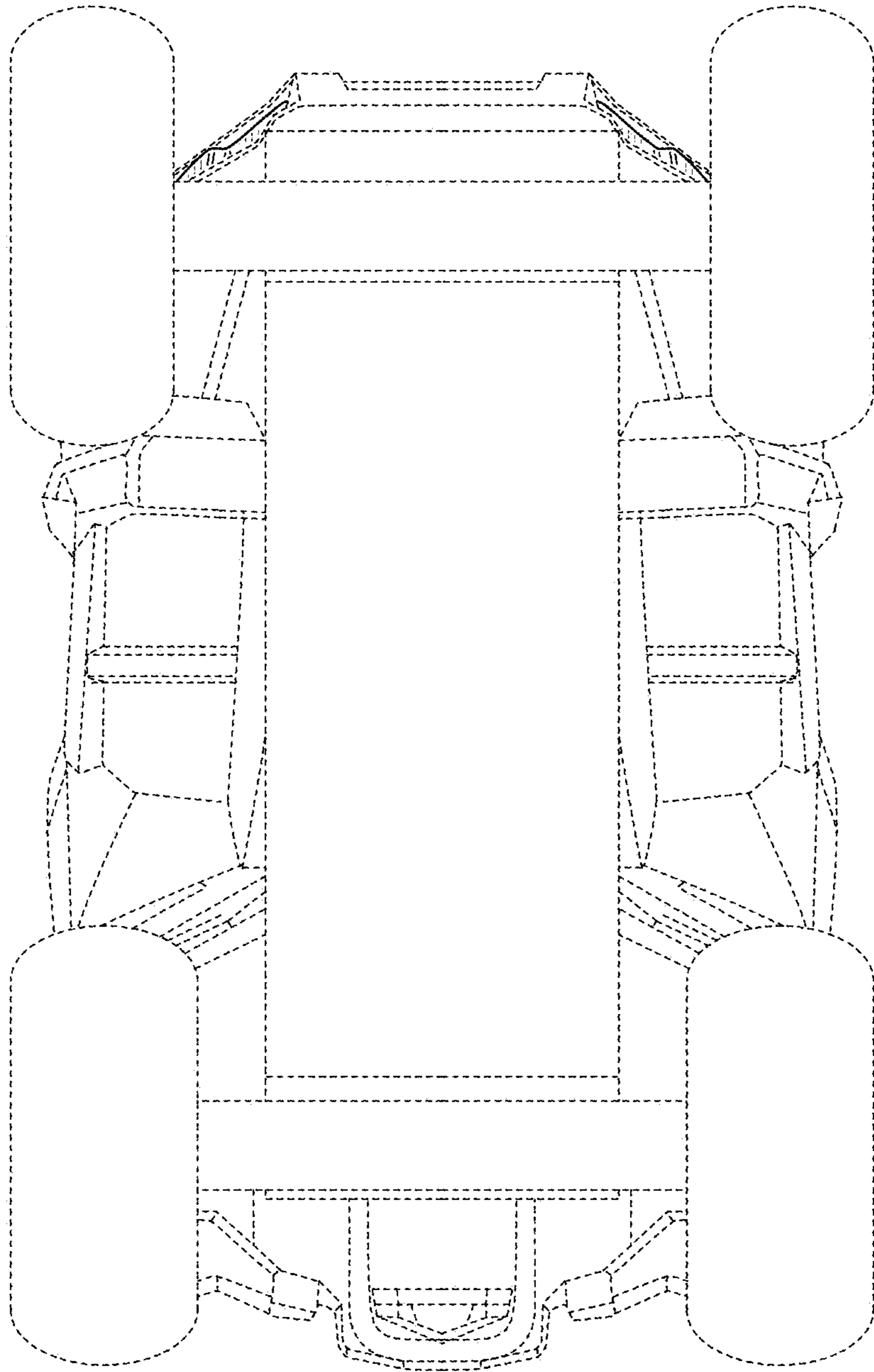


FIG. 8

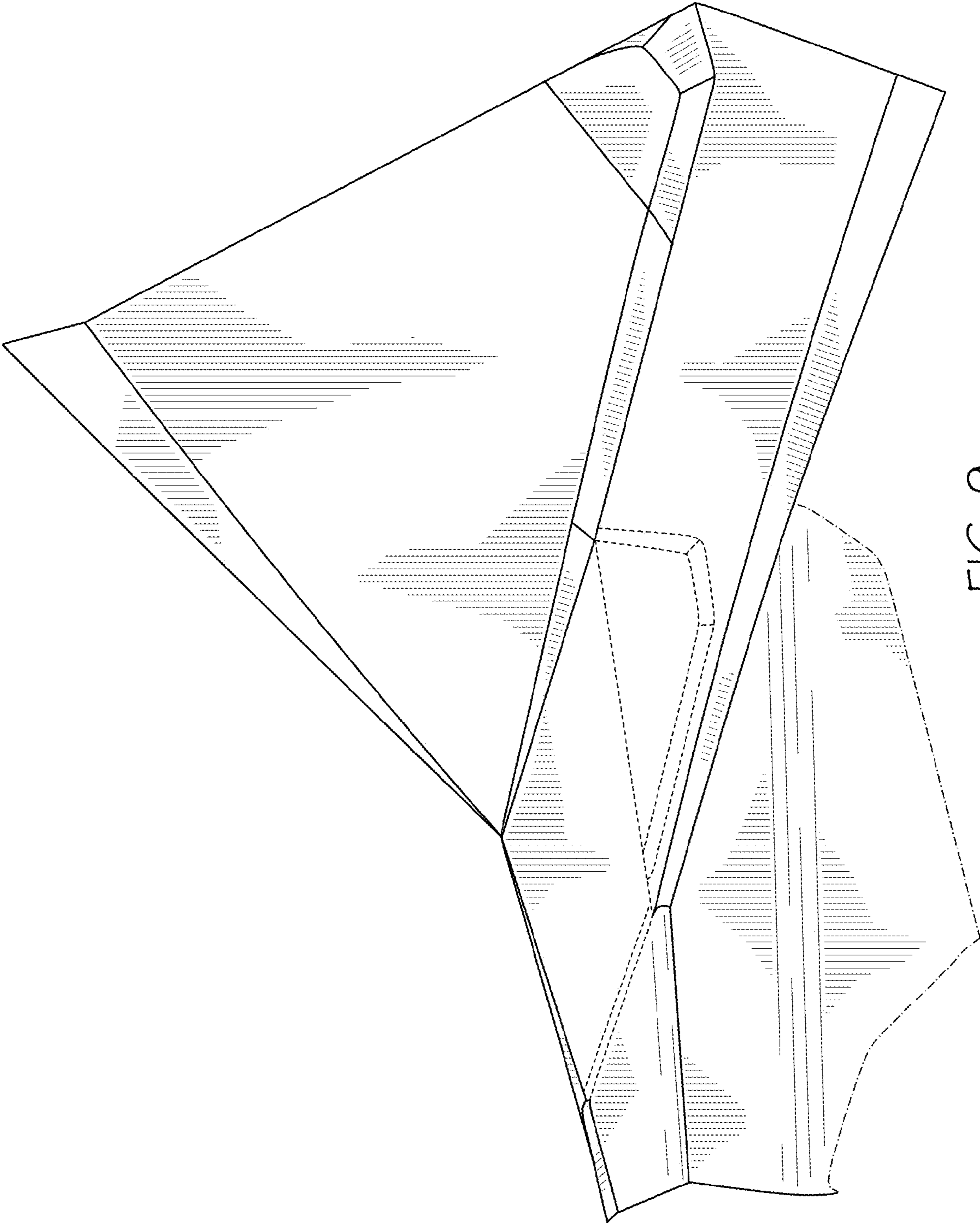


FIG. 9

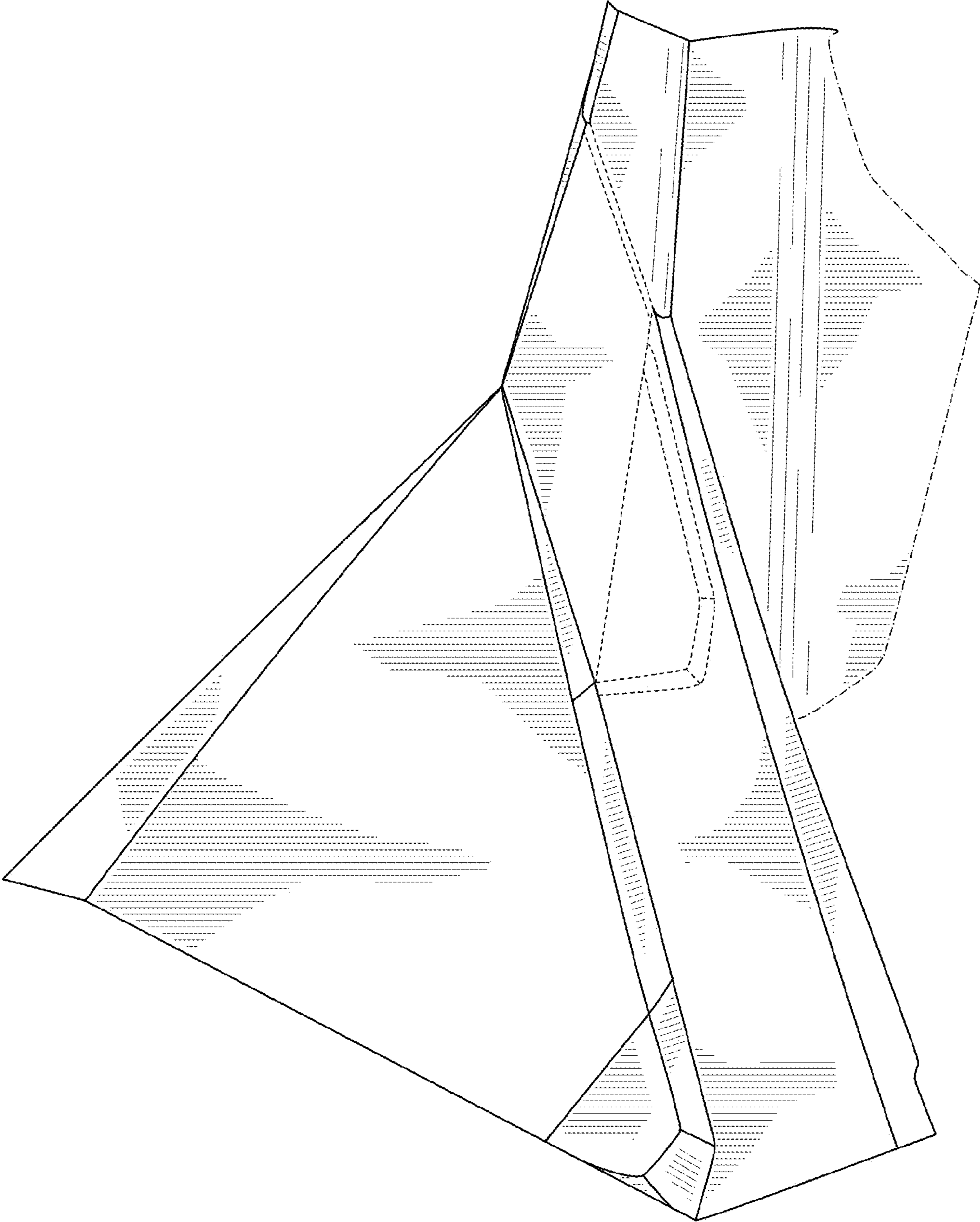


FIG. 10