



US00D935942S

(12) **United States Design Patent**
Bazinet

(10) **Patent No.:** **US D935,942 S**

(45) **Date of Patent:** **** Nov. 16, 2021**

(54) **CAMPING TRAILER**

(71) Applicant: **BAZINET SOLUTION DELIVERY INC.**, Embrun (CA)

(72) Inventor: **Eric Bazinet**, Embrun (CA)

(73) Assignee: **BAZINET SOLUTION DELIVERY INC**

(**) Term: **15 Years**

(21) Appl. No.: **29/738,629**

(22) Filed: **Jun. 18, 2020**

(30) **Foreign Application Priority Data**

Jan. 10, 2020 (CA) 192429

(51) **LOC (13) Cl.** **12-16**

(52) **U.S. Cl.**
USPC **D12/103**

(58) **Field of Classification Search**
USPC D12/19, 121, 100-106, 111-112;
D21/425, 435; D34/21-26, 12, 16-19

(Continued)

(56) **References Cited**

U.S. PATENT DOCUMENTS

D543,902 S * 6/2007 Kelly D12/103
D568,793 S * 5/2008 Oliver D12/103

(Continued)

Primary Examiner — Katrina A Betton

(74) *Attorney, Agent, or Firm* — Bond Schoeneck & King, PLLC

(57) **CLAIM**

The ornamental design for a camping trailer, as shown and described.

DESCRIPTION

FIG. 1 is a front-right, perspective view of the camping trailer;

FIG. 2 is a rear-left, perspective view of the camping trailer shown in FIG. 1;

FIG. 3 is a front view of the camping trailer shown in FIG. 1;

FIG. 4 is a rear view of the camping trailer shown in FIG. 1;

FIG. 5 is a left-side view of the camping trailer shown in FIG. 1;

FIG. 6 is a right-side view of the camping trailer shown in FIG. 1;

FIG. 7 is a top view of the camping trailer shown in FIG. 1;

FIG. 8 is a bottom view of the camping trailer shown in FIG. 1;

FIG. 9 is a front-right, perspective view of a first variant of the camping trailer shown in FIG. 1;

FIG. 10 is a rear-left, perspective view of the camping trailer shown in FIG. 9;

FIG. 11 is a front view of the camping trailer shown in FIG. 9;

FIG. 12 is a rear view of the camping trailer shown in FIG. 9;

FIG. 13 is a left-side view of the camping trailer shown in FIG. 9;

FIG. 14 is a right-side view of the camping trailer shown in FIG. 9;

FIG. 15 is a top view of the camping trailer shown in FIG. 9;

FIG. 16 is a bottom view of the camping trailer shown in FIG. 9;

FIG. 17 is a front-right, perspective view of a second variant of the camping trailer shown in FIG. 1;

FIG. 18 is a rear-left, perspective view of the camping trailer shown in FIG. 17;

FIG. 19 is a front view of the camping trailer shown in FIG. 17;

FIG. 20 is a rear view of the camping trailer shown in FIG. 17;

FIG. 21 is a left-side view of the camping trailer shown in FIG. 17;

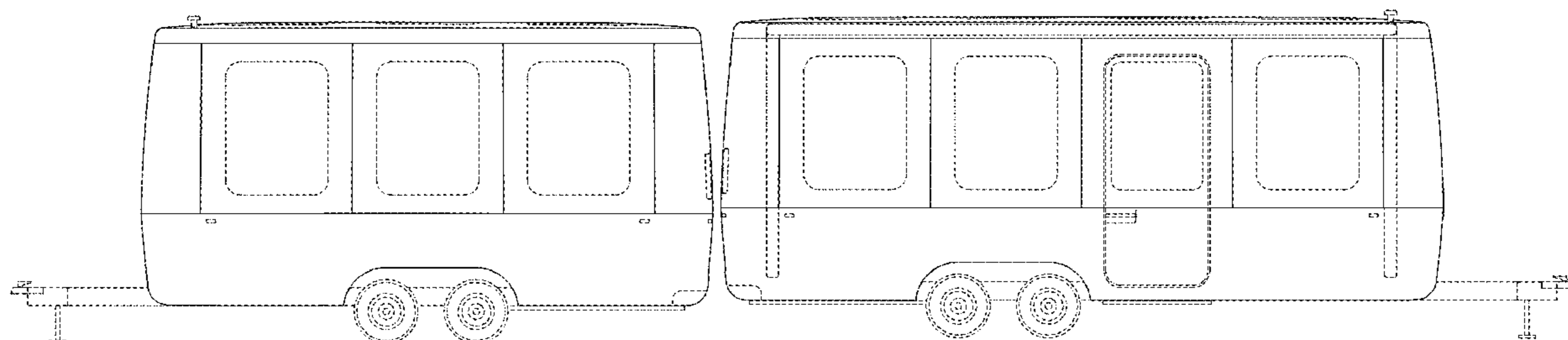
FIG. 22 is a right-side view of the camping trailer shown in FIG. 17;

FIG. 23 is a top view of the camping trailer shown in FIG. 17; and,

FIG. 24 is a bottom view of the camping trailer shown in FIG. 17.

The broken lines in the drawings define the bounds of the claimed design and form no part thereof.

1 Claim, 9 Drawing Sheets



(58) **Field of Classification Search**

CPC .. B62D 35/00; B62D 33/077; B62D 33/0612;
B62D 24/04; B60P 3/10; B60P 3/1033;
B60P 3/0257; B60P 3/38; B60P 3/34;
E01F 15/14

See application file for complete search history.

(56) **References Cited**

U.S. PATENT DOCUMENTS

D617,685 S *	6/2010	Rodabaugh	D12/103
D689,402 S *	9/2013	Lee	D12/103
D707,591 S *	6/2014	Sands	D12/103
D833,915 S *	11/2018	Tatro	D12/103
D851,194 S *	6/2019	Kidson	D21/835
D854,453 S *	7/2019	Roberts	D12/103
D864,035 S *	10/2019	Hill	D12/103
D864,791 S *	10/2019	Roberts	D12/103
D867,934 S *	11/2019	Gaesser	D12/103
D879,666 S *	3/2020	Gerzeny	D12/103
D886,682 S *	6/2020	Matthews	D12/103

* cited by examiner

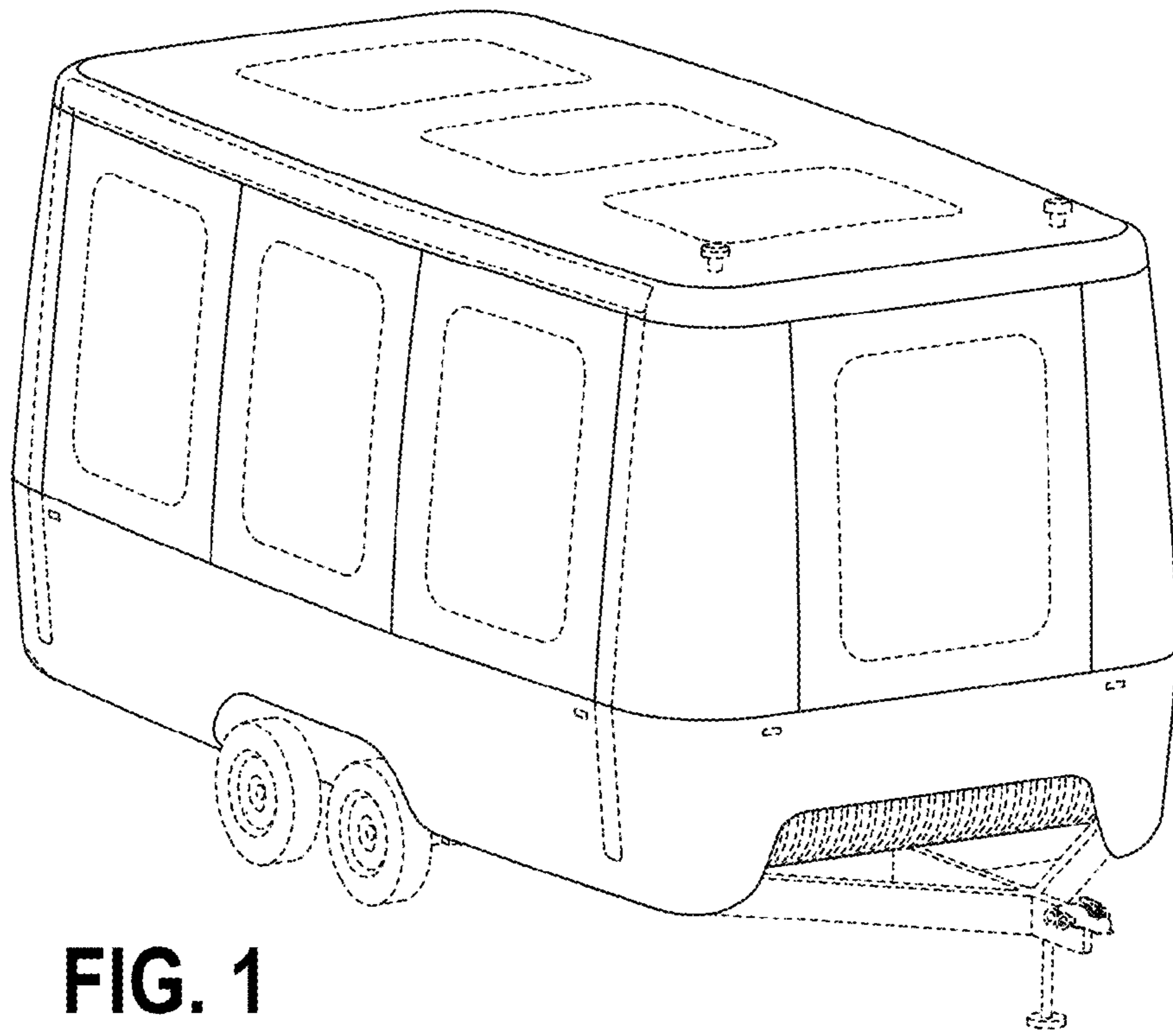


FIG. 1

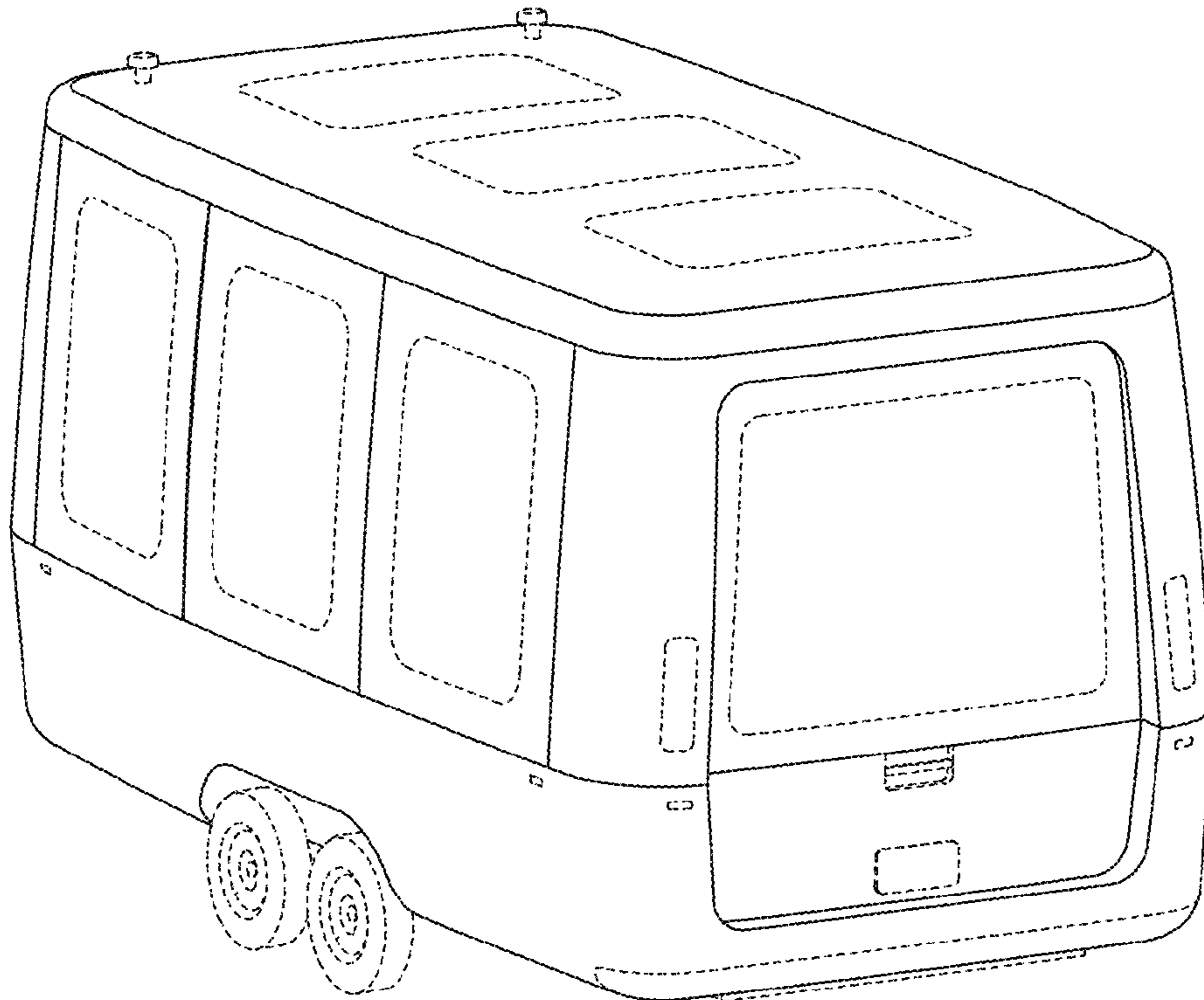


FIG. 2

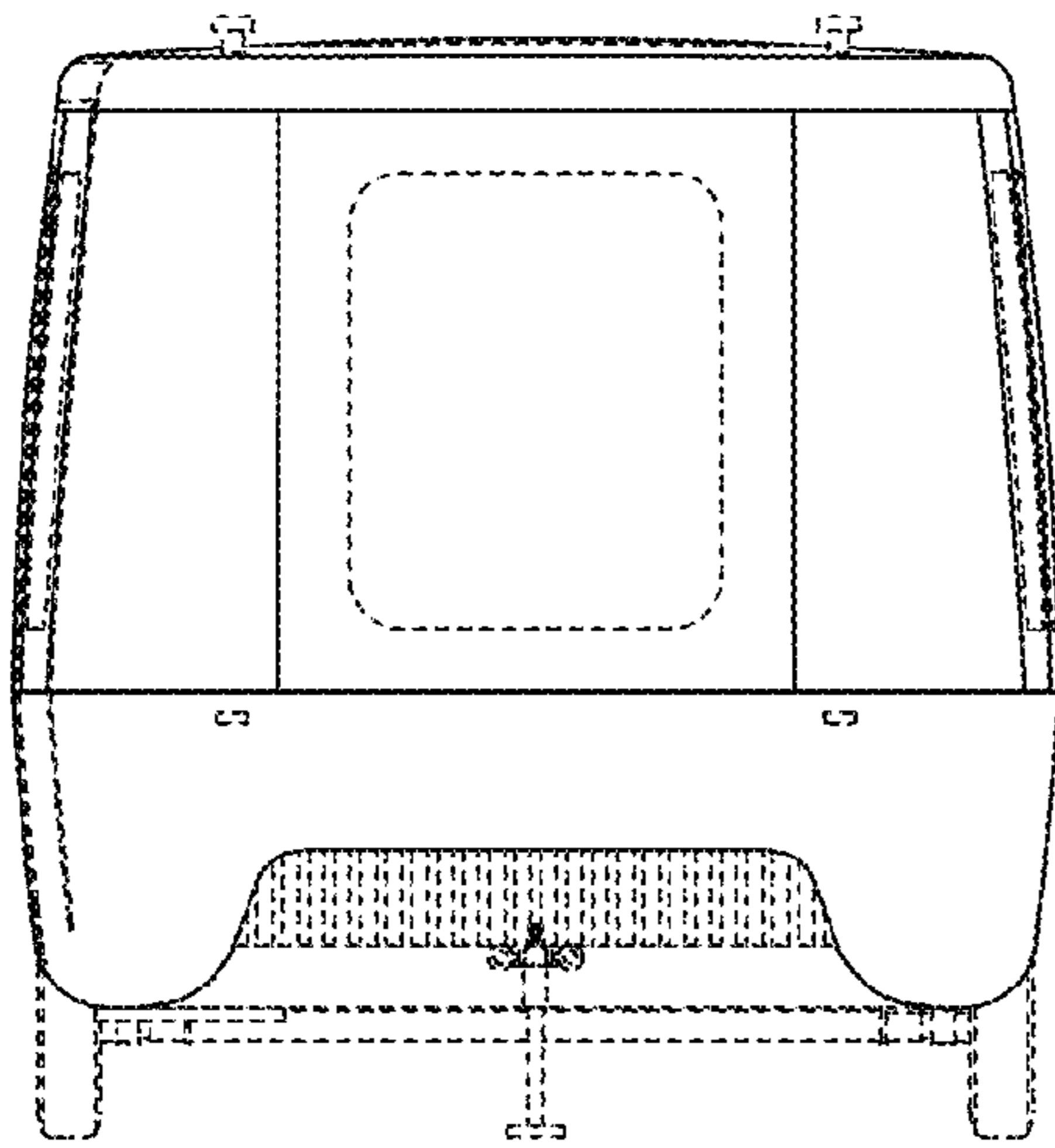


FIG. 3

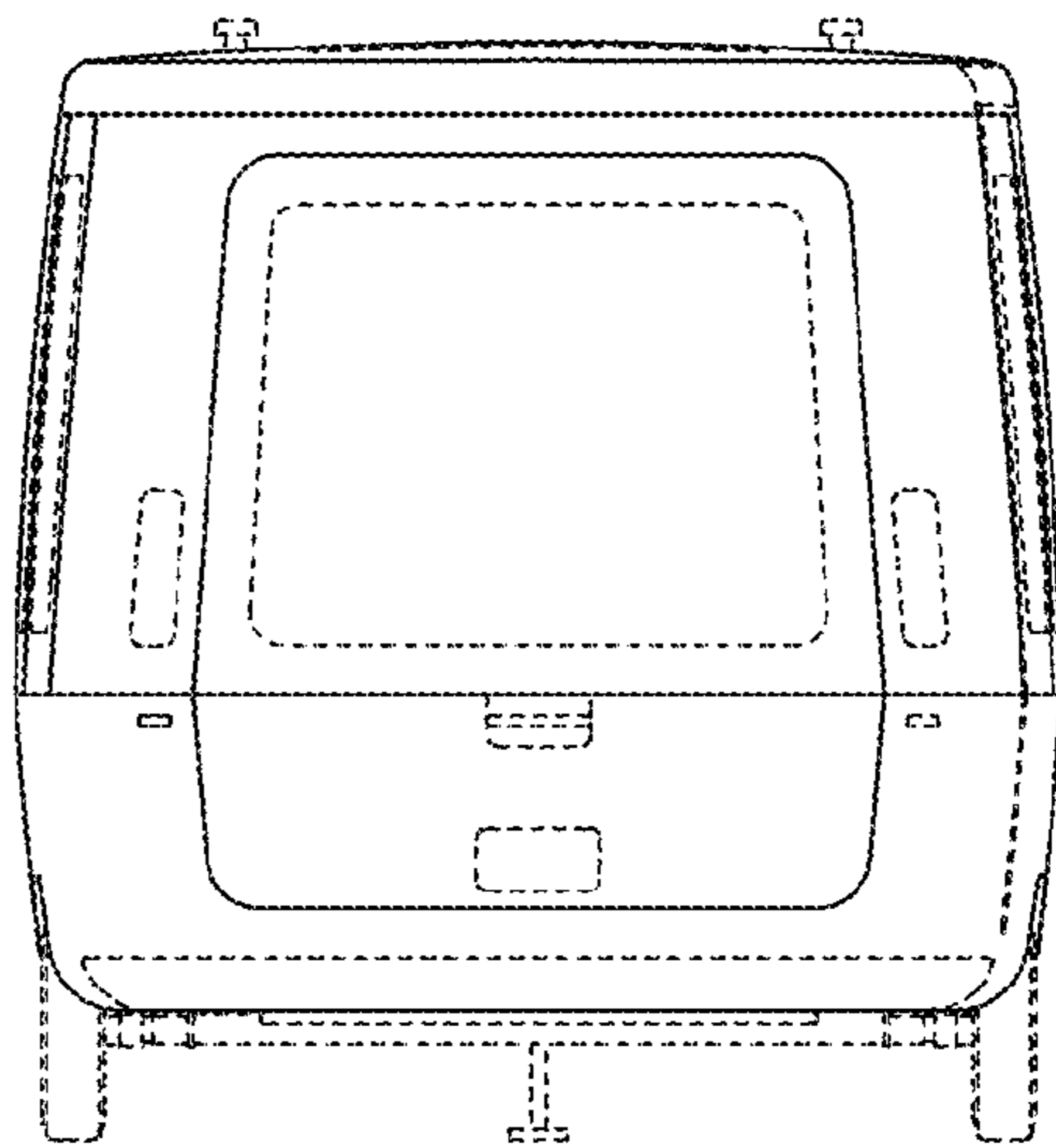


FIG. 4

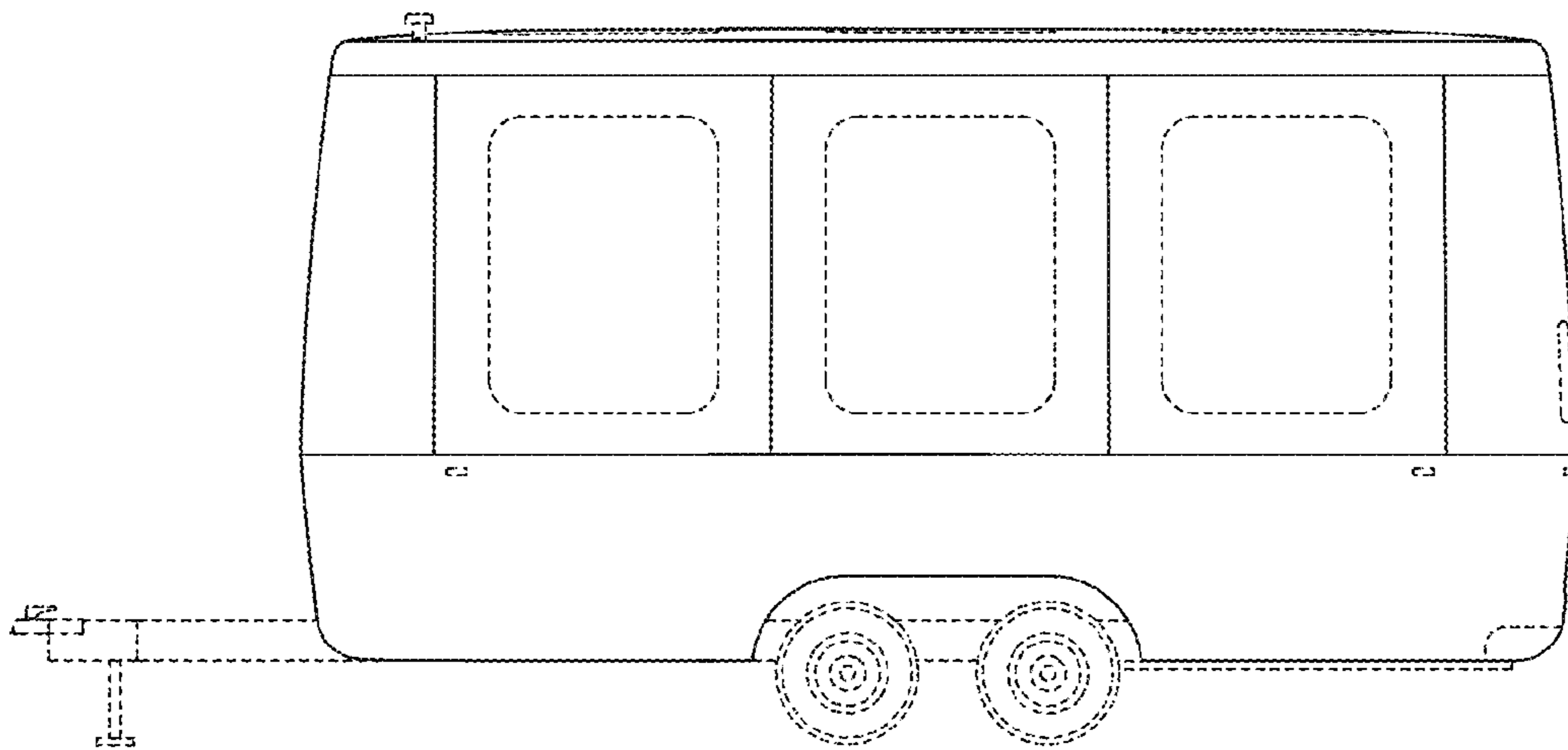


FIG. 5

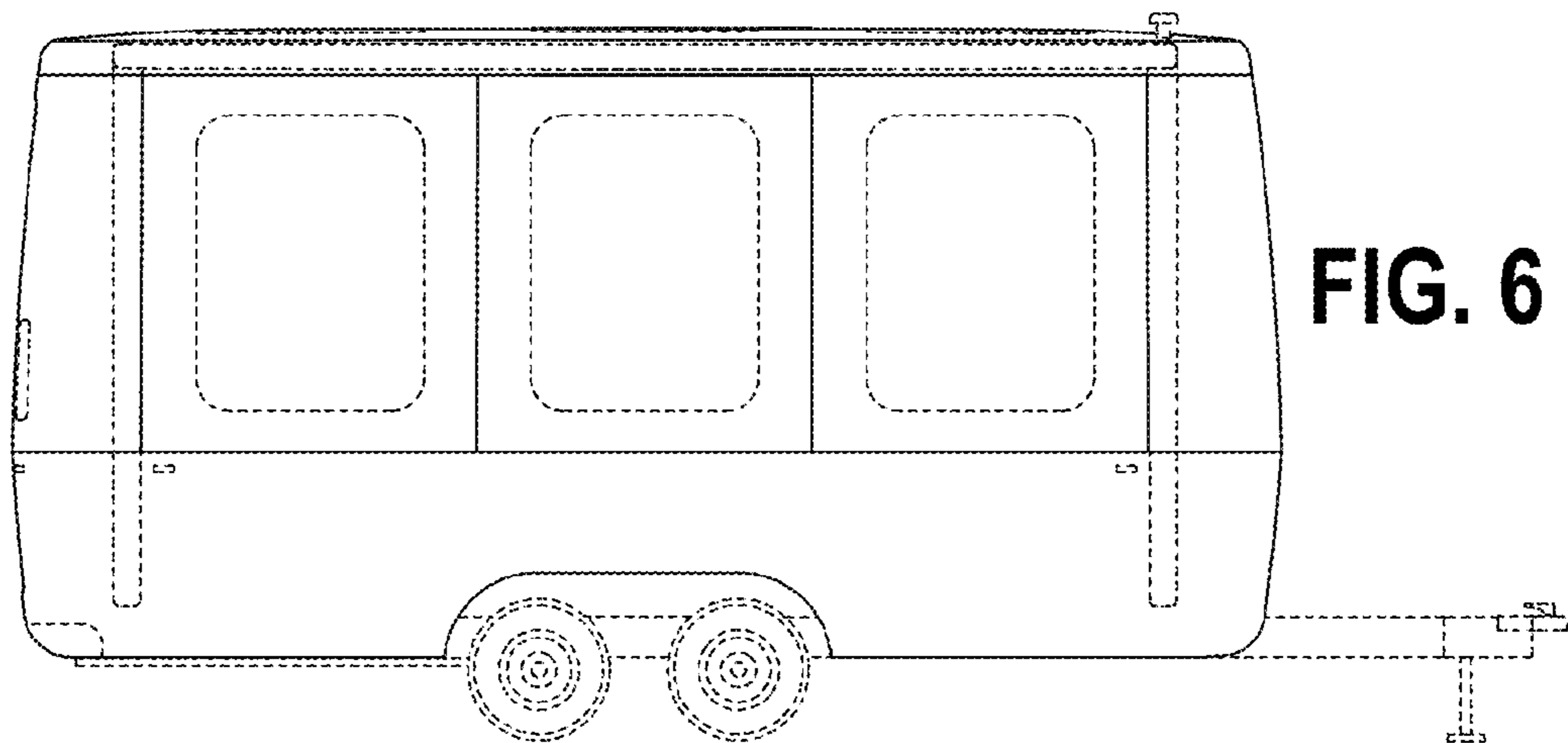


FIG. 6

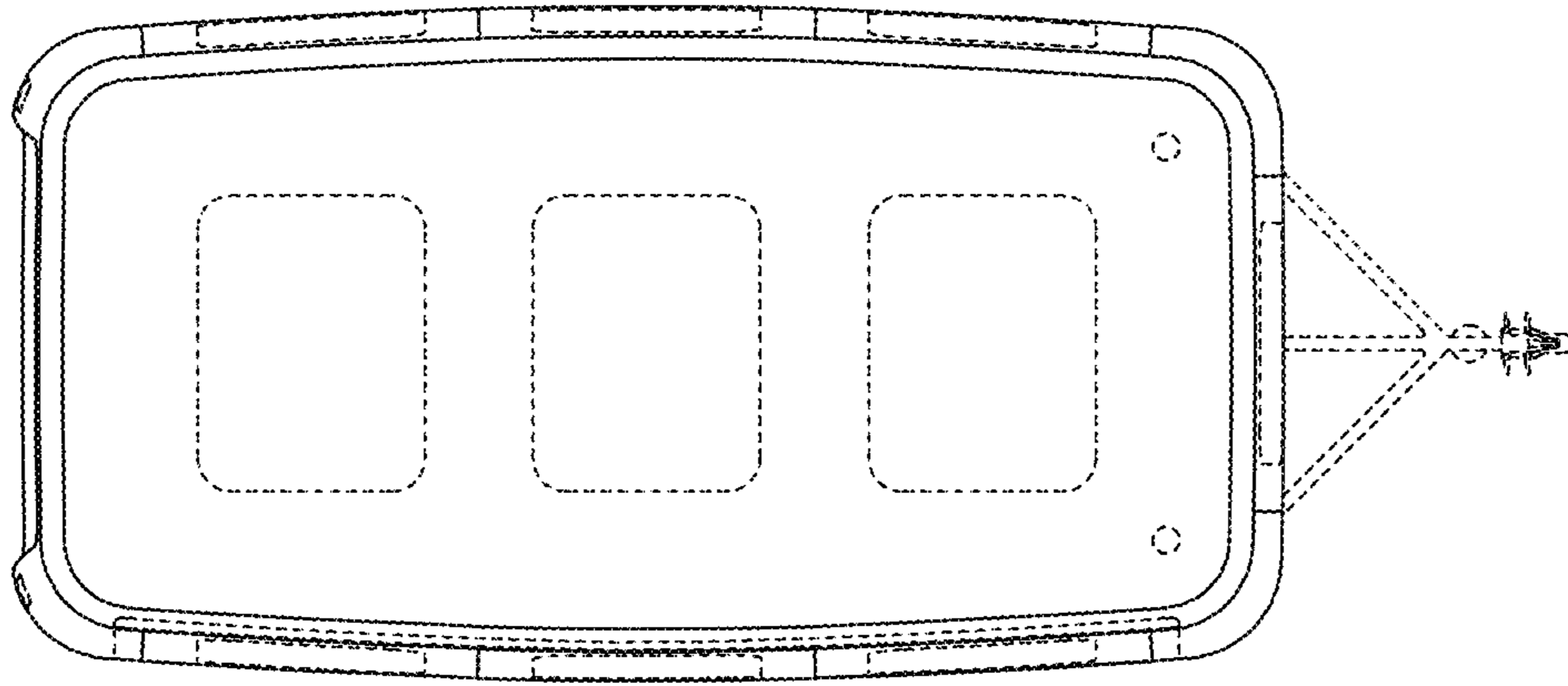


FIG. 7

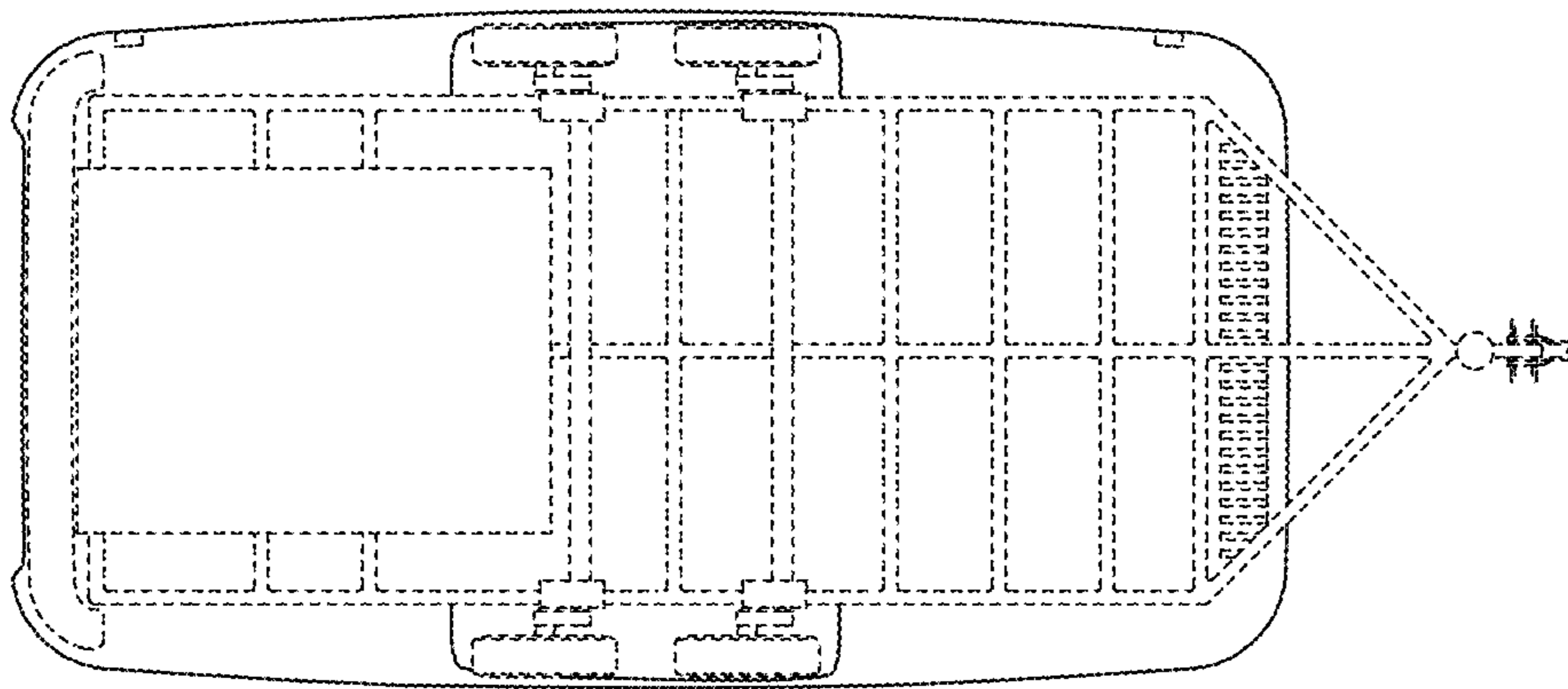


FIG. 8

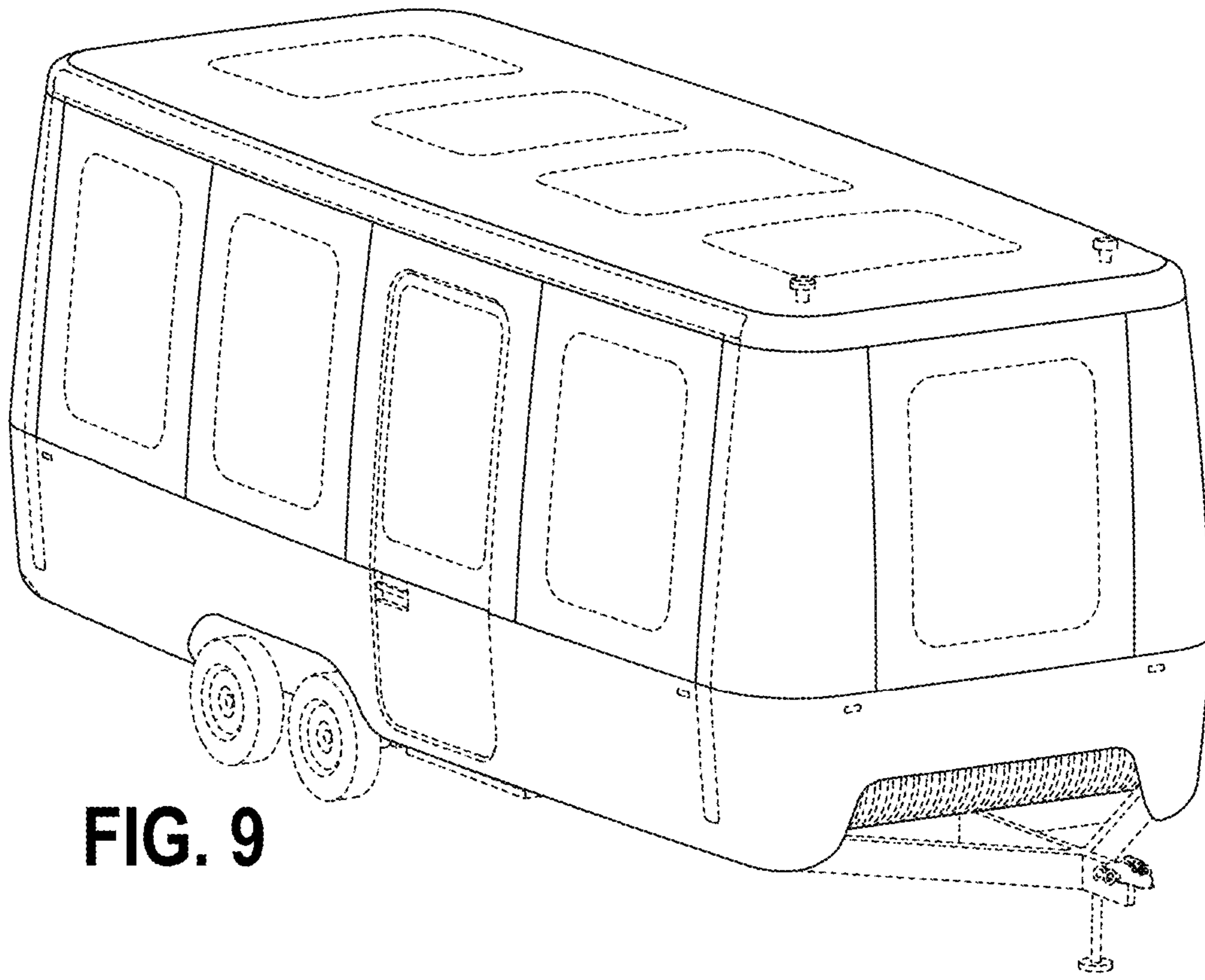


FIG. 9

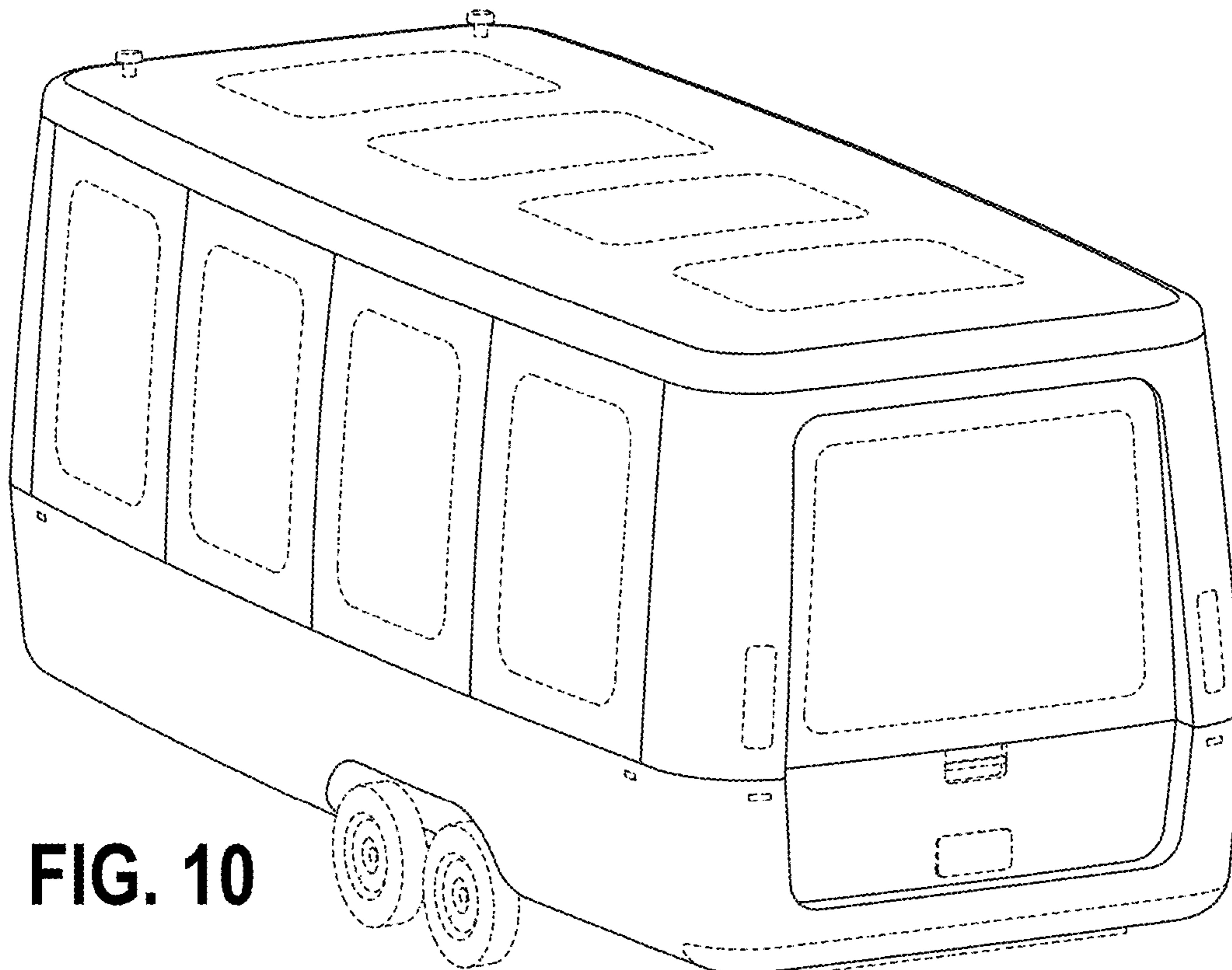


FIG. 10

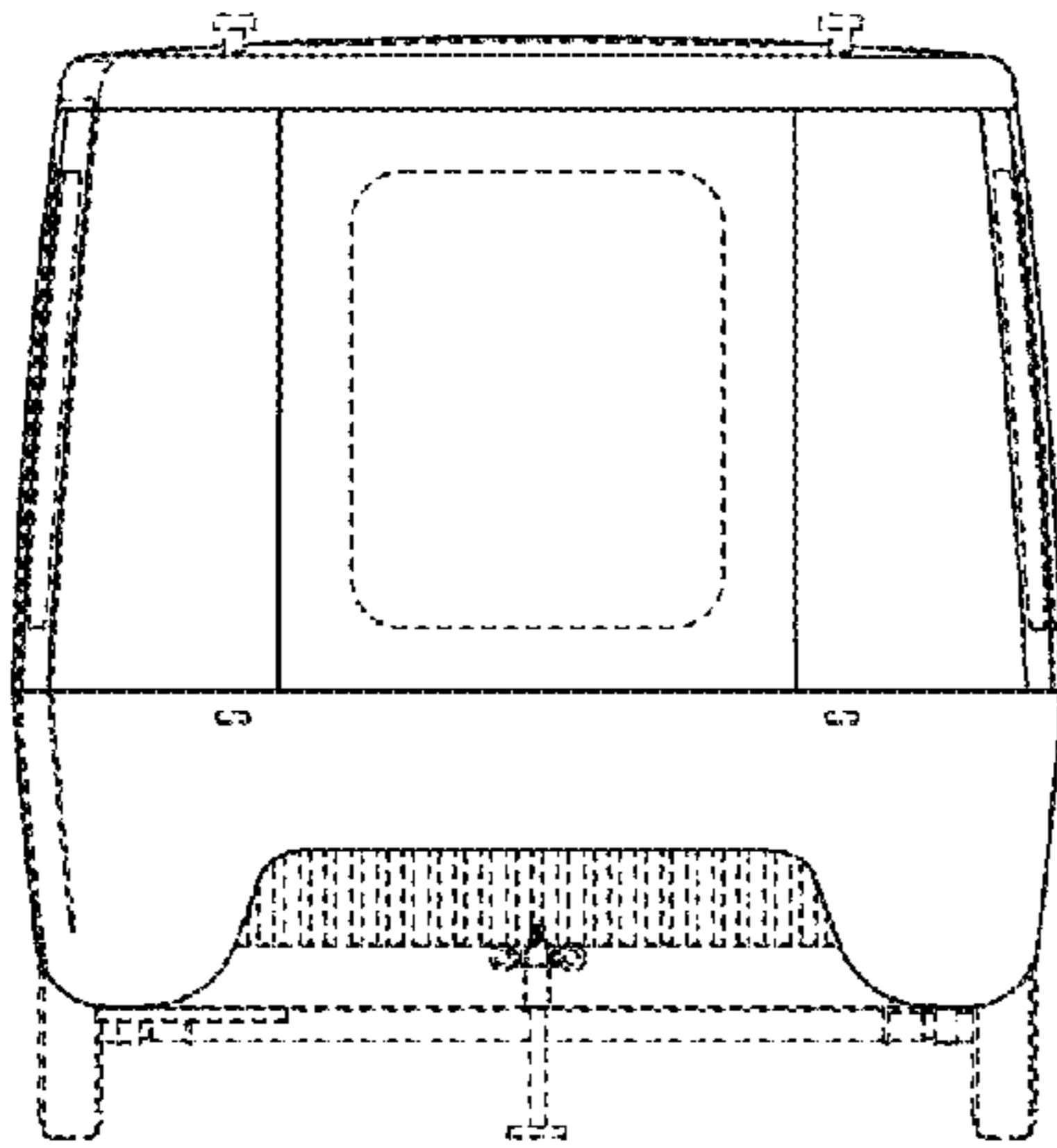


FIG. 11

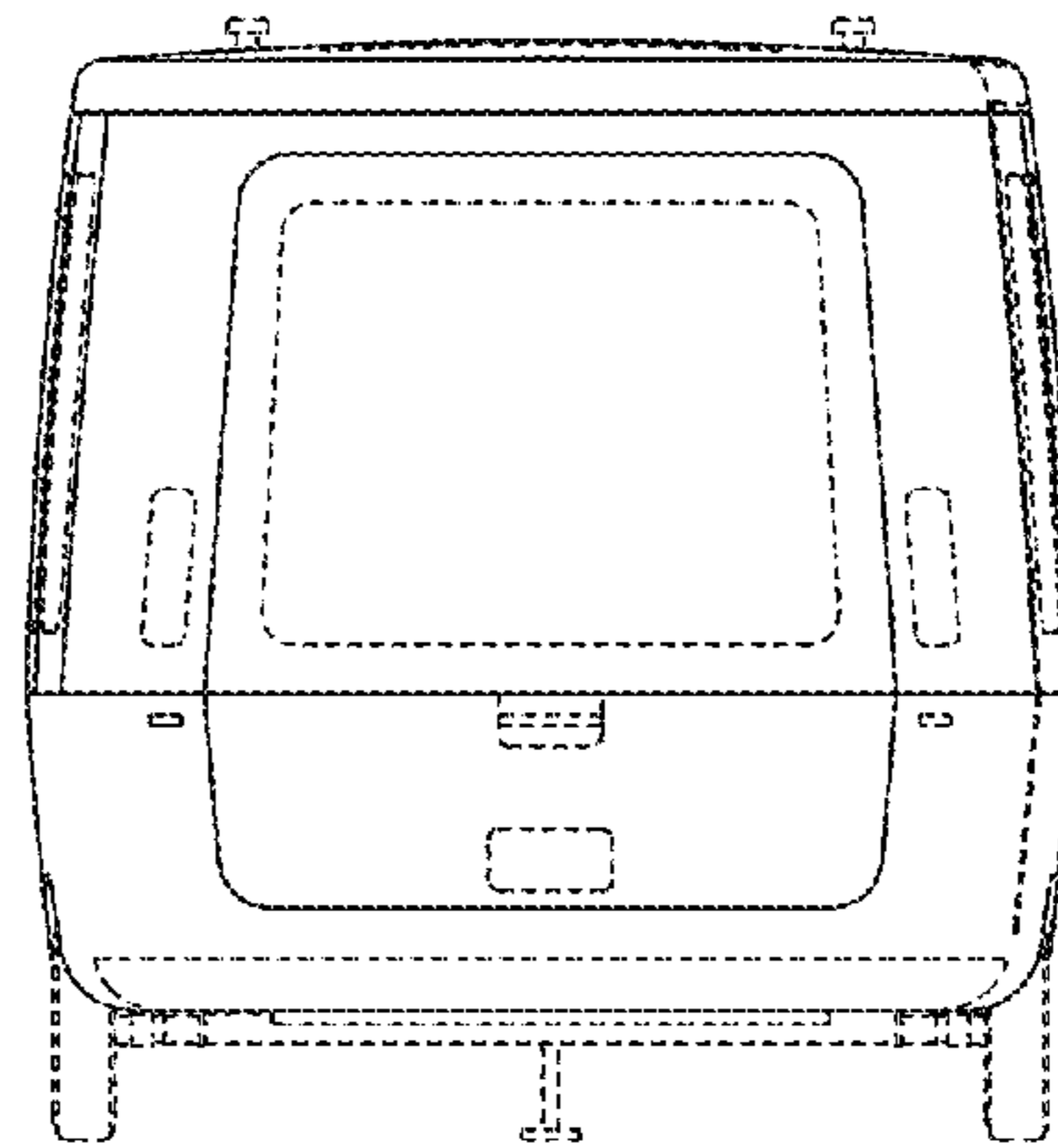


FIG. 12

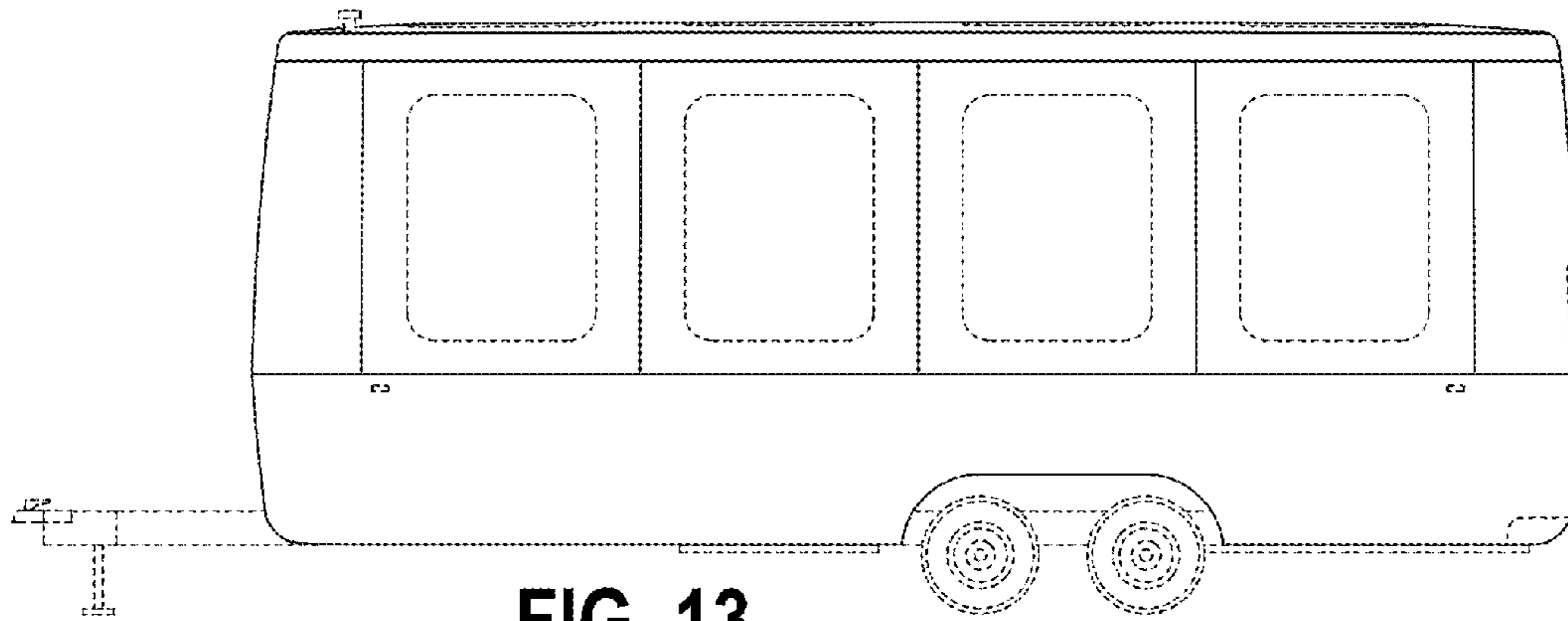


FIG. 13

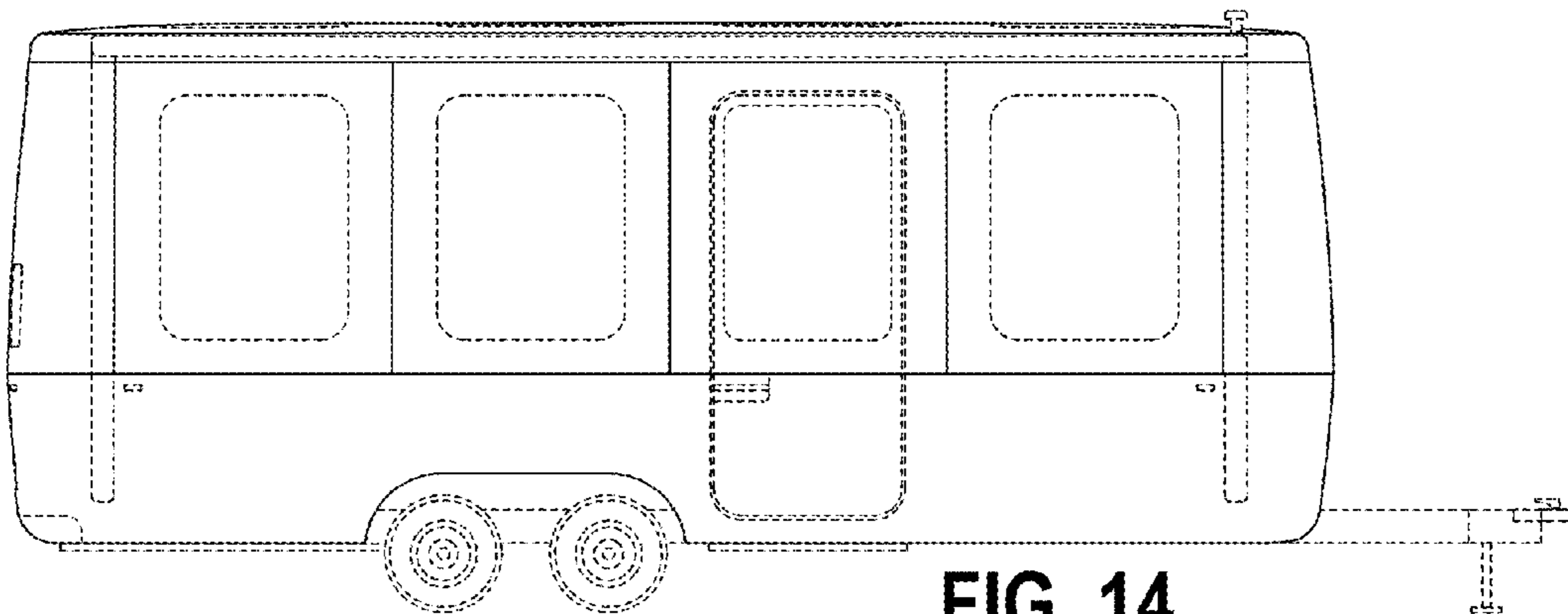


FIG. 14

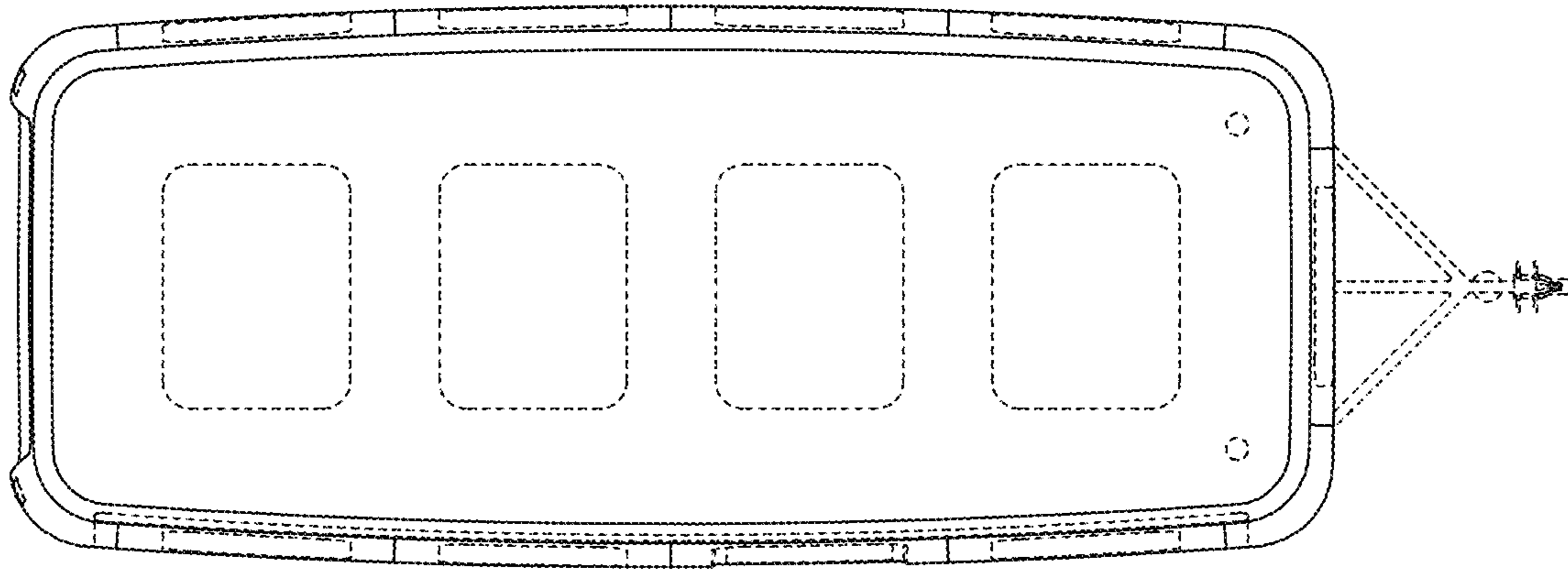


FIG. 15

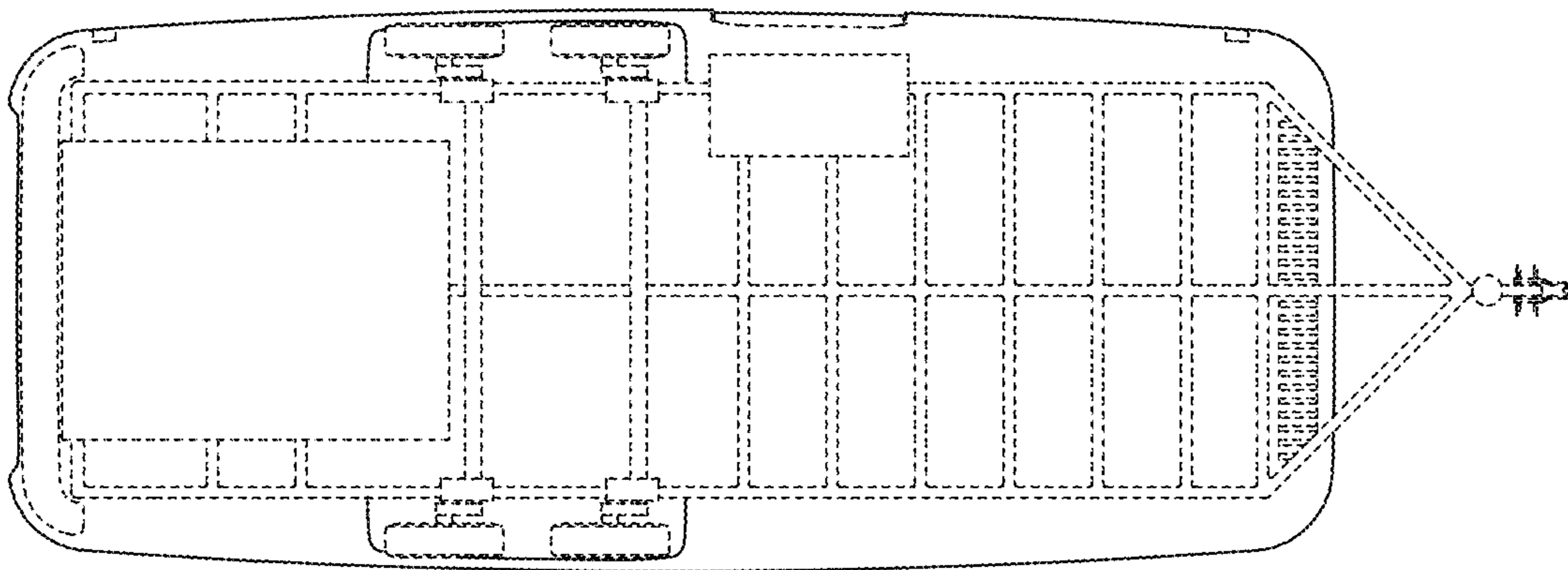


FIG. 16

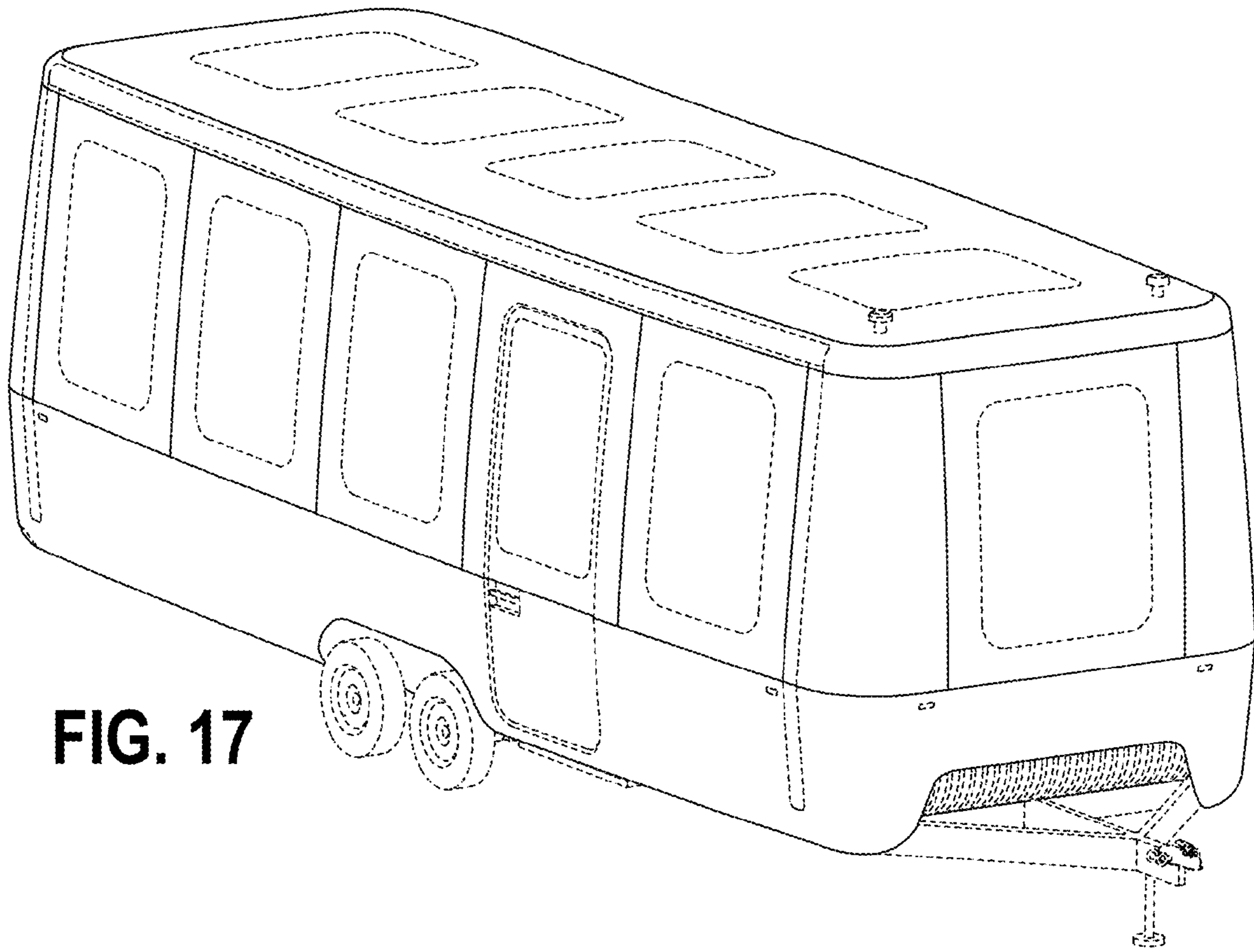


FIG. 17

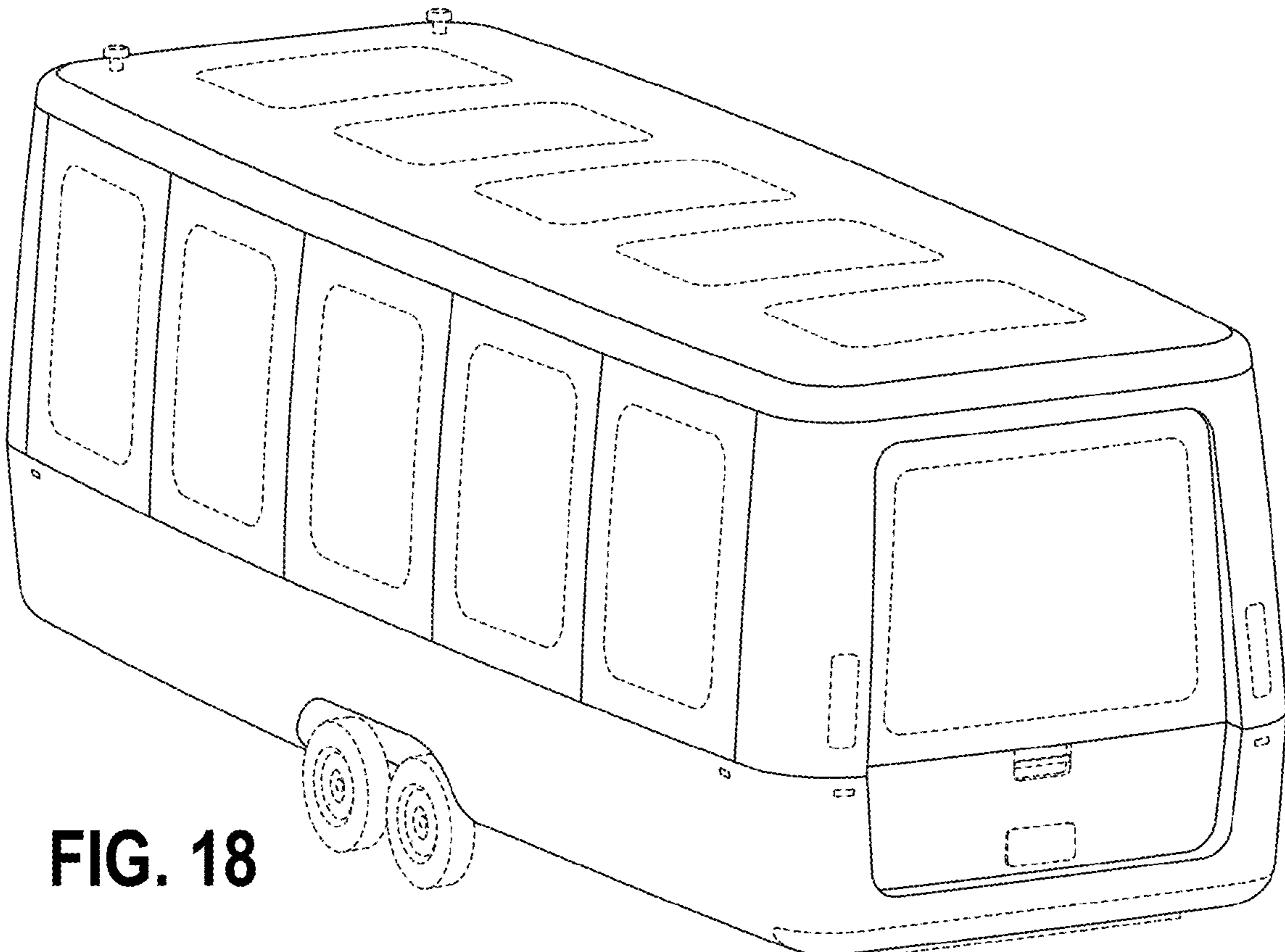


FIG. 18

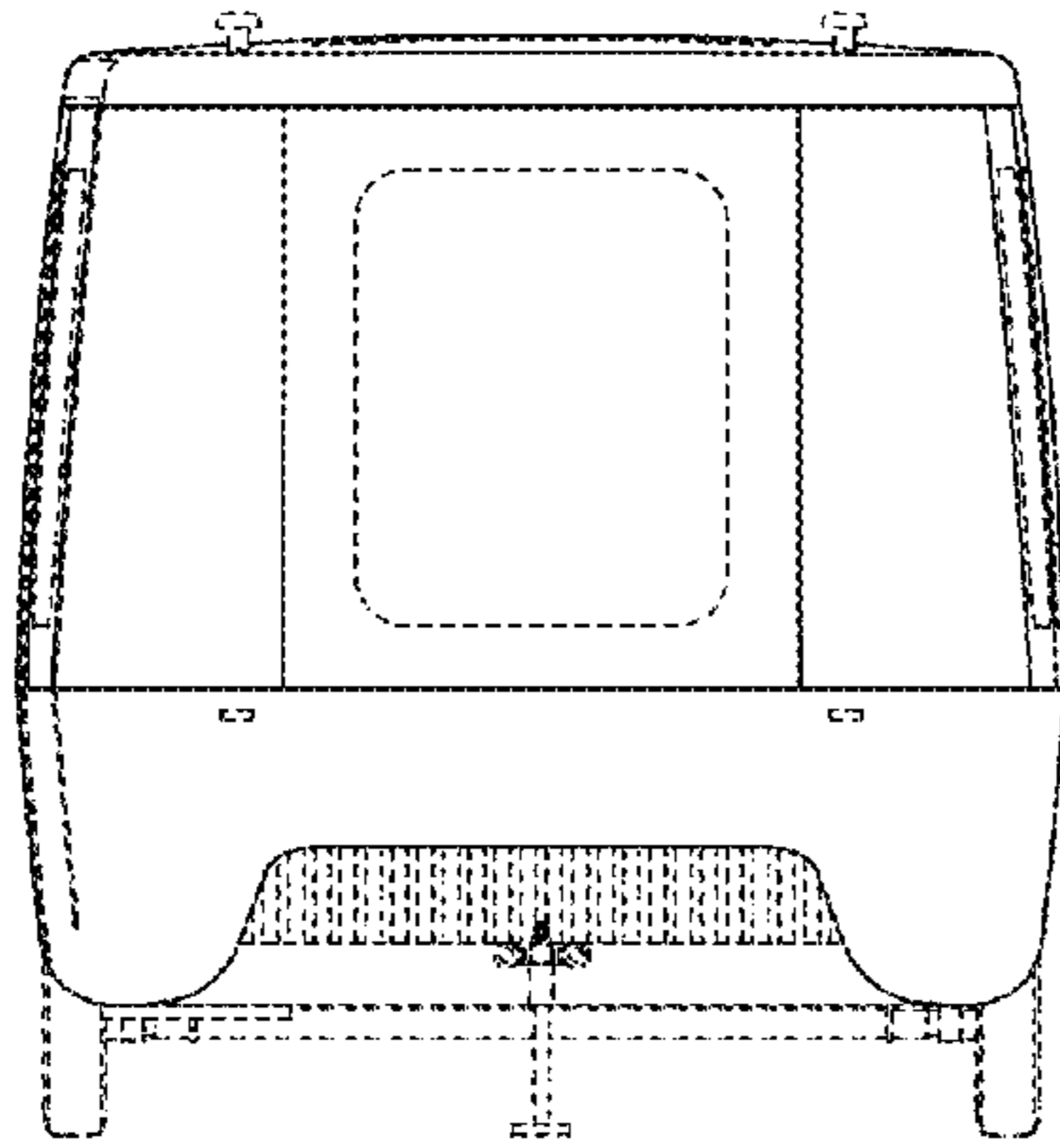


FIG. 19

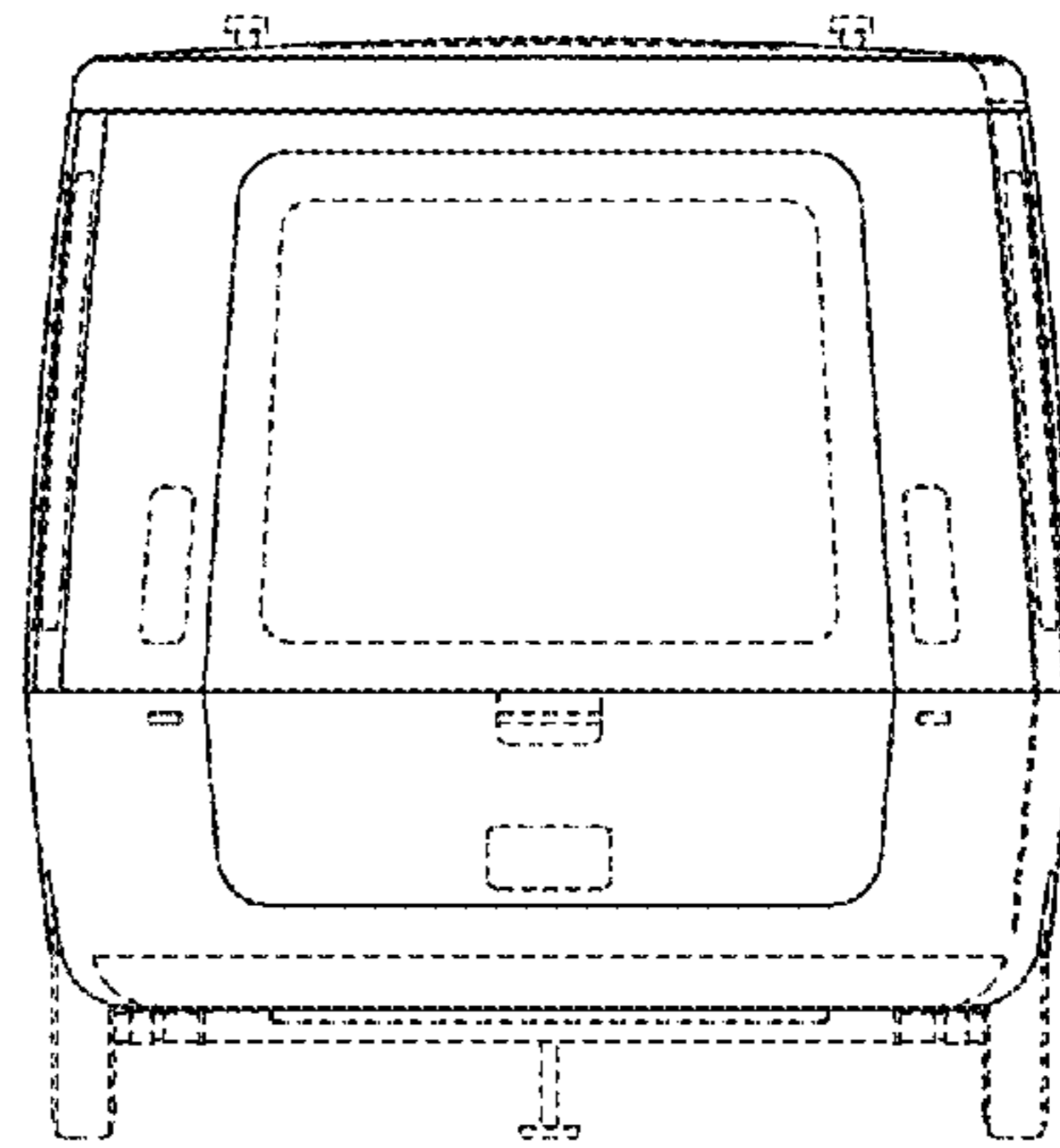


FIG. 20

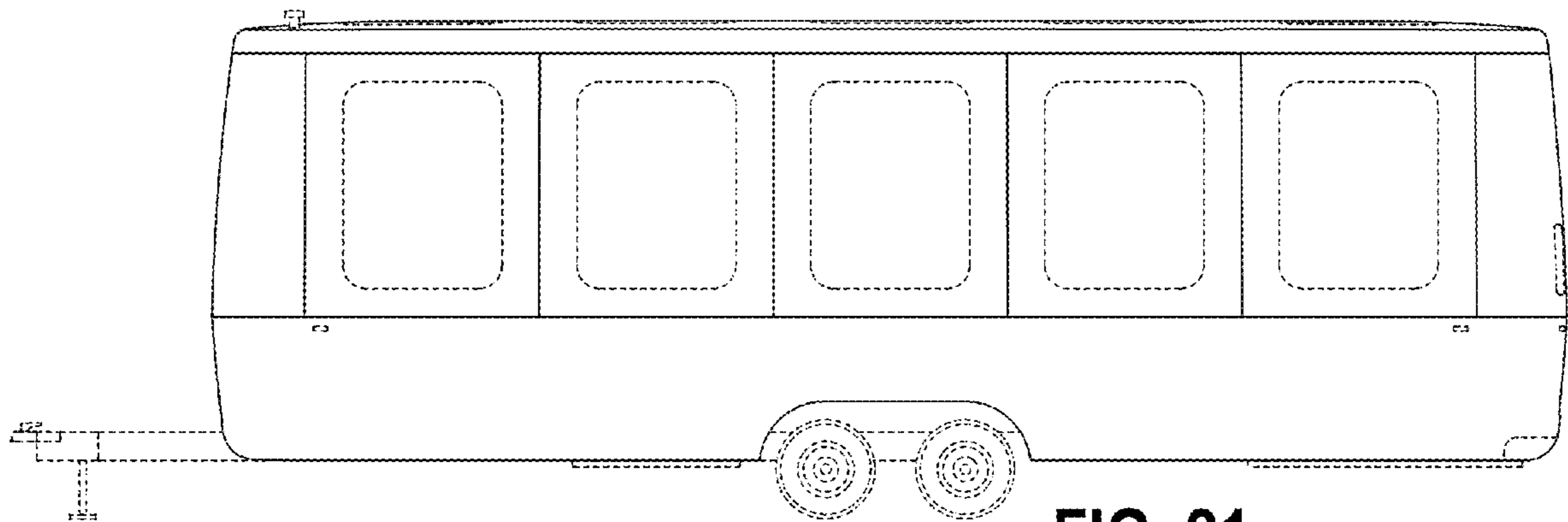


FIG. 21

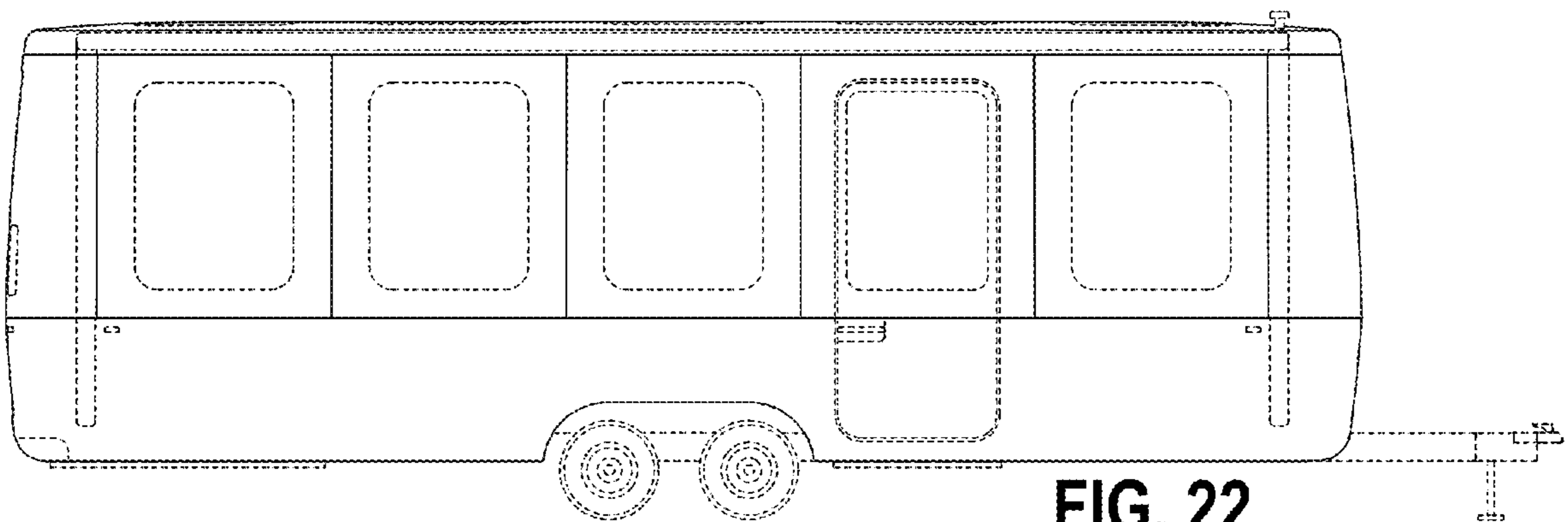


FIG. 22

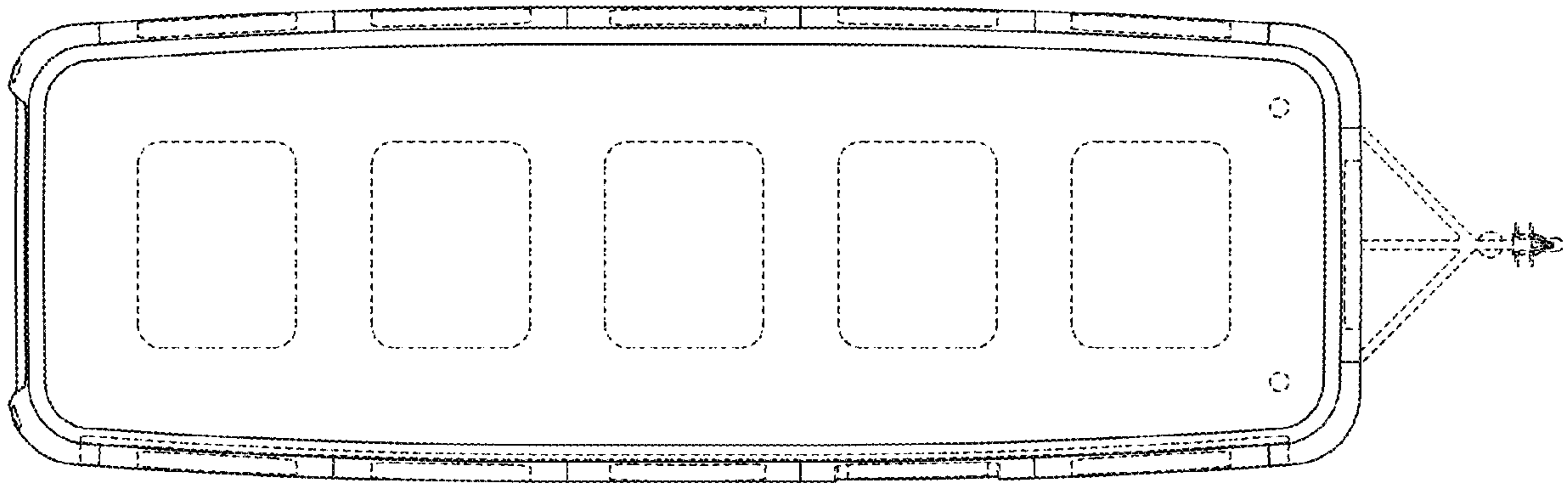


FIG. 23

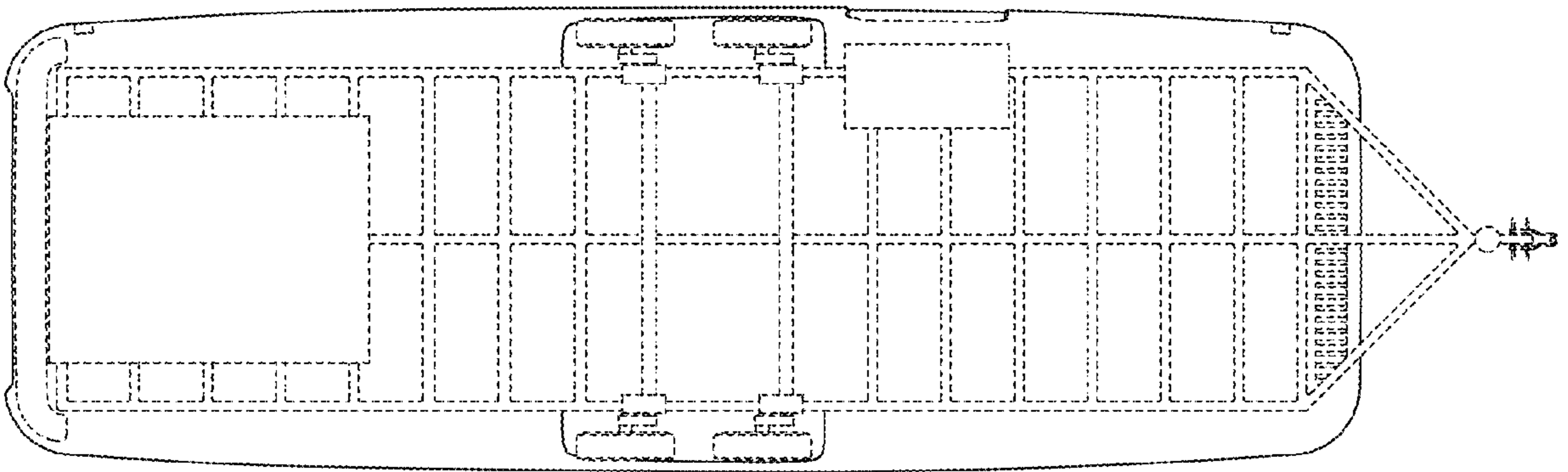


FIG. 24