



US00D935940S

(12) **United States Design Patent** (10) **Patent No.:** **US D935,940 S**
Langhals et al. (45) **Date of Patent:** **** Nov. 16, 2021**

(54) **AUTOMOBILE BODY**
(71) Applicants: **Taylor A. Langhals**, Waterford, MI (US); **Tome Jovanoski**, Shelby Township, MI (US); **Timothy W. Anness**, Rochester Hills, MI (US)
(72) Inventors: **Taylor A. Langhals**, Waterford, MI (US); **Tome Jovanoski**, Shelby Township, MI (US); **Timothy W. Anness**, Rochester Hills, MI (US)
(73) Assignee: **FCA US LLC**, Auburn Hills, MI (US)

D693,737 S * 11/2013 Hammoud D12/91
D703,583 S * 4/2014 Howell D12/91
D711,784 S * 8/2014 Galante D12/91
D723,425 S * 3/2015 Glover D12/91
D728,425 S * 5/2015 Glover D12/91
D761,695 S * 7/2016 Faghihzadeh D12/92
D801,861 S * 11/2017 Hubers D12/91
D805,956 S * 12/2017 Galante D12/91
D817,816 S * 5/2018 Hoste D12/91
D823,722 S * 7/2018 Hoste D12/91
D847,025 S * 4/2019 Zavatski D12/91
D860,863 S * 9/2019 Jonason D12/91
D865,565 S * 11/2019 Hubers D12/91
D865,566 S * 11/2019 Jonason D12/91

* cited by examiner

(**) Term: **15 Years**

Primary Examiner — Melody N Brown

(21) Appl. No.: **29/727,316**

(74) *Attorney, Agent, or Firm* — Ralph E. Smith

(22) Filed: **Mar. 10, 2020**

(57) **CLAIM**

(51) **LOC (13) Cl.** **12-08**

The ornamental design for an automobile body, as shown and described.

(52) **U.S. Cl.**

USPC **D12/91**

(58) **Field of Classification Search**

DESCRIPTION

USPC D12/86, 90–92, 88, 164; D21/424, 433, D21/434; 296/181.1–181.5, 183.1
CPC B62D 25/00; B62D 25/06; B62D 33/00; B62D 35/00

See application file for complete search history.

FIG. 1 is a front and left side perspective view of an automotive body showing our new design;
FIG. 2 is a rear and left side perspective view thereof;
FIG. 3 is a front elevational view thereof;
FIG. 4 is a rear elevational view thereof;
FIG. 5 is a left side elevational view thereof;
FIG. 6 is a right side elevational view thereof; and,
FIG. 7 is a top plan view thereof.

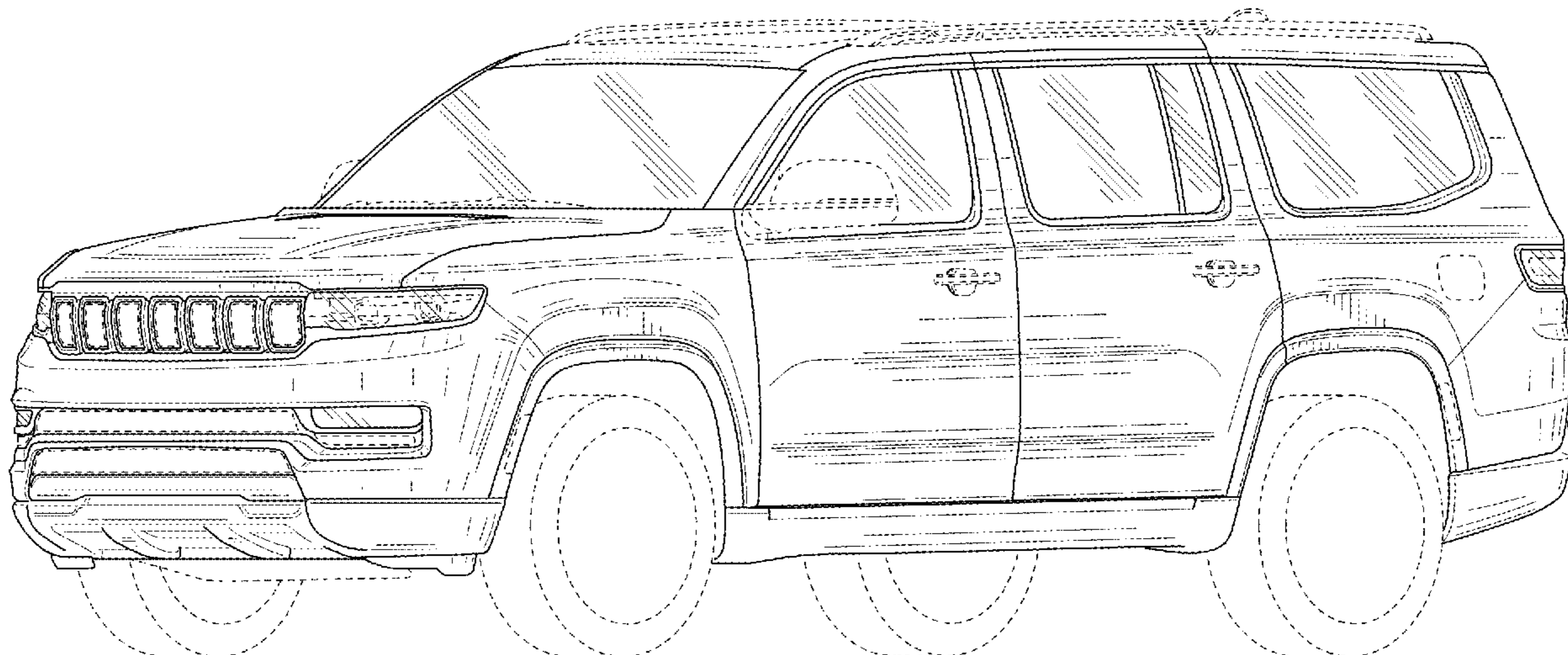
(56) **References Cited**

U.S. PATENT DOCUMENTS

D420,939 S * 2/2000 Faurote D12/91
D500,460 S * 1/2005 Allen D12/91
D534,097 S * 12/2006 Renkert D12/91
D551,124 S * 9/2007 Aneiros D12/92
D650,721 S * 12/2011 Galante D12/91

The portions of the automobile shown in broken lines are for illustrative and environmental purposes and form no part of the claimed design.

1 Claim, 6 Drawing Sheets



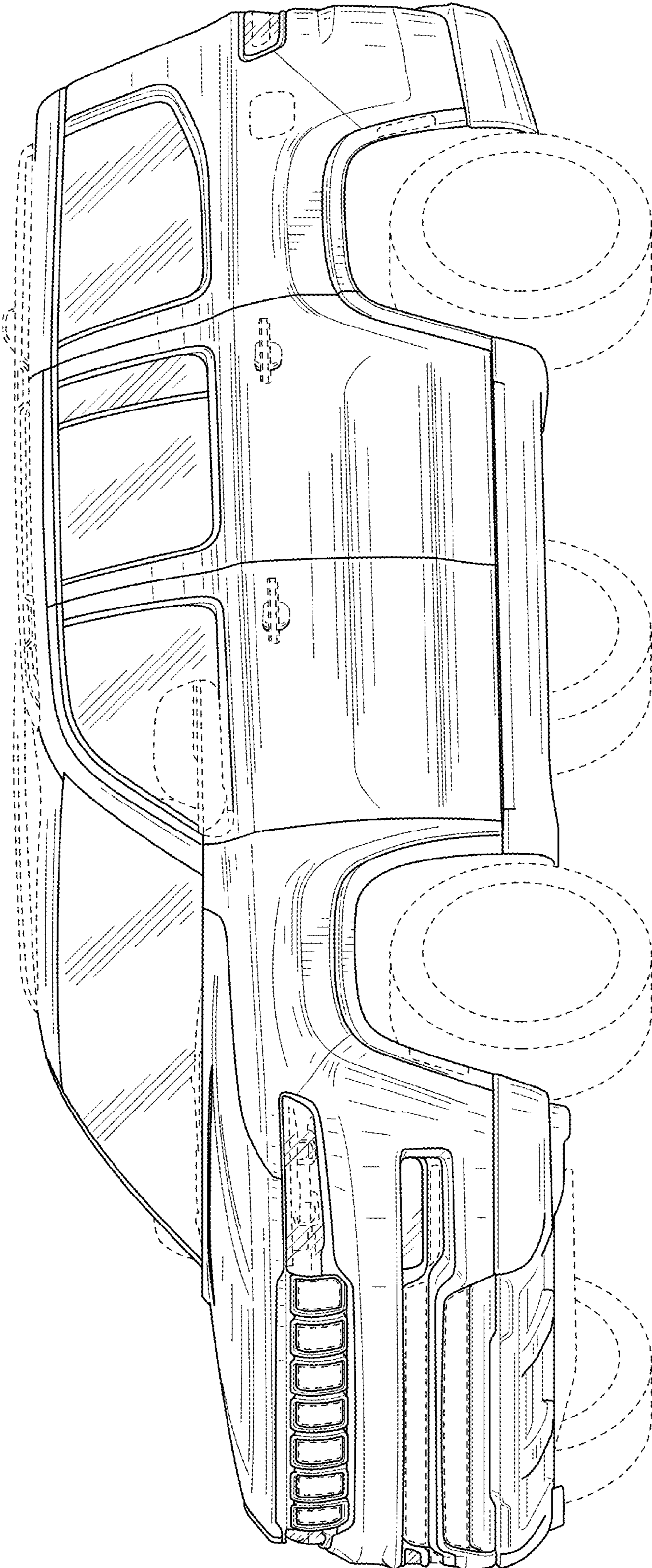


FIG. 1

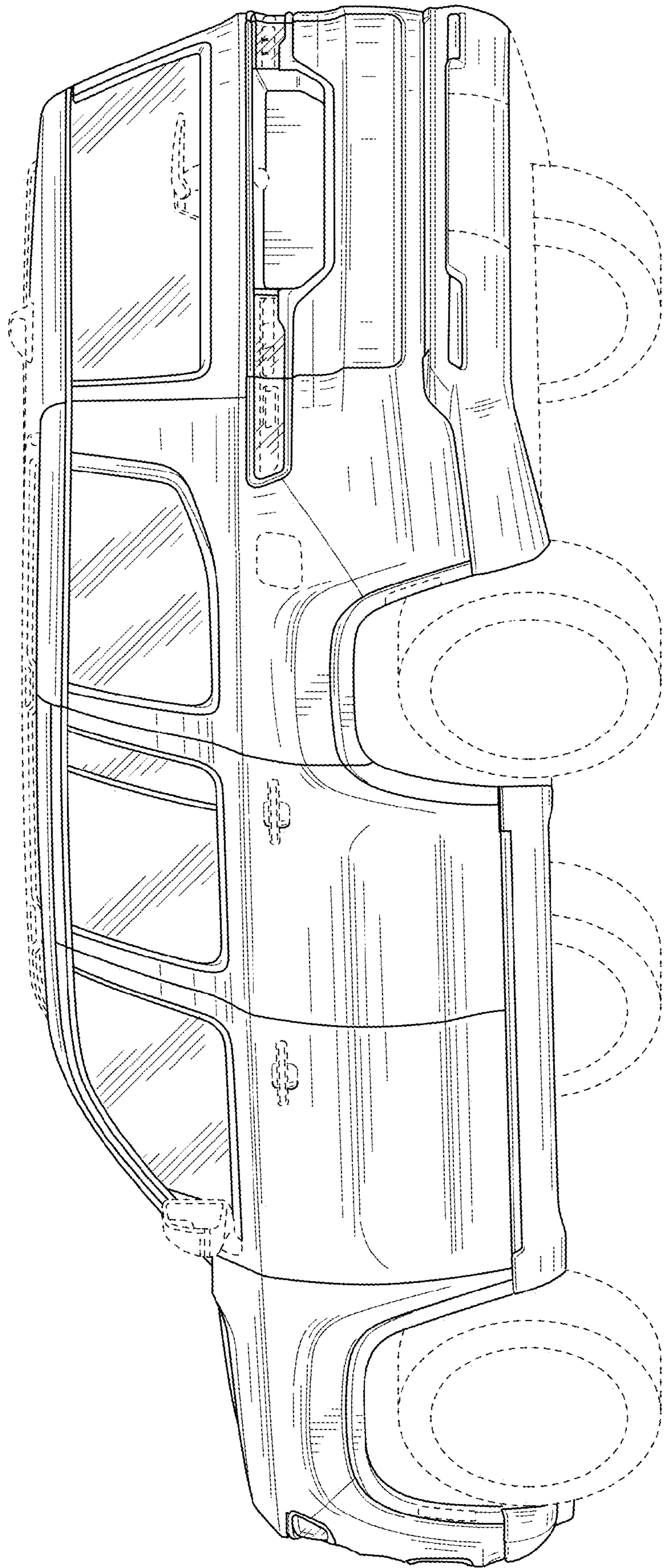


FIG. 2

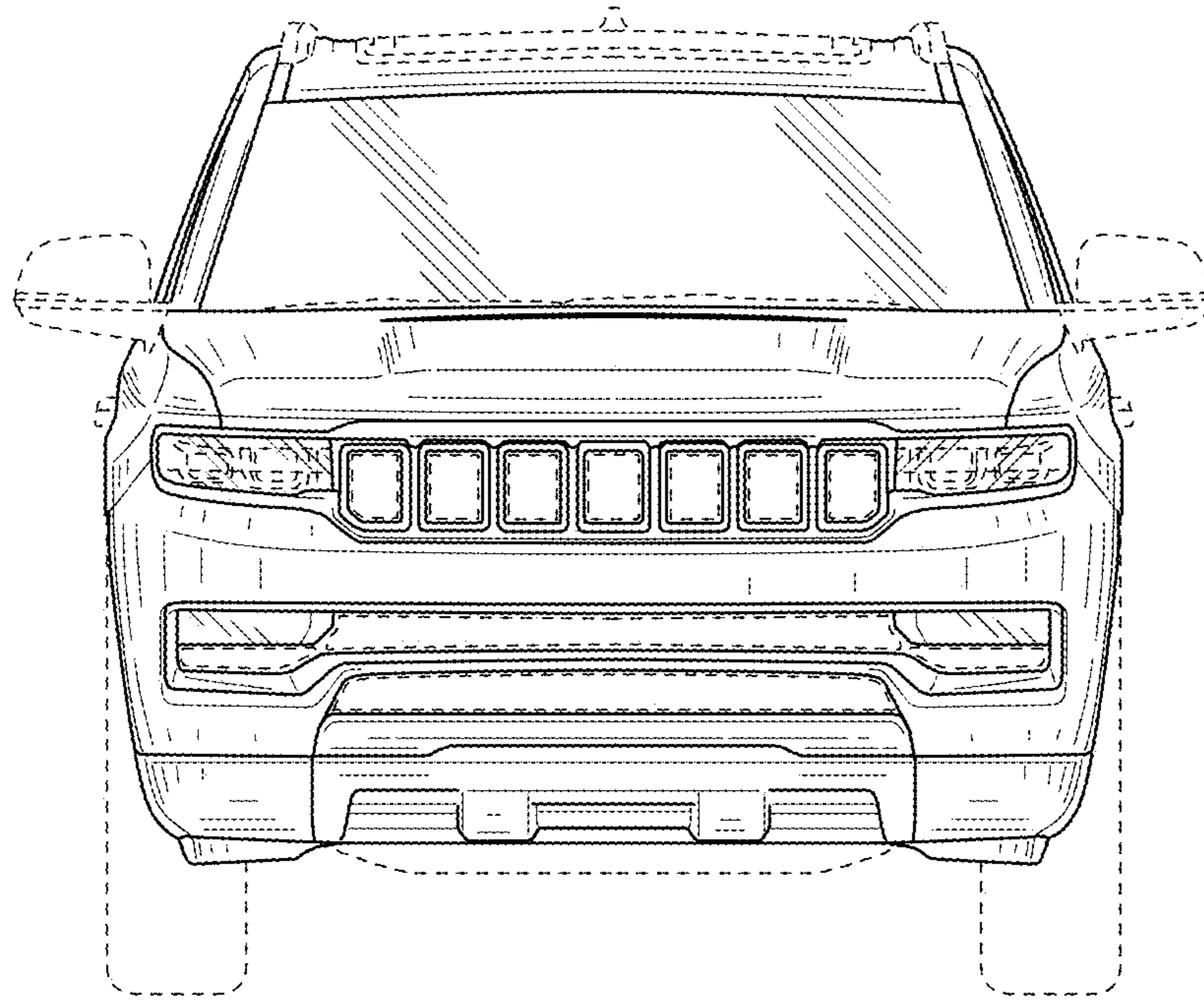


FIG. 3

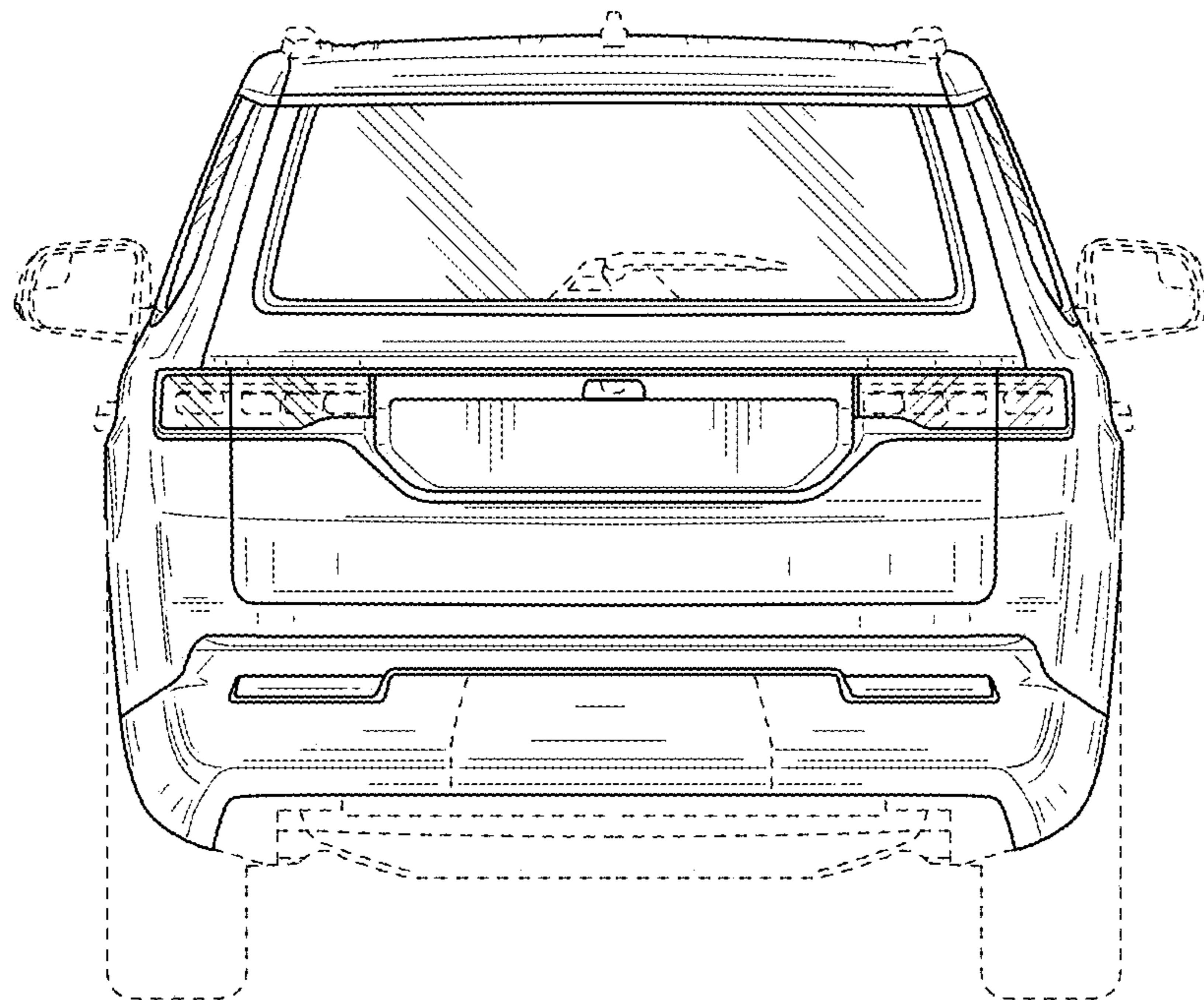


FIG. 4

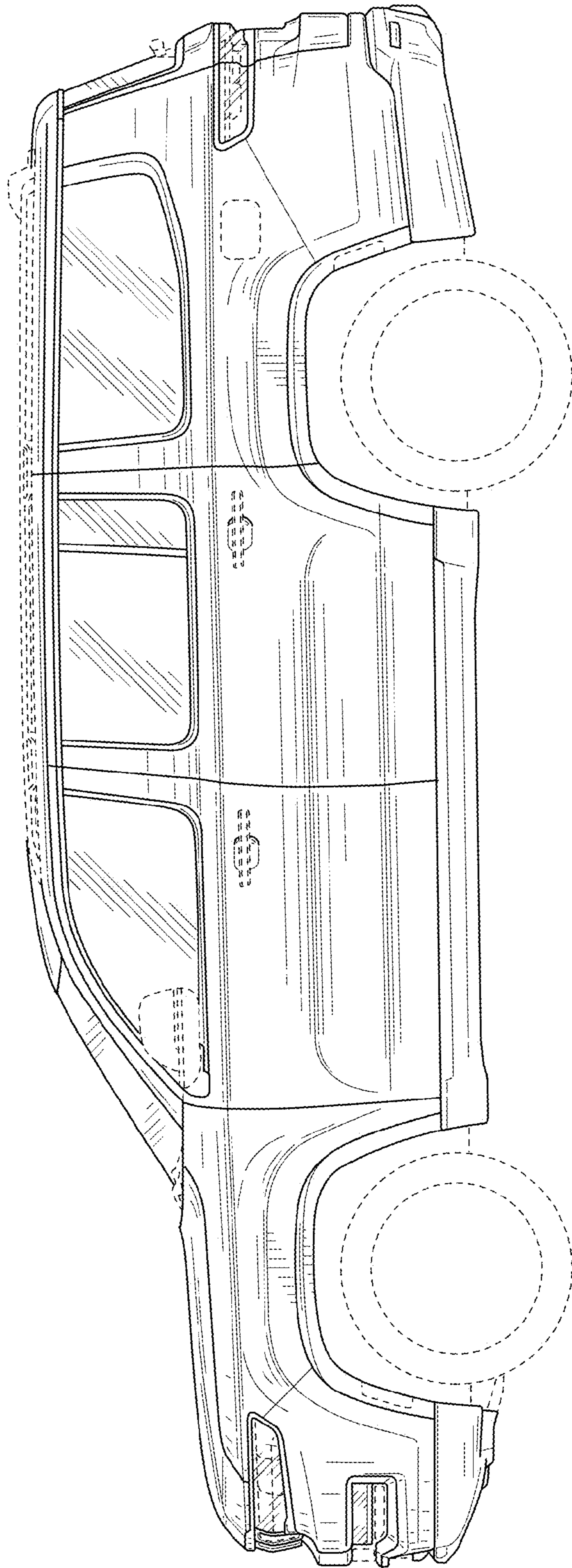


FIG. 5

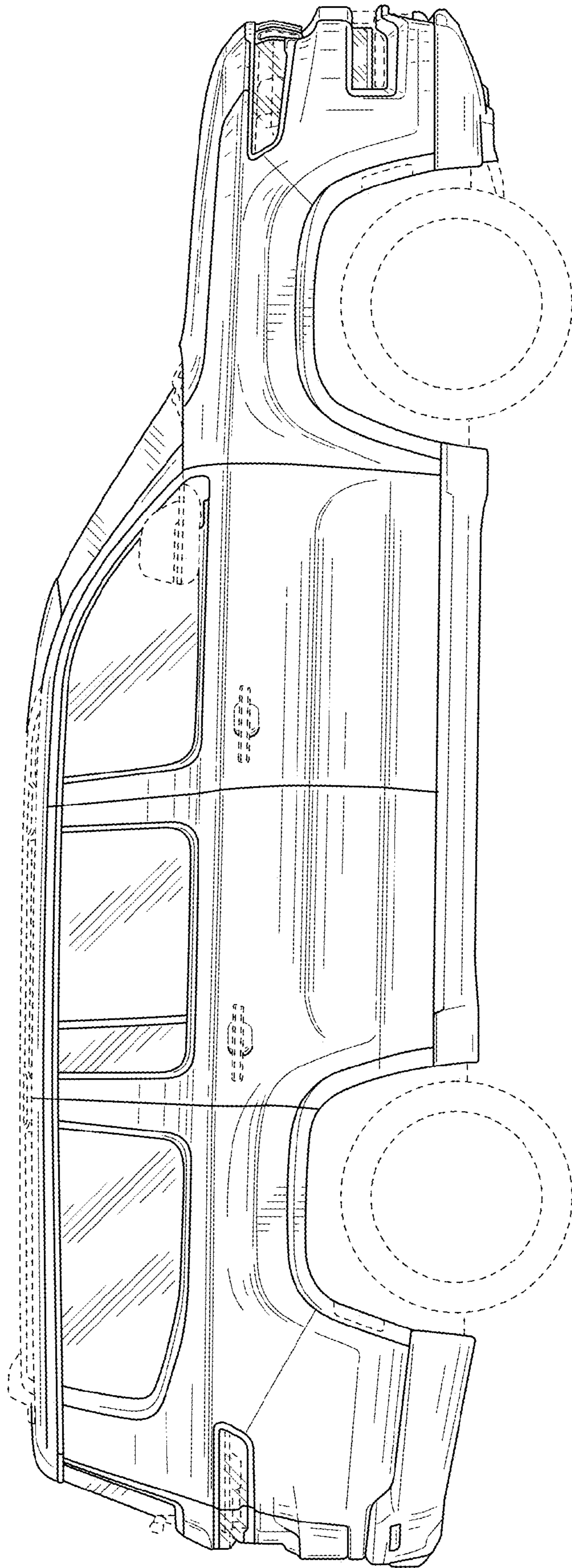


FIG. 6

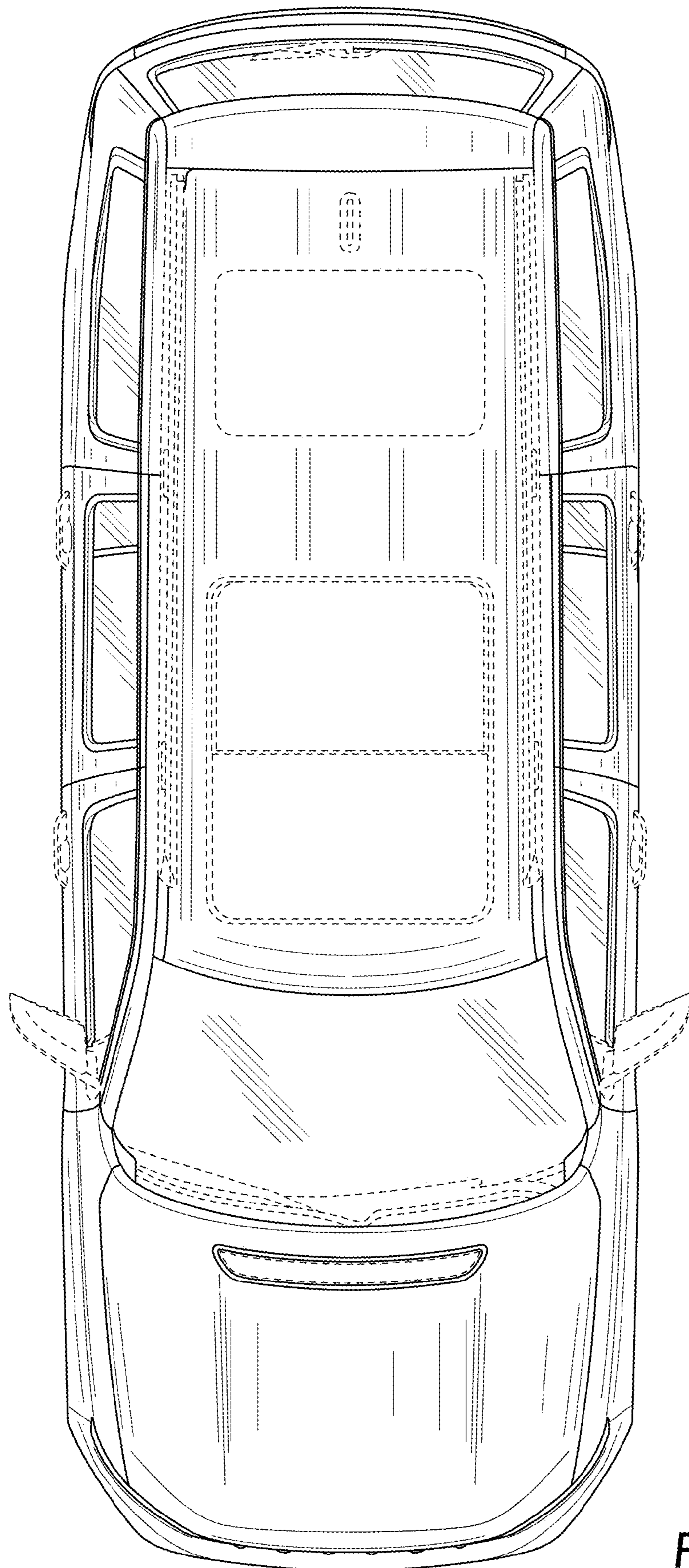


FIG. 7