



US00D935937S

(12) **United States Design Patent**
Tomatsu

(10) **Patent No.:** **US D935,937 S**

(45) **Date of Patent:** **** Nov. 16, 2021**

(54) **MOTOR VEHICLE AND/OR TOY REPLICA THEREOF**

(71) Applicant: **Nobuyuki Tomatsu**, Nagoya (JP)

(72) Inventor: **Nobuyuki Tomatsu**, Nagoya (JP)

(73) Assignee: **TOYOTA JIDOSHA KABUSHIKI KAISHA**

(**) Term: **15 Years**

(21) Appl. No.: **29/704,352**

(22) Filed: **Sep. 4, 2019**

(30) **Foreign Application Priority Data**

Mar. 11, 2019 (JP) 2019-005013

(51) **LOC (13) Cl.** **12-16**

(52) **U.S. Cl.**
USPC **D12/86**

(58) **Field of Classification Search**
USPC D12/1, 14, 82, 86, 93-100; D21/533,
D21/552-560

CPC B62D 25/00; B62D 25/06; B62D 33/00;
B62D 35/00; B60F 3/0061; B60F 3/0069;
B63H 21/175

See application file for complete search history.

(56) **References Cited**

U.S. PATENT DOCUMENTS

D474,715 S * 5/2003 Young D12/1
D478,840 S * 8/2003 Gregory, Jr. D12/1
D495,275 S * 8/2004 Castiglione D12/86
7,758,094 B2 * 7/2010 Bullis B62D 35/00
296/61
D626,033 S * 10/2010 Browne D12/86
D770,329 S * 11/2016 Ishida D12/86
10,011,152 B1 * 7/2018 Kremkau B60F 3/0015

10,086,664 B2 * 10/2018 Fraundorfer B60F 3/0023
10,207,553 B2 * 2/2019 Thompson B63H 21/38
D860,057 S * 9/2019 Garagashyan D12/97
D880,357 S * 4/2020 Samokhvalov D12/1
D885,255 S * 5/2020 Janin D12/86
10,731,305 B2 * 8/2020 Nguyen B60F 3/0061

OTHER PUBLICATIONS

Personnel Carrier. Design—© Questel) orbit.com. [Online PDF compilation of references] 8 pgs. Print Dates Range Dec. 26, 2011-Jan. 11, 2016 [Retrieved Jun. 24, 2021].*

Muspratt, Adam. "Why Adaptability is Key for Armoured Vehicle Design." Jul. 15, 2019. Defence IQ. <https://www.defenceiq.com/armoured-vehicles/articles/armored-vehicle-adaptability>.*

Cox, Matthew. "This New Israeli-Made Armored Personnel Carrier Looks Like a Space Buggie." Jun. 5, 2018. Business Insider. <https://www.businessinsider.com/this-new-israeli-made-armored-vehicle-looks-like-a-space-buggie-2018-6>.*

(Continued)

Primary Examiner — Manpreet S Matharu

Assistant Examiner — Suzanne E Tisdell

(74) *Attorney, Agent, or Firm* — Saidman DesignLaw Group, LLC

(57) **CLAIM**

The ornamental design for a motor vehicle and/or toy replica thereof, as shown and described.

DESCRIPTION

FIG. 1 is a front perspective view of a motor vehicle and/or toy replica thereof showing my new design;

FIG. 2 is a rear perspective view thereof;

FIG. 3 is a left side view thereof;

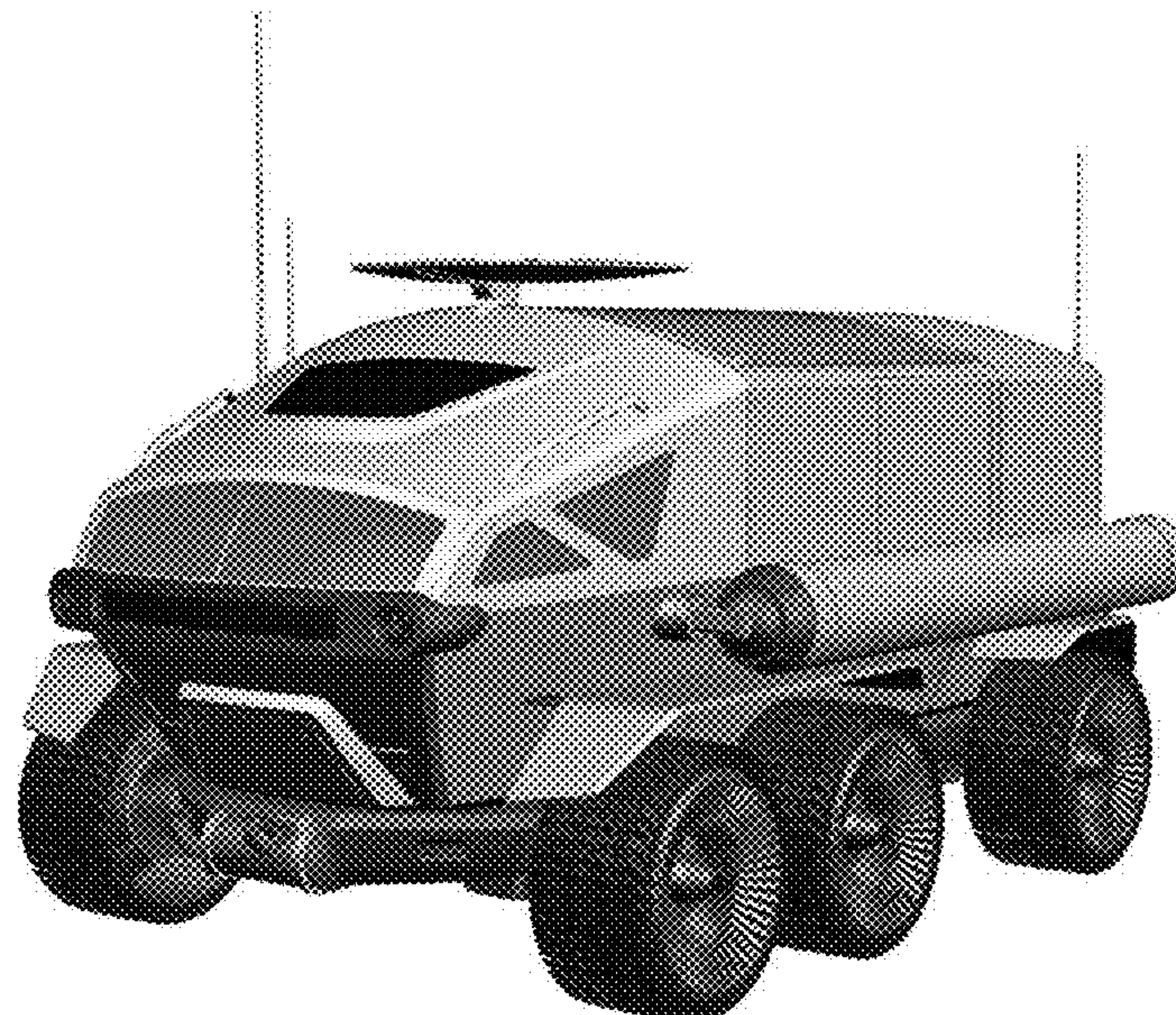
FIG. 4 is a right side view thereof;

FIG. 5 is a front view thereof;

FIG. 6 is a rear view thereof; and,

FIG. 7 is a top view thereof.

1 Claim, 7 Drawing Sheets



(56)

References Cited

OTHER PUBLICATIONS

“Vikas/ Boxer Driver Training Vehicles Delivered For Lithuanian Armed Forces.” Dec. 18, 2017. Twitter. https://twitter.com/lithuanian_mod/status/942767173138870272.*

Wikipedia, Komatsu, Type 96 Armored Personnel Carrier, <<https://ja.wikipedia.org/wiki/96%E5%BC%8F%E8%A3%85%E8%BC%AA%E8%A3%85%E7%94%B2%E8%BB%8A>>, available as early as Feb. 16, 2019.

Website of Nihon Kikai Kogyo Co., Ltd., Oshkosh Striker, <<https://www.nikki-net.co.jp/>>, available as early as Jul. 1, 2014.

* cited by examiner

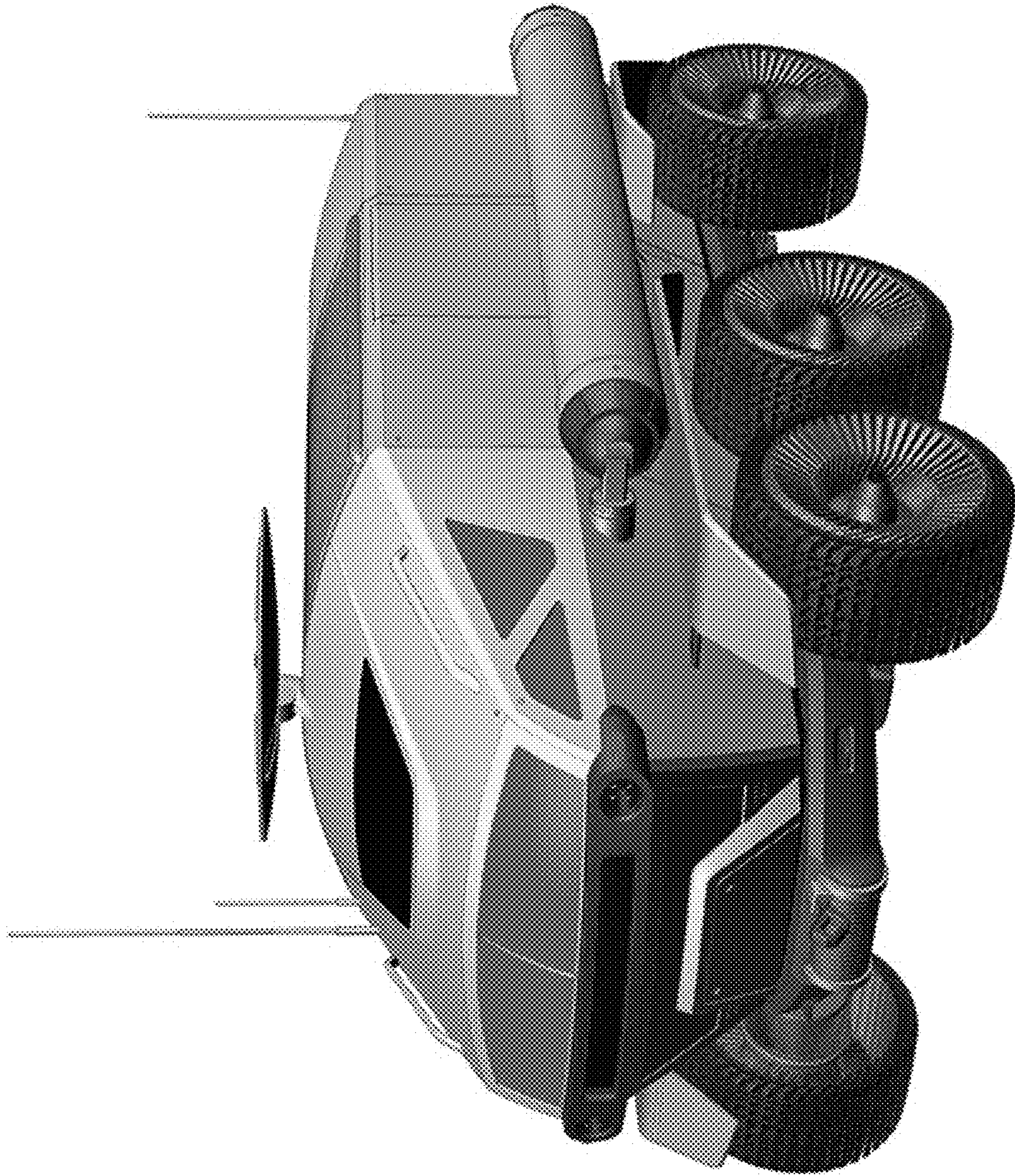


FIG. 1

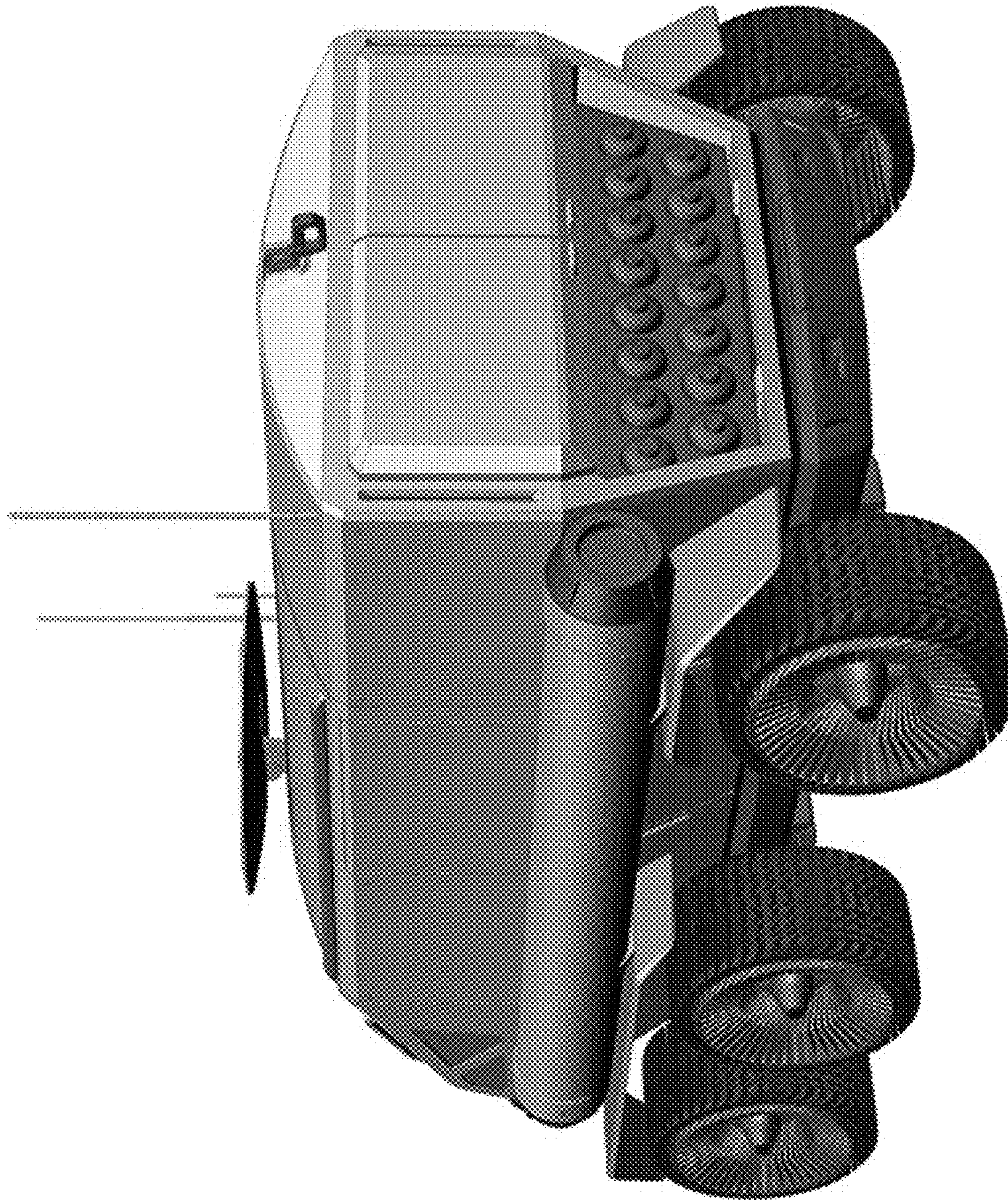


FIG. 2

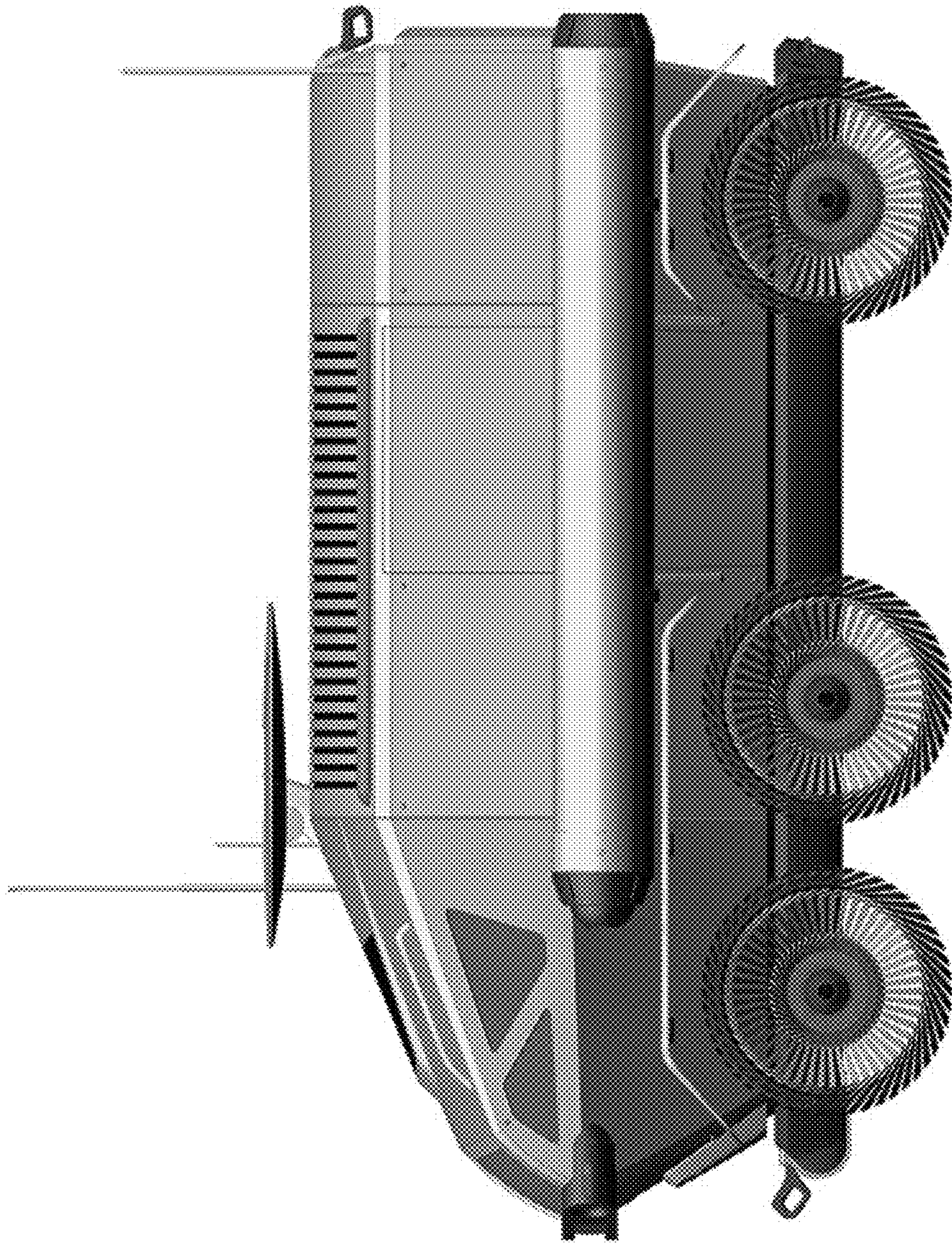


FIG. 3

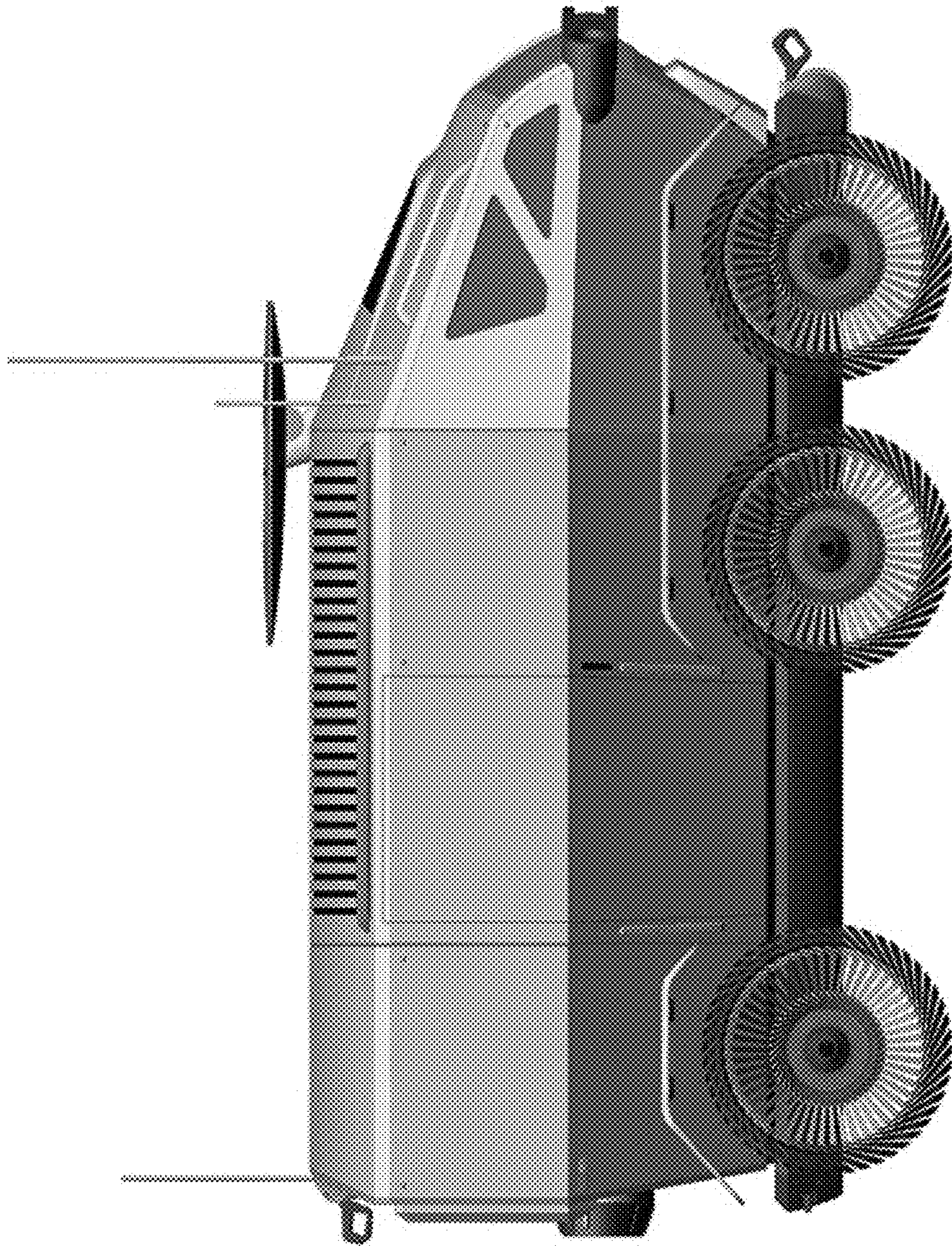


FIG. 4

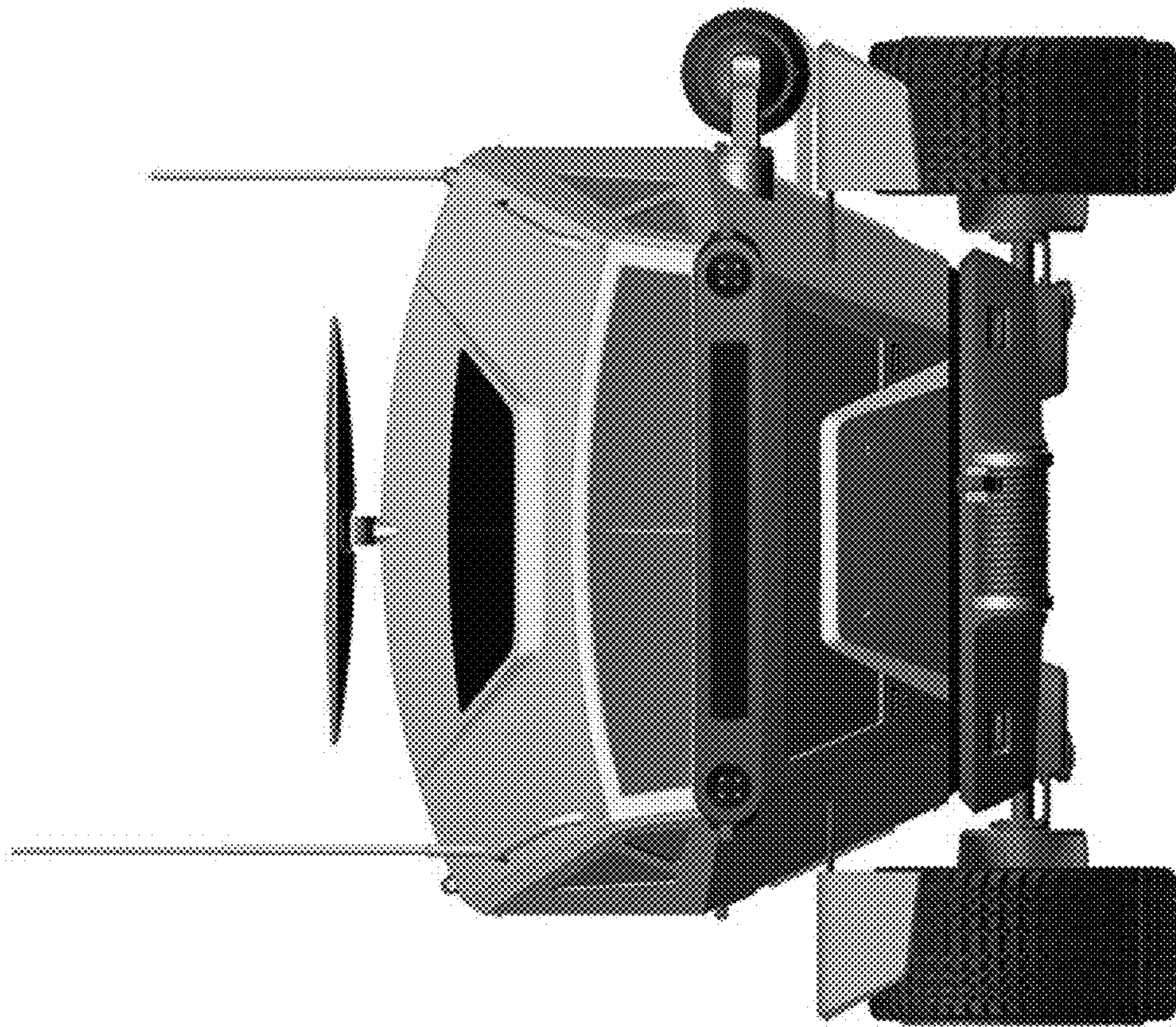


FIG. 5

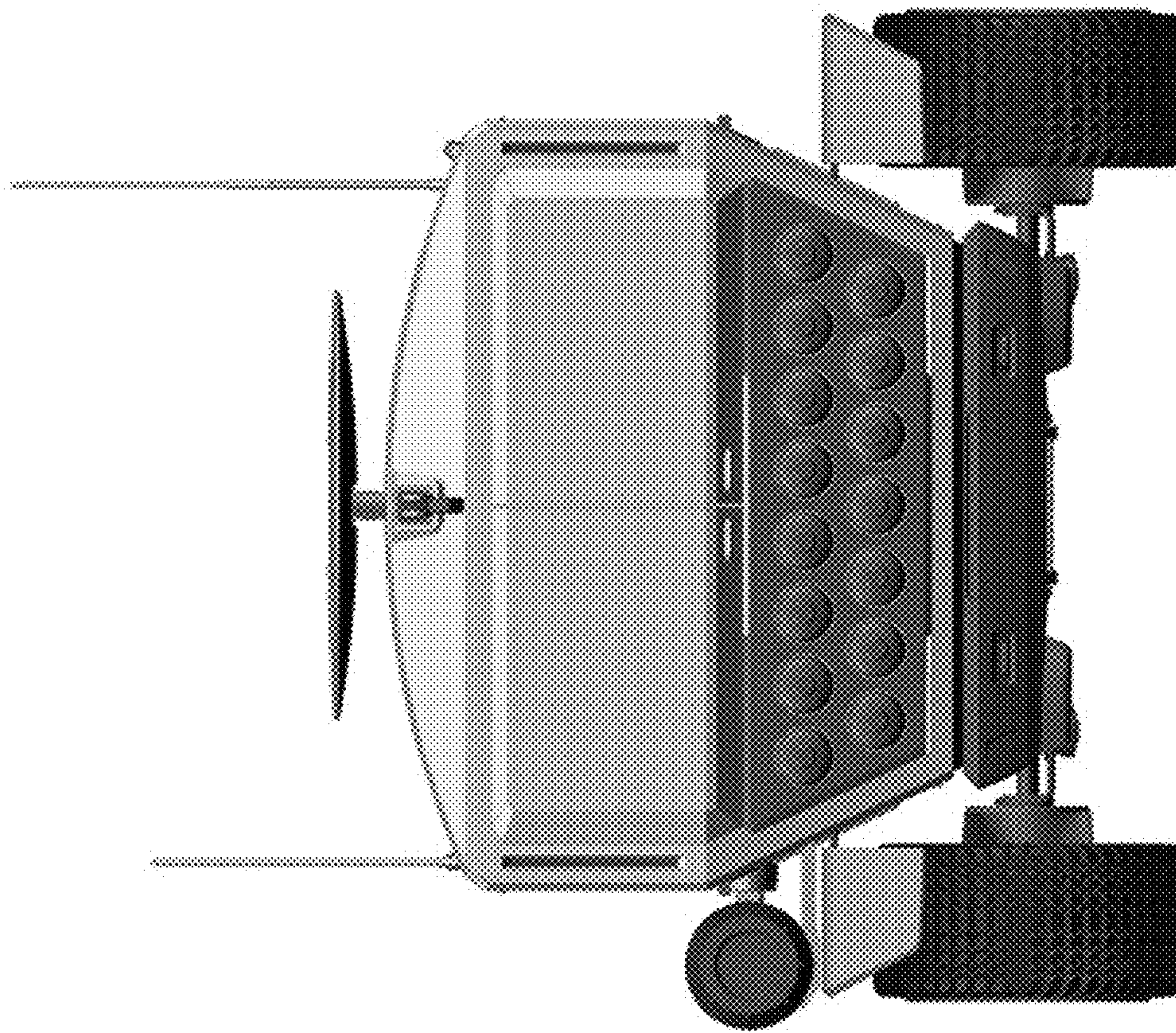


FIG. 6



FIG. 7