



US00D935926S

(12) **United States Design Patent**
Wang

(10) **Patent No.:** **US D935,926 S**

(45) **Date of Patent:** **** Nov. 16, 2021**

(54) **CALIBRATION SUPPORT FOR A VEHICLE**

(71) Applicant: **AUTEL INTELLIGENT TECHNOLOGY CORP., LTD.,**
Shenzhen (CN)

(72) Inventor: **Yongshuai Wang,** Shenzhen (CN)

(73) Assignee: **AUTEL INTELLIGENT TECHNOLOGY CORP., LTD.,**
Shenzhen (CN)

(**) Term: **15 Years**

(21) Appl. No.: **29/710,978**

(22) Filed: **Oct. 28, 2019**

(51) **LOC (13) Cl.** **10-04**

(52) **U.S. Cl.**
USPC **D10/103**

(58) **Field of Classification Search**
USPC D8/349, 354, 363, 376, 38; D10/46, 65,
D10/70, 103; D14/447-452, 371, 372,
D14/373, 374, 375-382, 126, 127, 128,
D14/129, 239
CPC F16M 11/242; F16M 11/2014; F16M
11/105; F16M 11/24; G01S 13/931; G01S
7/4026; G01B 11/27; G01B 11/2755
See application file for complete search history.

(56) **References Cited**

U.S. PATENT DOCUMENTS

- 8,534,615 B2 * 9/2013 Huang F16M 11/24
248/125.1
- 10,323,936 B2 * 6/2019 Leikert G01B 11/2755
- D853,403 S * 7/2019 Lyu D14/451
- D877,745 S * 3/2020 Knapp D14/452
- D883,122 S * 5/2020 Cai D10/103
- D883,123 S * 5/2020 Cai D10/103
- D894,197 S * 8/2020 Knapp D14/452

- D895,635 S * 9/2020 Sitoh D14/452
- 10,794,996 B2 * 10/2020 Qiu G01S 7/4026
- 10,821,607 B2 * 11/2020 Chen G01B 11/27
- D905,700 S * 12/2020 Lu D14/452

(Continued)

Primary Examiner — Susan E Krakower

Assistant Examiner — Jerry Shiuan-Hua Hsu

(57) **CLAIM**

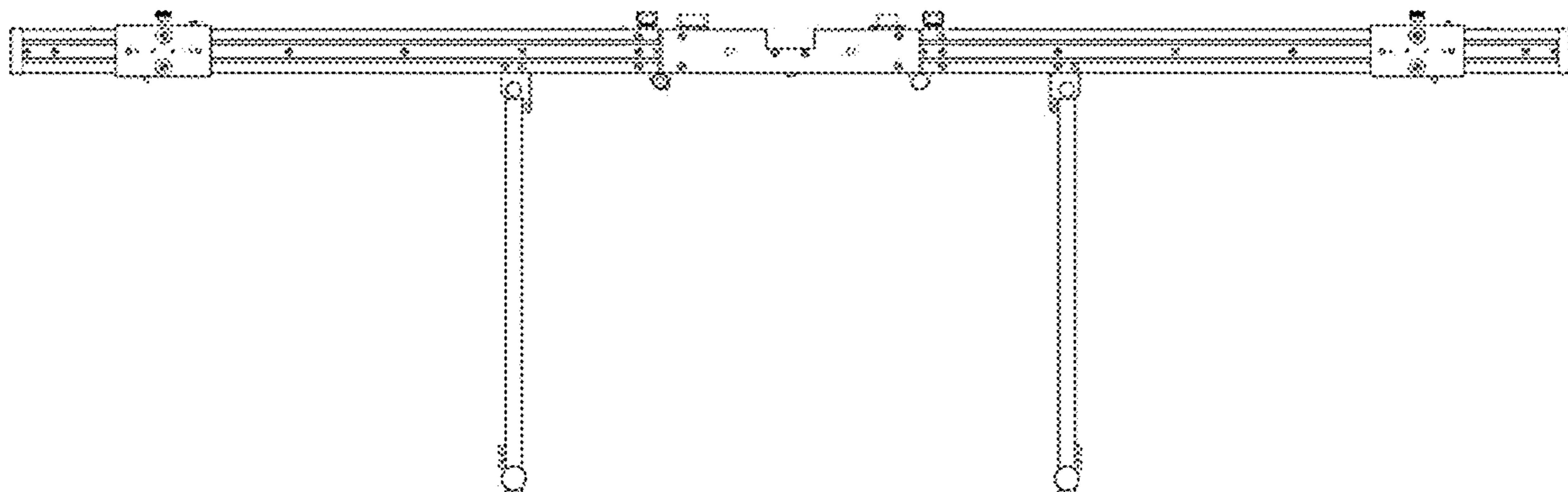
I claim the ornamental design for a calibration support for a vehicle, as shown and described.

DESCRIPTION

FIG. 1 is a front elevational view of a calibration support for a vehicle, showing our new design, in an open configuration; FIG. 2 is a back elevational view thereof; FIG. 3 is a left side elevational view thereof, shown enlarged for ease of illustration; FIG. 4 is a right side elevational view thereof; FIG. 5 is a top plan view thereof; FIG. 6 is a bottom plan view thereof; FIG. 7 is a front, top, left side perspective view thereof; FIG. 8 is a front elevational view thereof, in a closed configuration, shown enlarged for ease of illustration; FIG. 9 is a back elevational view thereof, shown enlarged for ease of illustration; FIG. 10 is a left side view thereof, shown enlarged for ease of illustration; FIG. 11 is a right side view thereof, shown enlarged for ease of illustration; FIG. 12 is a top plan view thereof, shown enlarged for ease of illustration; FIG. 13 is a bottom plan view thereof, shown enlarged for ease of illustration; and, FIG. 14 is a front, top, left side perspective view thereof, shown enlarged for ease of illustration.

The broken lines illustrate portions of the calibration support for a vehicle that form no part of the claimed design.

1 Claim, 10 Drawing Sheets



(56)

References Cited

U.S. PATENT DOCUMENTS

10,921,426	B2 *	2/2021	Tang	G01S 13/931
2007/0205340	A1 *	9/2007	Jung	F16M 11/105
					248/125.9
2017/0202351	A1 *	7/2017	Bowman	F16M 11/2014
2019/0187249	A1 *	6/2019	Harmer	F16M 11/242
2019/0249985	A1 *	8/2019	Stieff	G01S 7/4972

* cited by examiner

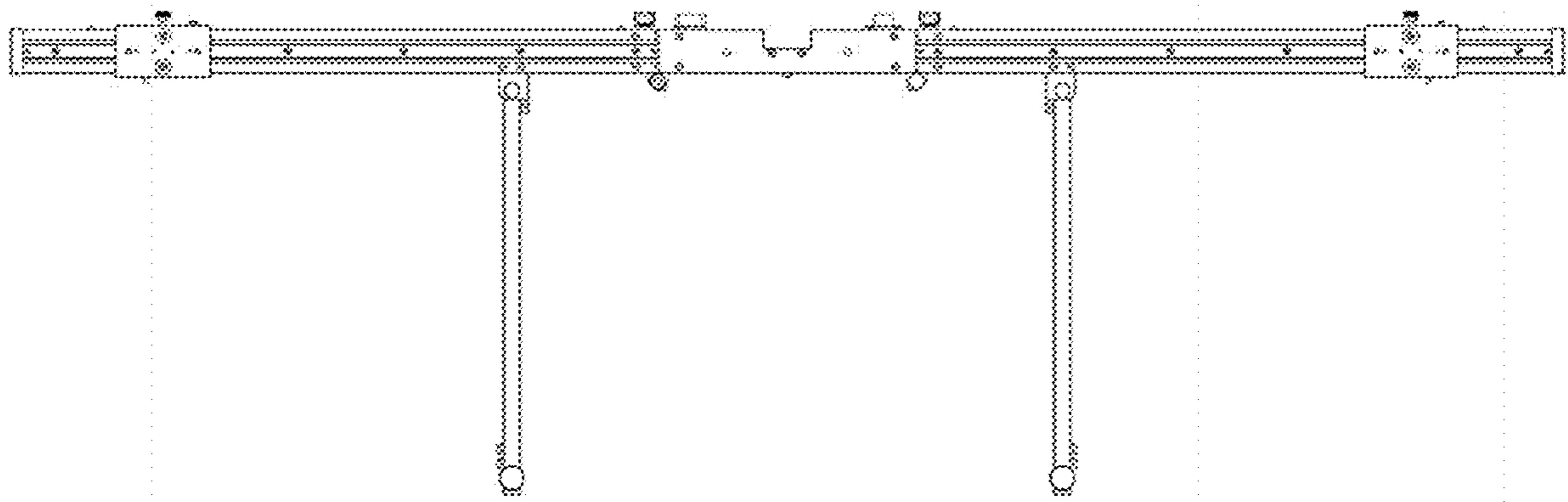


FIG.1

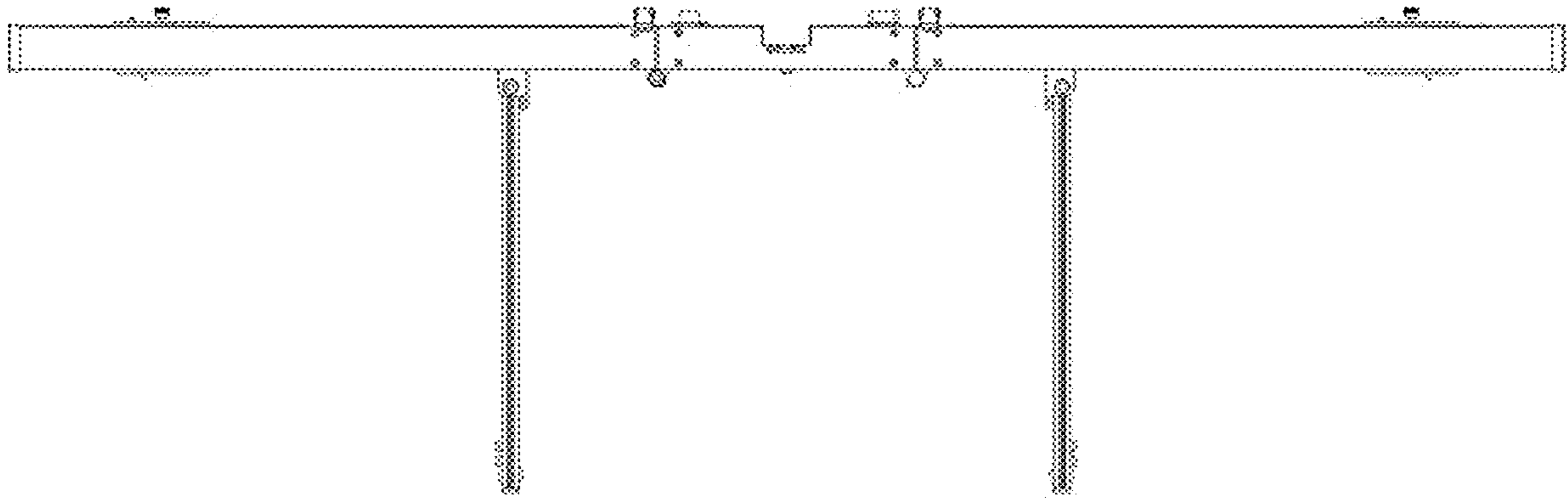


FIG.2

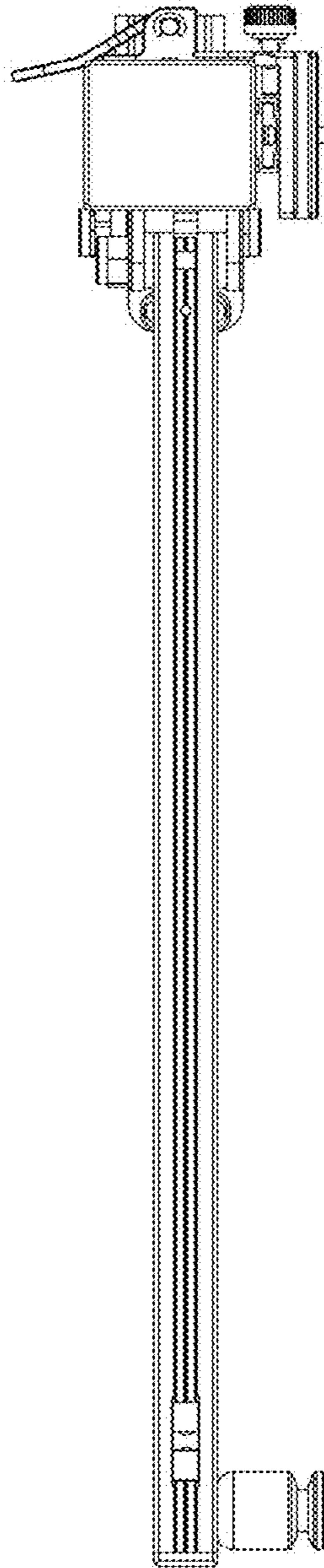


FIG.3

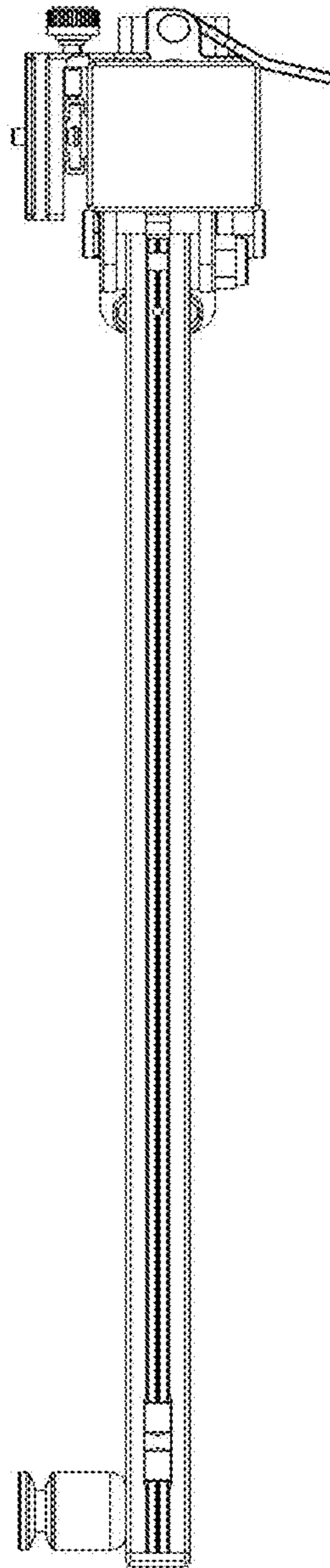


FIG.4



FIG. 5

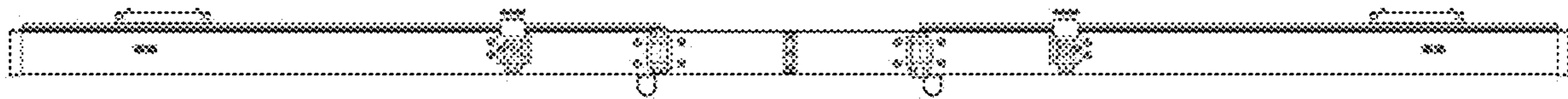


FIG. 6

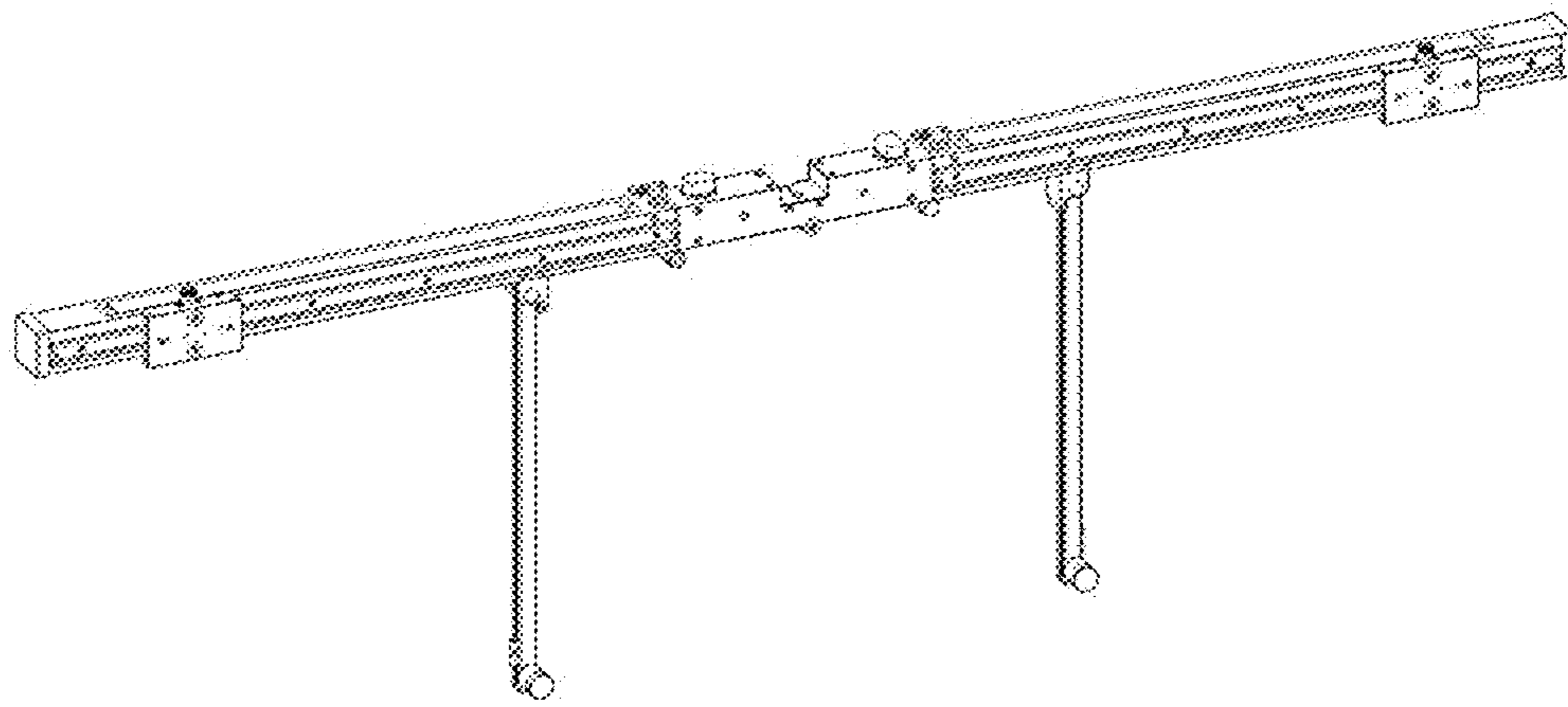


FIG. 7

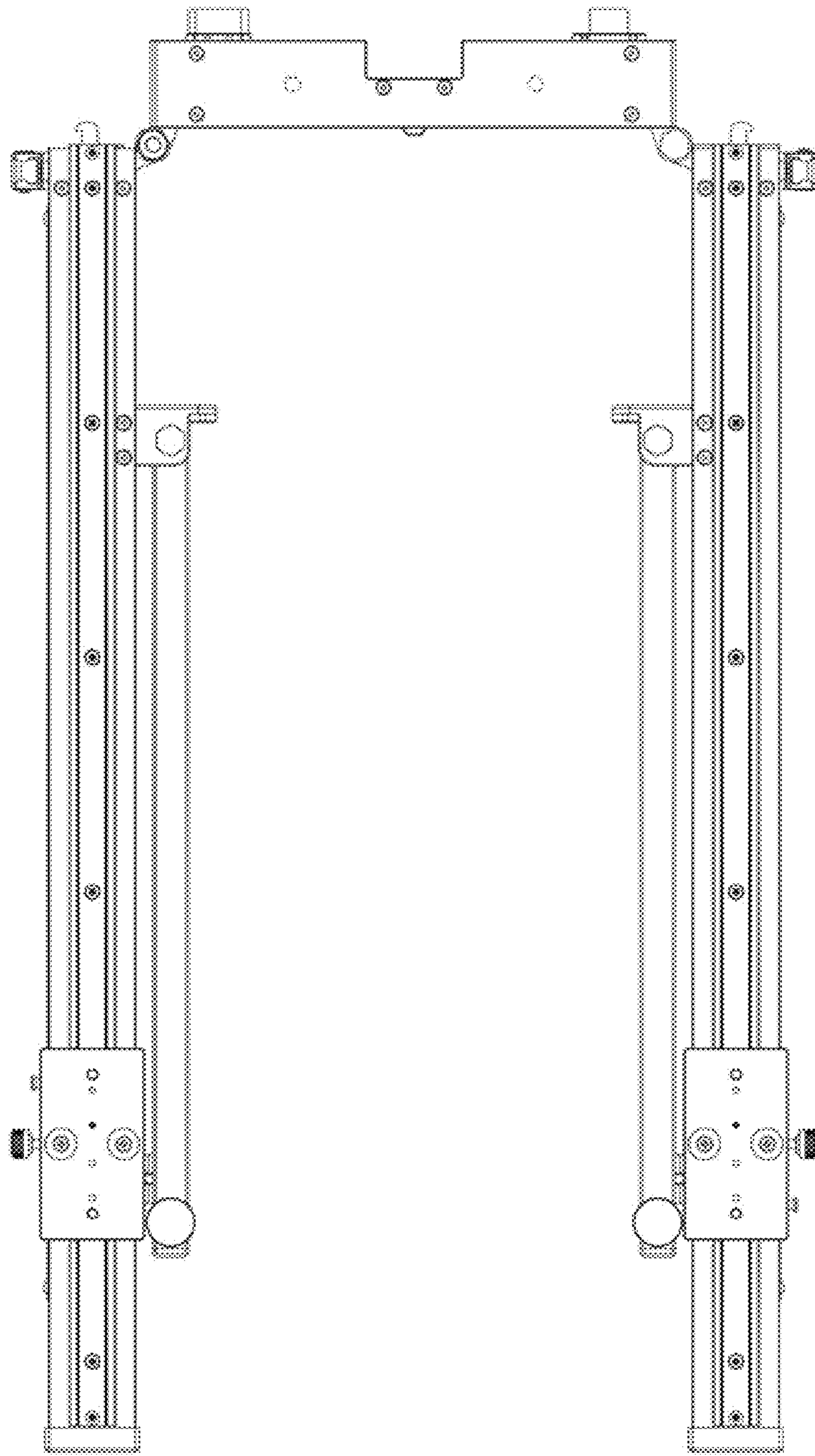


FIG.8

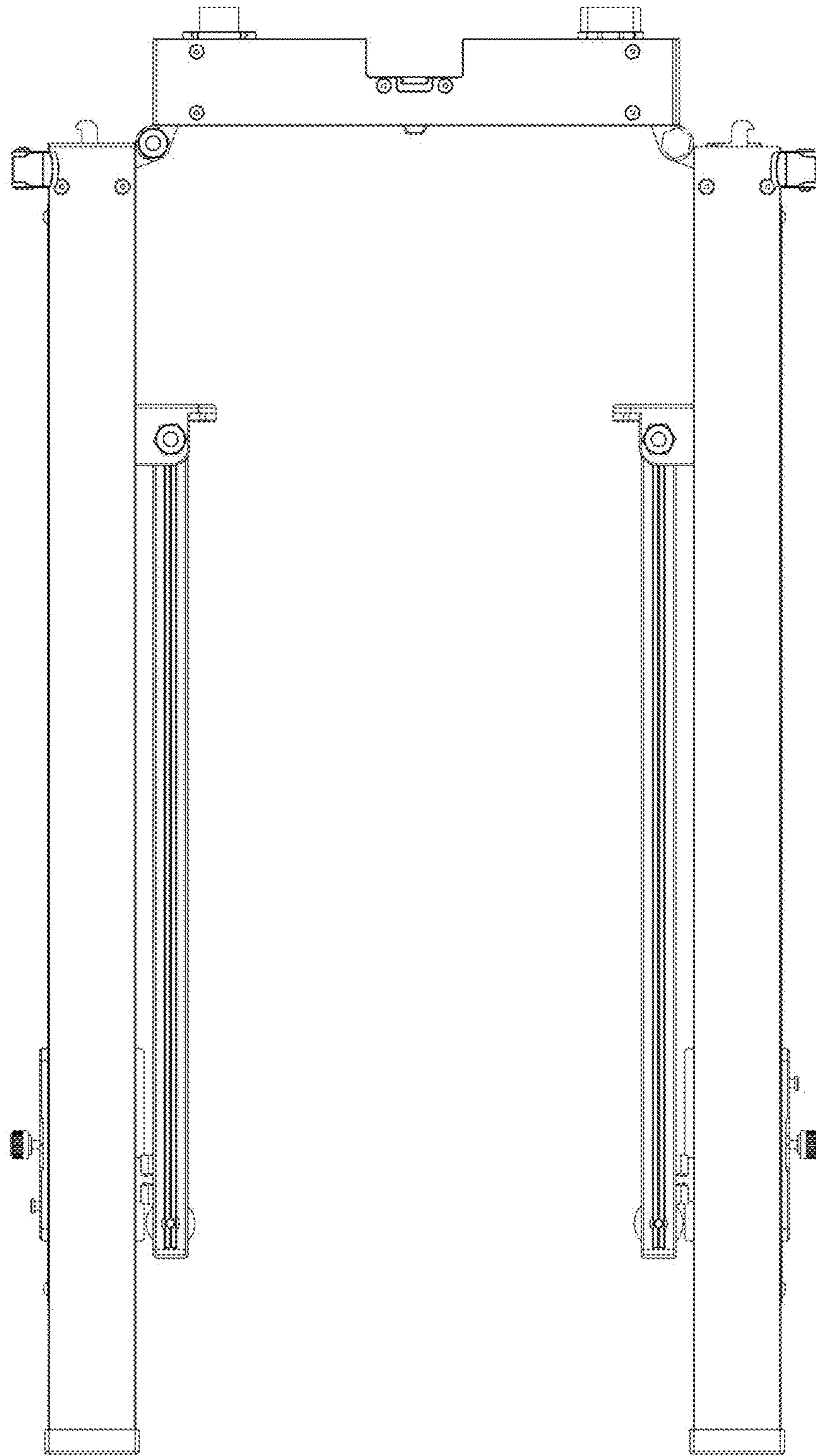


FIG.9

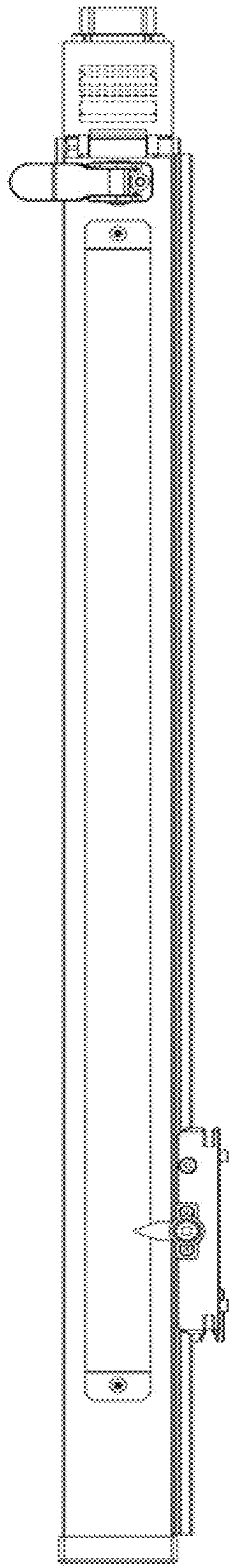


FIG.10

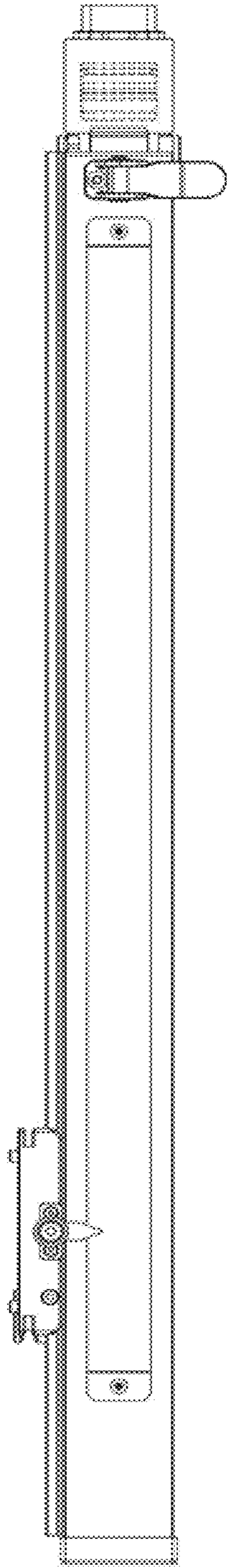


FIG.11

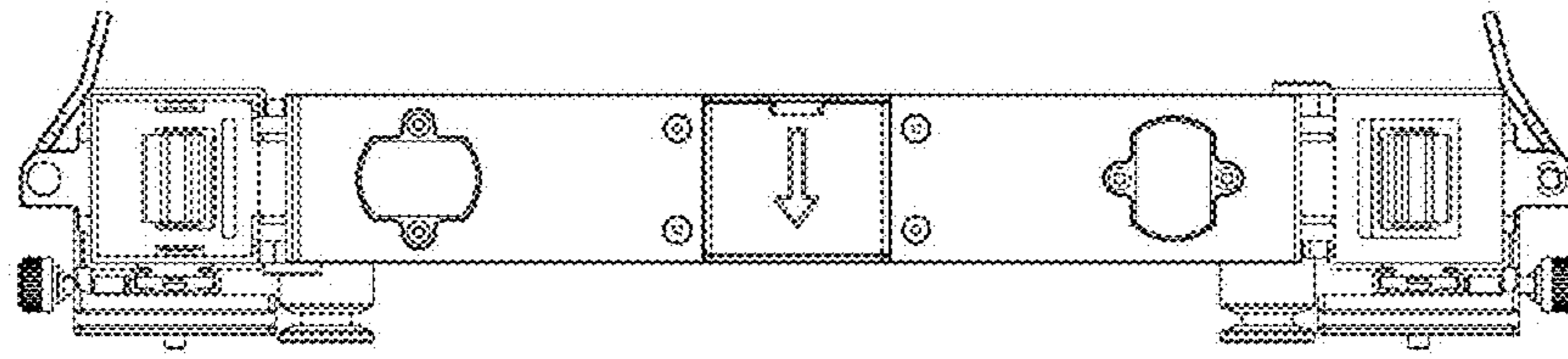


FIG. 12

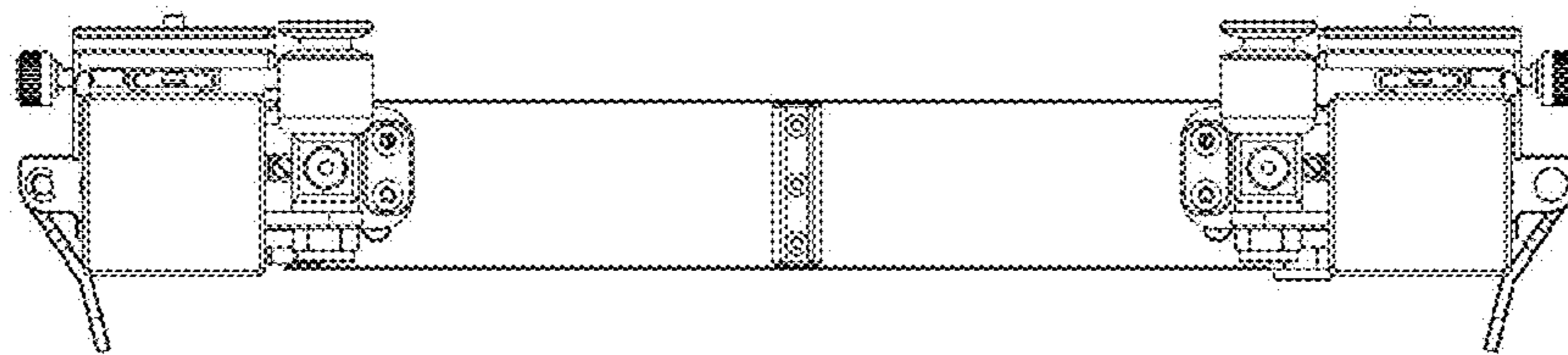


FIG. 13

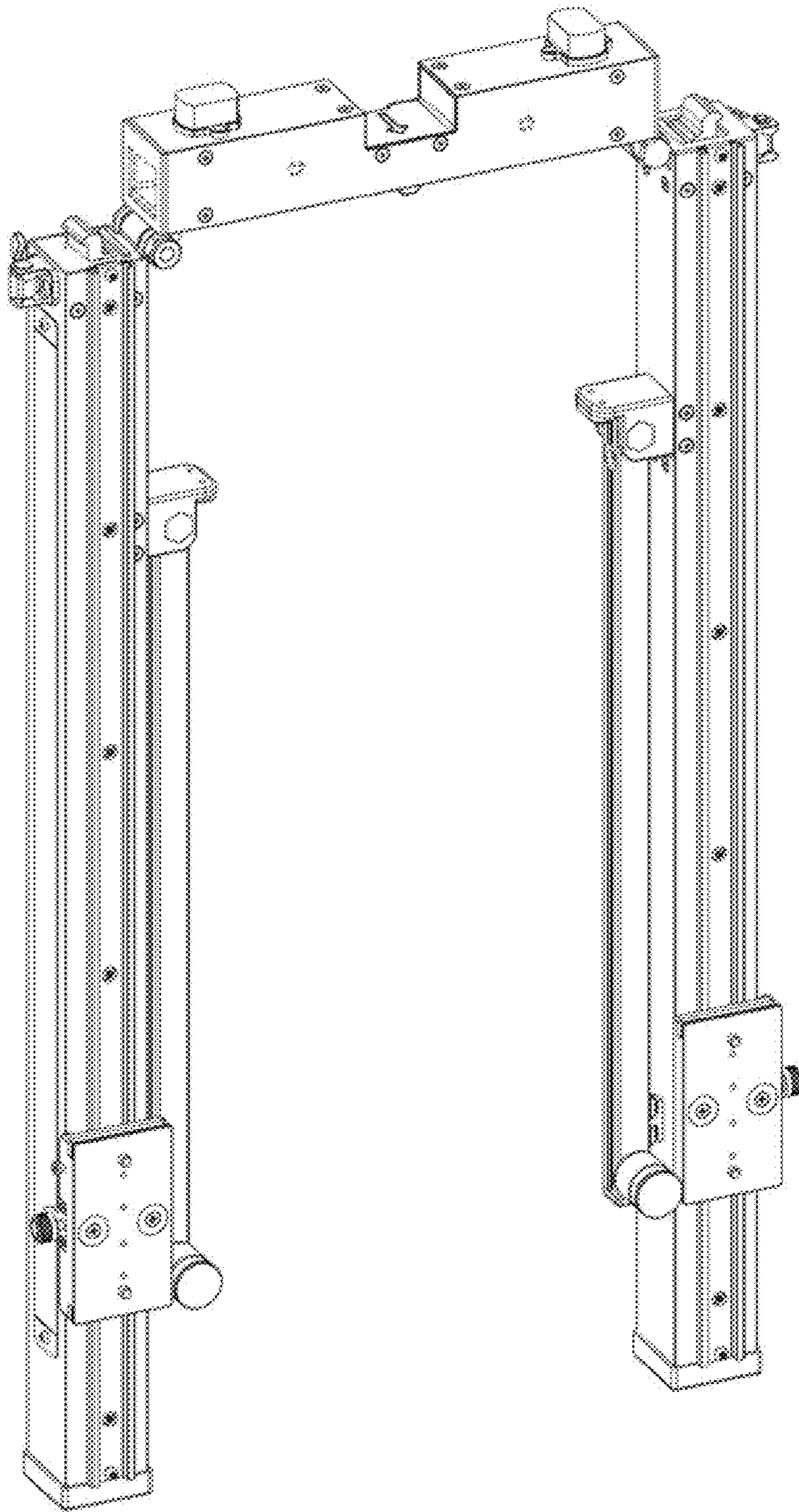


FIG.14