



US00D935925S

(12) **United States Design Patent**  
**Qiu**

(10) **Patent No.:** **US D935,925 S**

(45) **Date of Patent:** **\*\* Nov. 16, 2021**

(54) **SCALE**

(71) Applicant: **Yilian Qiu**, Yangchun (CN)

(72) Inventor: **Yilian Qiu**, Yangchun (CN)

(\*\*) Term: **15 Years**

(21) Appl. No.: **29/732,396**

(22) Filed: **Apr. 23, 2020**

(30) **Foreign Application Priority Data**

Nov. 14, 2019 (CN) ..... 201930626018.6

(51) **LOC (13) Cl.** ..... **10-04**

(52) **U.S. Cl.**  
USPC ..... **D10/91**

(58) **Field of Classification Search**  
USPC ..... D10/83-96  
CPC ..... G01G 21/28; G01G 21/00; G01G 21/286;  
G01G 21/30; G01G 23/3728; G01G  
23/3735; G01G 19/44; G01G 3/14; G01G  
23/166; G01G 19/46; G01G 19/48; G01G  
19/50; G01G 21/44; G01G 19/414; G01G  
19/4144; G01G 19/42; A61B 5/053;  
A61B 5/4872; A61B 5/0537; A61B  
5/4869; A61B 5/6825; A61B 5/6829;  
A61B 5/7445; A61B 5/1072; F16F 1/123;  
G06Q 20/3678; G06Q 20/387; G06Q  
20/065; G06Q 20/36; G06Q 20/06; G06Q  
20/208; G09B 19/00; G16H 20/00; G16H  
40/63

See application file for complete search history.

(56) **References Cited**

**U.S. PATENT DOCUMENTS**

D521,889 S \* 5/2006 Kesselman ..... D10/91  
D521,890 S \* 5/2006 Motomizu ..... D10/91  
D682,129 S \* 5/2013 Kesselman ..... D10/91  
D778,748 S \* 2/2017 Nugent ..... D10/94  
D791,628 S \* 7/2017 Ganrude ..... D10/91

D837,672 S \* 1/2019 Hong ..... D10/91  
D842,731 S \* 3/2019 Hong ..... D10/91  
D850,958 S \* 6/2019 Pan ..... D10/91  
D851,522 S \* 6/2019 Hong ..... D10/94

(Continued)

**FOREIGN PATENT DOCUMENTS**

CN 304054150 \* 5/2016  
CN 305130289 \* 11/2018

(Continued)

**OTHER PUBLICATIONS**

Weightman Store, Digital Pocket Scale, Date first available Aug. 25, 2020, [online]retrieved Apr. 19, 2021,available from [https://www.amazon.com/Weightman-Calibration-Conversion-Auto-off-Function/dp/B08GLTXZS/ref=sr\\_1\\_53?dchild=1&keywords=digital+pocket+gram+scale&qid=1618849957&sr=8-53](https://www.amazon.com/Weightman-Calibration-Conversion-Auto-off-Function/dp/B08GLTXZS/ref=sr_1_53?dchild=1&keywords=digital+pocket+gram+scale&qid=1618849957&sr=8-53) (Year: 2020).\*

(Continued)

*Primary Examiner* — Keli L Hill  
*Assistant Examiner* — Sara S Sahneh

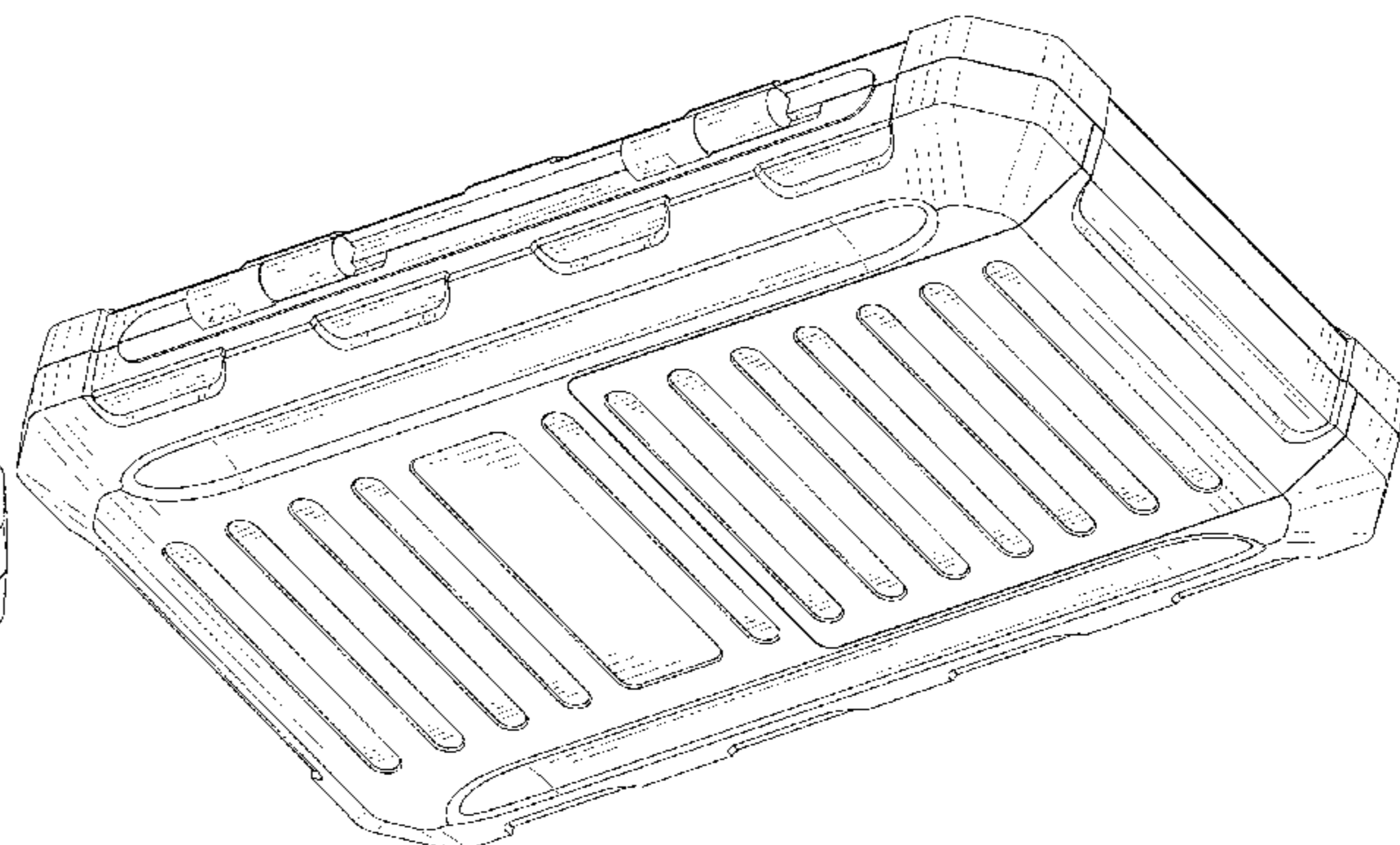
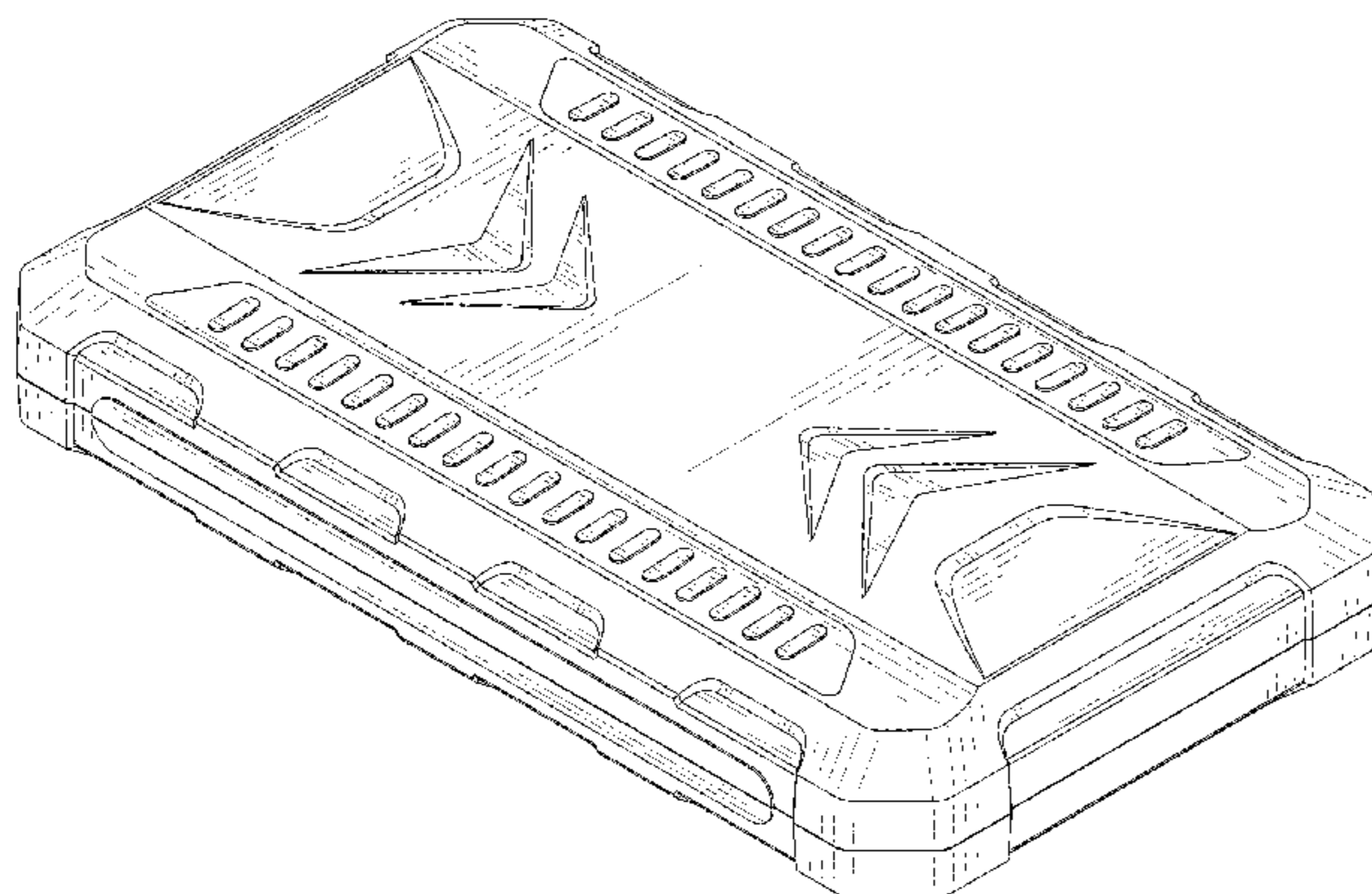
(57) **CLAIM**

The ornamental design for a scale, as shown and described.

**DESCRIPTION**

FIG. 1 is a perspective view of a scale showing my new design;  
FIG. 2 is another perspective view thereof;  
FIG. 3 is a front elevational view thereof;  
FIG. 4 is a rear elevational view thereof;  
FIG. 5 is a left side elevational view thereof;  
FIG. 6 is a right side elevational view thereof;  
FIG. 7 is a top plan view thereof;  
FIG. 8 is a bottom plan view thereof; and,  
FIG. 9 is a perspective view of the scale where the scale is in a configuration of use.  
The broken lines in the drawings depict portions of the scale that form no part of the claimed design.

**1 Claim, 9 Drawing Sheets**



(56)

**References Cited**

U.S. PATENT DOCUMENTS

D869,314 S \* 12/2019 Ma ..... D10/91  
D894,768 S \* 9/2020 Ma ..... D10/91  
D897,875 S \* 10/2020 Ma ..... D10/91  
2017/0108371 A1 \* 4/2017 Pan ..... G01G 21/28

FOREIGN PATENT DOCUMENTS

CN 305140421 \* 11/2018  
CN 305630465 \* 9/2019  
CN 305765293 \* 11/2019  
KR 301047573.0000 \* 9/2019

OTHER PUBLICATIONS

Amir ,Digital Milligram Scale, Date first available Jun. 19, 2020,  
[online]retrieved Apr. 19, 21,available from [https://www.amazon.com/Professional-Milligram-Precision-Electronic-Calibration/dp/B08BHMWP1V/ref=sr\\_1\\_30\\_sspa?dchild=1&gclid=EA1-alQobChMlq96R6NyK8AIVaeazCh2RXABxEAAAYAiAAEglFaPD\\_BwE&hvadid=43900](https://www.amazon.com/Professional-Milligram-Precision-Electronic-Calibration/dp/B08BHMWP1V/ref=sr_1_30_sspa?dchild=1&gclid=EA1-alQobChMlq96R6NyK8AIVaeazCh2RXABxEAAAYAiAAEglFaPD_BwE&hvadid=43900) (Year: 2020).\*

Fuzion, Digital Pocket Scale, Date first available Feb. 18, 2019,  
[online]retrieved Apr. 19, 2021,available from [https://www.amazon.com/dp/B07L8ZVVRM/ref=sspa\\_dk\\_detail\\_1?pd\\_rd\\_i=B07L8ZVVRMp13NParams&spLa=ZW5jcnlwdGVkUXVhbGlmaWVyPUExUjdEVFdBQUExNUY0JmVuY3J5cHRIZElkPUEwNzY1NDM1M08xSk01SkRHMkcmZW5jcnlwd](https://www.amazon.com/dp/B07L8ZVVRM/ref=sspa_dk_detail_1?pd_rd_i=B07L8ZVVRMp13NParams&spLa=ZW5jcnlwdGVkUXVhbGlmaWVyPUExUjdEVFdBQUExNUY0JmVuY3J5cHRIZElkPUEwNzY1NDM1M08xSk01SkRHMkcmZW5jcnlwd) (Year: 2019).\*

\* cited by examiner

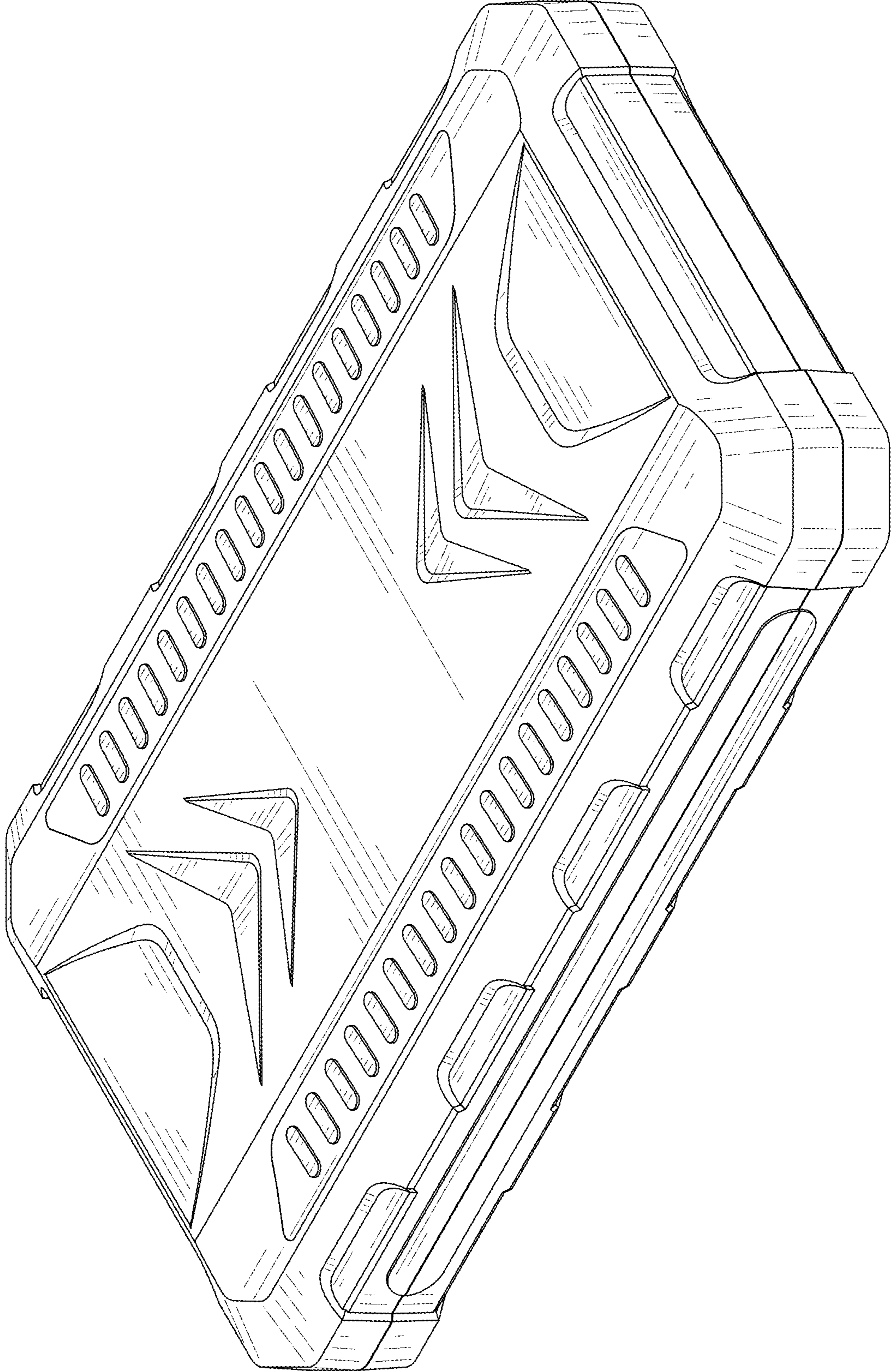


FIG. 1

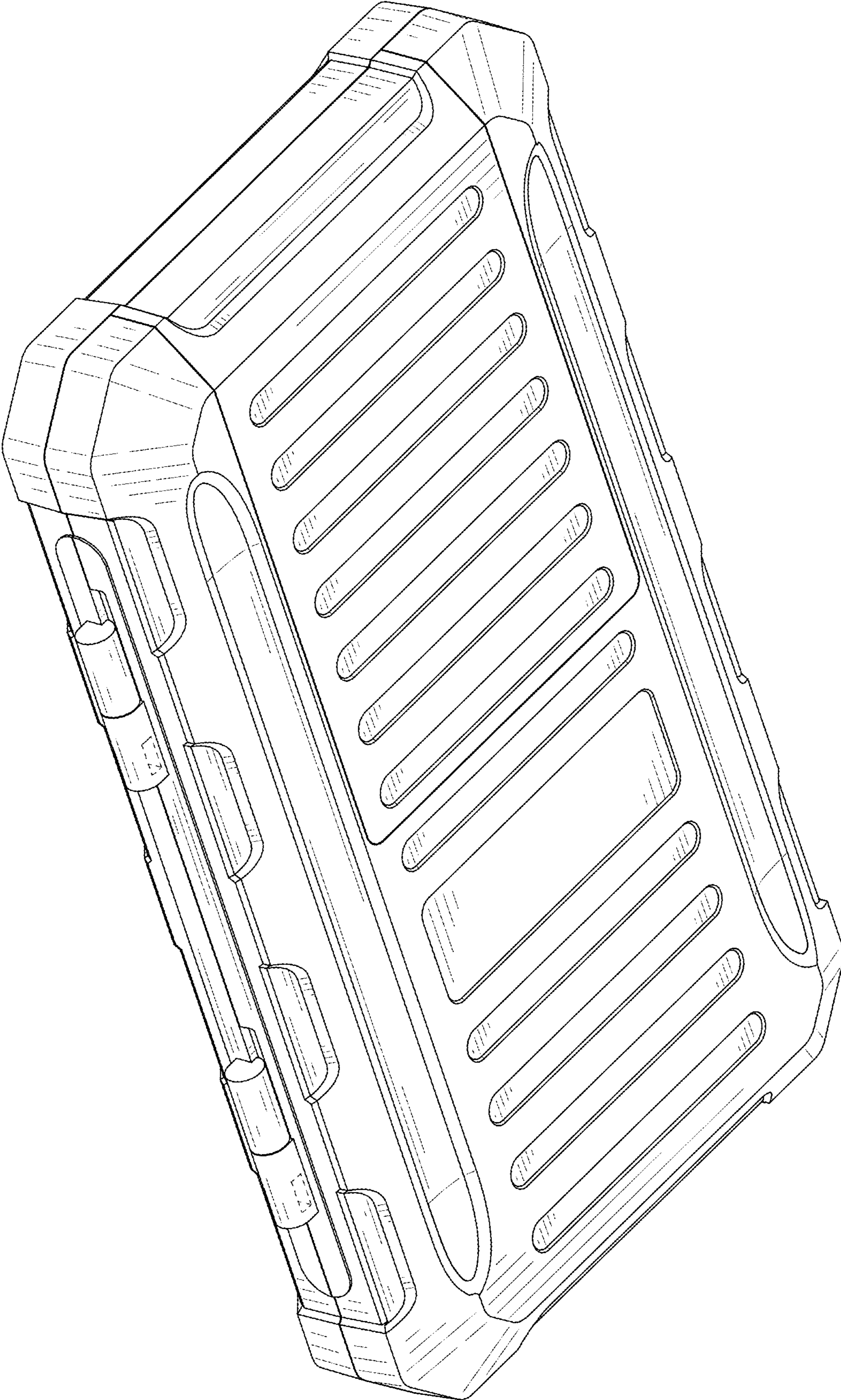


FIG. 2

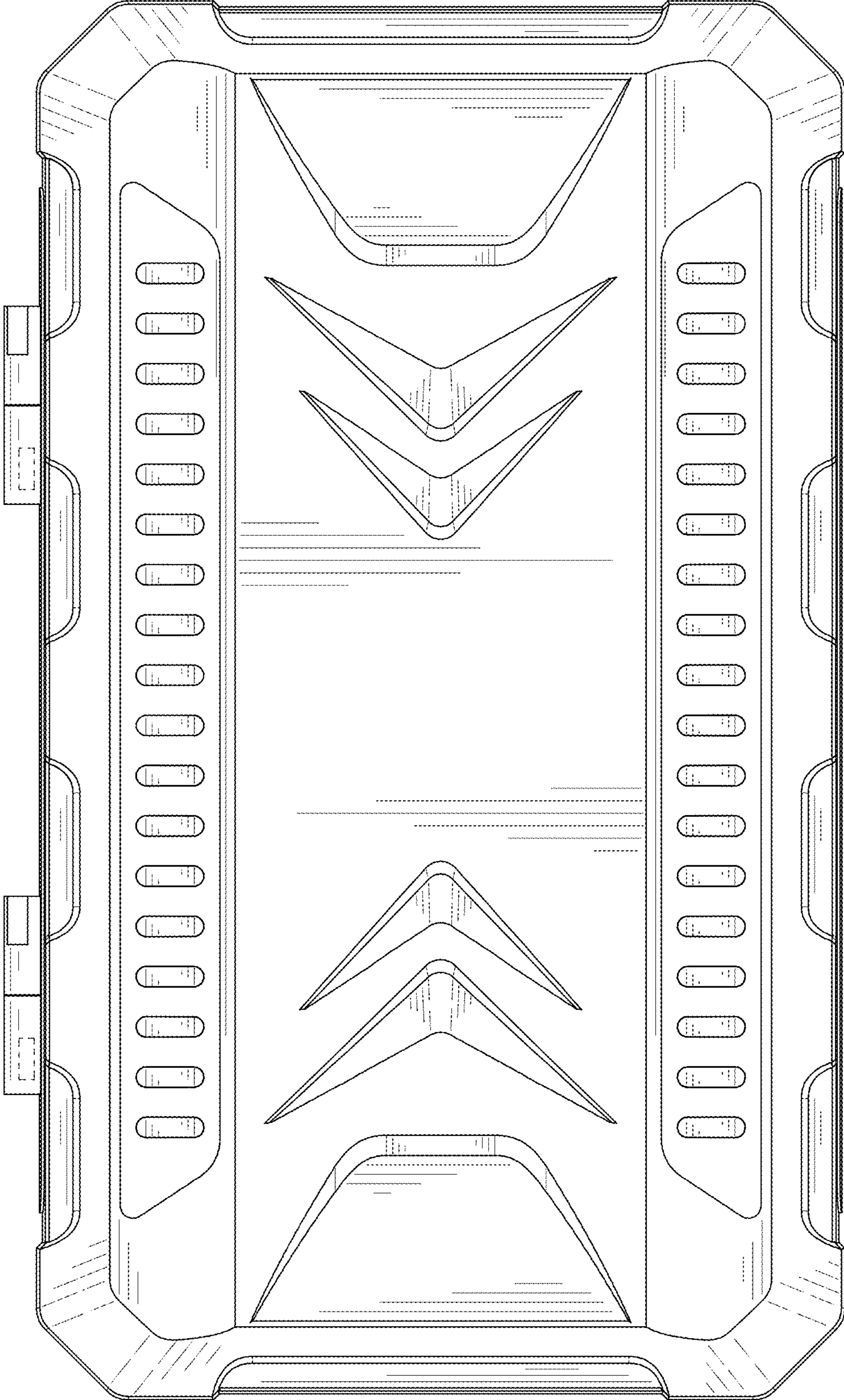


FIG. 3

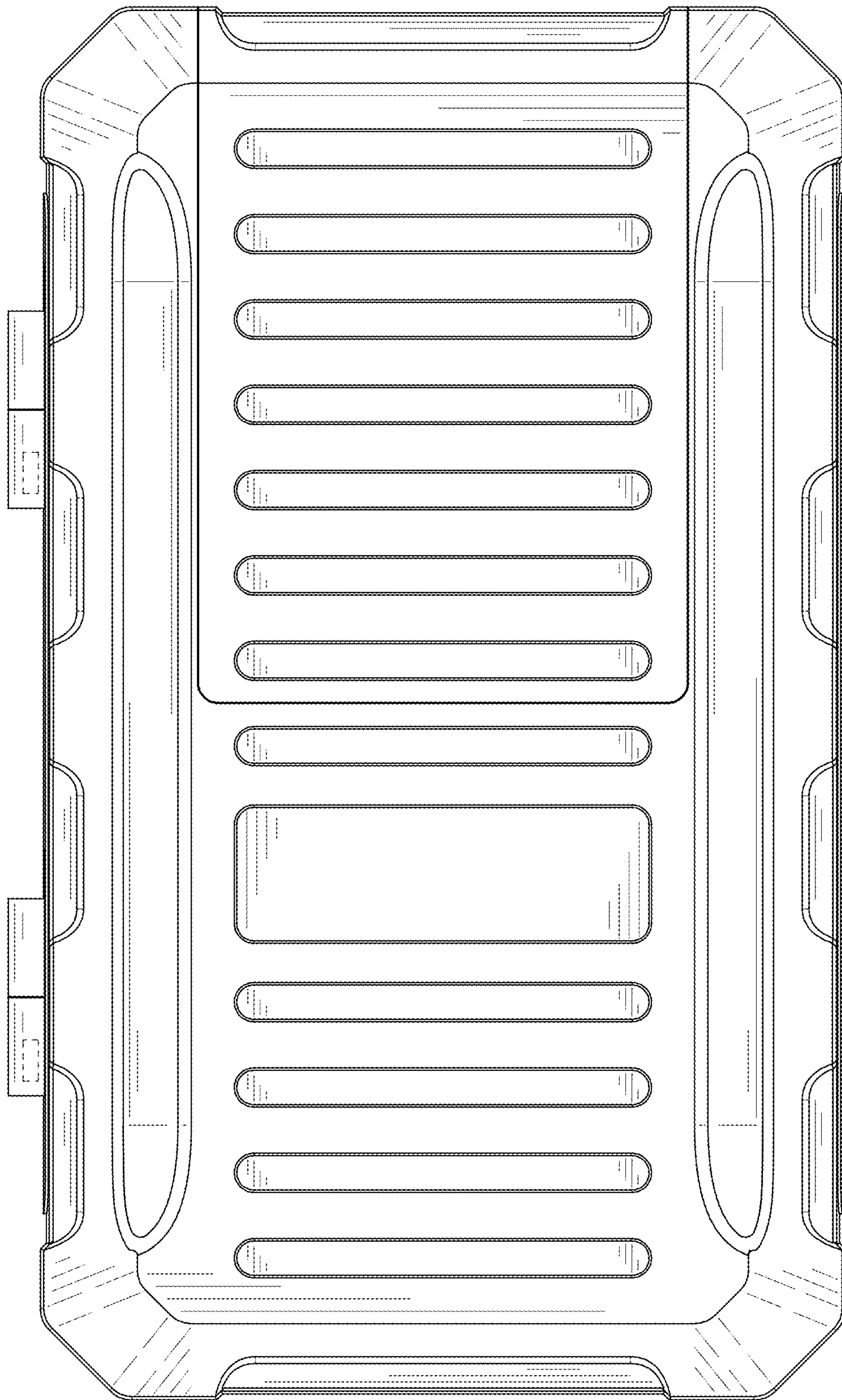


FIG. 4

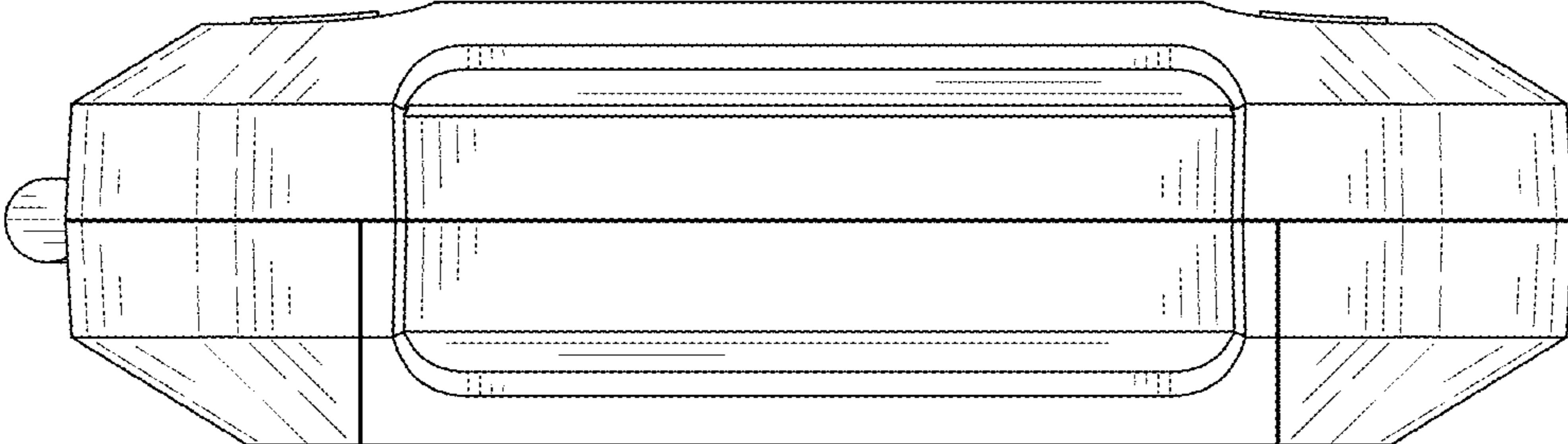


FIG. 5

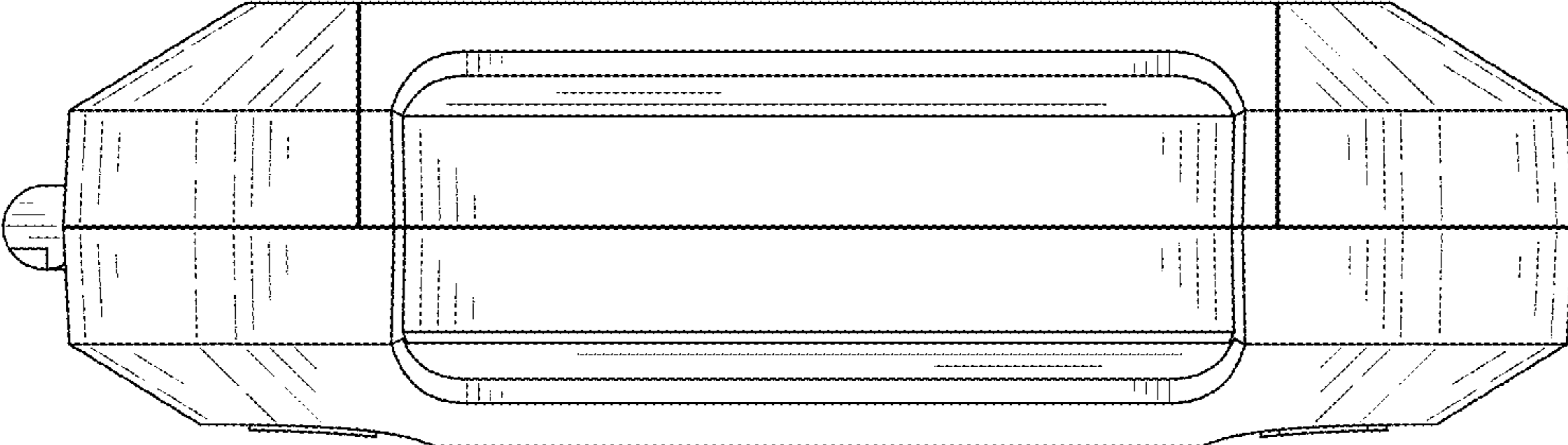


FIG. 6



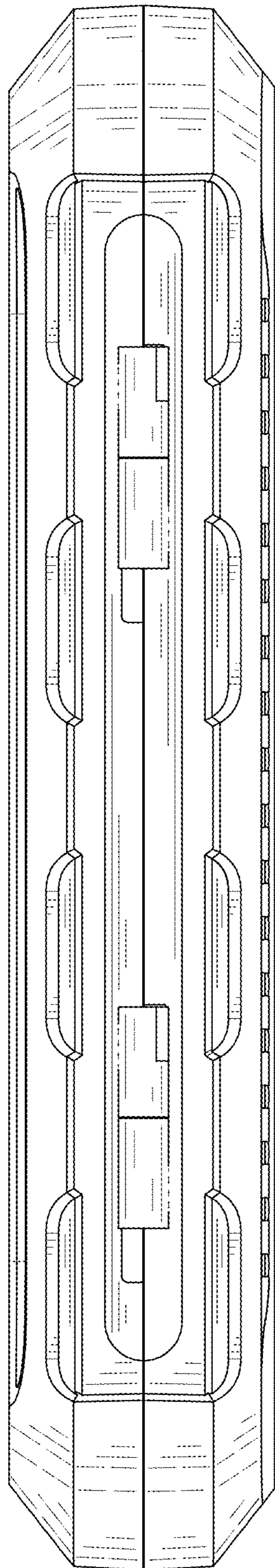


FIG. 7

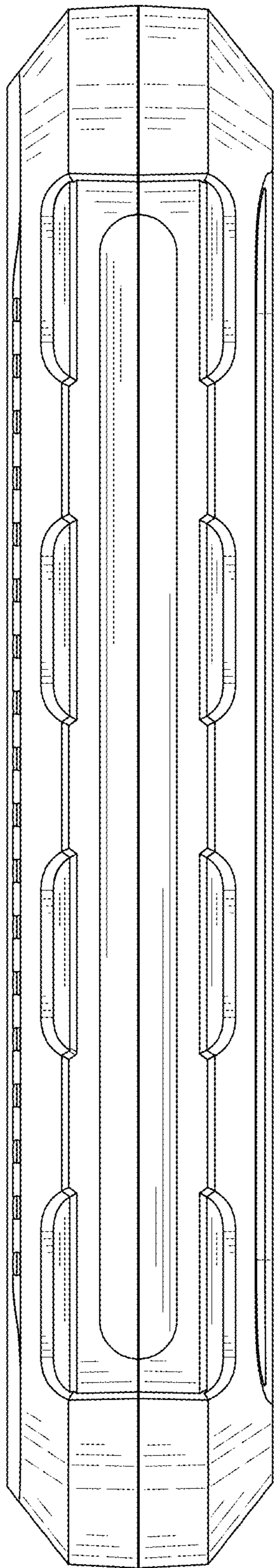


FIG. 8

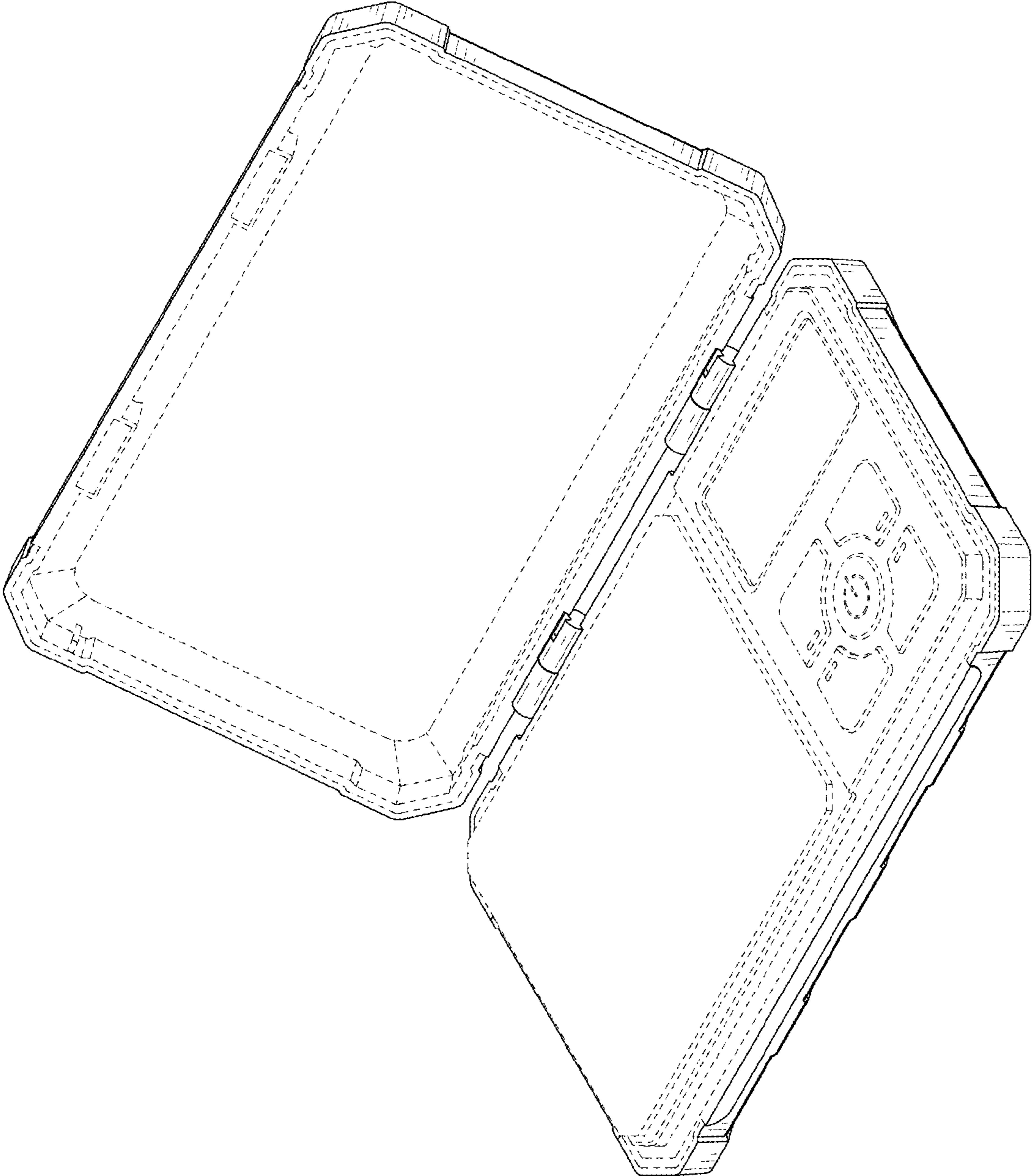


FIG. 9