



US00D935924S

(12) **United States Design Patent**
Dai

(10) **Patent No.:** **US D935,924 S**

(45) **Date of Patent:** **** Nov. 16, 2021**

(54) **SCALE**

(71) Applicant: **Tian Dai**, Dezhou (CN)

(72) Inventor: **Tian Dai**, Dezhou (CN)

(**) Term: **15 Years**

(21) Appl. No.: **29/734,332**

(22) Filed: **May 11, 2020**

(51) **LOC (13) Cl.** **10-04**

(52) **U.S. Cl.**
USPC **D10/87; D10/46.2**

(58) **Field of Classification Search**
USPC D10/83-96, 46-46.3
CPC G01G 21/28; G01G 21/00; G01G 21/286;
G01G 21/30; G01G 23/3728; G01G
23/3735; G01G 19/44; G01G 3/14; G01G
23/166; G01G 19/46; G01G 19/48; G01G
19/50; G01G 21/44; G01G 19/414; G01G
19/4144; G01G 19/42; F16F 1/123; A61B
5/053; A61B 5/4872; A61B 5/0537; A61B
5/4869; A61B 5/6825; A61B 5/6829;
A61B 5/7445; A61B 5/1072; G06Q
20/3678; G06Q 20/387; G06Q 20/065;
G06Q 20/36; G06Q 20/06; G06Q 20/208;
G09B 19/00; G16H 20/00; G16H 40/63;
A47G 21/004; A47G 21/00; G01F 19/00;
A47J 43/28; A47J 43/00

See application file for complete search history.

(56) **References Cited**

U.S. PATENT DOCUMENTS

3,277,714 A * 10/1966 Crandell et al. A47J 43/281
374/157
4,116,290 A * 9/1978 Fishman G01G 3/02
177/149
5,934,181 A * 8/1999 Adamczewski A47J 45/068
99/342
D468,220 S * 1/2003 Harris D10/46.2
6,928,870 B1 * 8/2005 Liebowitz A47G 21/004
222/191

9,357,865 B2 * 6/2016 Baym A47G 21/02
9,750,361 B2 * 9/2017 Hyde A47G 21/04
9,773,427 B2 * 9/2017 Ghalavand G16H 20/60
D862,254 S * 10/2019 Schopf D10/46.2
D906,772 S * 1/2021 Jacobs D7/691

(Continued)

FOREIGN PATENT DOCUMENTS

CN 304374453 * 6/2017
CN 305080268 * 3/2019
CN 306173804 * 5/2020

(Continued)

OTHER PUBLICATIONS

Belmaks,Digital Kitchen Scale,Date first available Oct. 15, 2017,
[online]retrieved Jul. 21, 2021,available from https://www.amazon.com/Digital-Electronic-Measuring-Portioning-Medicine/dp/B076H114FN/ref=pd_sbs_2/141-7747482-1120229?pd_rd_w=sksat&pf_rd_p=0f56f70f-21e6-4d11-bb4a-bcdb928a3c5a&pf_rd (Year: 2017).*

(Continued)

Primary Examiner — Keli L Hill
Assistant Examiner — Sara S Sahneh

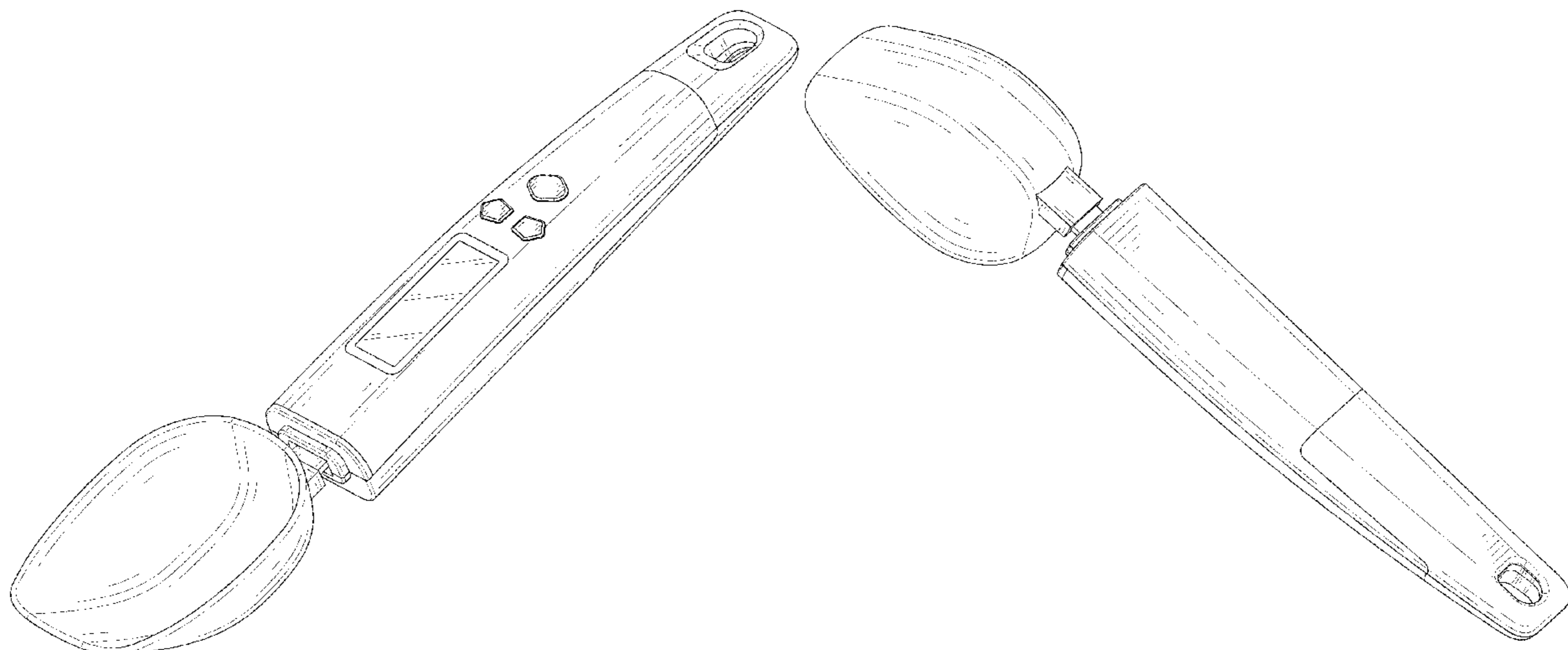
(57) **CLAIM**

The ornamental design for a scale, as shown and described.

DESCRIPTION

FIG. 1 is a perspective view of a scale showing my new design;
FIG. 2 is another perspective view thereof;
FIG. 3 is a front elevational view thereof;
FIG. 4 is a rear elevational view thereof;
FIG. 5 is a left side elevational view thereof;
FIG. 6 is a right side elevational view thereof;
FIG. 7 is a top plan view thereof; and,
FIG. 8 is a bottom plan view thereof.

1 Claim, 8 Drawing Sheets



(56)

References Cited

U.S. PATENT DOCUMENTS

2005/0011367 A1* 1/2005 Crow G01F 19/002
99/342
2016/0372004 A1* 12/2016 Pathak A61B 5/4836

FOREIGN PATENT DOCUMENTS

CN 306160640 * 7/2020
EM 002687517-0001 * 4/2015
GB 6100933 * 9/2020
WO D085659-001 * 10/2014

OTHER PUBLICATIONS

YYGIFT, Electronic Scale, Date first available Apr. 7, 2016, [online]retrieved Jul. 21, 2021, available from https://www.amazon.com/YYGIFT-Electronic-Digital-Measuring-Display/dp/B01DXE7VMO/ref=pd_sbs_13/141-7747482-1120229?pd_rd_w=Szwuk&pf_rd_p=0f56f70f-21e6-4d11-bb4a-bcdb928a3c5a&pf_rd_r= (Year: 2016).*

Royalcare, Pet Food Scoop, Date first available Feb. 19, 2019, [online]retrieved Jul. 21, 2021, available from https://www.amazon.com/RoyalCare-Precise-Measuring-Detachable-Scooper/dp/B07NWGX2G7/ref=pd_sbs_23/141-7747482-1120229?pd_rd_w=V3tAu&pf_rd_p=0f56f70f-21e6-4d11-bb4a-bcdb928a3 (Year: 2019).*

JoeFrex Store, Digital Kitchen Spoon Scale, Date first available Oct. 27, 2014, [online]retrieved Jul. 21, 2021, available from https://www.amazon.com/JOEFREX-xsw-Digital-Kitchen-Spoon/dp/B00OY20PAU/ref=sr_1_29?dchild=1&keywords=Digital+Kitchen+Spoon+Scale+xsw&qid=1626882190&s=industrial&sr=1-29 (Year: 2014).*

* cited by examiner

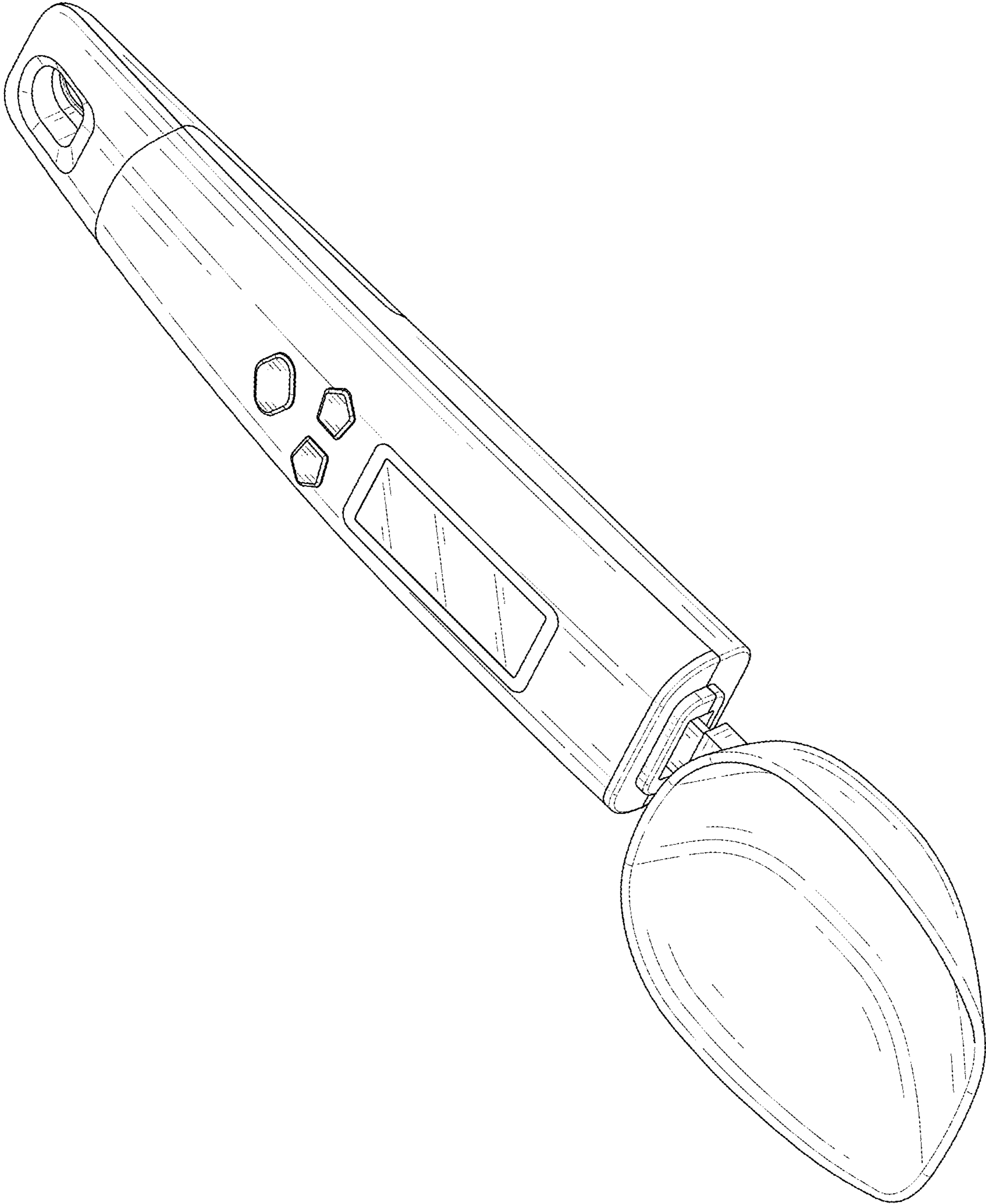


FIG. 1

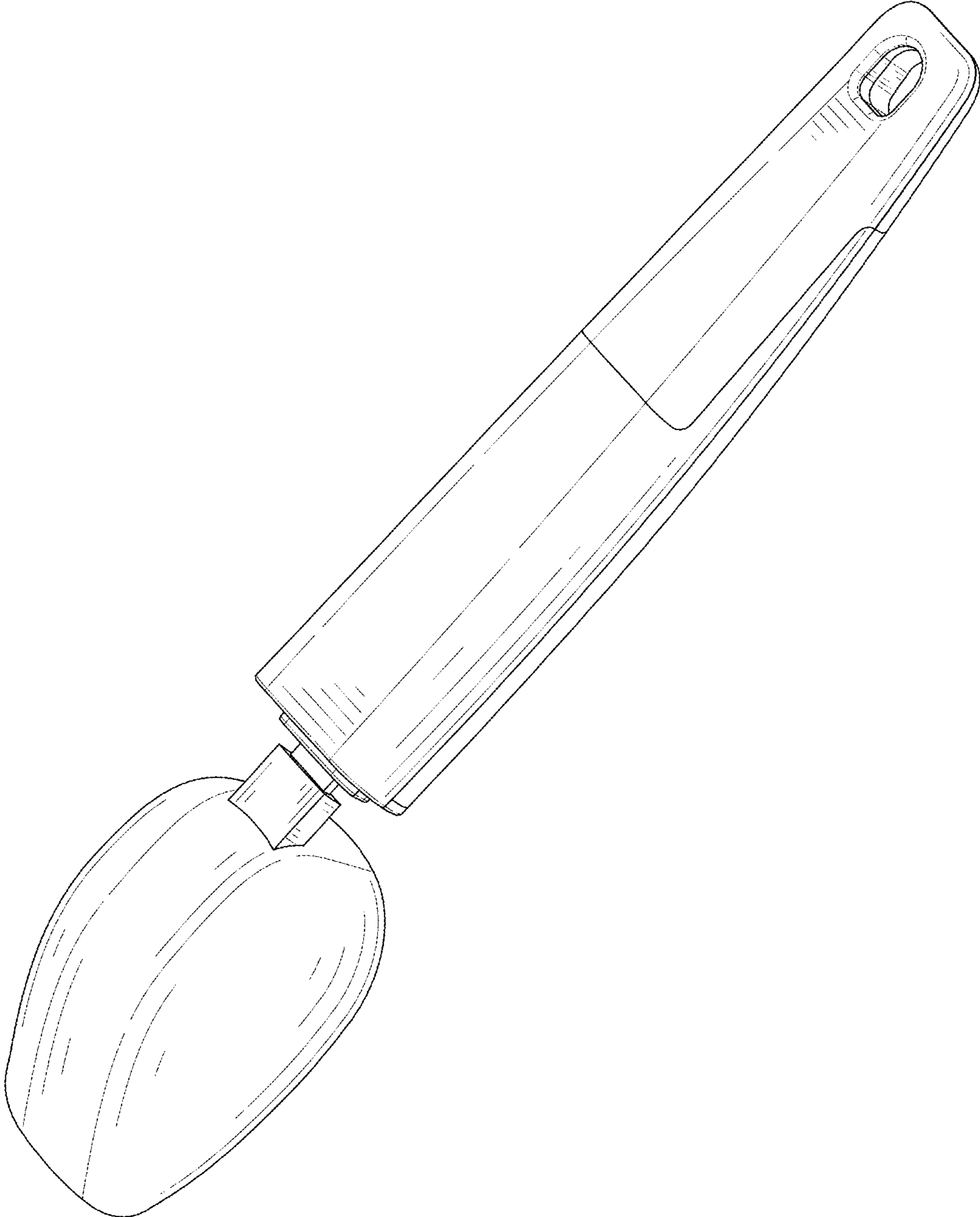


FIG. 2

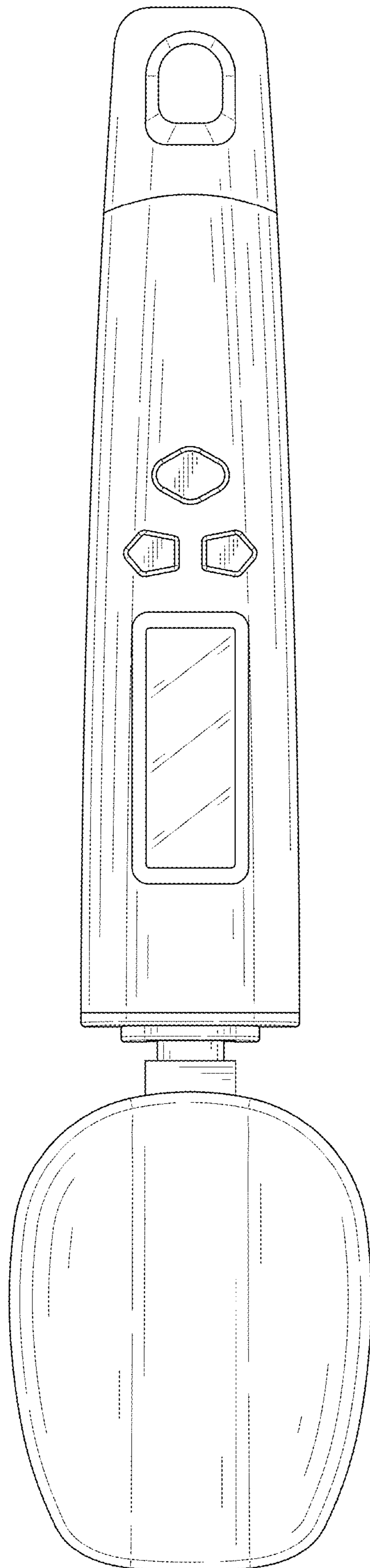


FIG. 3

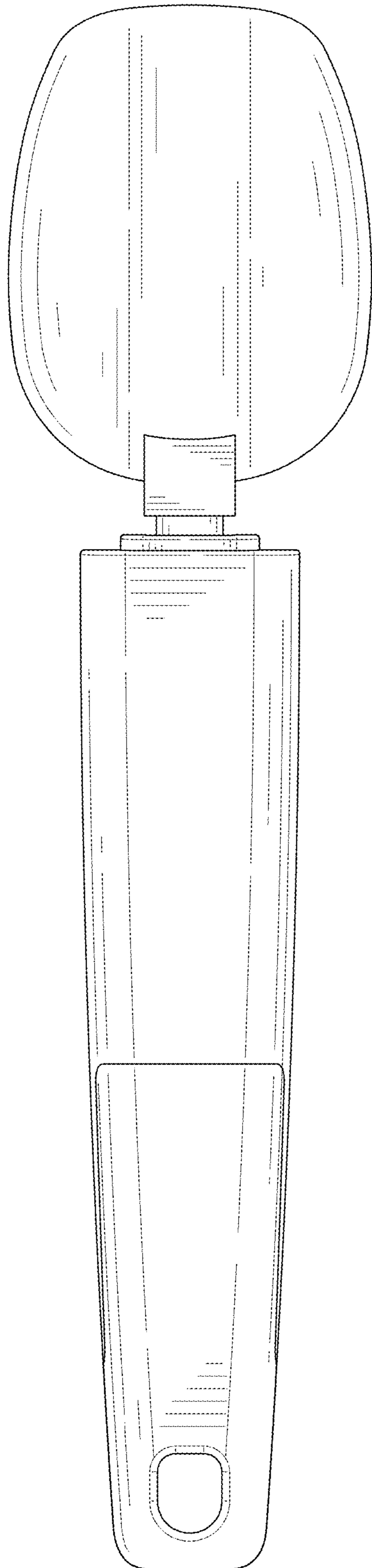


FIG. 4

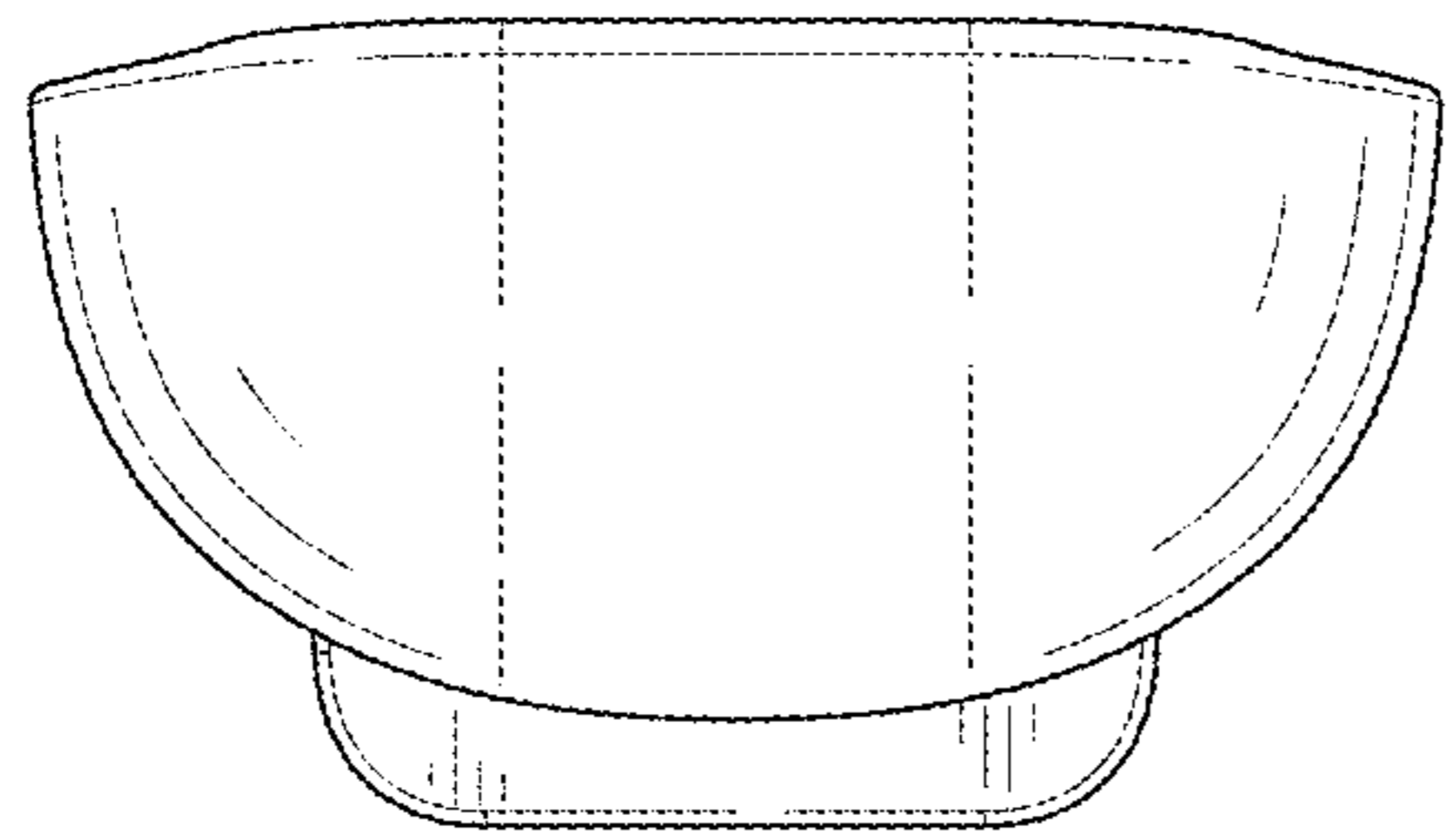


FIG. 5

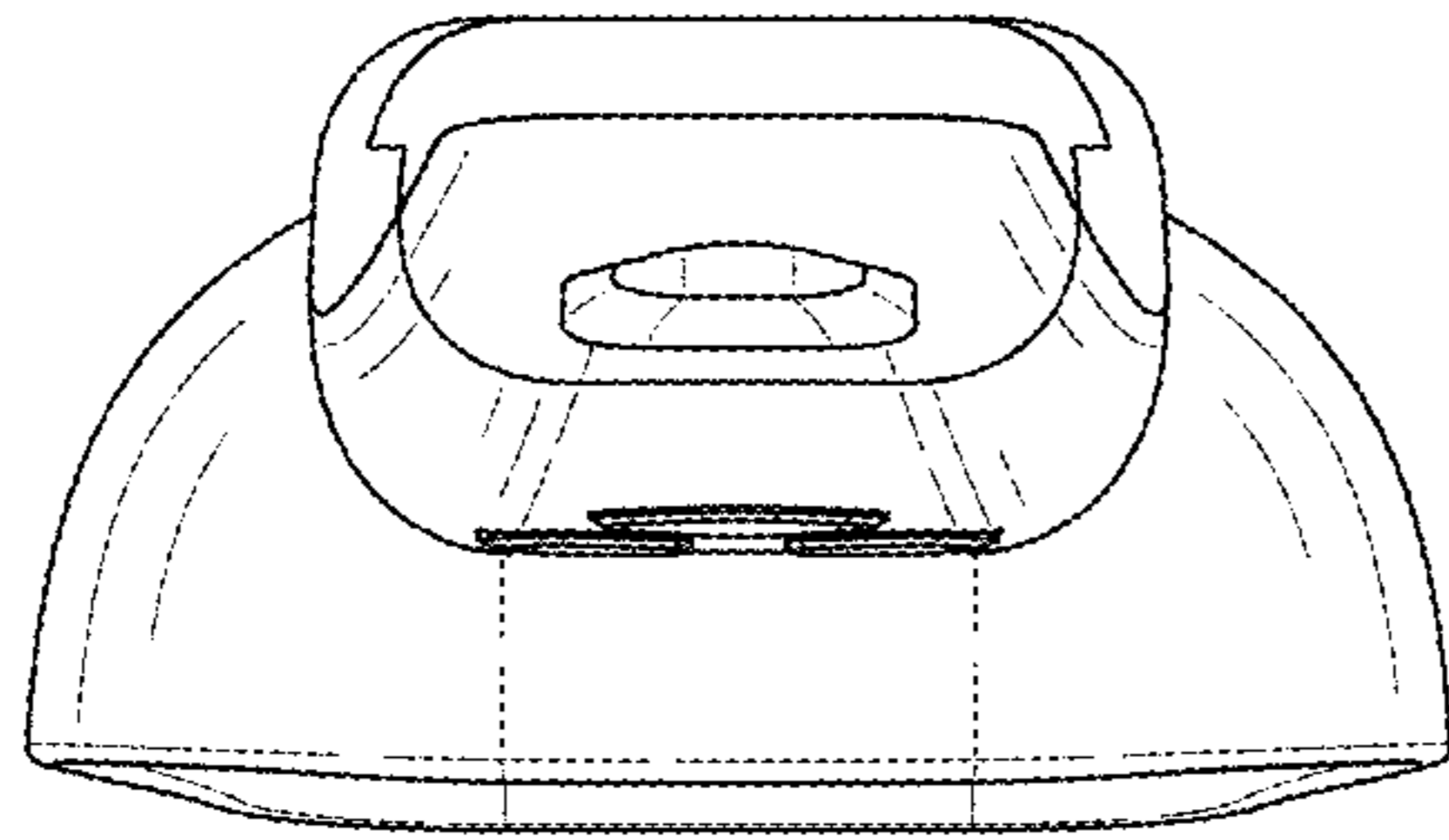


FIG. 6

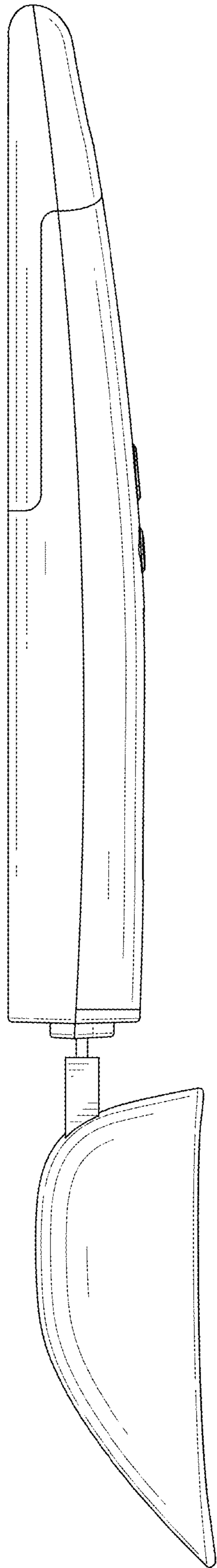


FIG. 7

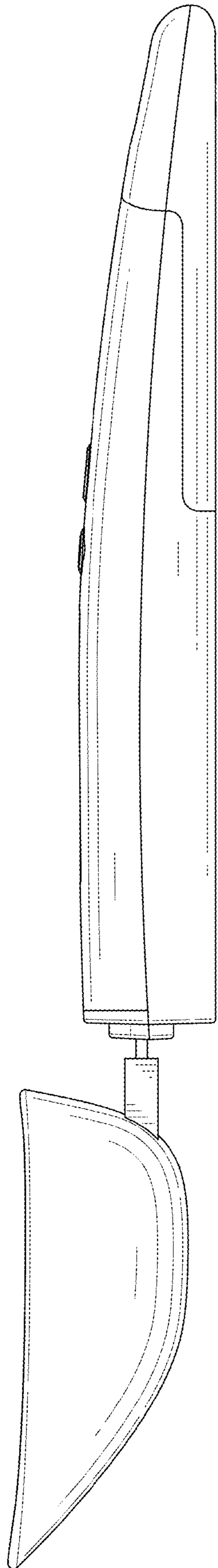


FIG. 8