



US00D935920S

(12) **United States Design Patent**
Ney et al.

(10) **Patent No.:** **US D935,920 S**

(45) **Date of Patent:** **** Nov. 16, 2021**

(54) **TAPE MEASURE**

(71) Applicant: **Hoechstmass Balzer GmbH**, Sulzbach (DE)

(72) Inventors: **Carsten Ney**, Frankfurt (DE); **Klaus Krebs**, Bad Soden (DE)

(73) Assignee: **HOECHSTMAS BALZER GMBH**, Sulzbach (DE)

(**) Term: **15 Years**

(21) Appl. No.: **29/705,456**

(22) Filed: **Sep. 12, 2019**

(51) **LOC (13) Cl.** **10-04**

(52) **U.S. Cl.**
USPC **D10/72**

(58) **Field of Classification Search**
USPC D10/72

CPC G01B 3/10; G01B 3/1002; G01B 3/1041; G01B 2003/1043; G01B 2003/1046; G01B 2003/1048; G01B 2003/1051; G01B 2003/1053–2003/1097; G01B 3/1082; G01B 3/1056; G01B 3/563; G01B 3/566; G01B 3/1071; G01B 2003/1089; G01B 2003/1092; G01B 2001/1079; G01B 2003/1041; G01B 2003/1084; G07B 3/10

See application file for complete search history.

(56) **References Cited**

U.S. PATENT DOCUMENTS

D440,891 S * 4/2001 Ponce D10/72
D473,807 S * 4/2003 Bohnengel D10/72

D496,293 S * 9/2004 Clontz D10/72
D604,186 S * 11/2009 Schrage D10/72
D653,133 S * 1/2012 Huang D10/72
D731,335 S * 6/2015 Rhoden D10/72

* cited by examiner

Primary Examiner — Antoine Duval Davis

(74) *Attorney, Agent, or Firm* — Ralph E. Jocke; Walker & Jocke

(57) **CLAIM**

An ornamental design for a tape measure, as shown and described.

DESCRIPTION

FIG. 1 is a front top right perspective view showing our new design for a tape measure.

FIG. 2 is a front top right perspective view thereof similar to FIG. 1, but with a hook extended.

FIG. 3 is a right side view thereof.

FIG. 4 is a right side view thereof similar to FIG. 3, but with the hook extended.

FIG. 5 is a left side view thereof.

FIG. 6 is a left side view thereof similar to FIG. 5, but with the hook extended.

FIG. 7 is a top view thereof.

FIG. 8 is a top view thereof similar to FIG. 7, but with the hook extended.

FIG. 9 is a bottom view thereof.

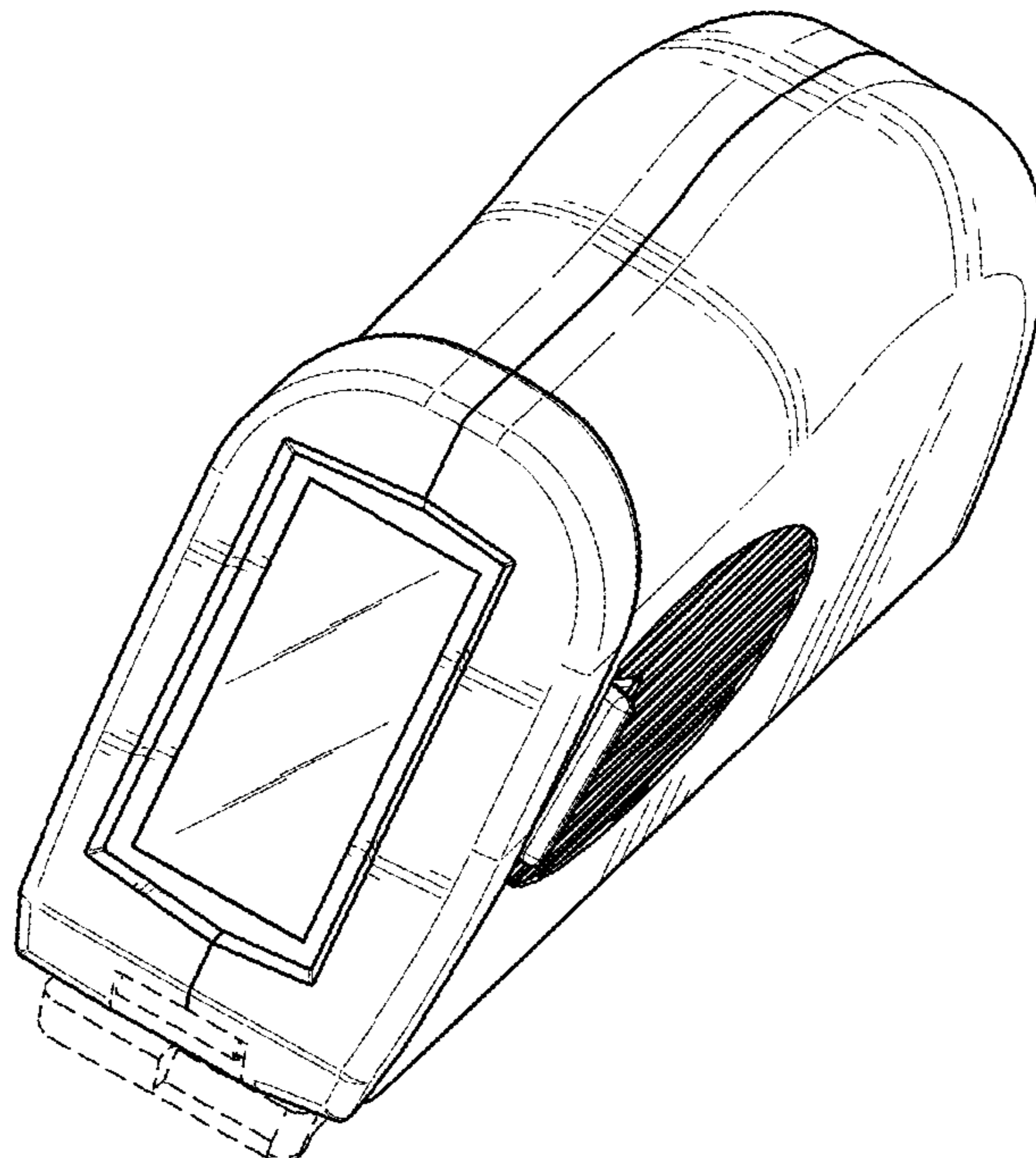
FIG. 10 is a bottom view thereof similar to FIG. 9, but with the hook extended.

FIG. 11 is a back view thereof; and,

FIG. 12 is a front view thereof.

The broken lines in the drawings depict portions of the tape measure that form no part of the claimed design.

1 Claim, 6 Drawing Sheets



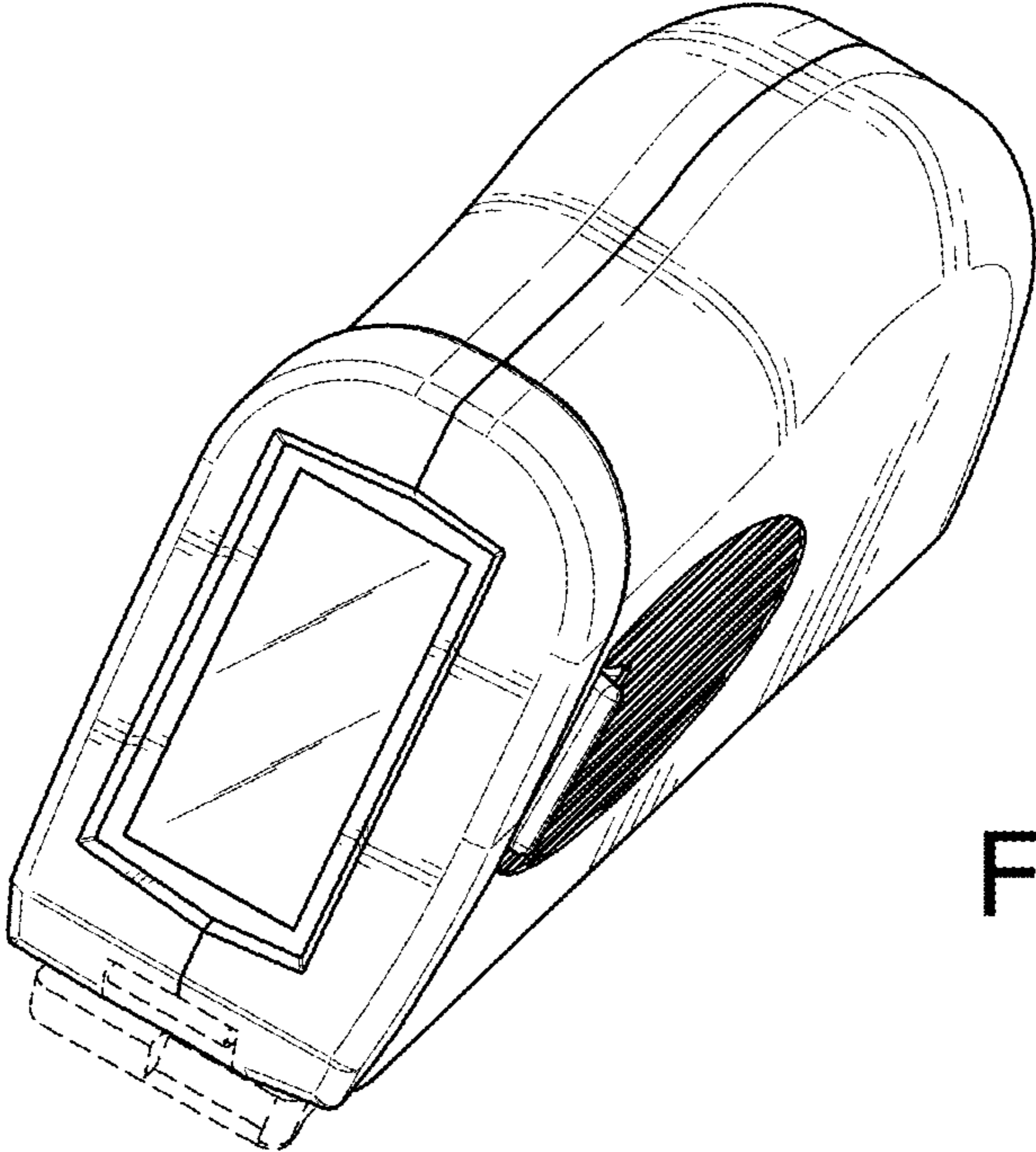


FIG. 1

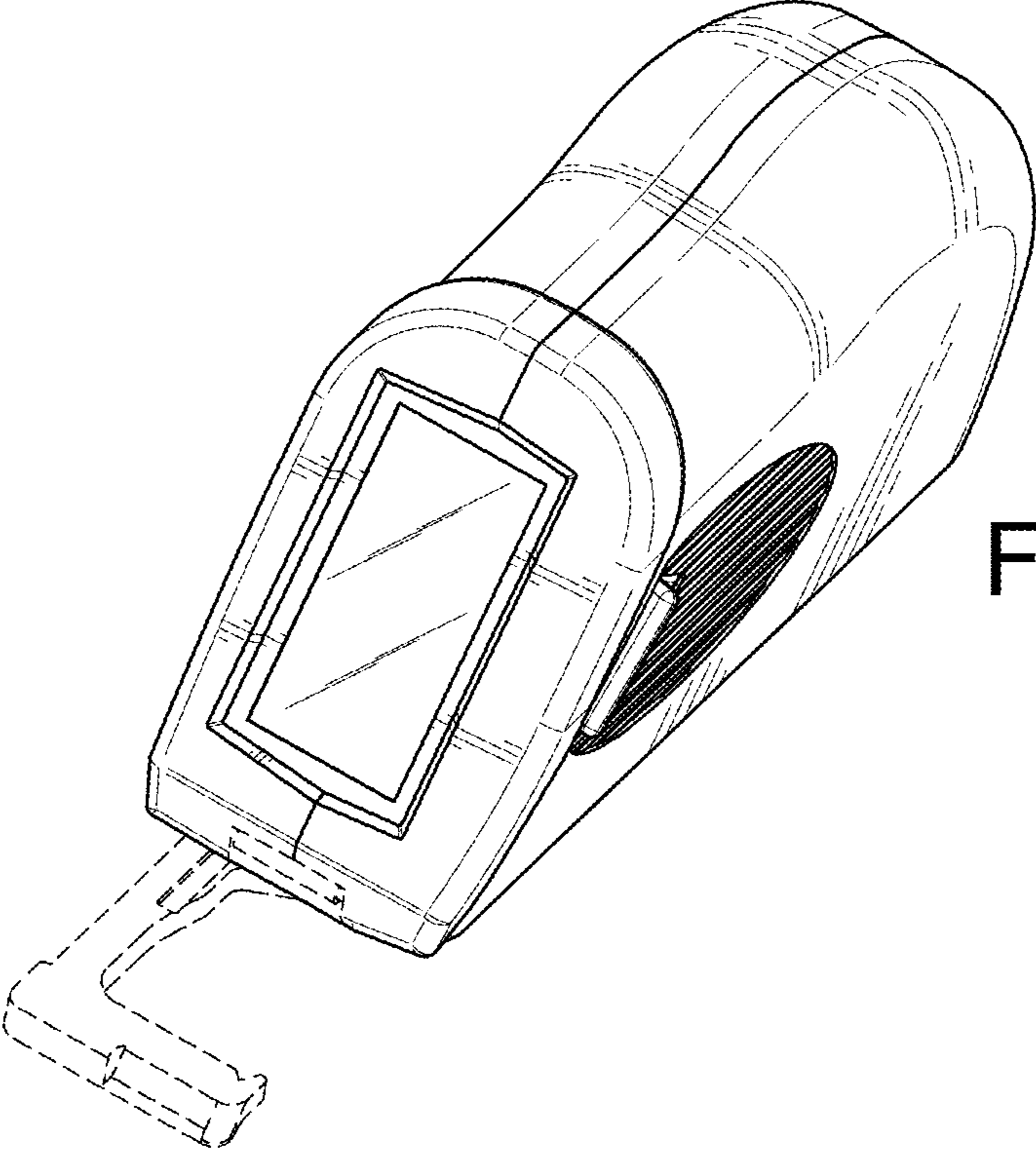


FIG. 2

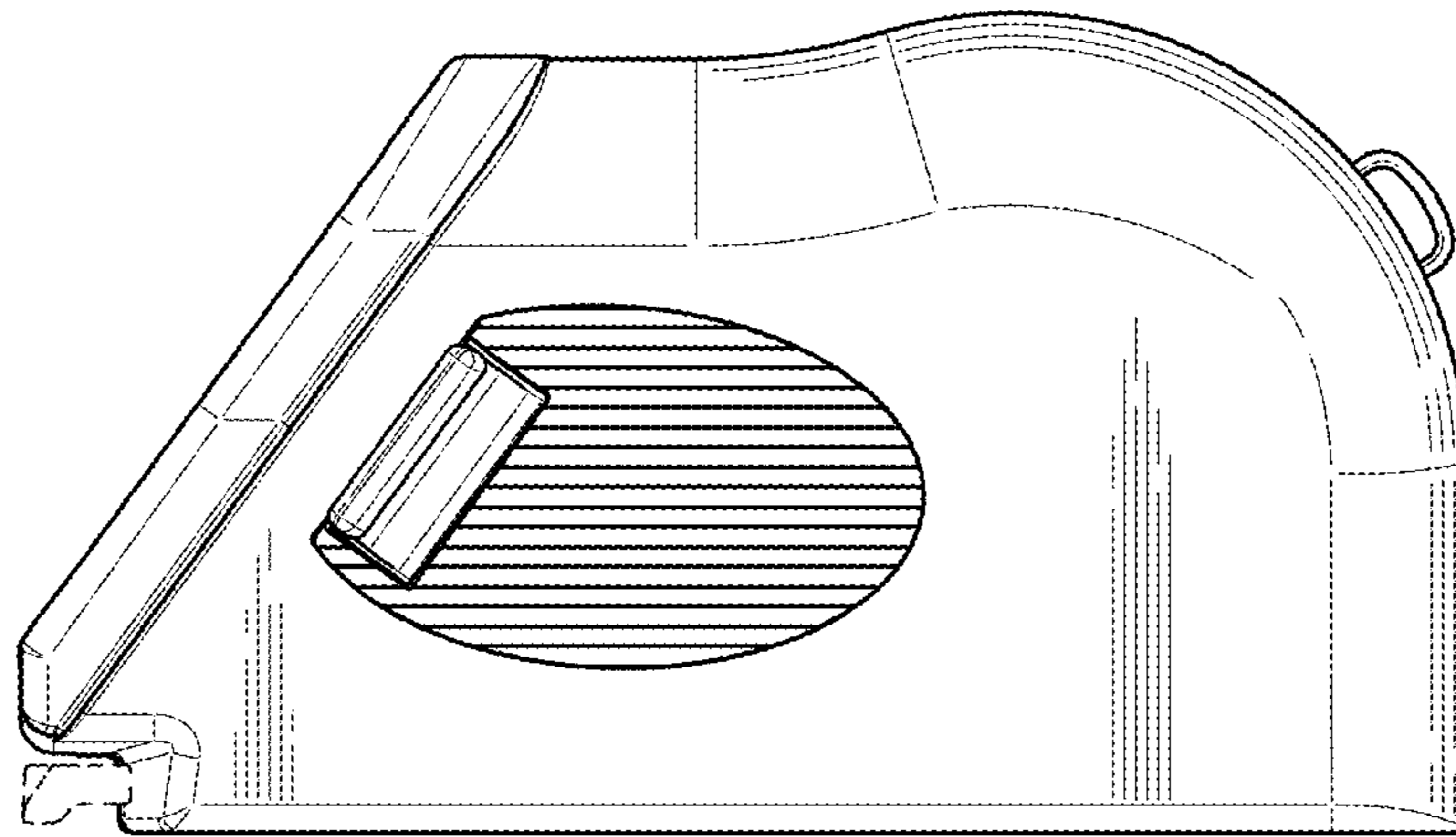


FIG. 3

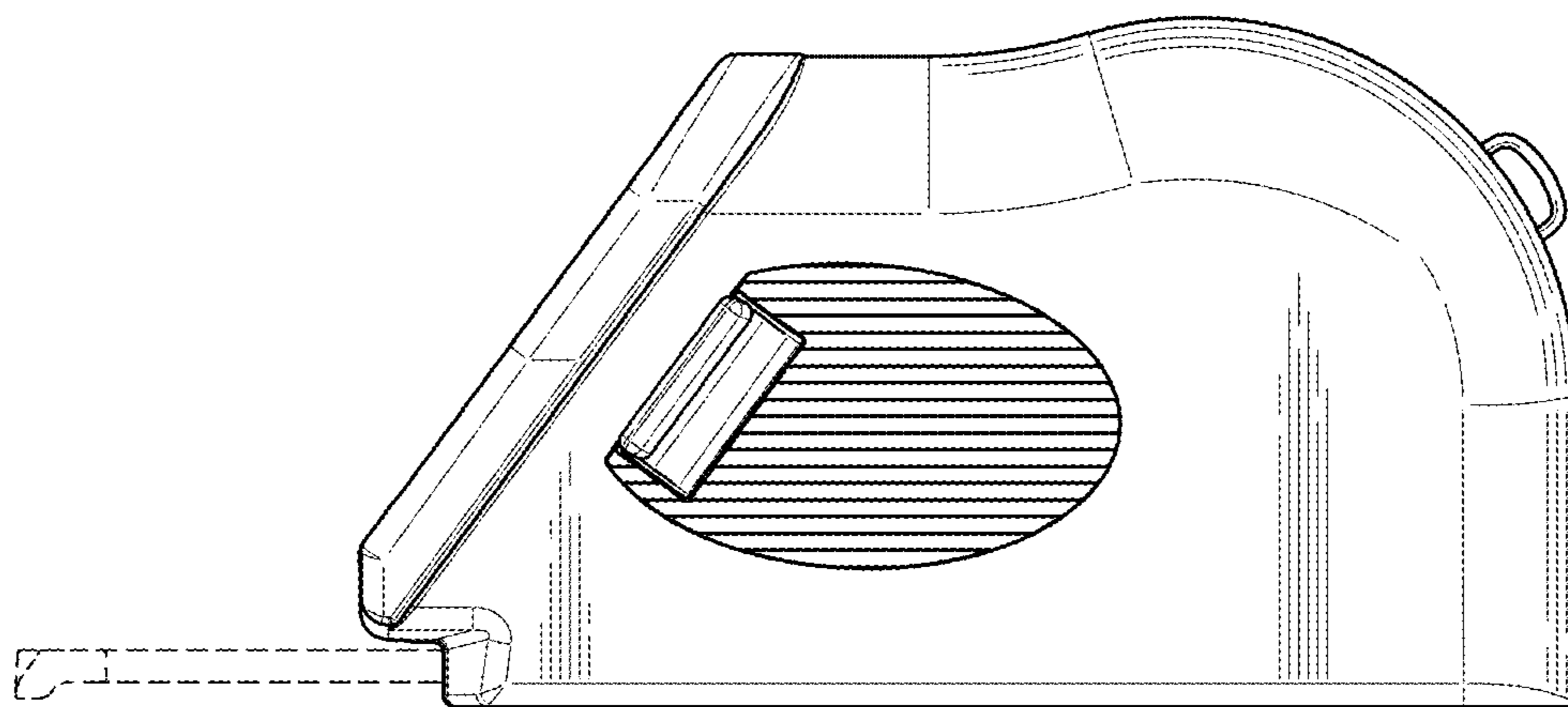


FIG. 4

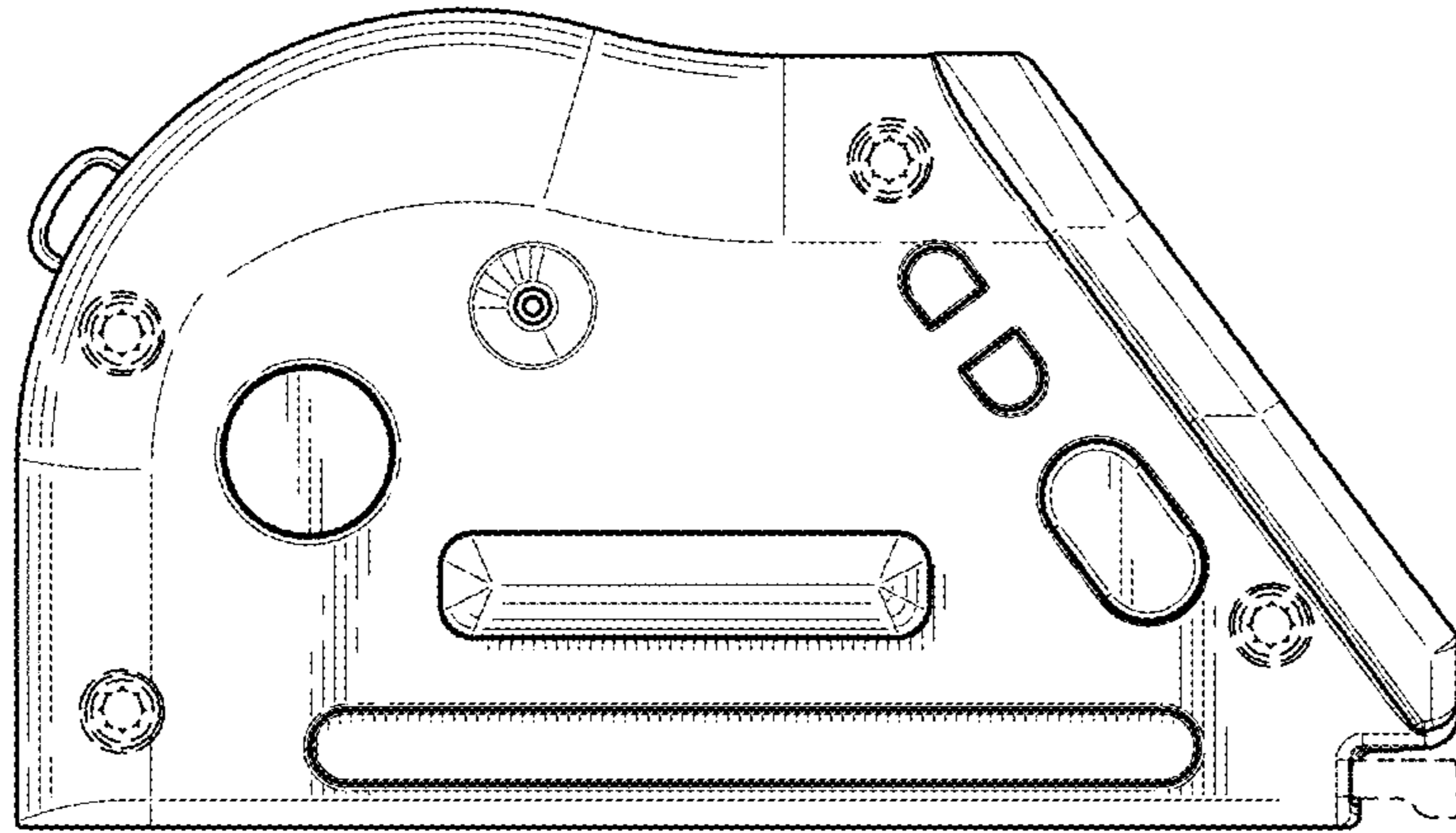


FIG. 5

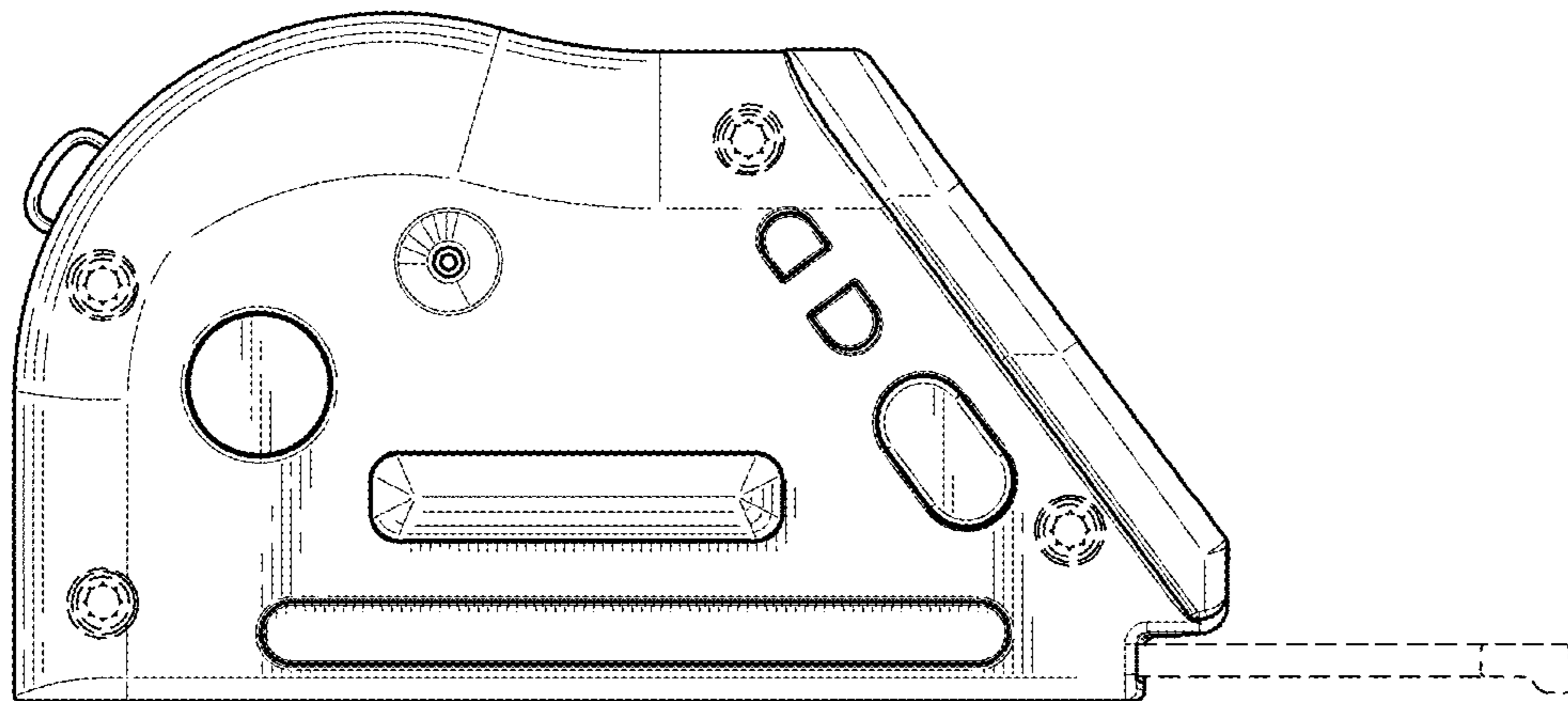


FIG. 6

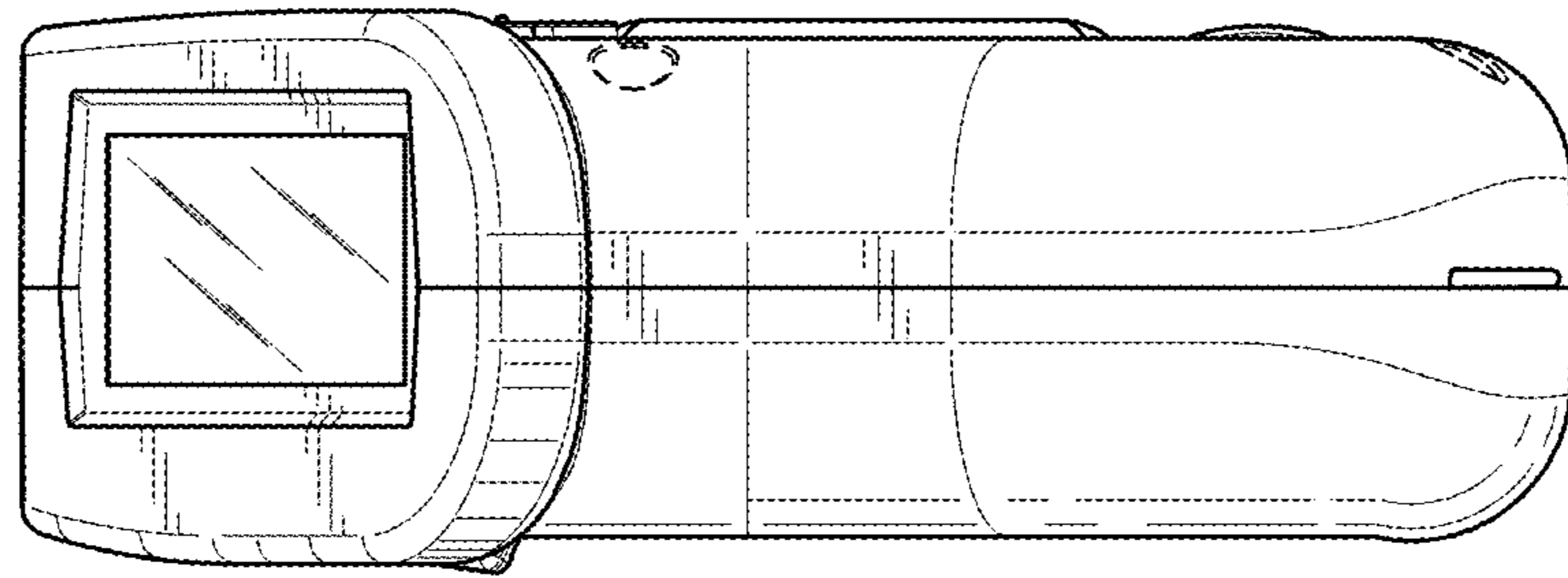


FIG. 7

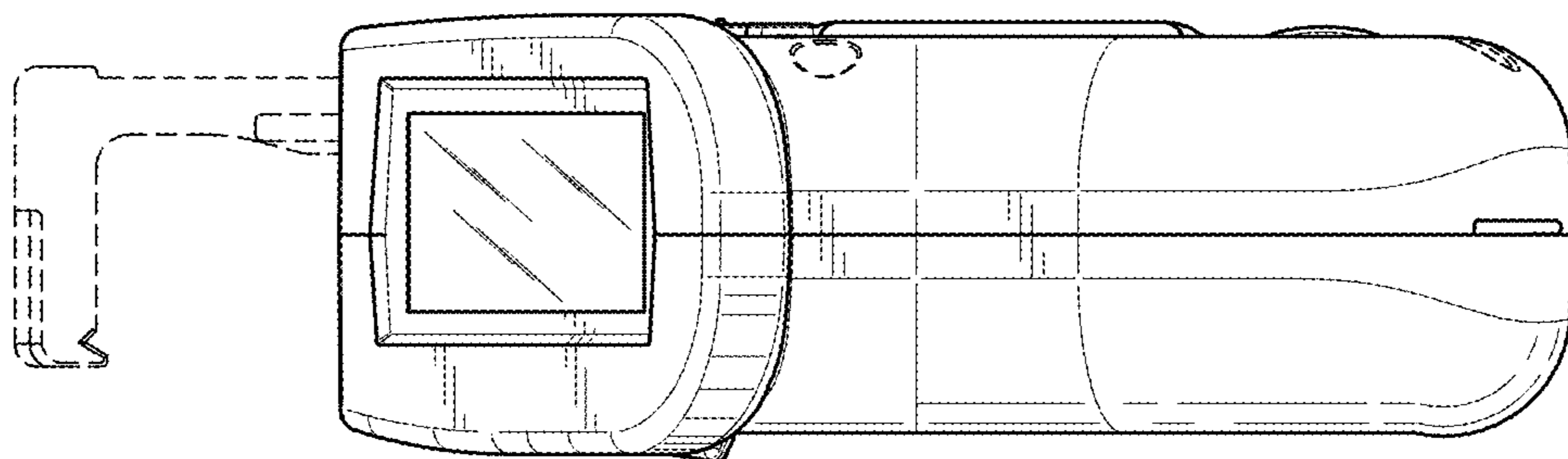


FIG. 8

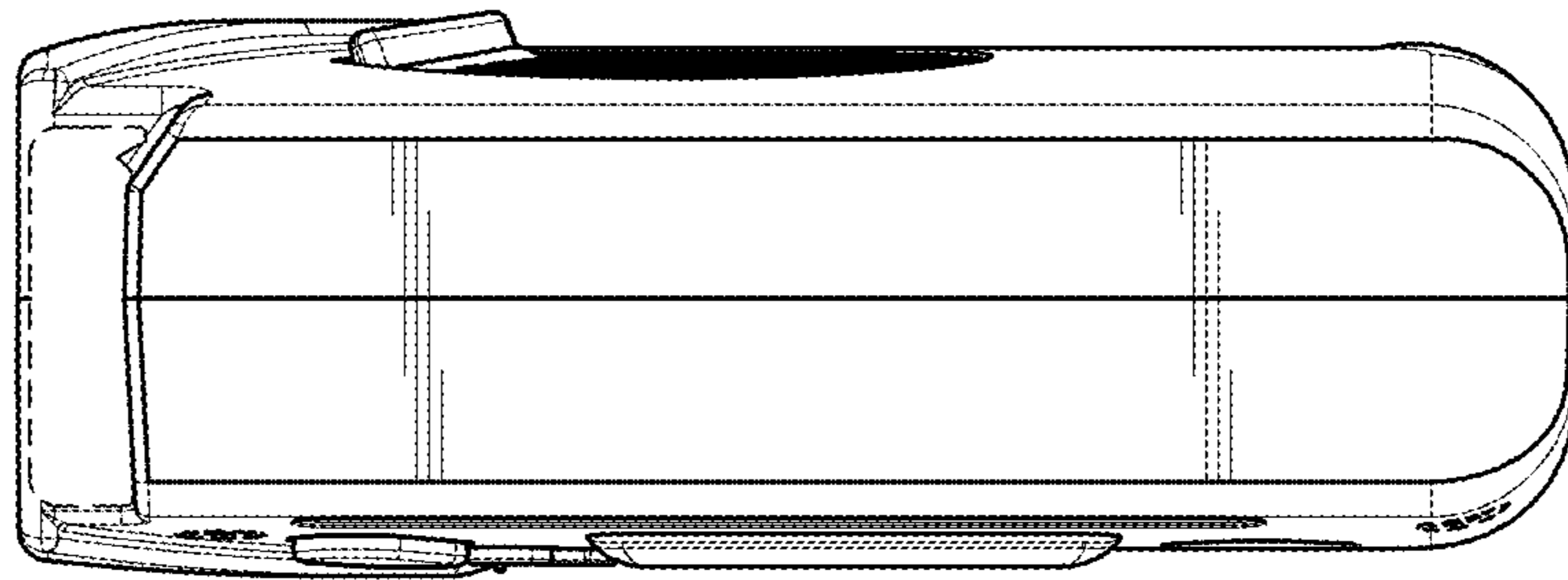


FIG. 9

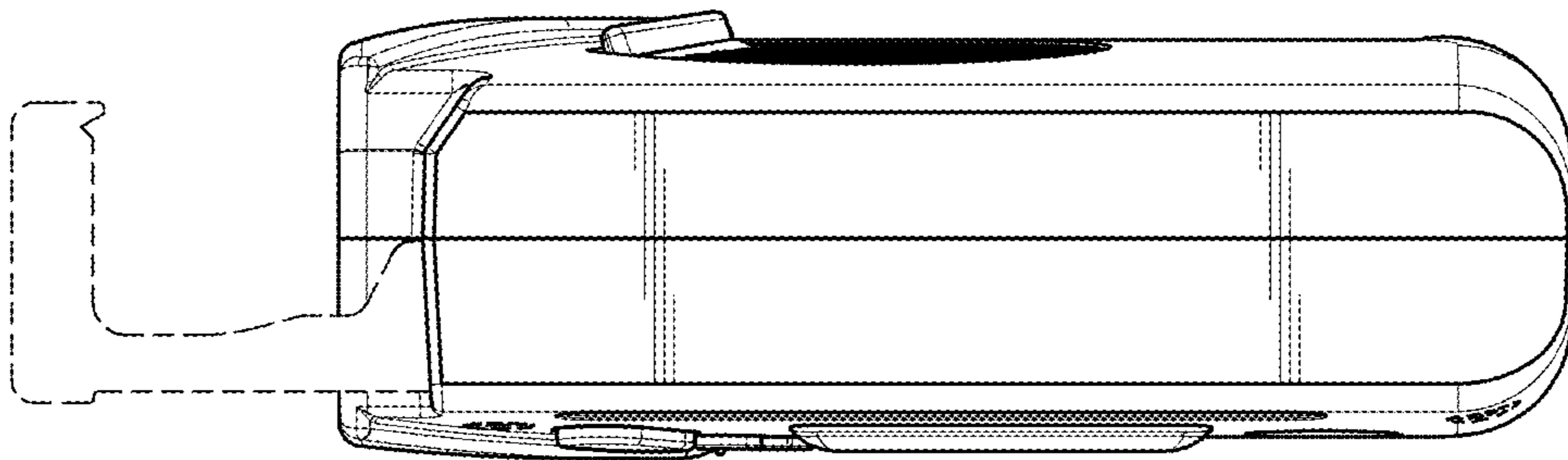


FIG. 10

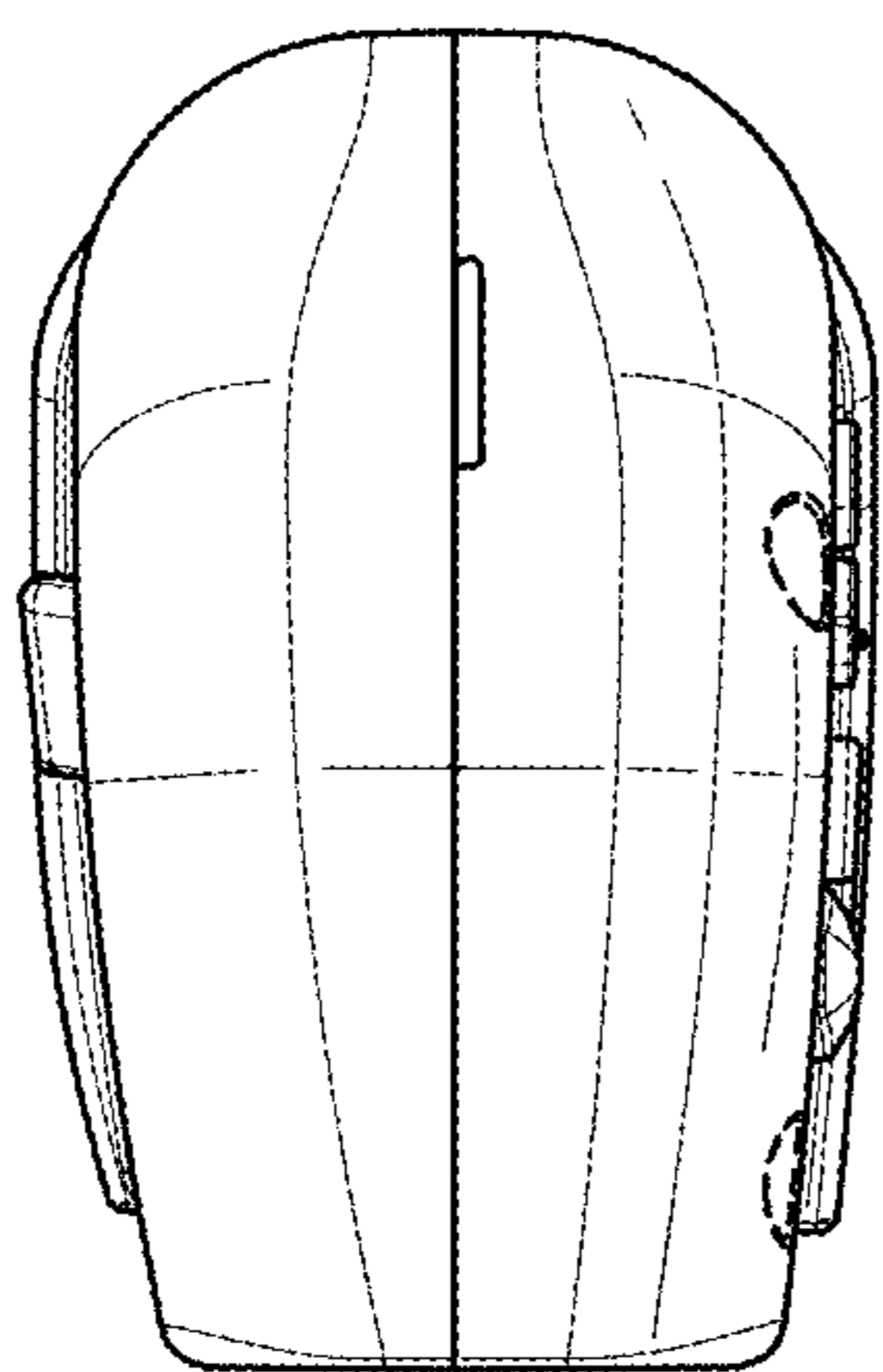


FIG. 11

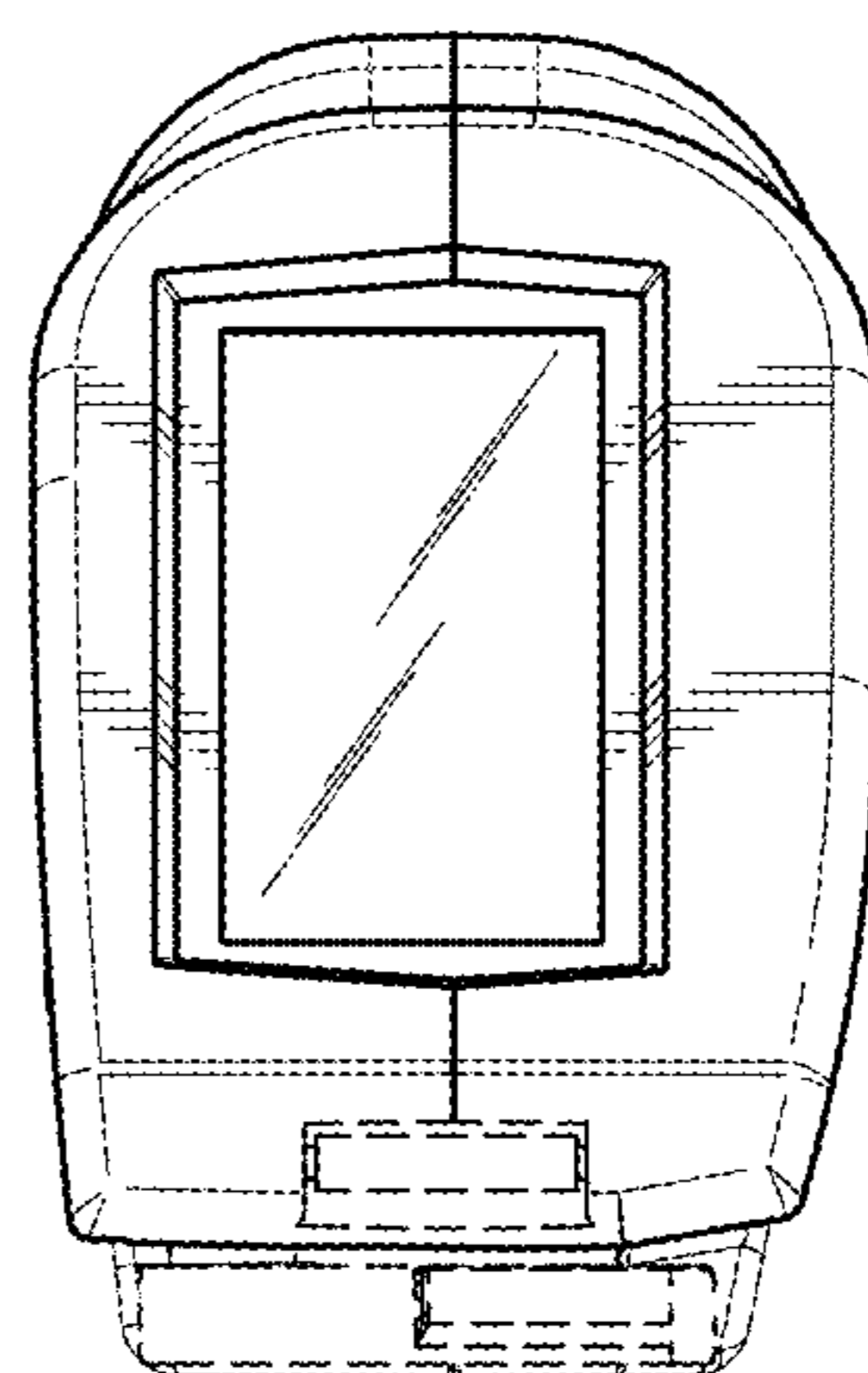


FIG. 12