



US00D935913S

(12) **United States Design Patent** (10) **Patent No.:** **US D935,913 S**
Barczak et al. (45) **Date of Patent:** **** Nov. 16, 2021**

(54) **ELECTRONIC DEVICE WITH DISPLAY**

(71) Applicant: **Garmin Switzerland GmbH**,
Schaffhausen (CH)
(72) Inventors: **Michael J. Barczak**, Olathe, KS (US);
Jeff D. Taylor, Wellsville, KS (US);
Patrick M. Houin, Kansas City, MO
(US)

(73) Assignee: **Garmin Switzerland GmbH**

(**) Term: **15 Years**

(21) Appl. No.: **29/694,448**

(22) Filed: **Jun. 11, 2019**

(51) **LOC (13) Cl.** **10-04**

(52) **U.S. Cl.**
USPC **D10/70; D22/114**

(58) **Field of Classification Search**
USPC D10/78, 80, 103, 70; D22/113, 114
CPC . F41J 9/00; F41J 9/02; F41J 9/04; F41J 9/06;
F41J 9/08; F41J 9/10; F41J 9/14; F41J
9/16; F41J 9/165; F41J 9/18; F41J 9/20;
F41J 9/22; F41J 9/24; F41J 9/26; F41J
9/28; F41J 9/30; F41J 9/32; F41J 5/00;
F41J 5/02; F41J 5/04
See application file for complete search history.

(56) **References Cited**

U.S. PATENT DOCUMENTS

9,829,280 B1 * 11/2017 Moore F41J 5/18
D895,456 S * 9/2020 Andersson D10/70
D916,608 S * 4/2021 Takahashi D10/70

OTHER PUBLICATIONS

Printout from <https://gopro.com/en/us/shop/cameras/hero8-black/CHDHX-801-master.html>, published prior to Jun. 11, 2019.

Printout from <https://mylabradar.com/>, published prior to Jun. 11, 2019.

Printout from <https://shotkam.com/products/shotkam>, published prior to Jun. 11, 2019.

Printout from <https://www.oculus.com/quest/>, published prior to Jun. 11, 2019.

Printout from <https://www.oculus.com/rift-s/>, published prior to Jun. 11, 2019.

* cited by examiner

Primary Examiner — Antoine Duval Davis

(74) *Attorney, Agent, or Firm* — Samuel M. Korte; Max M. Ali

(57) **CLAIM**

The ornamental design for an electronic device with display, as shown and described.

DESCRIPTION

FIG. 1 is a front perspective view of an electronic device with display according to the present invention;

FIG. 2 is a rear perspective view of the electronic device with display;

FIG. 3 is a top view of the electronic device with display;

FIG. 4 is a front view of the electronic device with display;

FIG. 5 is a bottom view of the electronic device with display;

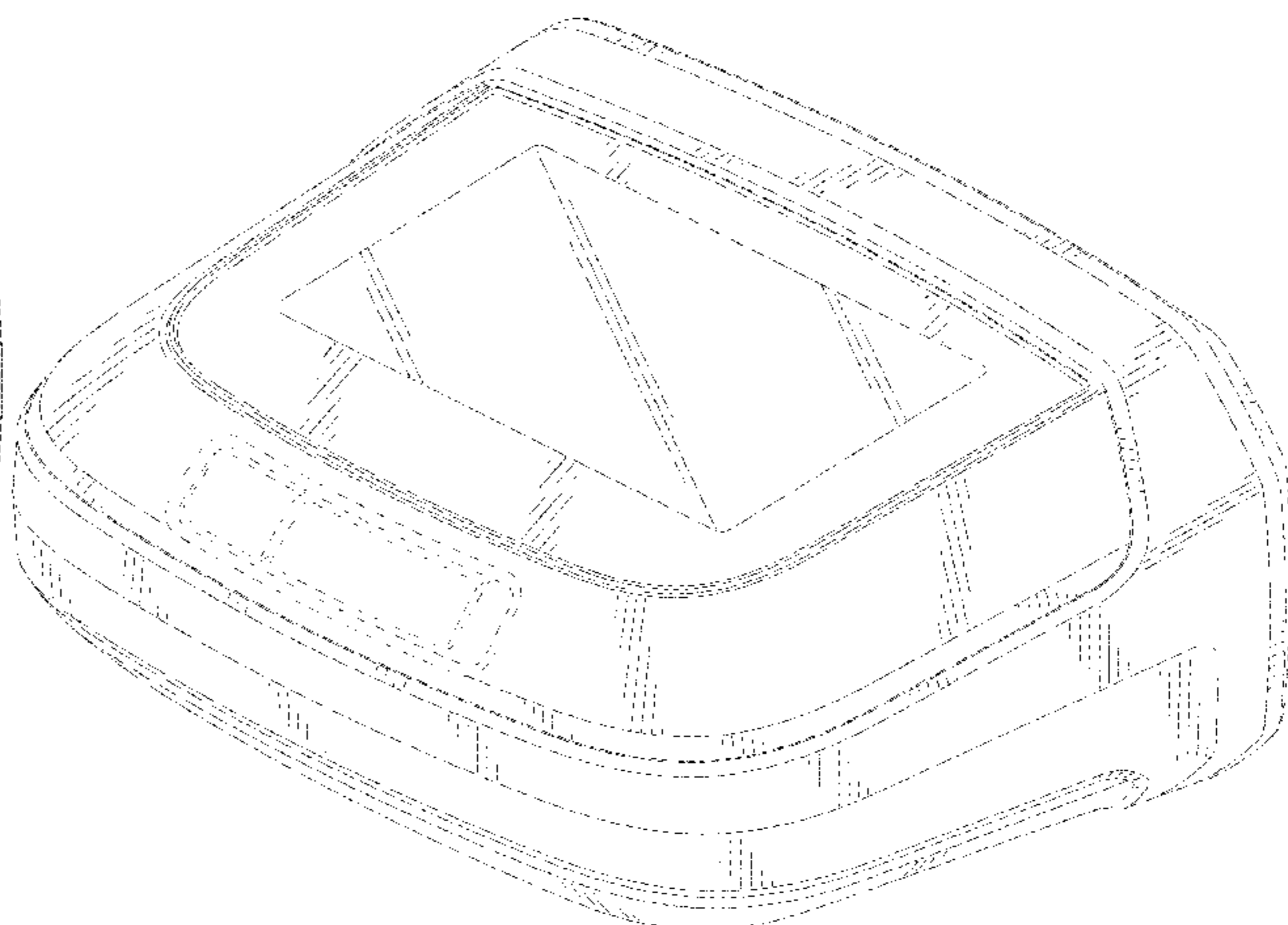
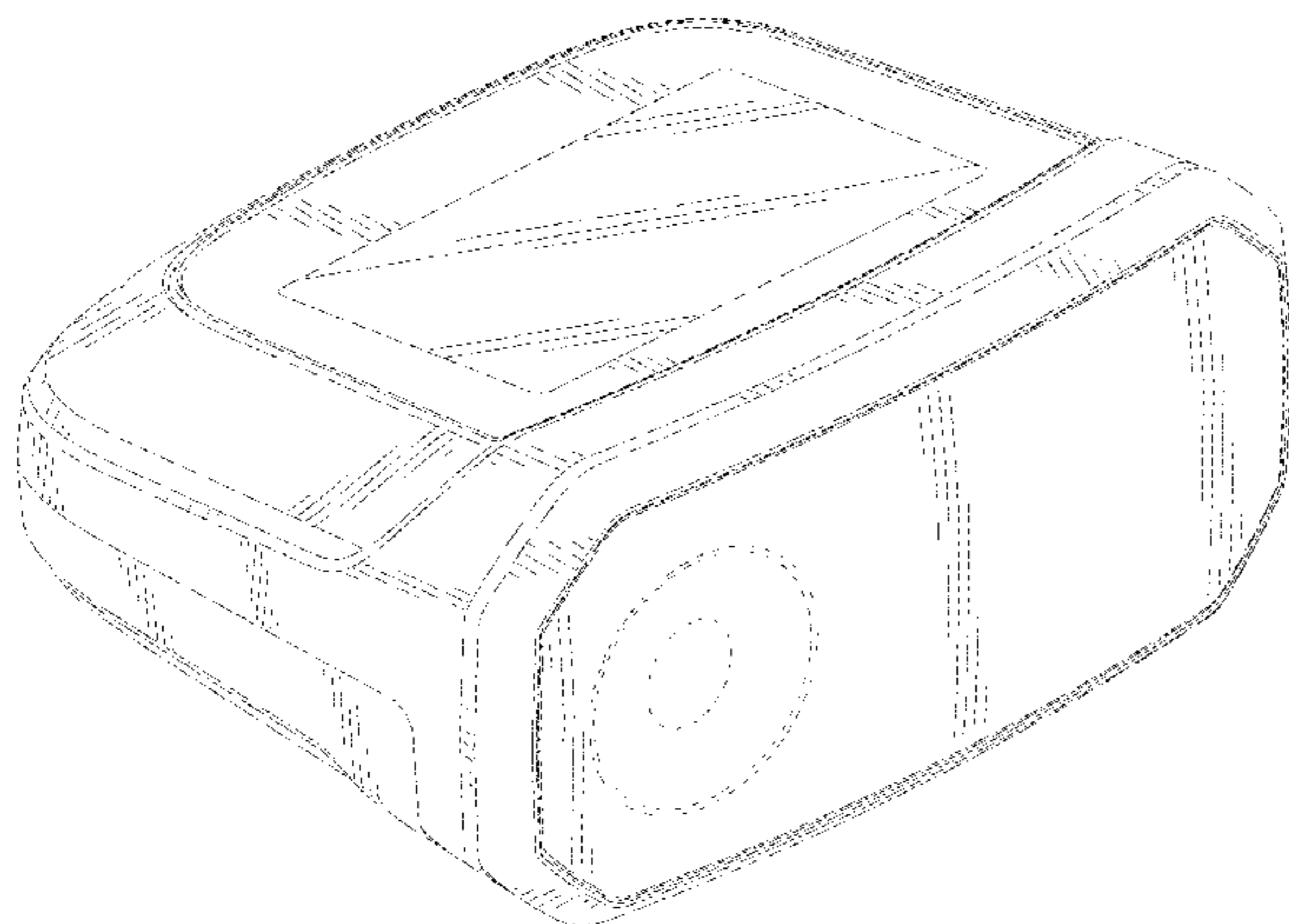
FIG. 6 is a rear view of the electronic device with display;

FIG. 7 is a left side view of the electronic device with display; and,

FIG. 8 is a right side view of the electronic device with display.

The broken lines shown in the drawings represent portions of the electronic device with display that form no part of the claimed design.

1 Claim, 8 Drawing Sheets



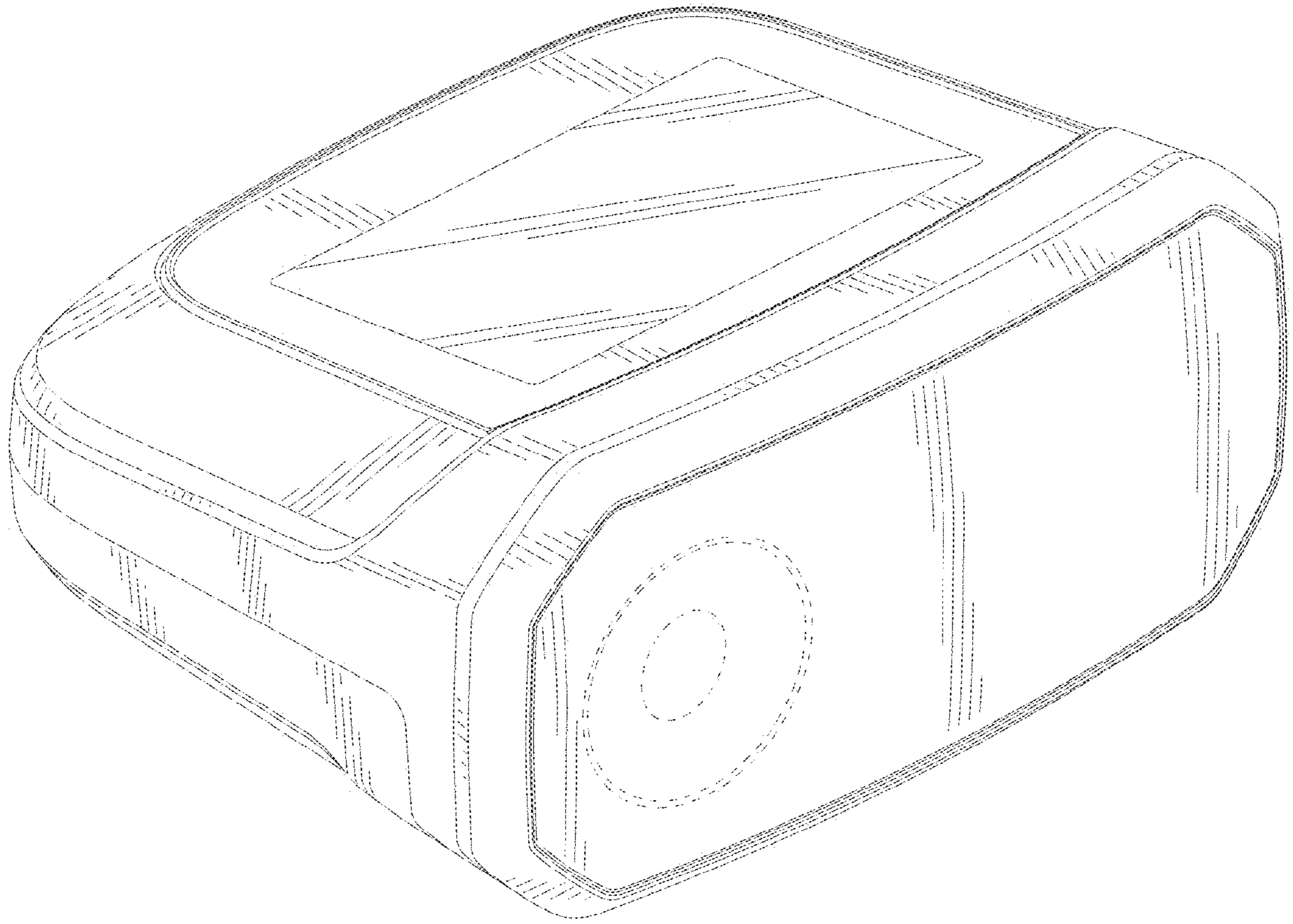


Fig. 1

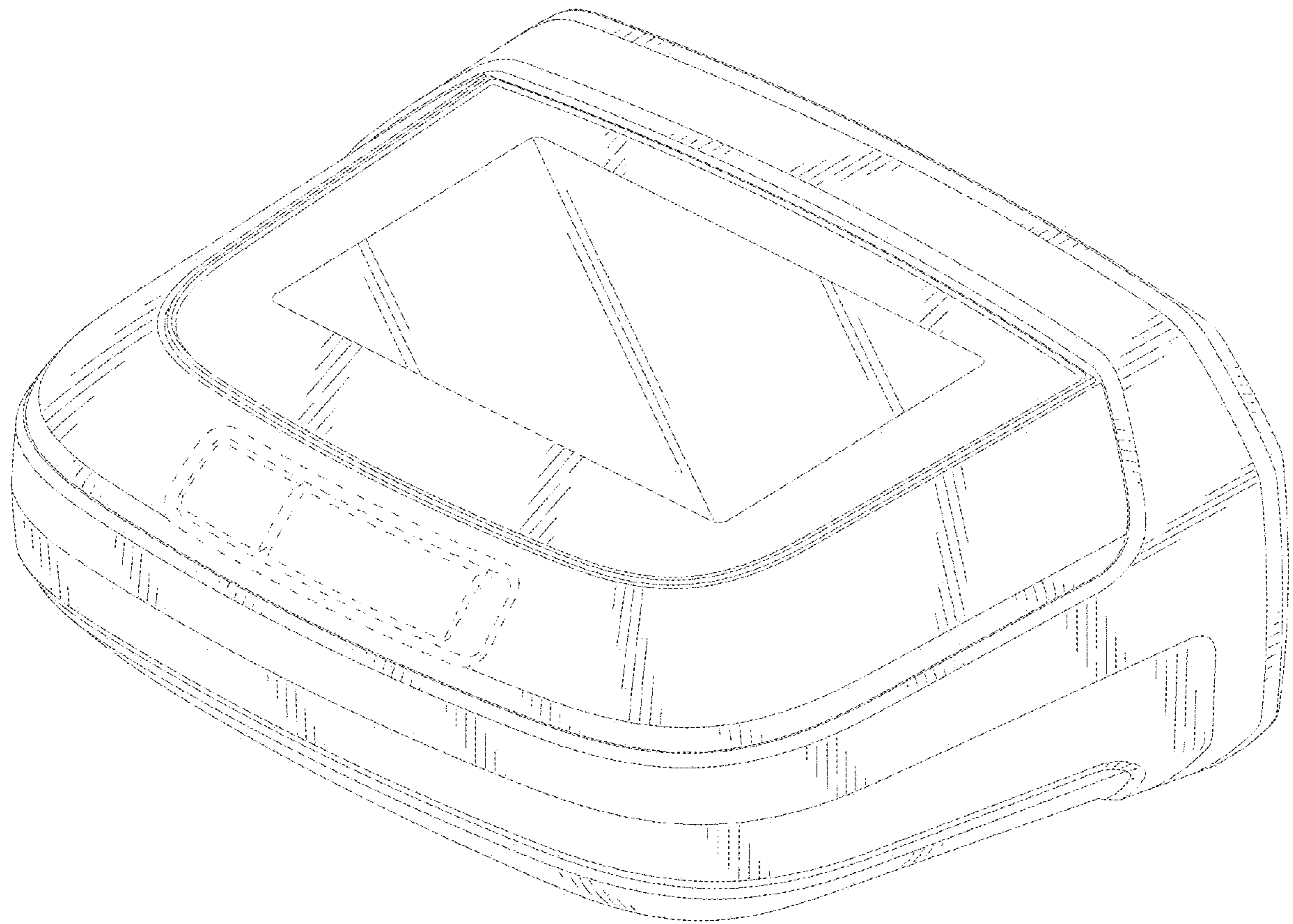


Fig. 2

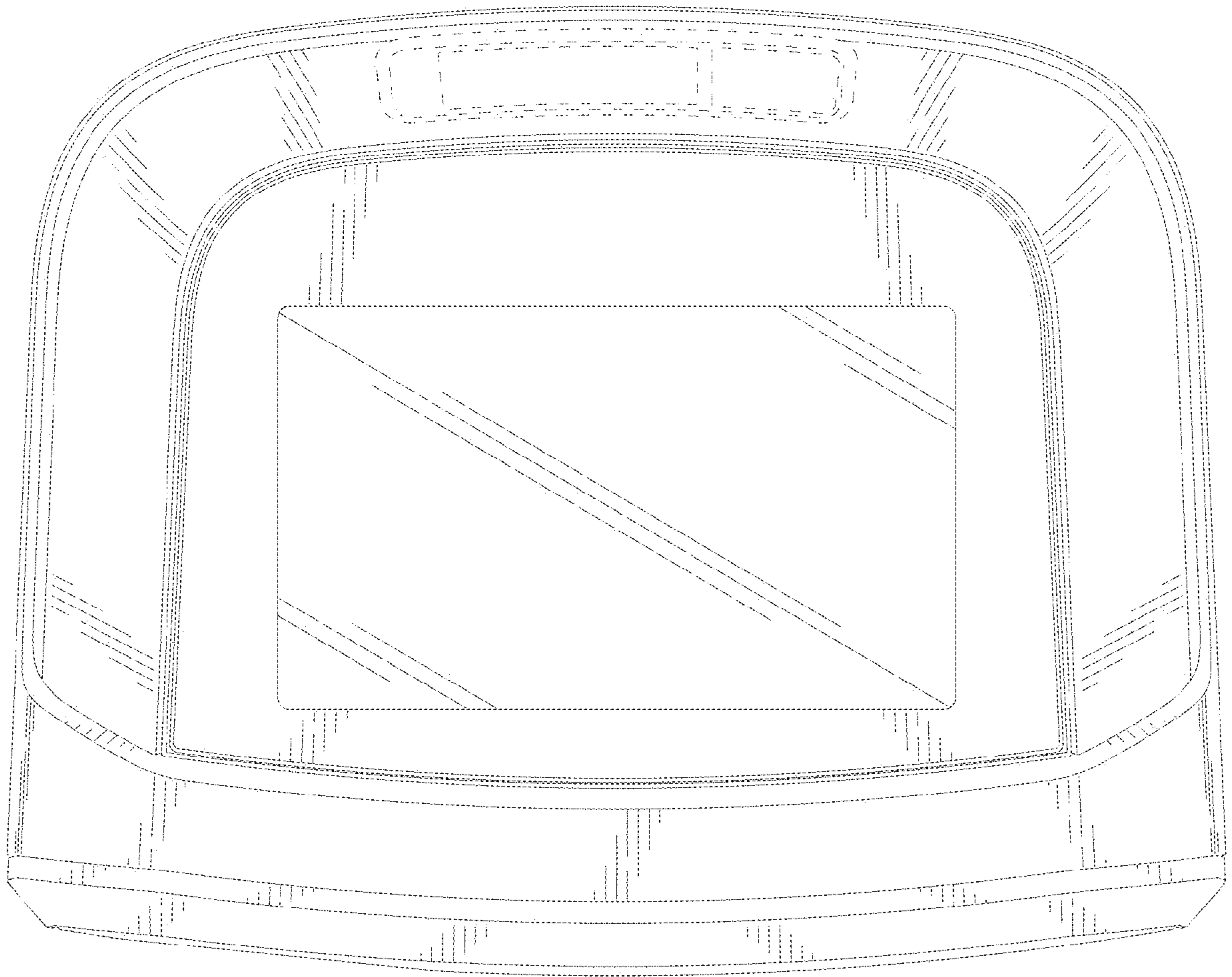


Fig. 3

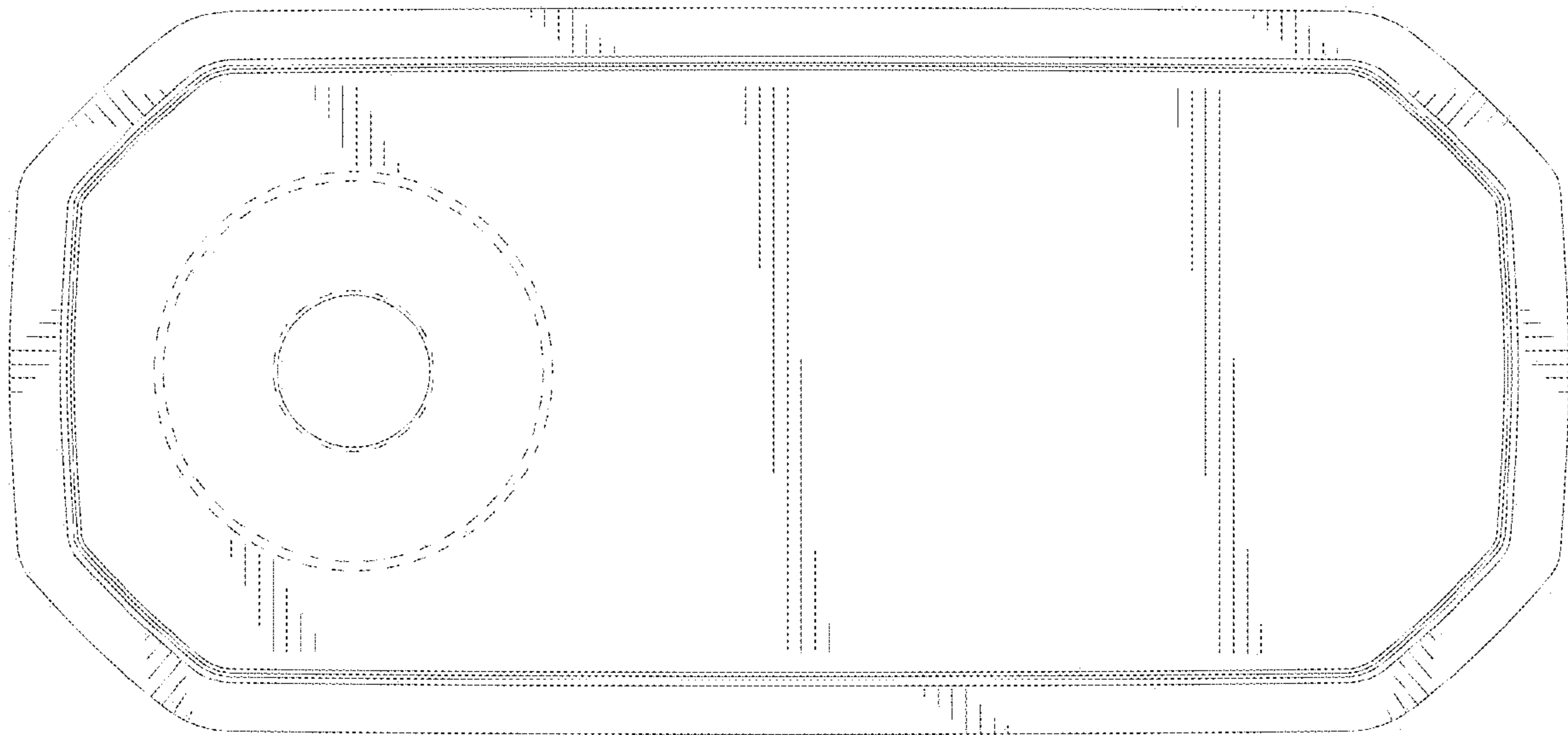


Fig. 4

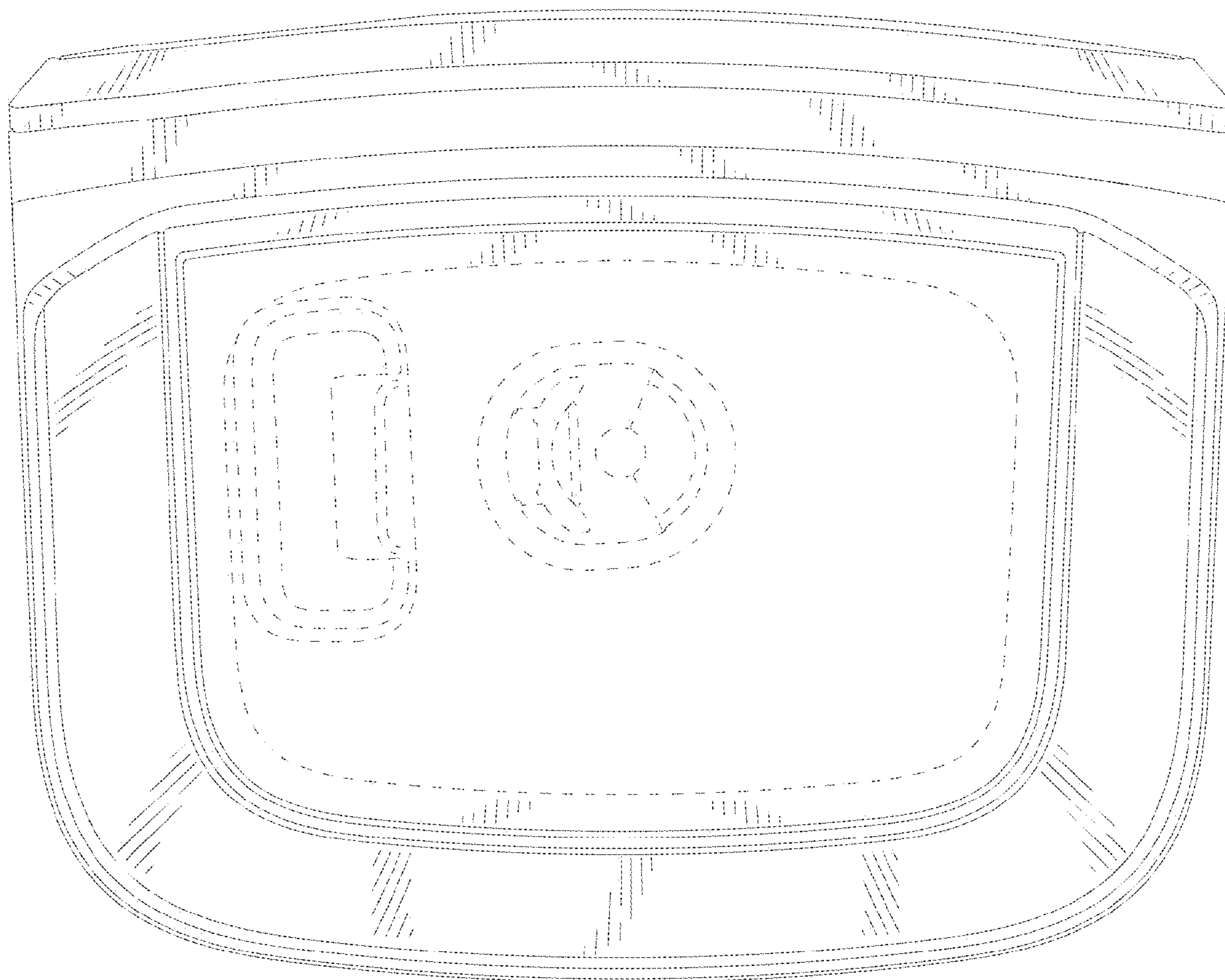


Fig. 5

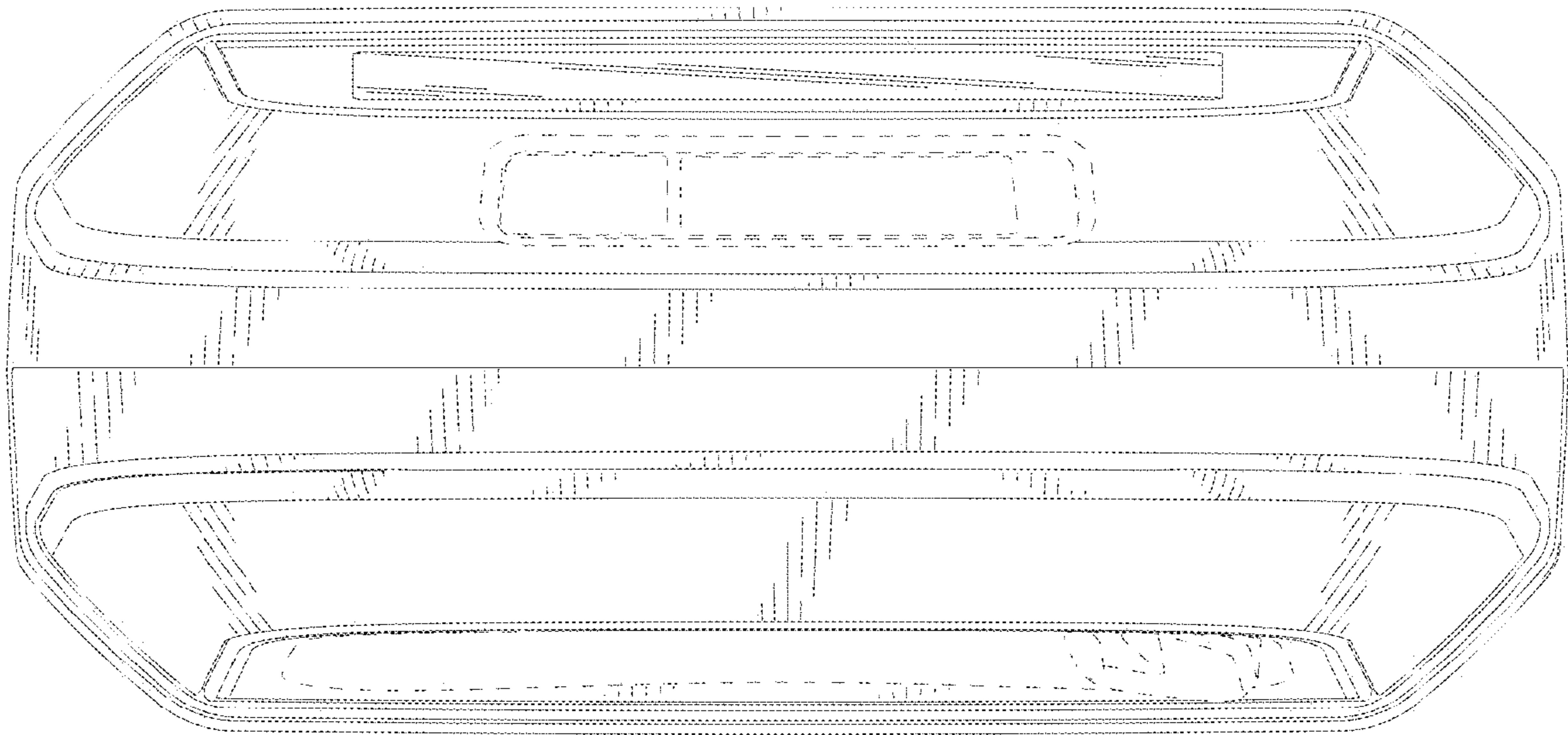


Fig. 6

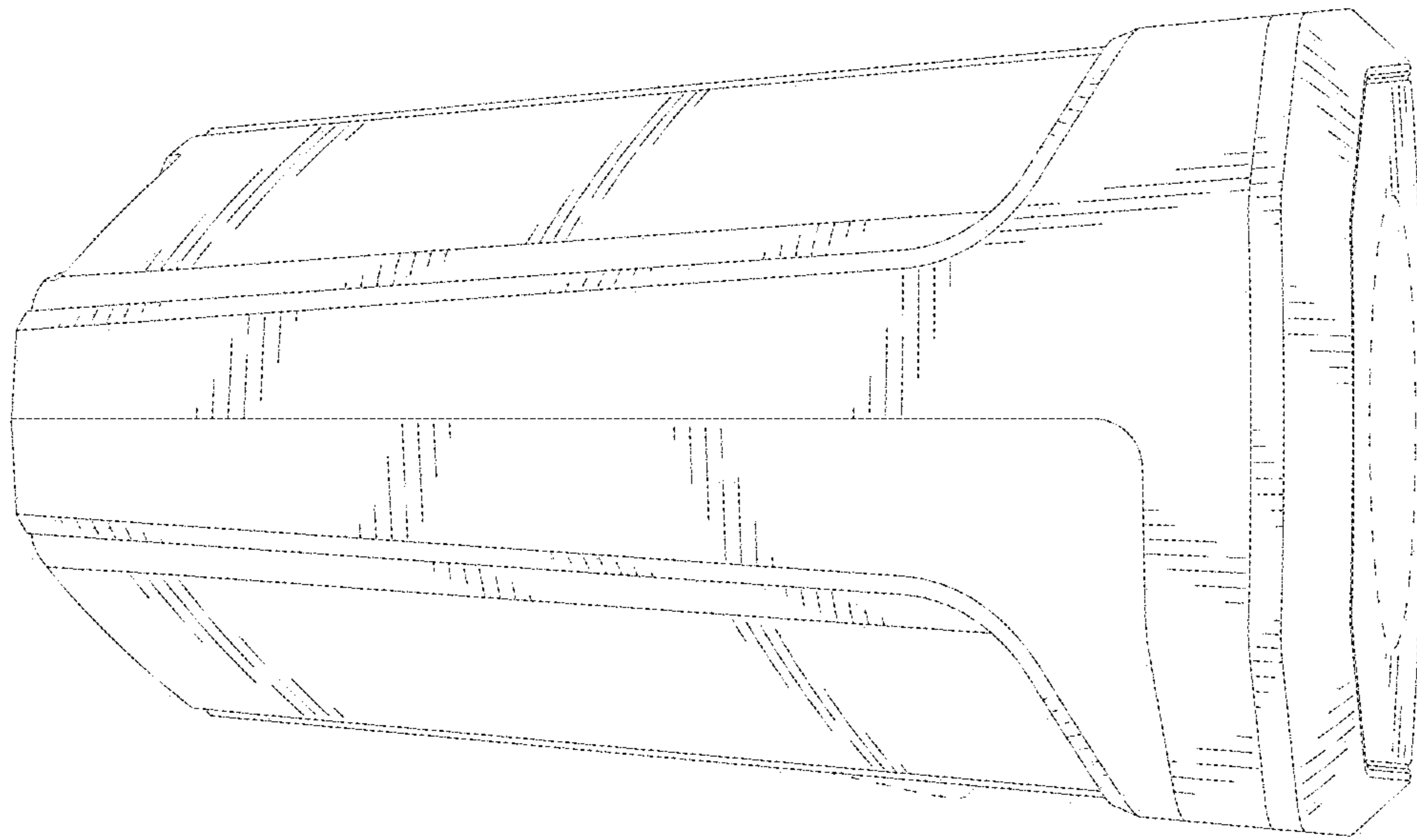


Fig. 7

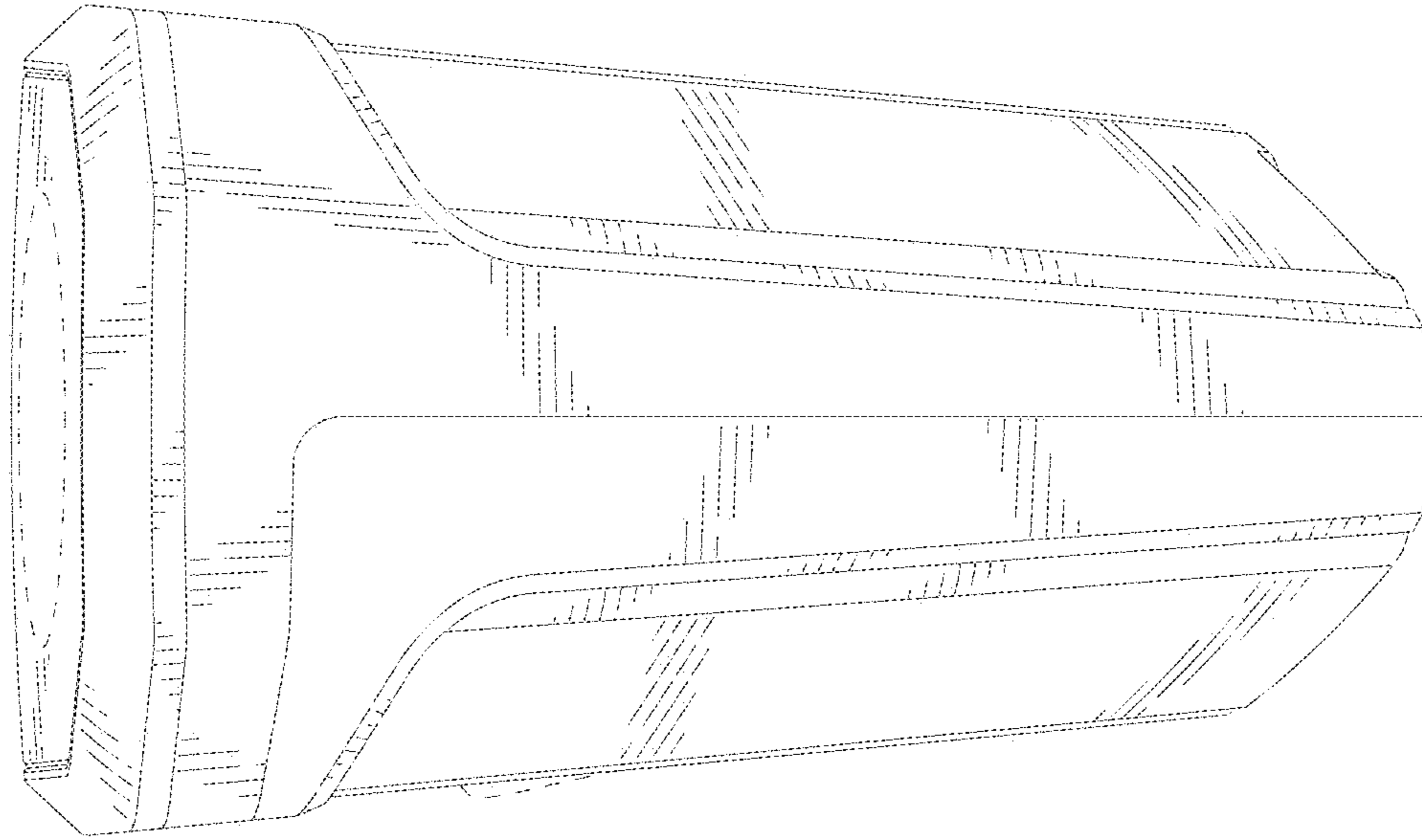


Fig. 8