



US00D935911S

(12) **United States Design Patent** (10) **Patent No.:** **US D935,911 S**
Ishii (45) **Date of Patent:** **** Nov. 16, 2021**

(54) **SURVEYING INSTRUMENT**

FOREIGN PATENT DOCUMENTS

(71) Applicant: **Topcon Corporation**, Tokyo (JP)

JP D1500402 * 6/2014

(72) Inventor: **Mitsuo Ishii**, Tokyo (JP)

OTHER PUBLICATIONS

(73) Assignee: **Topcon Corporation**, Tokyo (JP)

Topcon 432427 bim cat 7010 2170 revb cs6 uk low single https://paldistributors.co.za/wp-content/uploads/2018/11/topcon_432427_bim_cat_7010_2170_revb_cs6-uk-low-single.pdf Uploaded Nov. 2, 2018 (Year: 2018).*

(**) Term: **15 Years**

Topcon Layout Navigator LN150 YouTube <https://www.youtube.com/watch?v=PPUALiiSBNE> Posted Nov. 21, 2019 (Year: 2019).*

(21) Appl. No.: **29/715,876**

* cited by examiner

(22) Filed: **Dec. 5, 2019**

(30) **Foreign Application Priority Data**

Primary Examiner — Leanne Was-Englehart

Jun. 27, 2019 (EM) 006598850

(74) *Attorney, Agent, or Firm* — Muncy, Geissler, Olds & Lowe, P.C.

(51) **LOC (13) Cl.** **10-04**

(52) **U.S. Cl.**
USPC **D10/66**

(57) **CLAIM**

The ornamental design for surveying instrument, as shown and described.

(58) **Field of Classification Search**

DESCRIPTION

USPC D10/46, 61, 62, 65, 66, 69, 70, 75
CPC G01S 17/00; G01S 17/04; G01S 17/06;
G01S 17/42; G01S 17/89; G01C 1/00-14;
G01C 15/002; G01C 15/004; G01C
15/006; G01C 3/08; G02B 7/32; G01D
5/24438

FIG. 1 is a front elevational view of surveying instrument showing my new design,
FIG. 2 is a rear elevational view thereof;
FIG. 3 is a top plan view thereof;
FIG. 4 is a bottom plan view thereof;
FIG. 5 is a right side elevational view thereof;
FIG. 6 is a left side elevational view thereof;
FIG. 7 is a front, right, and top perspective view thereof;
FIG. 8 is a rear, right, and bottom perspective view thereof;
and,
FIG. 9 is a front, right, and top perspective view.

See application file for complete search history.

The broken lines shown in the drawings are for the purpose of illustrating environmental structure and form no part of the claimed design.

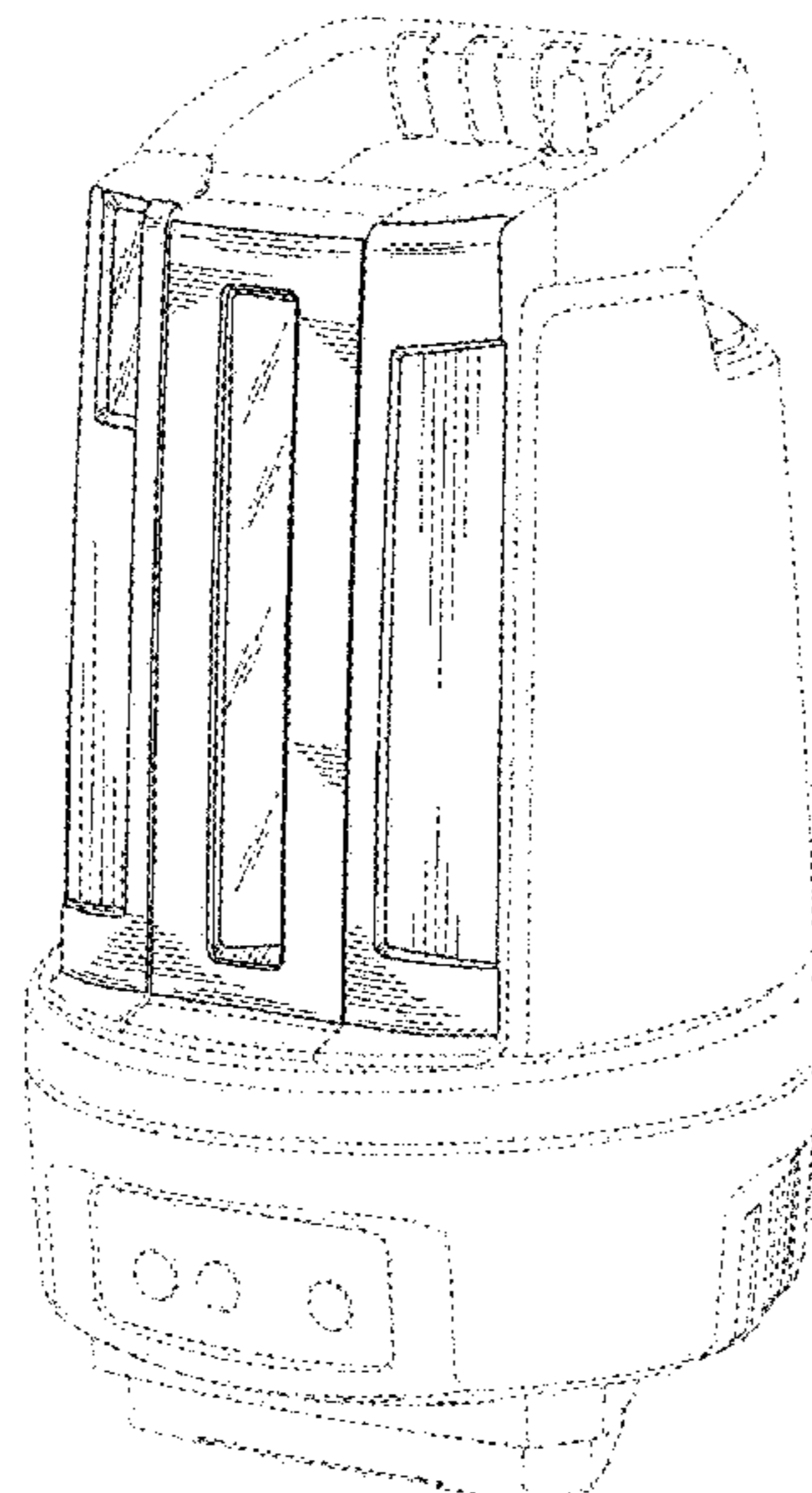
The diagonal line shading of two panels on the front side indicates translucency.

(56) **References Cited**

U.S. PATENT DOCUMENTS

D429,698 S * 8/2000 Ishii D13/162
D723,398 S * 3/2015 Ishii D10/66
10,184,794 B2 * 1/2019 Ishikawa G01C 15/004
D873,158 S * 1/2020 Wieser D10/66
D901,315 S * 11/2020 Mitsuo D10/66
2015/0052765 A1 * 2/2015 Kumagai G01C 15/002
33/290
2015/0052766 A1 * 2/2015 Chiba G01C 3/00
33/299

1 Claim, 9 Drawing Sheets



F I G. 1

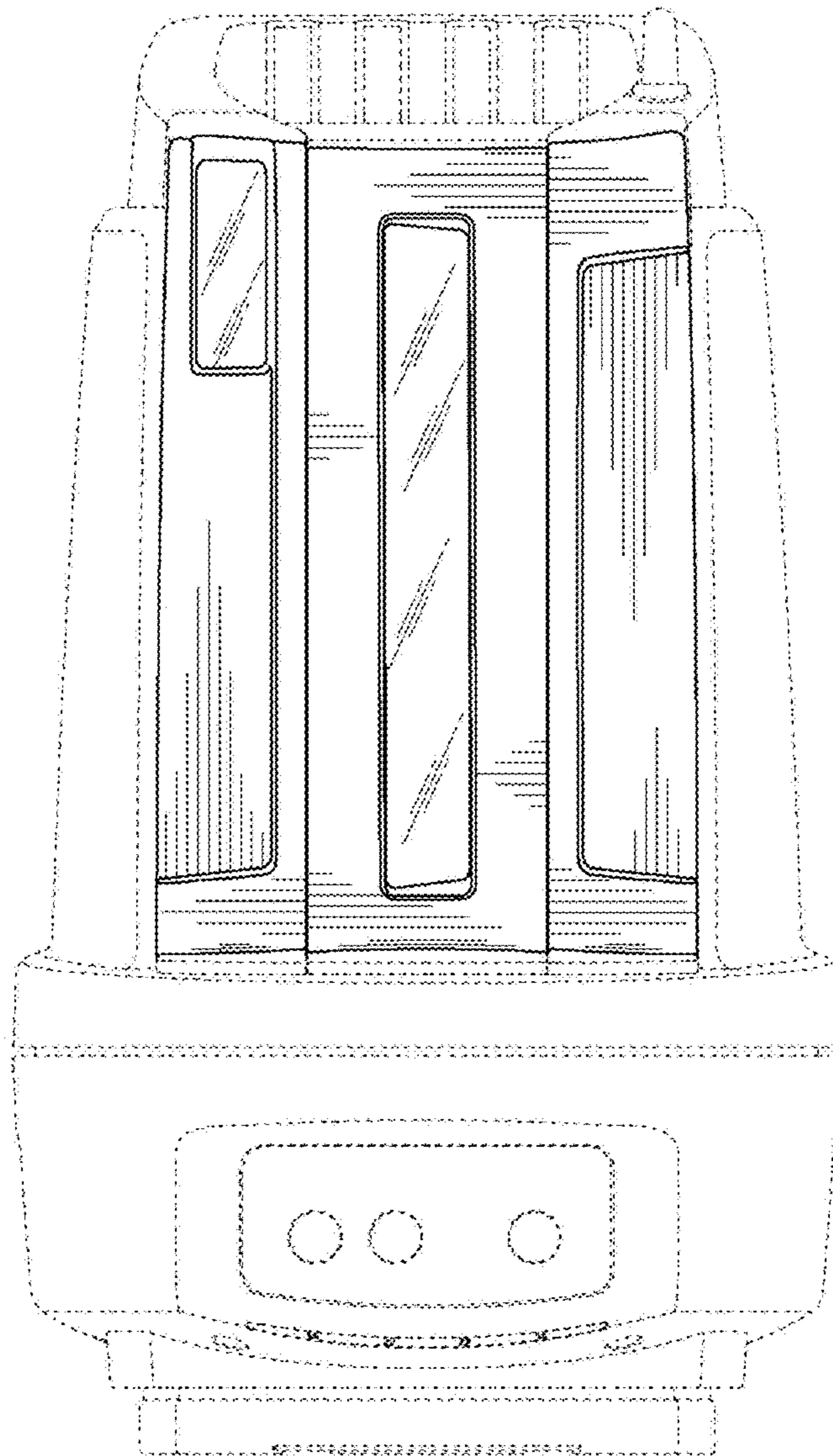


FIG. 2

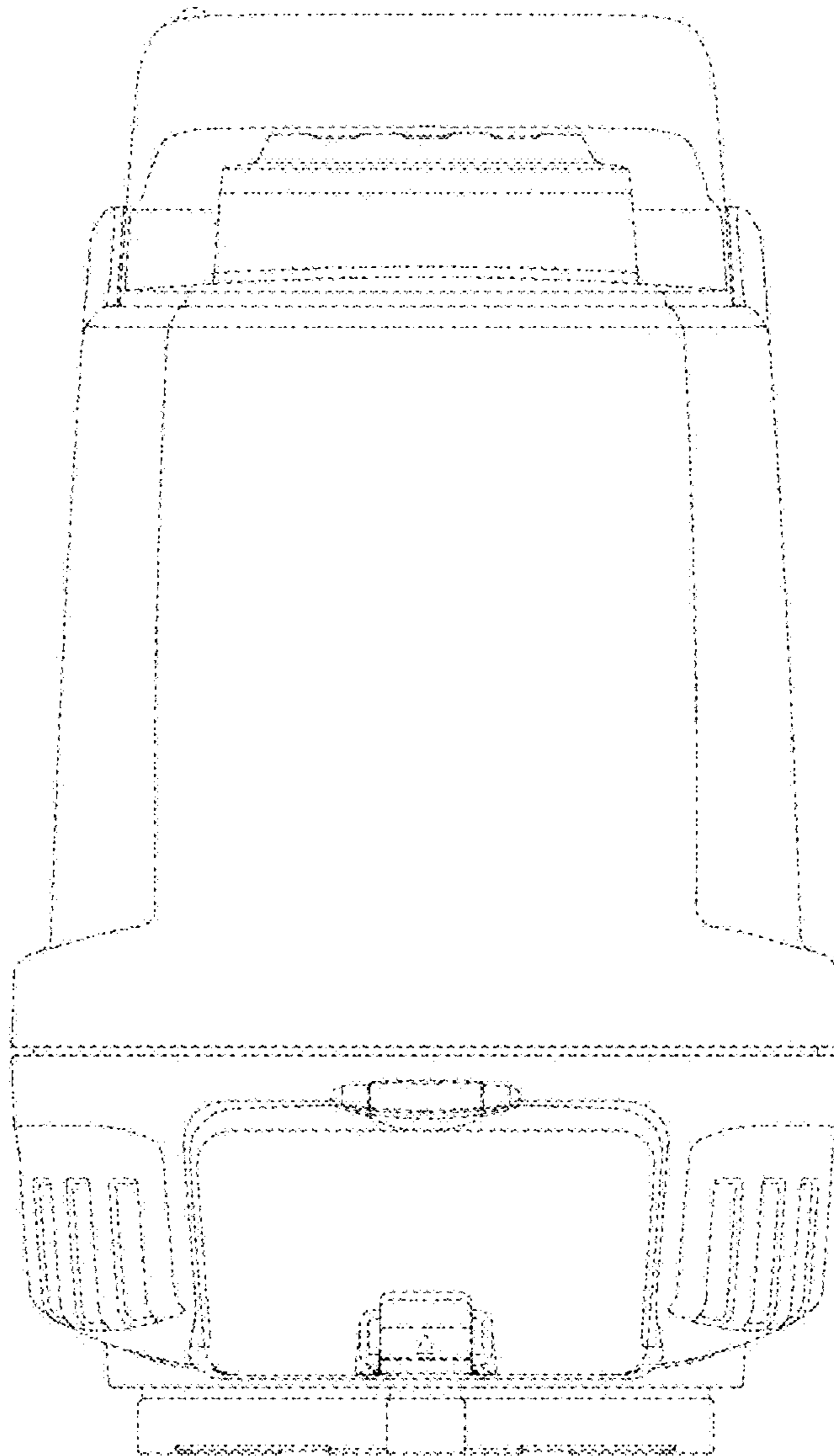


FIG. 3

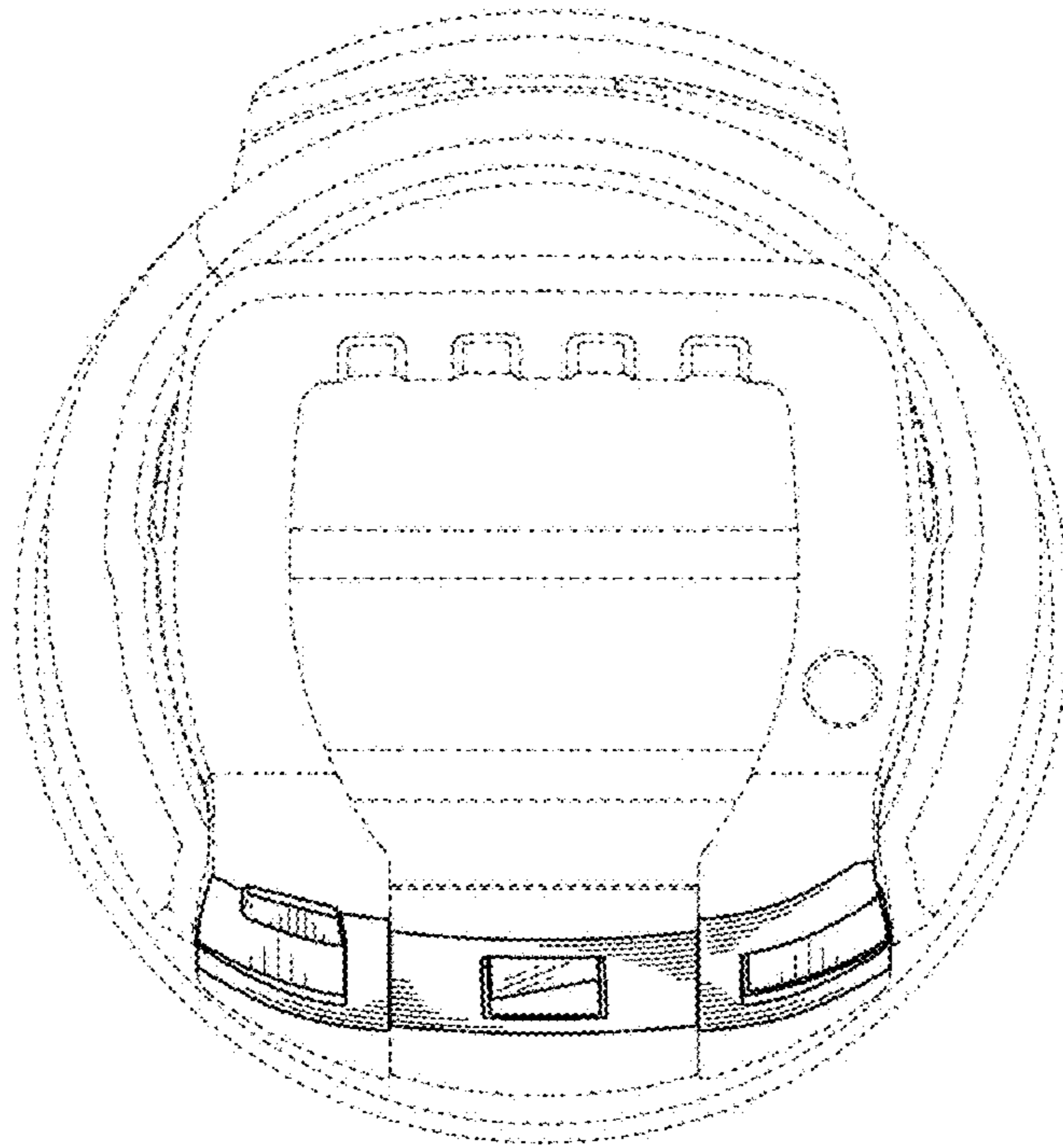
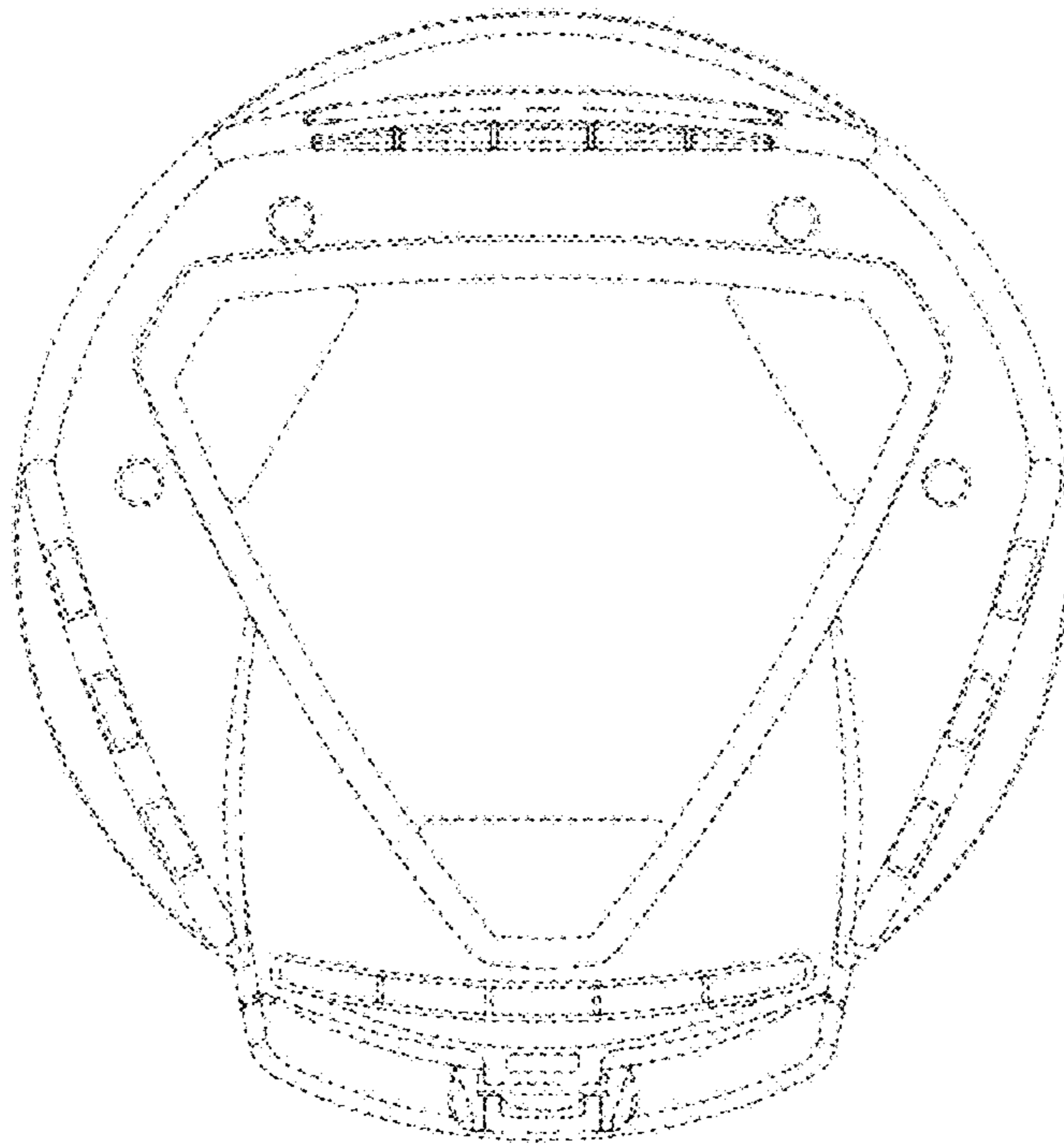
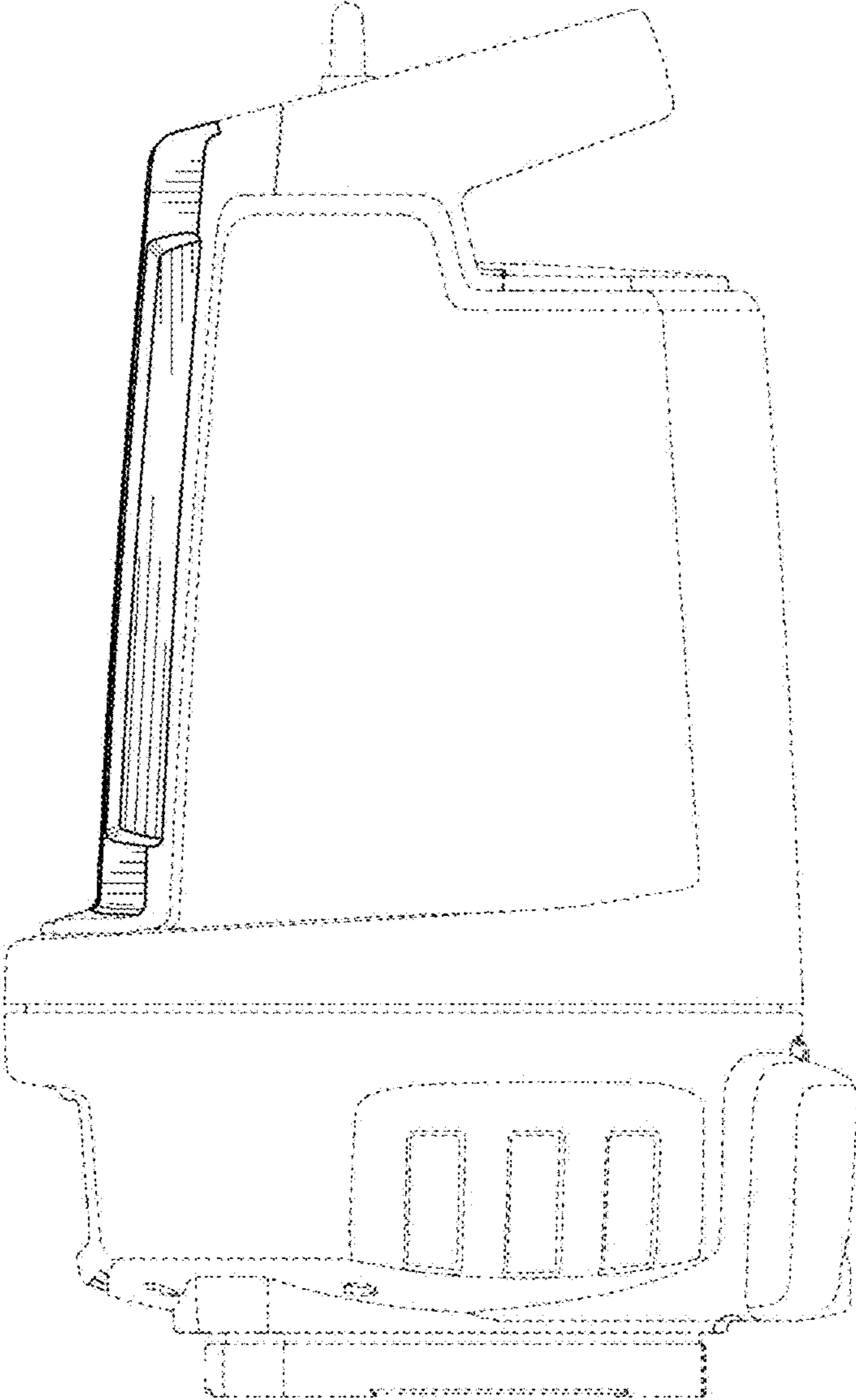


FIG. 4



F I G. 5



F I G. 6

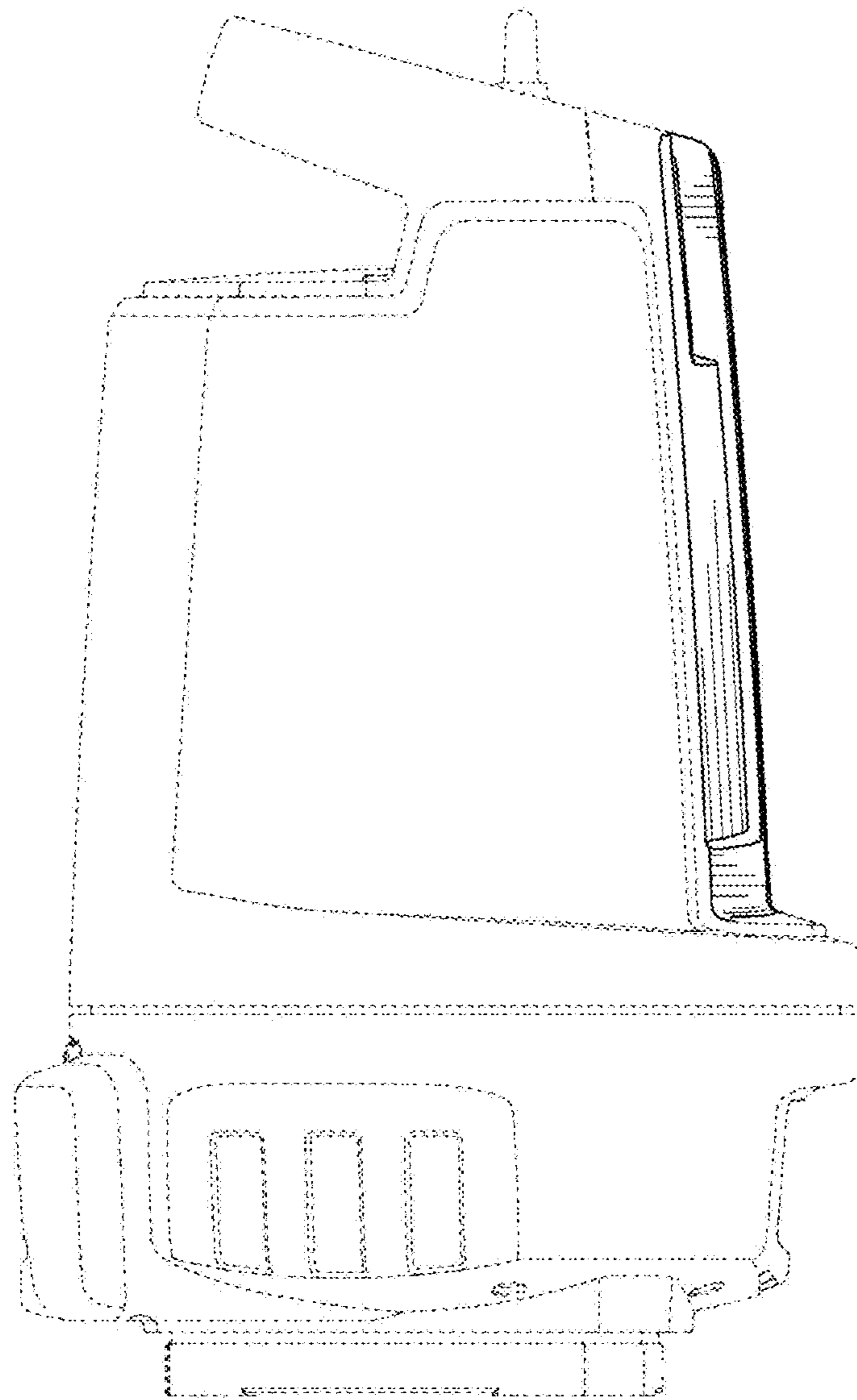


FIG. 7

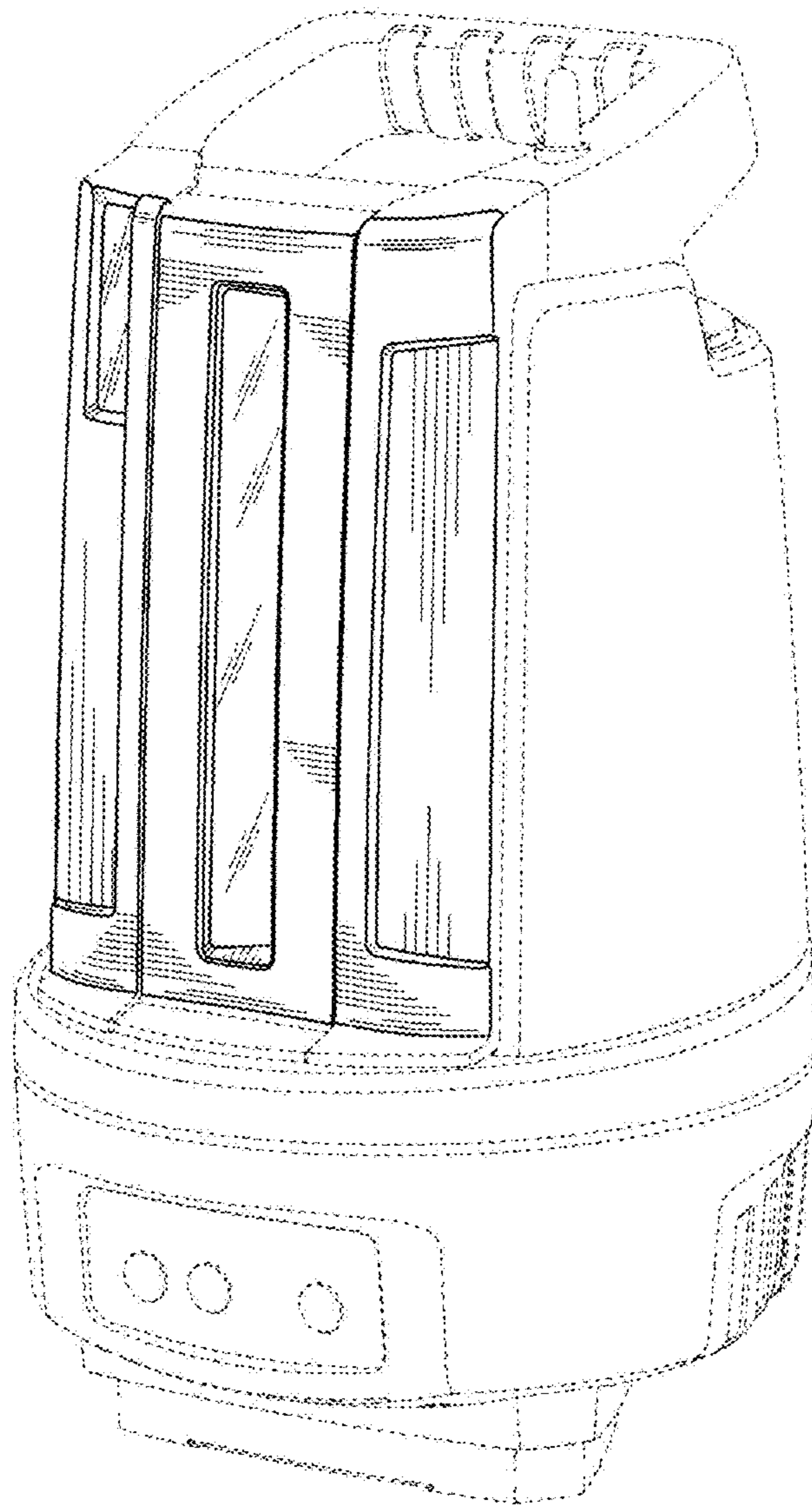
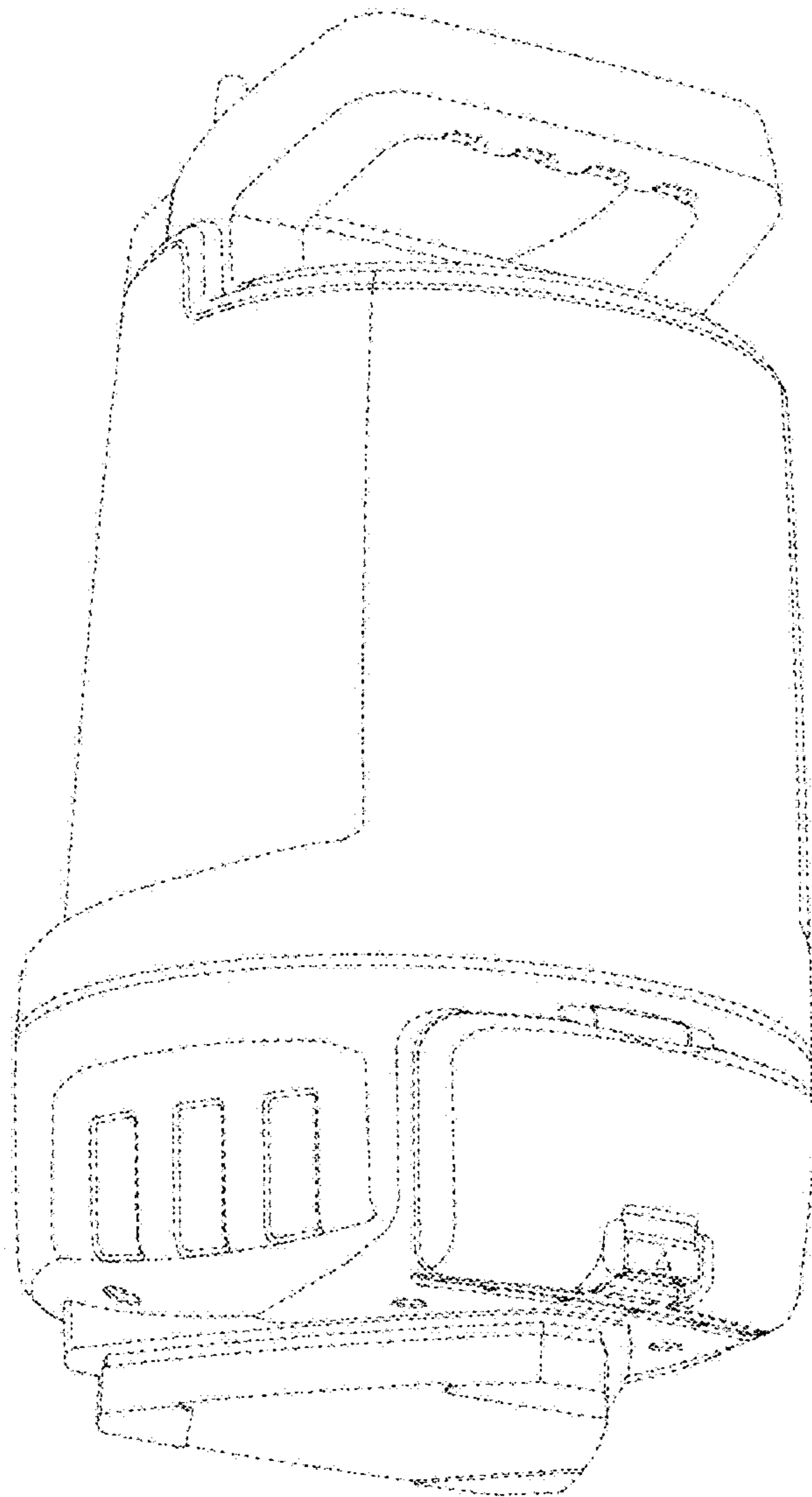


FIG. 8



F I G. 9

