



US00D935906S

(12) **United States Design Patent** (10) **Patent No.:** **US D935,906 S**
Matsubayashi et al. (45) **Date of Patent:** **** Nov. 16, 2021**

(54) **TEMPERATURE CONTROL DEVICE**

(71) Applicant: **SHINWA CONTROLS CO., LTD.**,
Kawasaki (JP)

(72) Inventors: **Shuya Matsubayashi**, Kawasaki (JP);
Kazushige Takahira, Kawasaki (JP)

(73) Assignee: **SHINWA CONTROLS CO., LTD.**

(**) Term: **15 Years**

(21) Appl. No.: **29/706,464**

(22) Filed: **Sep. 20, 2019**

(30) **Foreign Application Priority Data**

Jul. 24, 2019 (JP) 2019-016535

(51) **LOC (13) Cl.** **23-03**

(52) **U.S. Cl.**
USPC **D10/50**

(58) **Field of Classification Search**

USPC D10/46, 49, 50, 51, 52, 53; D13/123,
D13/133, 158, 162, 162.1, 163, 184;
D23/207

CPC G05D 23/1919; H02K 5/00; H05K 5/00;
H01H 2223/00; F25B 2600/00; F25B
49/022

See application file for complete search history.

(56) **References Cited**

U.S. PATENT DOCUMENTS

D357,056 S * 4/1995 Linton D23/200
D359,055 S * 6/1995 Drago D15/79
D489,276 S * 5/2004 Kido D10/125
D646,239 S * 10/2011 Chandler, Jr. D13/184
D680,009 S * 4/2013 Marmier D10/56
D762,496 S * 8/2016 Tanaka D10/50

D833,982 S * 11/2018 Vierjarvi D13/163
D854,499 S * 7/2019 Lilja D13/123
10,656,110 B2 * 5/2020 Higashida F25B 41/20
D894,133 S * 8/2020 Brenk D13/158
2013/0147328 A1 * 6/2013 Laye H02B 13/02
312/223.6
2020/0174066 A1 * 6/2020 Kobayashi H01L 21/67109

FOREIGN PATENT DOCUMENTS

CN 305052669 * 3/2019
JP D1553618 * 7/2016
JP D1573590 * 4/2017
KR 300721215.0000 * 12/2013
KR 300561659.0001 * 12/2014

* cited by examiner

Primary Examiner — Leanne Was-Englehart

(74) *Attorney, Agent, or Firm* — Saidman DesignLaw
Group, L.L.C

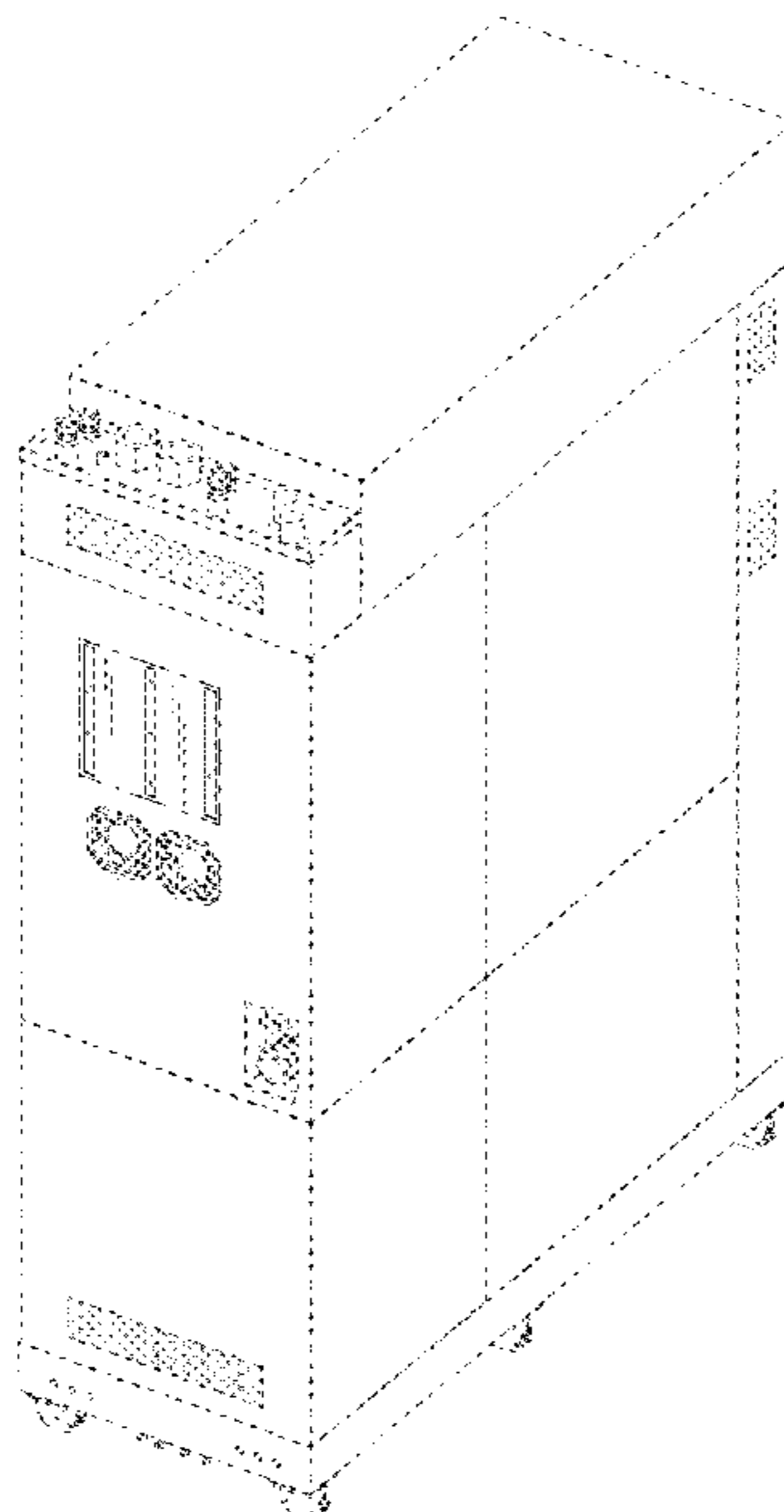
(57) **CLAIM**

The ornamental design for a temperature control device, as
shown and described.

DESCRIPTION

FIG. 1 is a rear perspective view of a temperature control
device showing our new design;
FIG. 2 is a front view thereof;
FIG. 3 is a rear view thereof;
FIG. 4 is a left side view thereof;
FIG. 5 is a right side view thereof;
FIG. 6 is a top view thereof;
FIG. 7 is a bottom view thereof; and,
FIG. 8 is an enlarged view of FIG. 3 thereof.
The dashed broken lines illustrate structure or features
which form no part of the claimed design.
The dot-dash broken lines illustrate an unclaimed boundary.
The dot-dot-dash broken lines identify an area of enlarge-
ment.

1 Claim, 8 Drawing Sheets



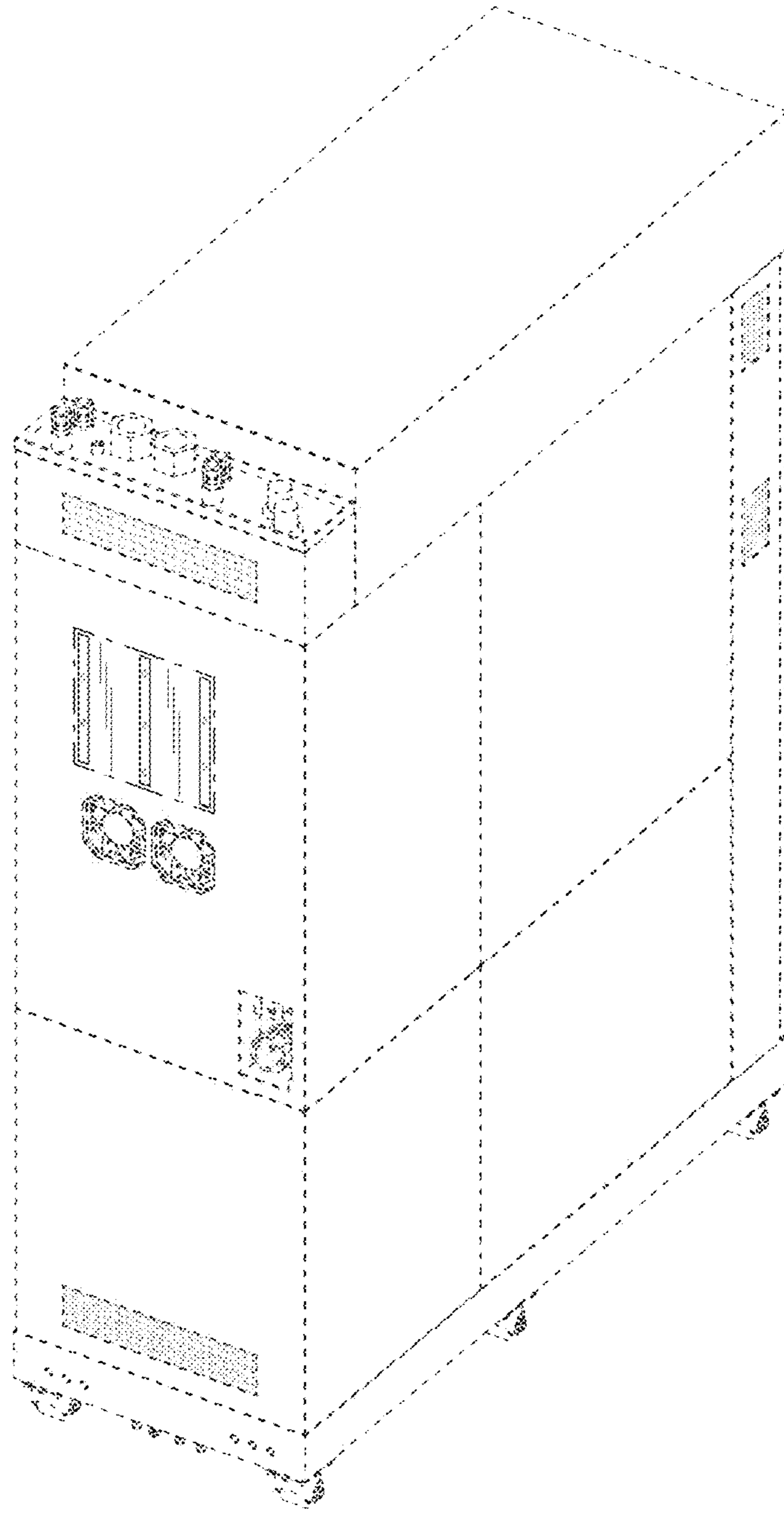


FIG. 1

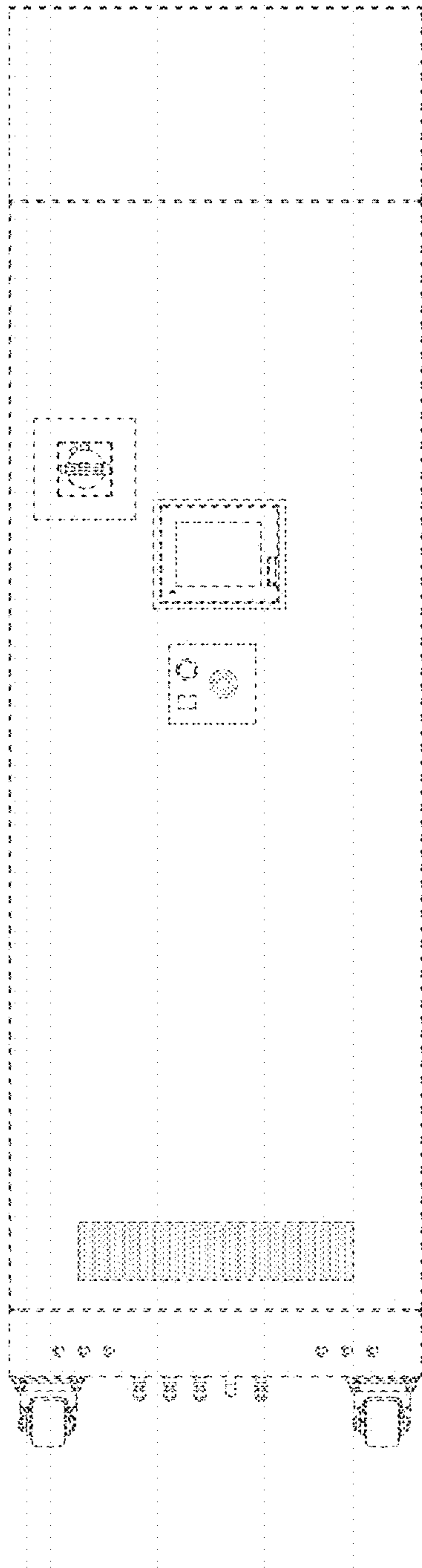


FIG. 2

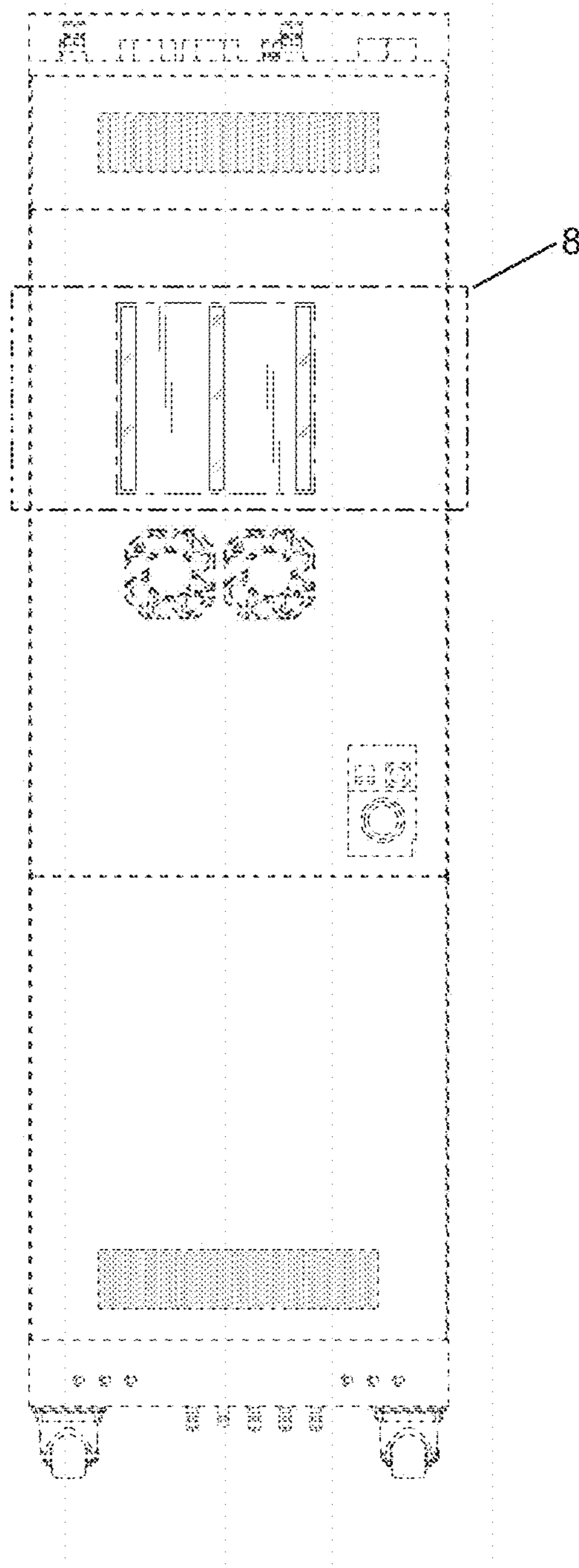


FIG. 3

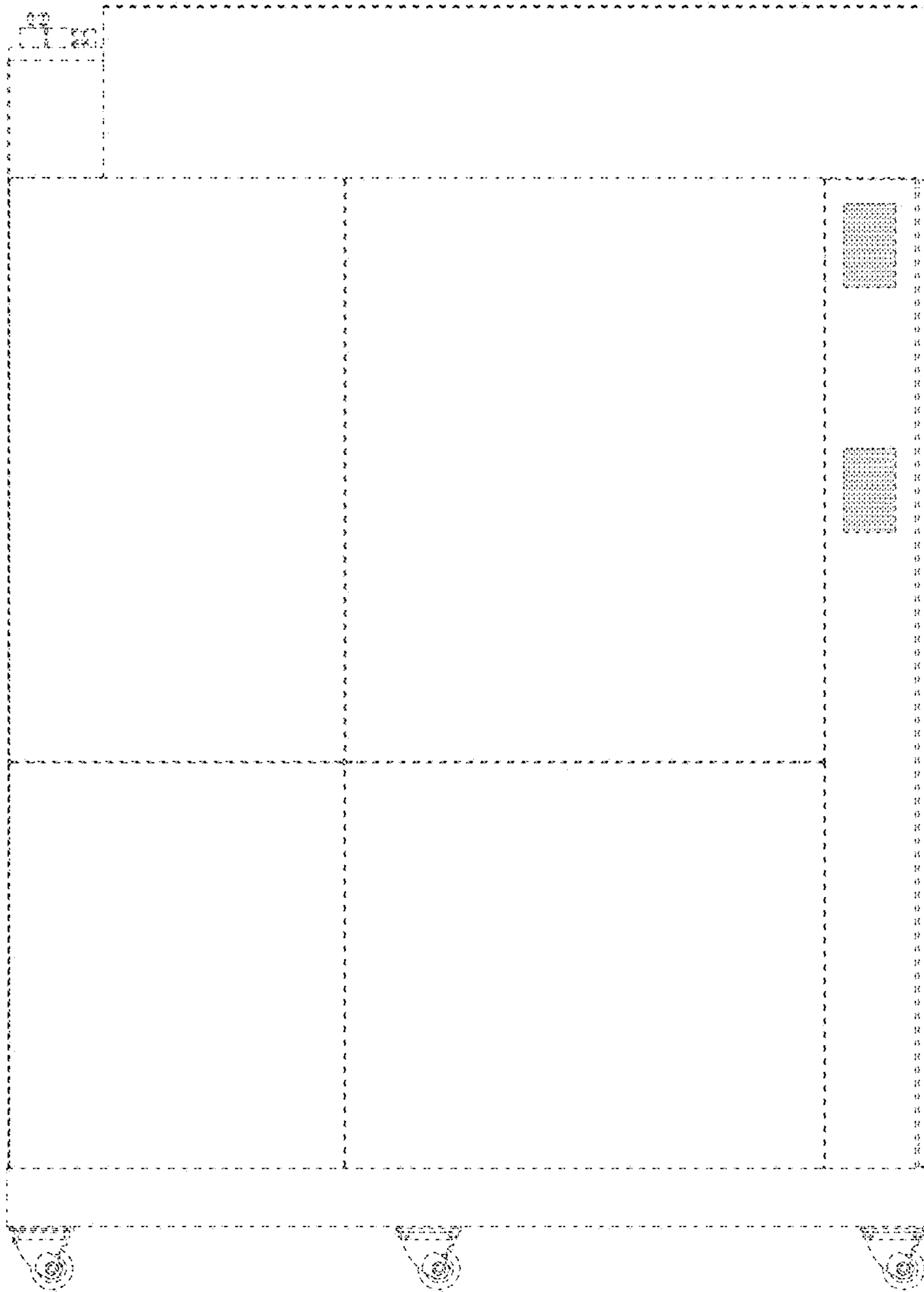


FIG. 4

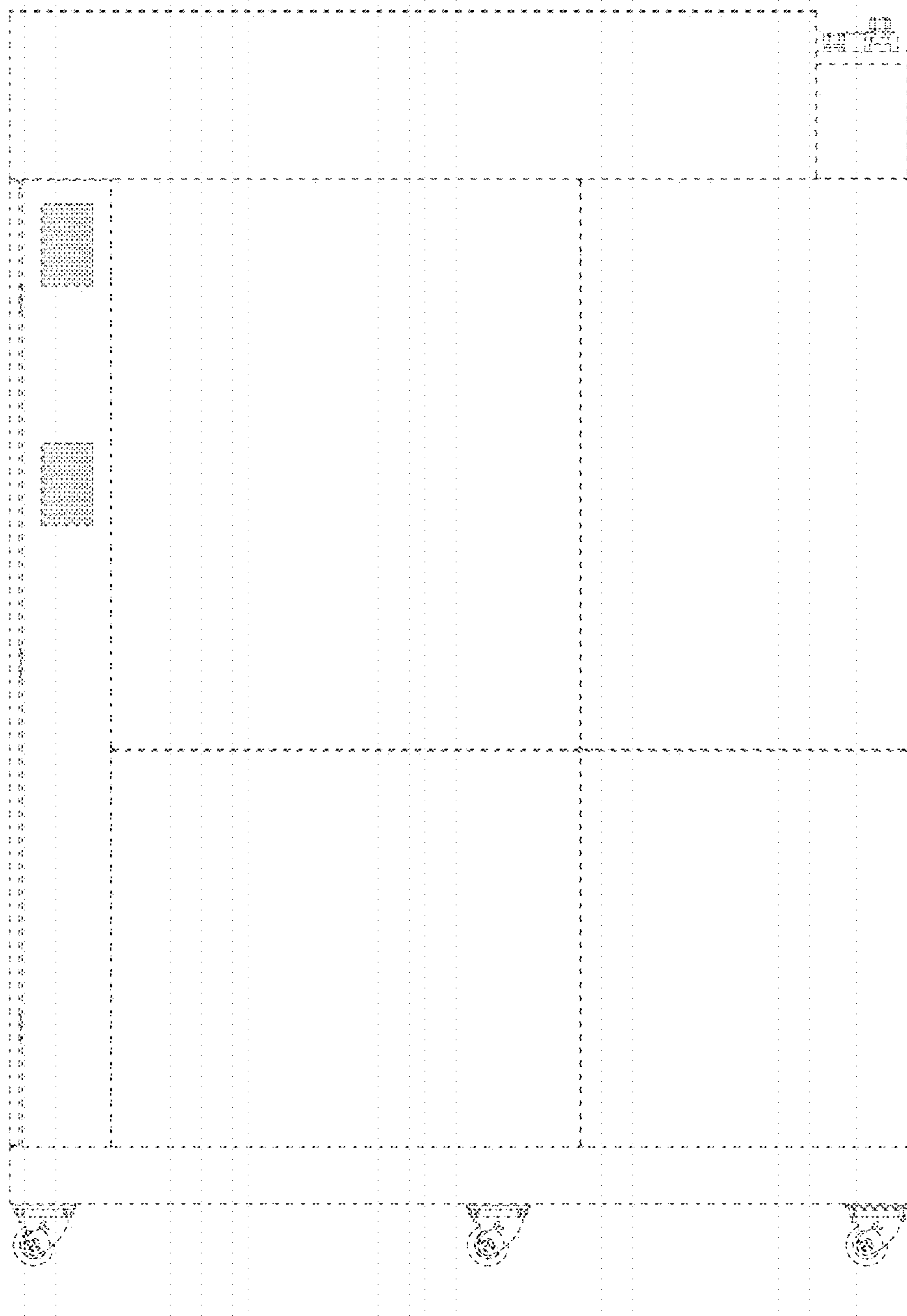


FIG. 5

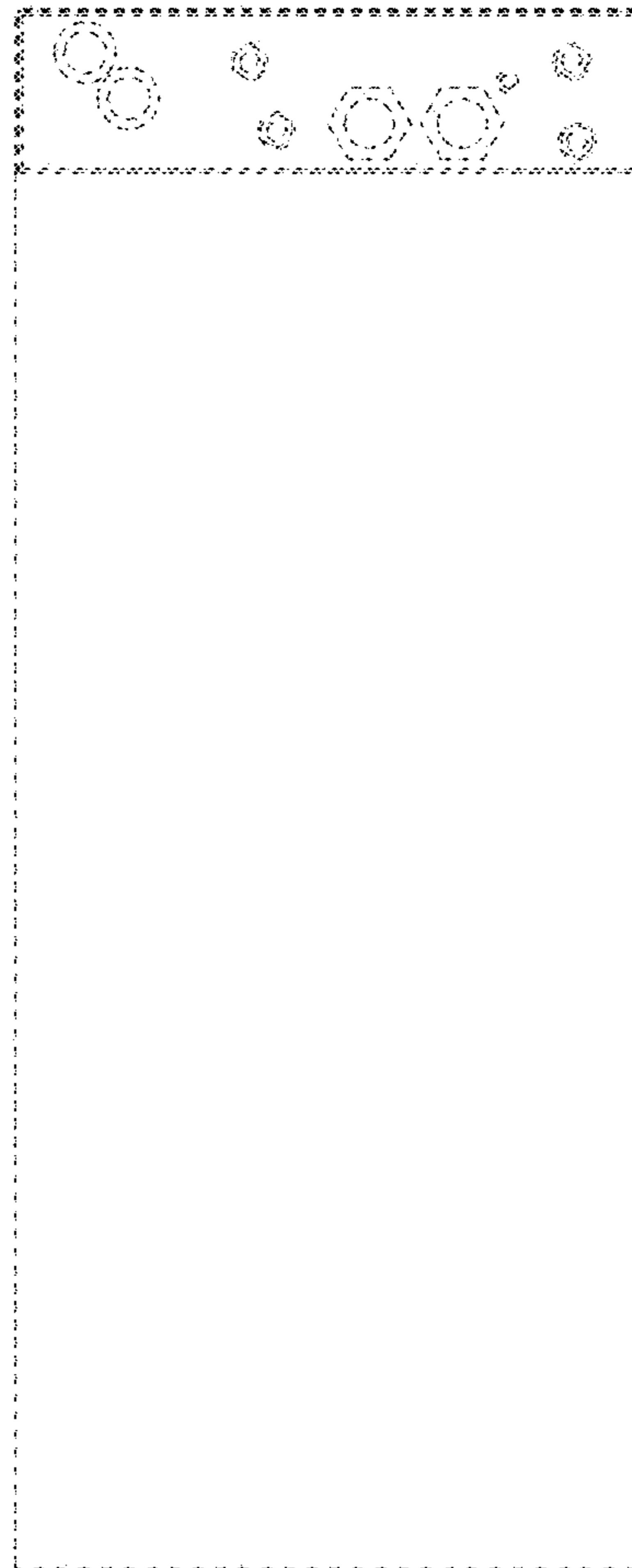


FIG. 6

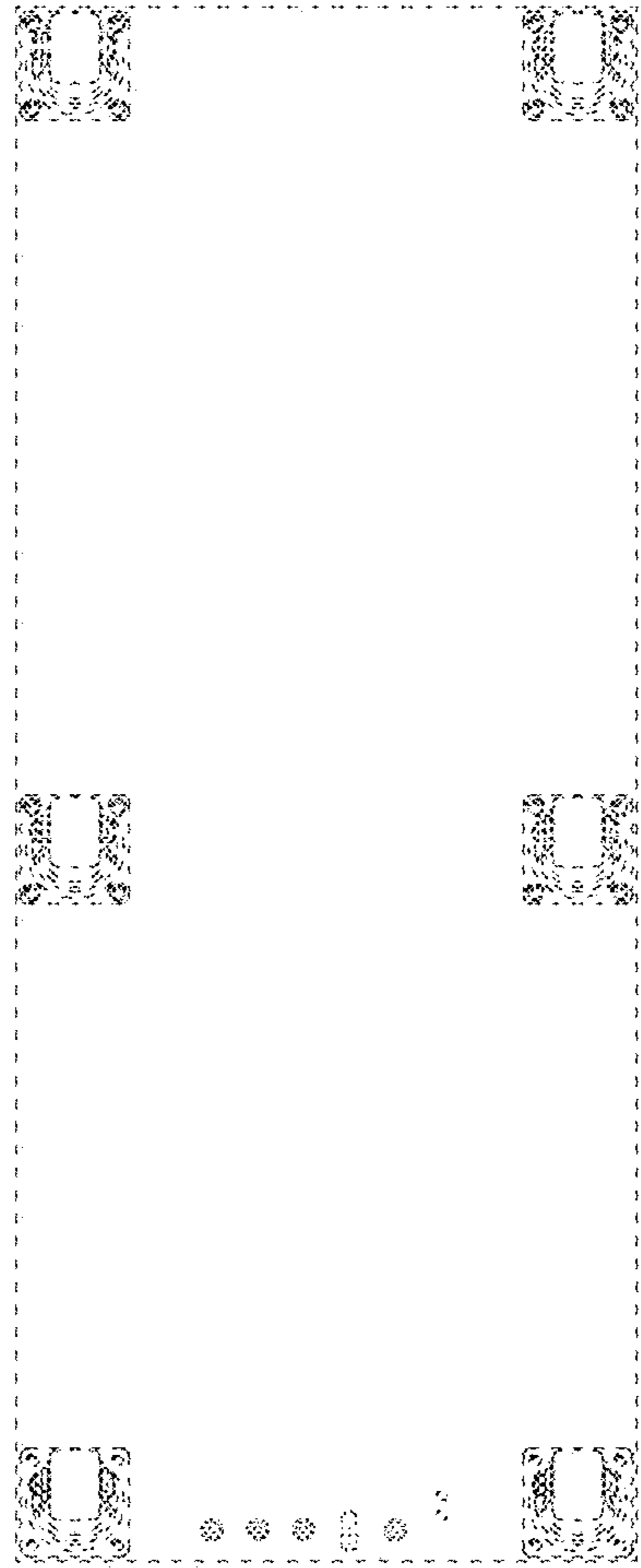


FIG. 7

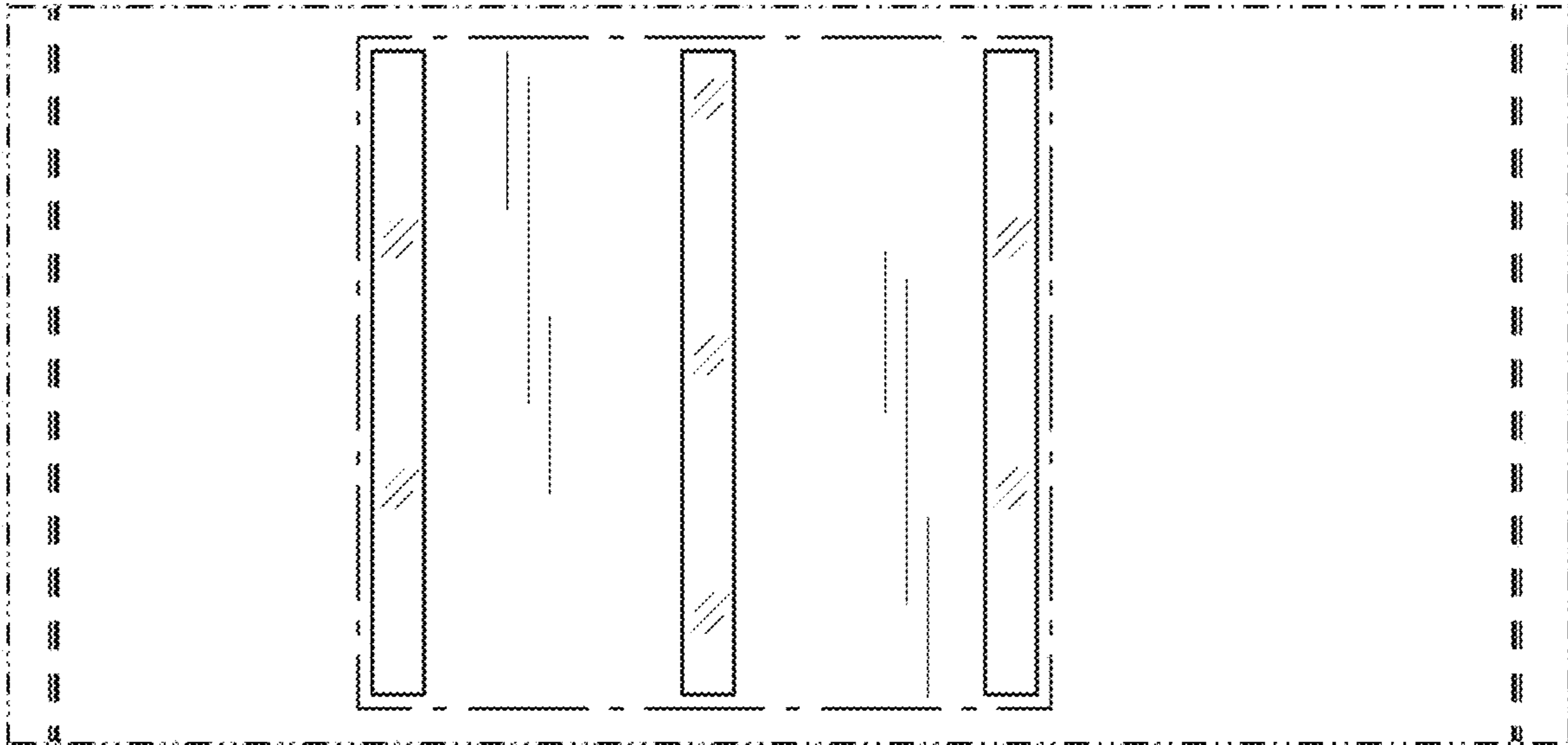


FIG. 8