



US00D935905S

(12) **United States Design Patent** (10) **Patent No.:** **US D935,905 S**  
**Matsubayashi et al.** (45) **Date of Patent:** **\*\* Nov. 16, 2021**

(54) **TEMPERATURE CONTROL DEVICE**  
(71) Applicant: **SHINWA CONTROLS CO., LTD.**,  
Kawasaki (JP)  
(72) Inventors: **Shuya Matsubayashi**, Kawasaki (JP);  
**Kazushige Takahira**, Kawasaki (JP)  
(73) Assignee: **SHINWA CONTROLS CO., LTD.**  
(\*\*) Term: **15 Years**  
(21) Appl. No.: **29/706,462**  
(22) Filed: **Sep. 20, 2019**

D854,499 S \* 7/2019 Lilja ..... D13/123  
10,656,110 B2 \* 5/2020 Higashida ..... F25B 41/20  
D894,133 S \* 8/2020 Brenk ..... D13/158  
2013/0147328 A1 \* 6/2013 Laye ..... H02B 13/02  
312/223.6  
2020/0174066 A1 \* 6/2020 Kobayashi ..... H01L 21/67109

**FOREIGN PATENT DOCUMENTS**

CN 305052669 \* 3/2019  
JP D1553618 \* 7/2016  
JP D1573590 \* 4/2017  
KR 300721215.0000 \* 12/2013  
KR 300561659.0001 \* 12/2014

\* cited by examiner

*Primary Examiner* — Leanne Was-Englehart  
(74) *Attorney, Agent, or Firm* — Saidman DesignLaw  
Group, LLC

(30) **Foreign Application Priority Data**  
Jul. 24, 2019 (JP) ..... 2019-016534  
(51) **LOC (13) Cl.** ..... **23-03**  
(52) **U.S. Cl.**  
USPC ..... **D10/50**  
(58) **Field of Classification Search**  
USPC ..... D10/46, 49, 50, 51, 52, 53; D13/123,  
D13/133, 158, 162, 162.1, 163, 184;  
D23/207  
CPC ..... F25B 49/022; F25B 2600/00; G05D  
23/1919; H02K 5/00; H05K 5/00; H01H  
2223/00  
See application file for complete search history.

(57) **CLAIM**

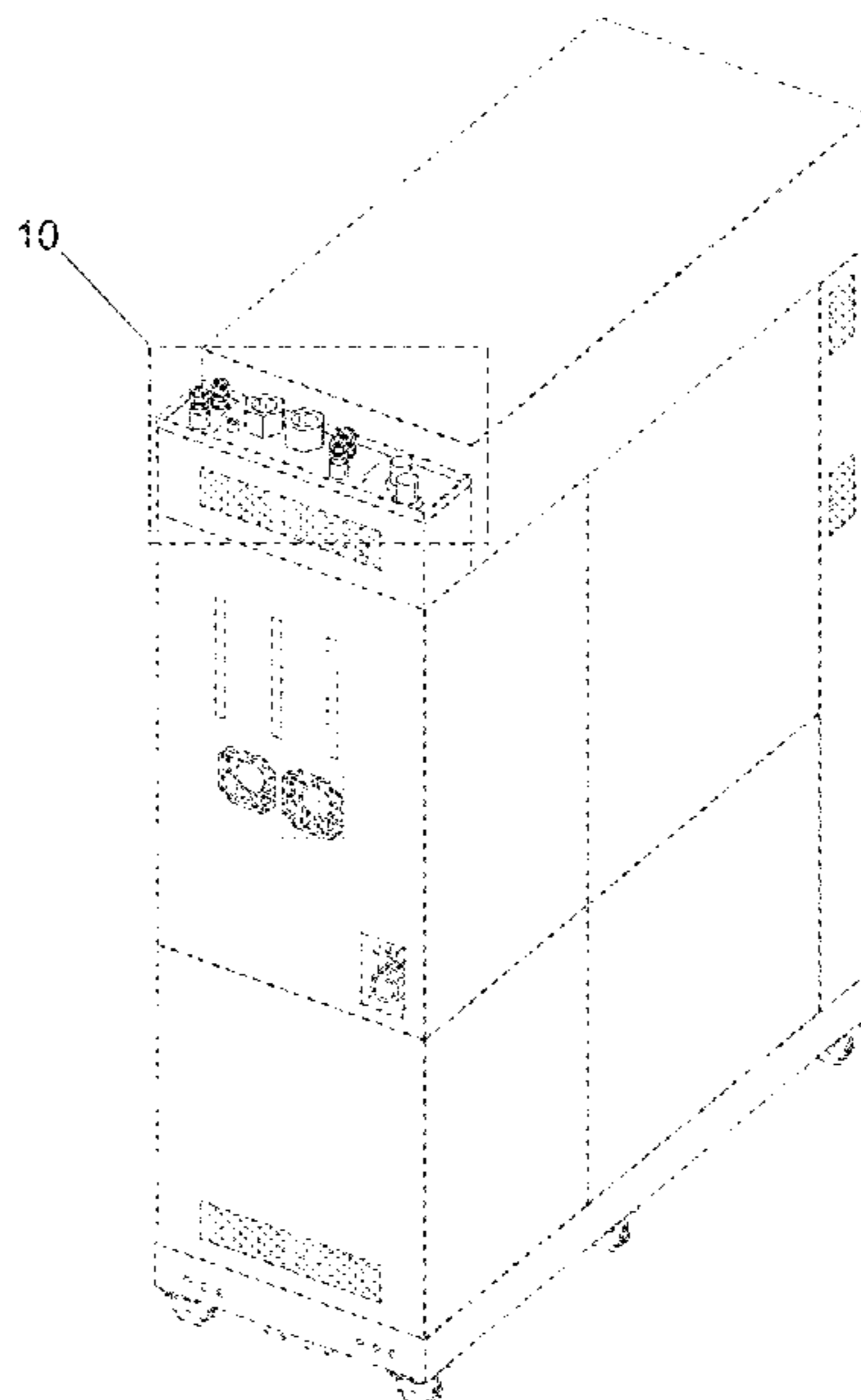
The ornamental design for a temperature control device, as shown and described.

**DESCRIPTION**

FIG. 1 is a front perspective view of a temperature control device showing our new design;  
FIG. 2 is a rear perspective view thereof;  
FIG. 3 is a top perspective view thereof;  
FIG. 4 is a front view thereof;  
FIG. 5 is a rear view thereof;  
FIG. 6 is a left side view thereof;  
FIG. 7 is a right side view thereof;  
FIG. 8 is a top view thereof;  
FIG. 9 is a bottom view thereof;  
FIG. 10 is an enlarged view of FIG. 2 thereof; and,  
FIG. 11 is an enlarged view of FIG. 3 thereof.  
The dashed broken lines illustrate structure or features which form no part of the claimed design.  
The dot-dash broken lines identify areas of enlargement.

(56) **References Cited**  
U.S. PATENT DOCUMENTS  
D357,056 S \* 4/1995 Linton ..... D23/200  
D359,055 S \* 6/1995 Drago ..... D15/79  
D489,276 S \* 5/2004 Kido ..... D10/125  
D646,239 S \* 10/2011 Chandler, Jr. .... D13/184  
D680,009 S \* 4/2013 Marmier ..... D10/56  
D762,496 S \* 8/2016 Tanaka ..... D10/50  
D833,982 S \* 11/2018 Vierjarvi ..... D13/163

**1 Claim, 11 Drawing Sheets**



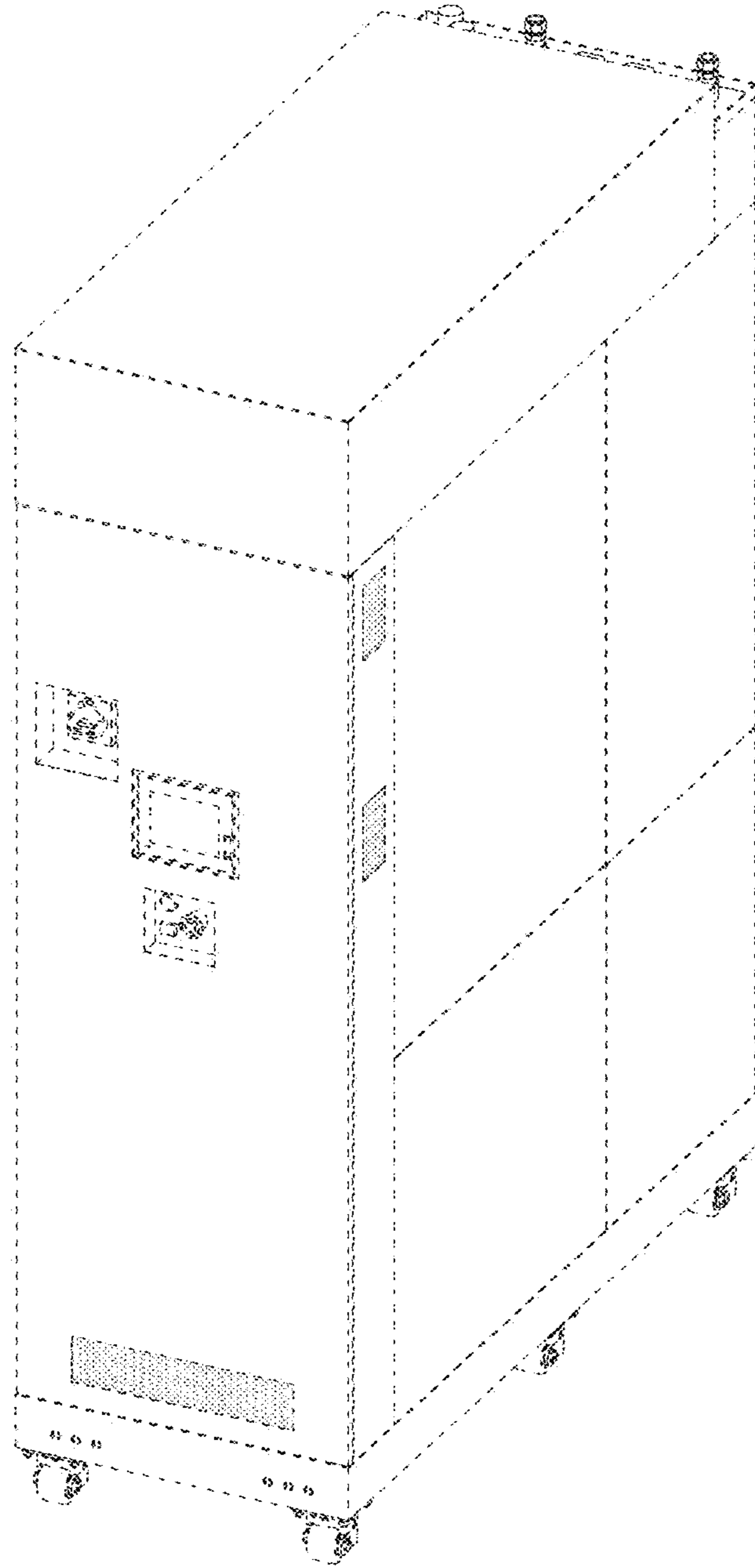


FIG. 1

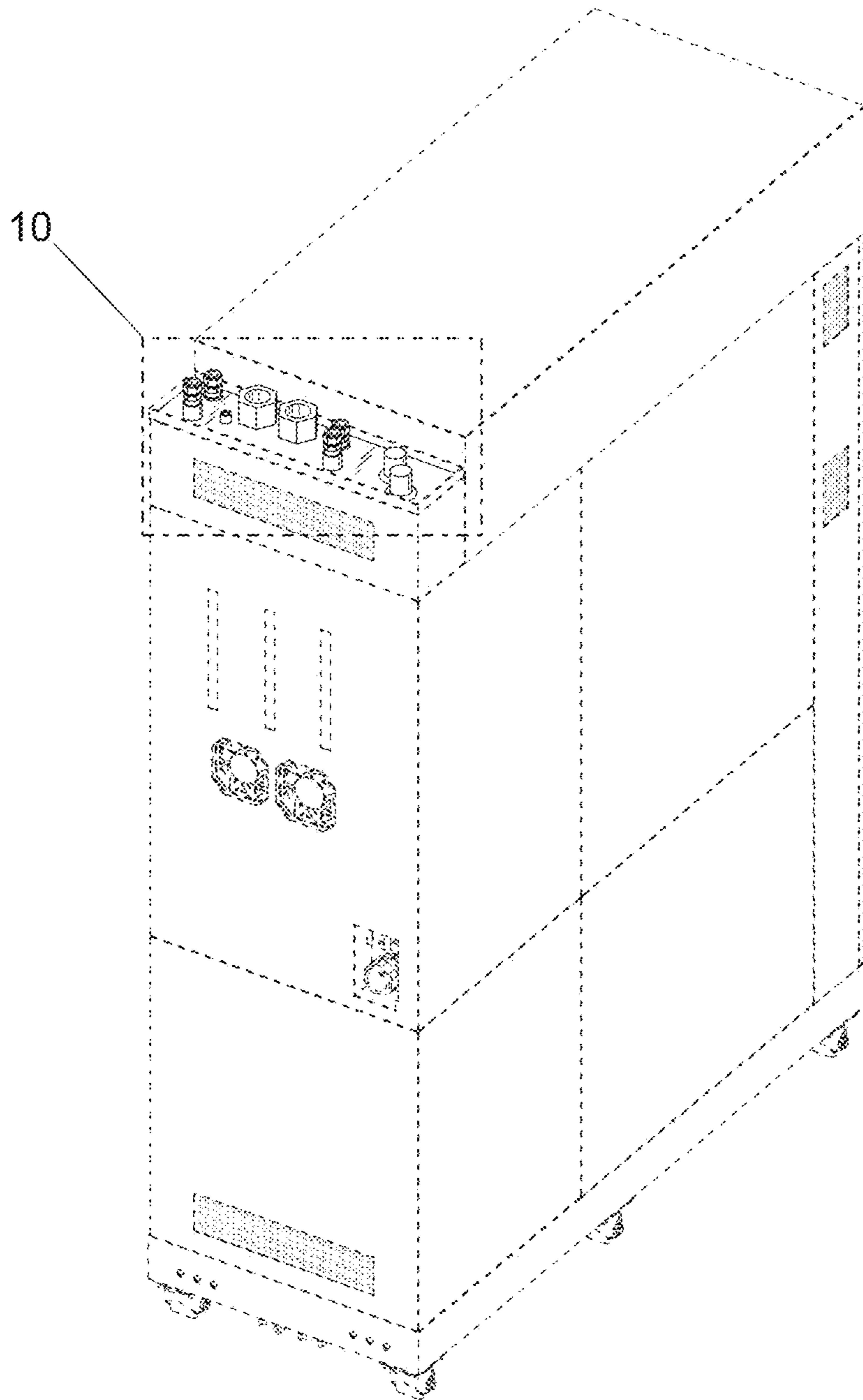


FIG. 2

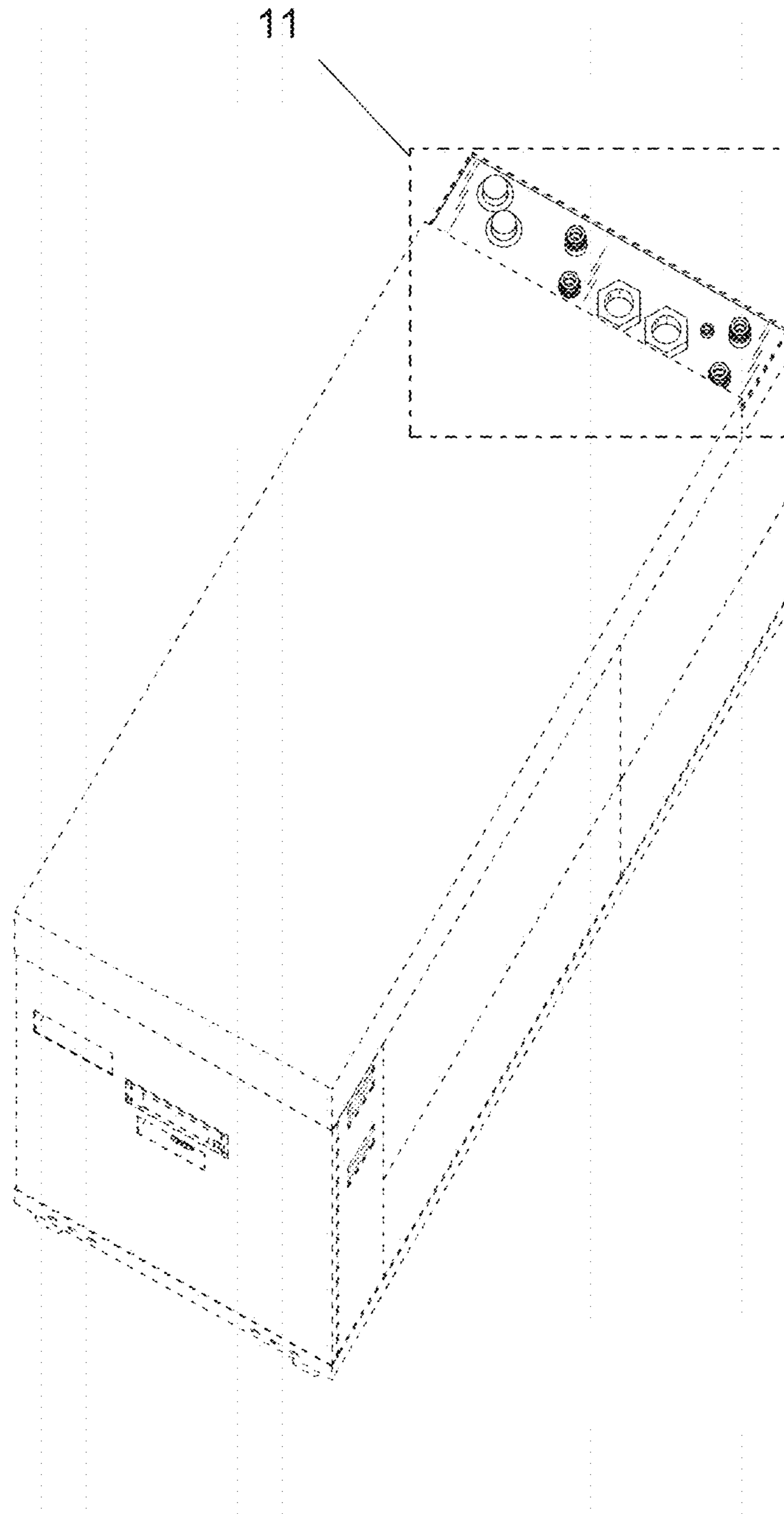


FIG. 3

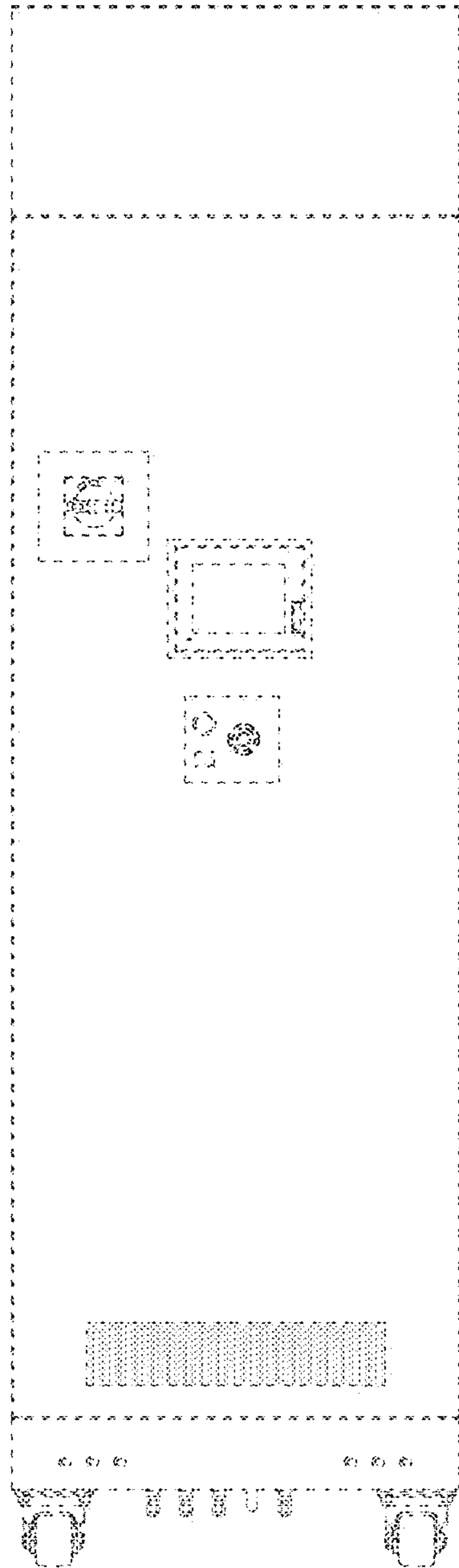


FIG. 4

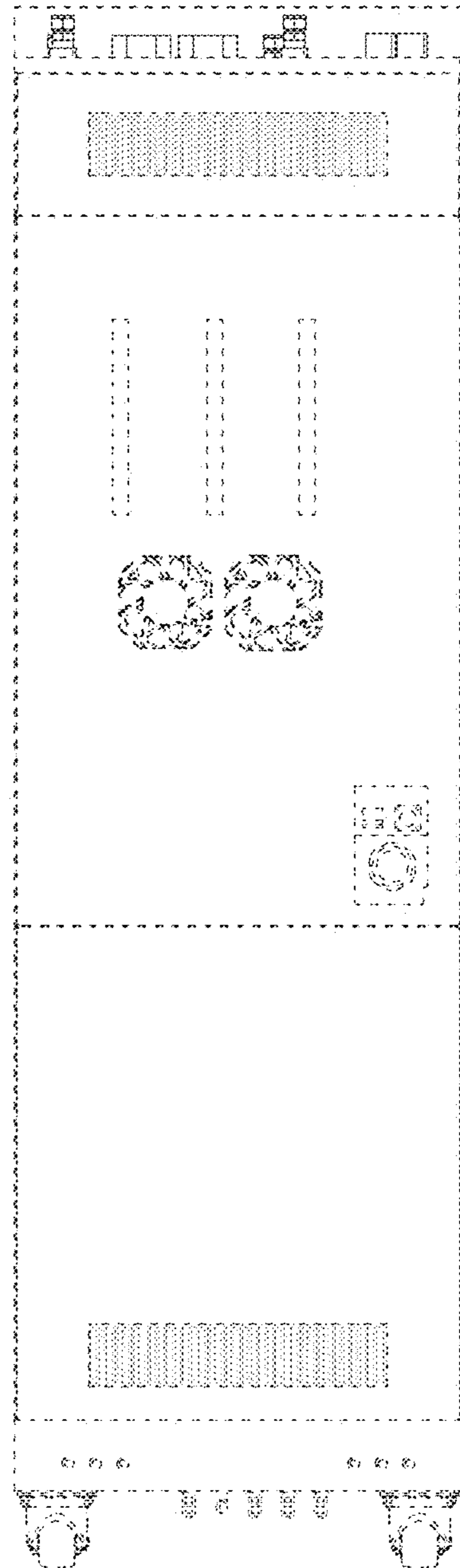


FIG. 5

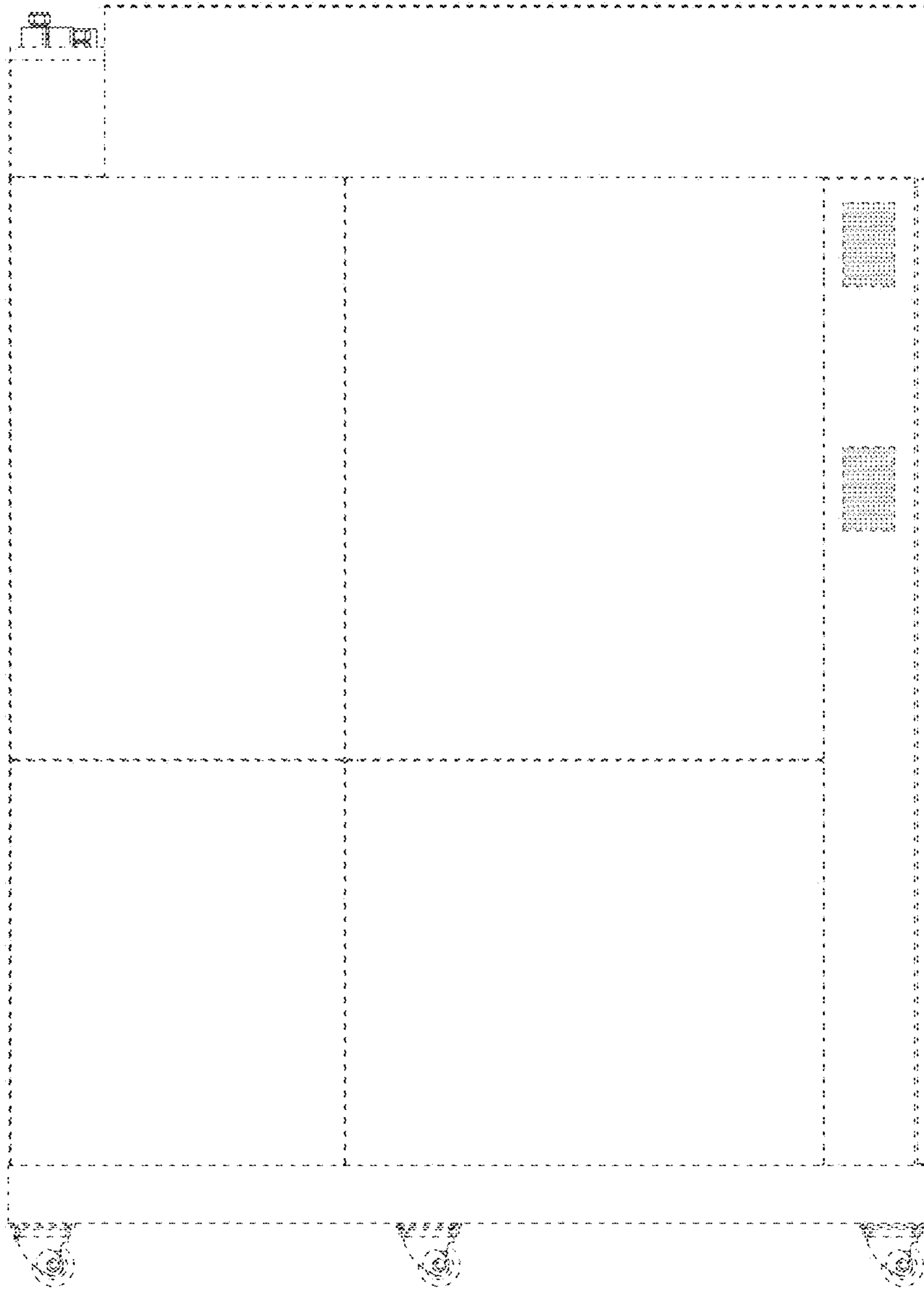


FIG. 6

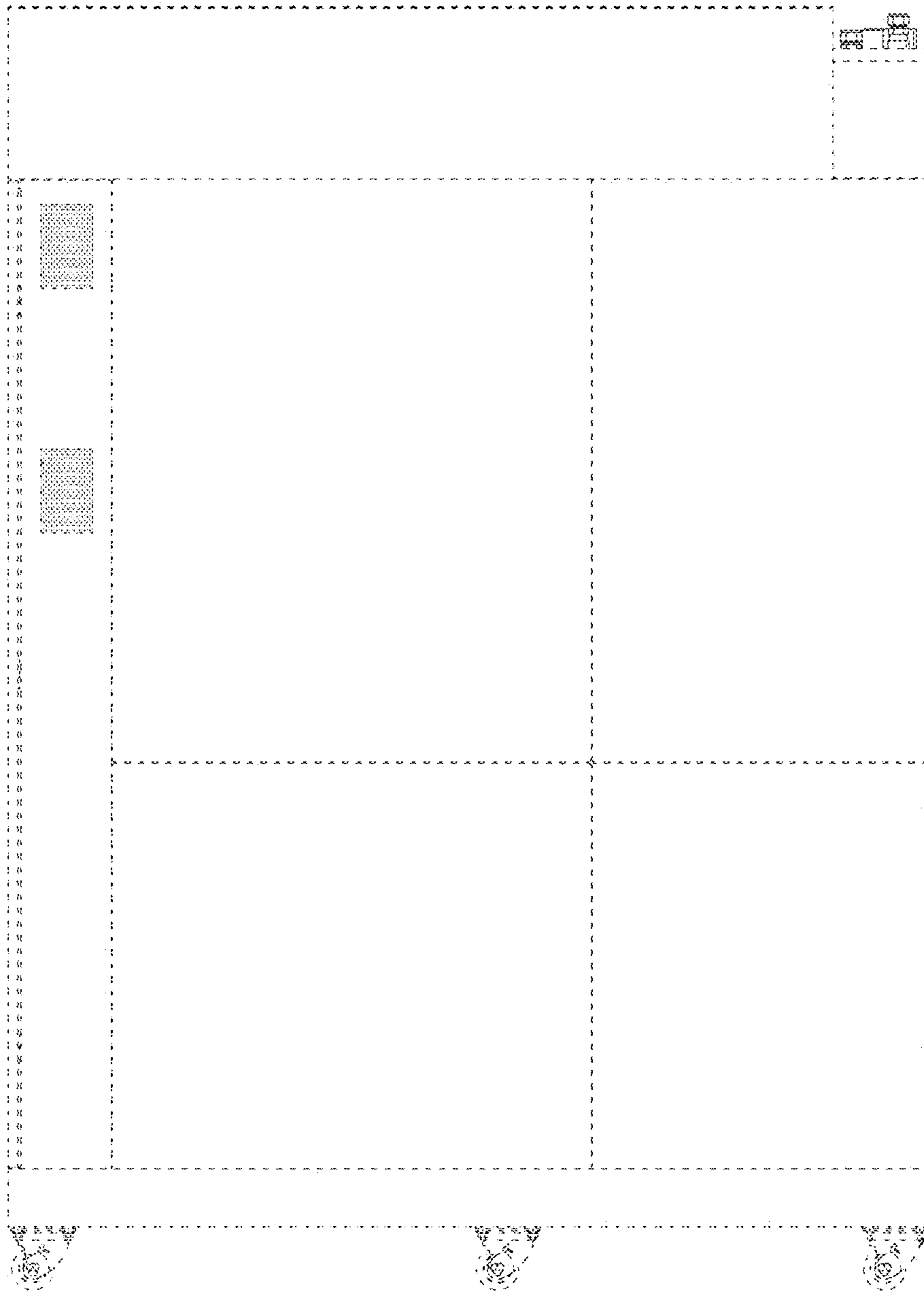


FIG. 7



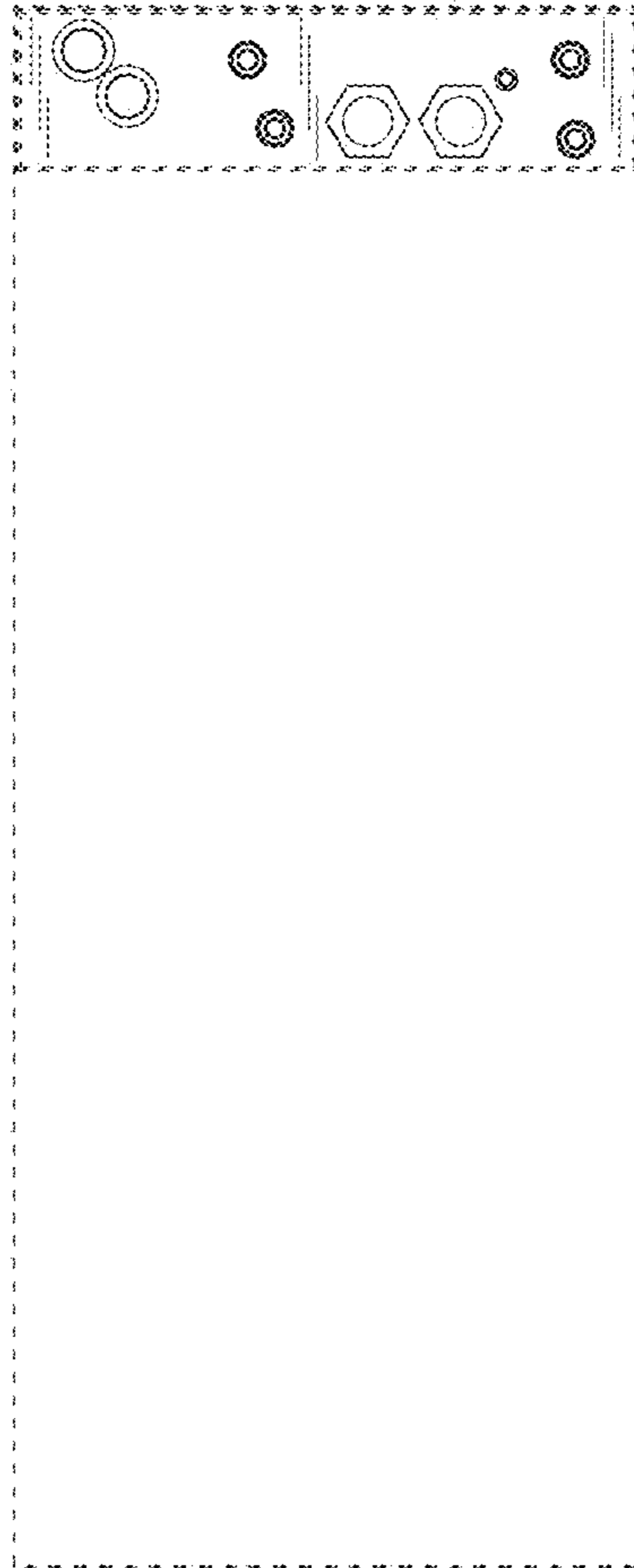


FIG. 8

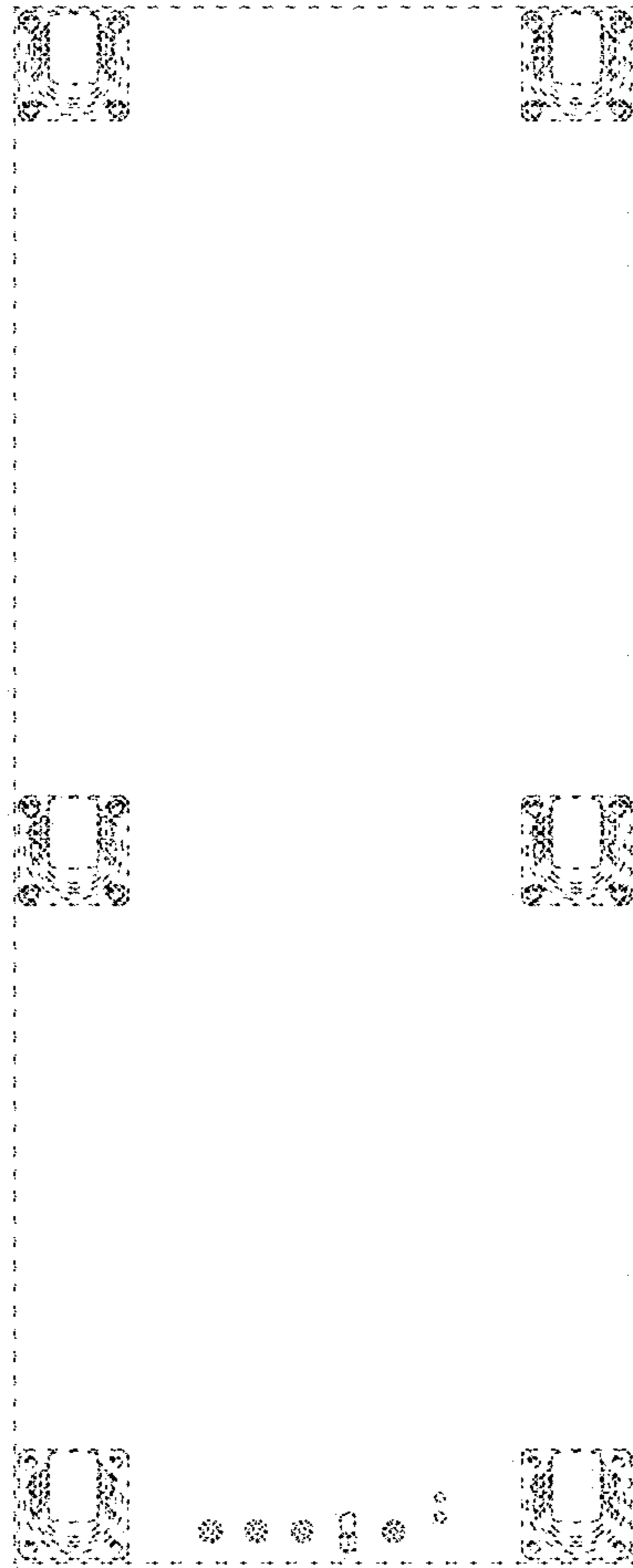


FIG. 9

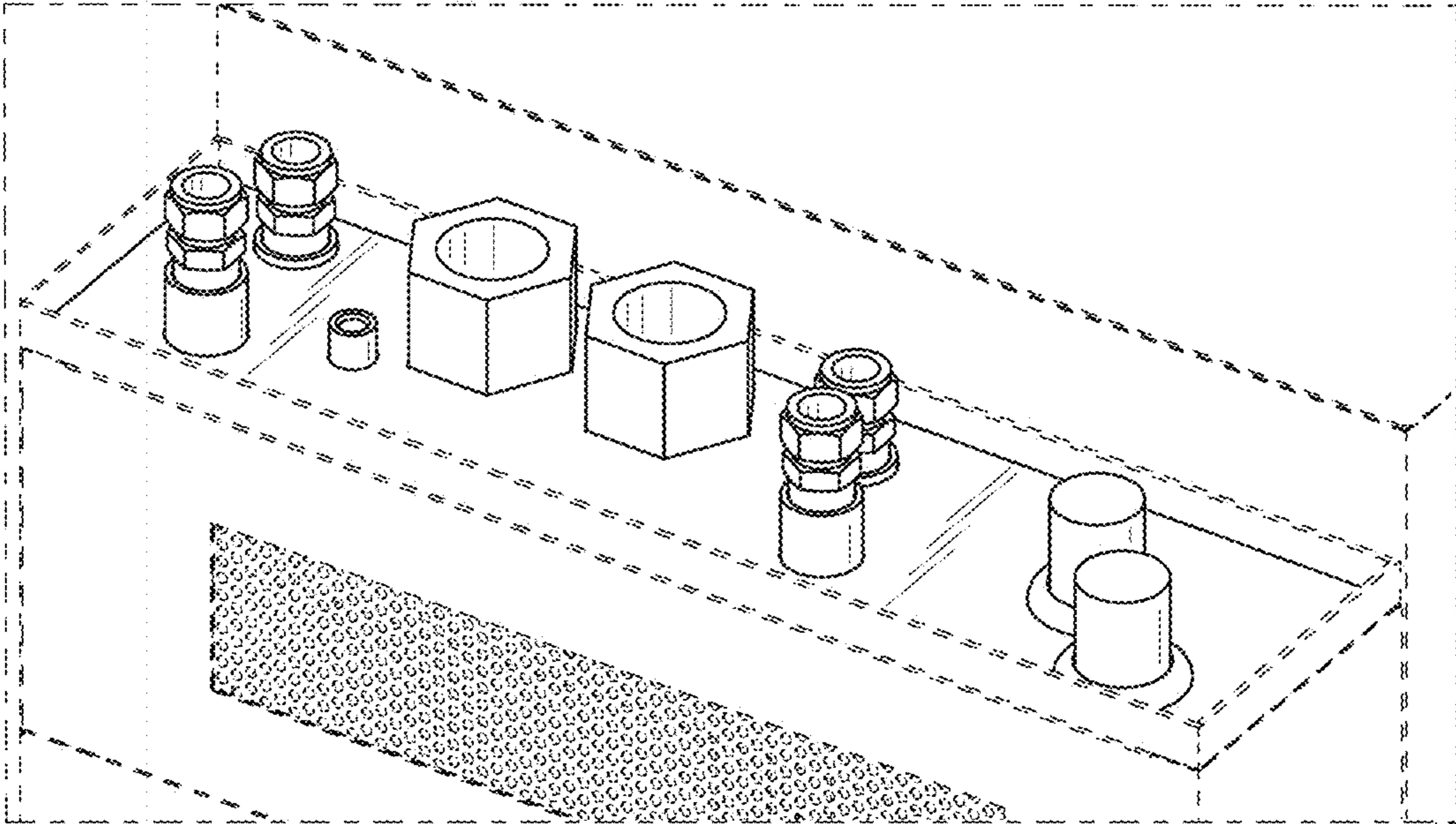


FIG. 10

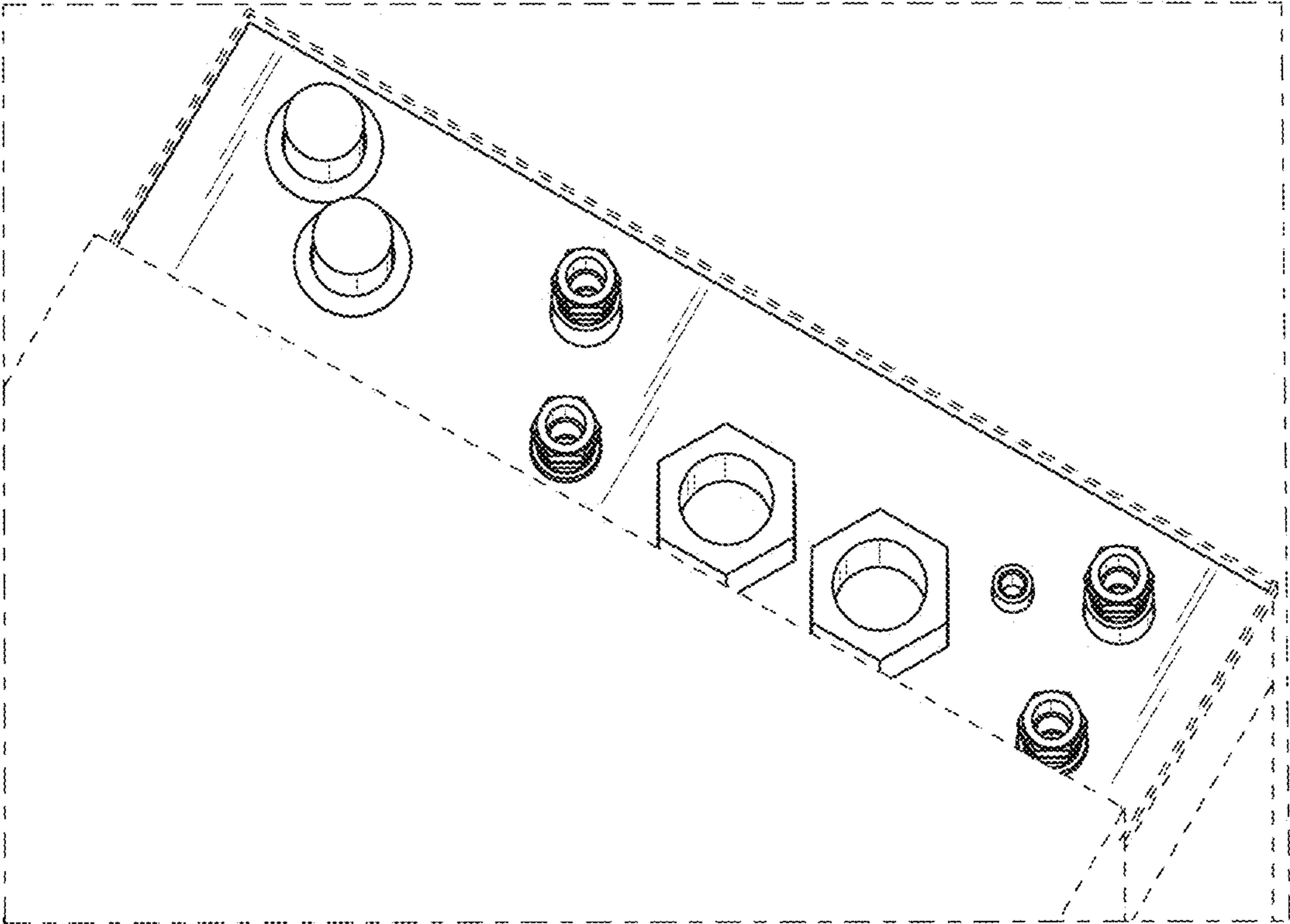


FIG. 11