



US00D935904S

(12) **United States Design Patent** (10) **Patent No.:** **US D935,904 S**  
**Johnson et al.** (45) **Date of Patent:** **\*\* Nov. 16, 2021**

(54) **IRRIGATION CONTROLLER**

(71) Applicant: **Orbit Irrigation Products, LLC**, North Salt Lake, UT (US)

(72) Inventors: **Timothy Michael Johnson**, Woods Cross, UT (US); **Ronald Matthew Stuart**, Clinton, UT (US); **Robert Aaron Macdonald**, Farmington, UT (US); **Quinton John Watson**, Salt Lake City, UT (US)

(73) Assignee: **Orbit Irrigation Products, LLC**, North Salt Lake, UT (US)

(\*\*) Term: **15 Years**

(21) Appl. No.: **29/717,293**

(22) Filed: **Dec. 16, 2019**

(51) **LOC (13) Cl.** ..... **10-04**

(52) **U.S. Cl.**  
USPC ..... **D10/49**

(58) **Field of Classification Search**  
USPC ..... D10/40, 49, 50, 102, 103; D13/162, D13/162.1, 164, 168, 173, 177, 184; D23/246  
CPC ..... B05B 12/02; G01F 11/30; G05D 11/00; F16K 31/02; A01G 25/16; A01G 25/162; A01G 25/165; A01G 27/003; A01G 27/008  
See application file for complete search history.

(56) **References Cited**

**U.S. PATENT DOCUMENTS**

D444,087 S \* 6/2001 Johannsen ..... D10/101  
D623,969 S \* 9/2010 Neitzel ..... D10/49  
(Continued)

**OTHER PUBLICATIONS**

Skydrop, Skydrop™ Arc Sprinkler Controller, Product No. SDARC1.0, web page [online], apparently published on or before Mar. 3,

2019, retrieved from the Internet on Aug. 13, 2020 from <URL: https://web.archive.org/web/20190303155754/https://www.skydrop.com/#> (shown in attachment 9).

(Continued)

*Primary Examiner* — Leanne Was-Englehart  
(74) *Attorney, Agent, or Firm* — Austin Rapp

(57) **CLAIM**

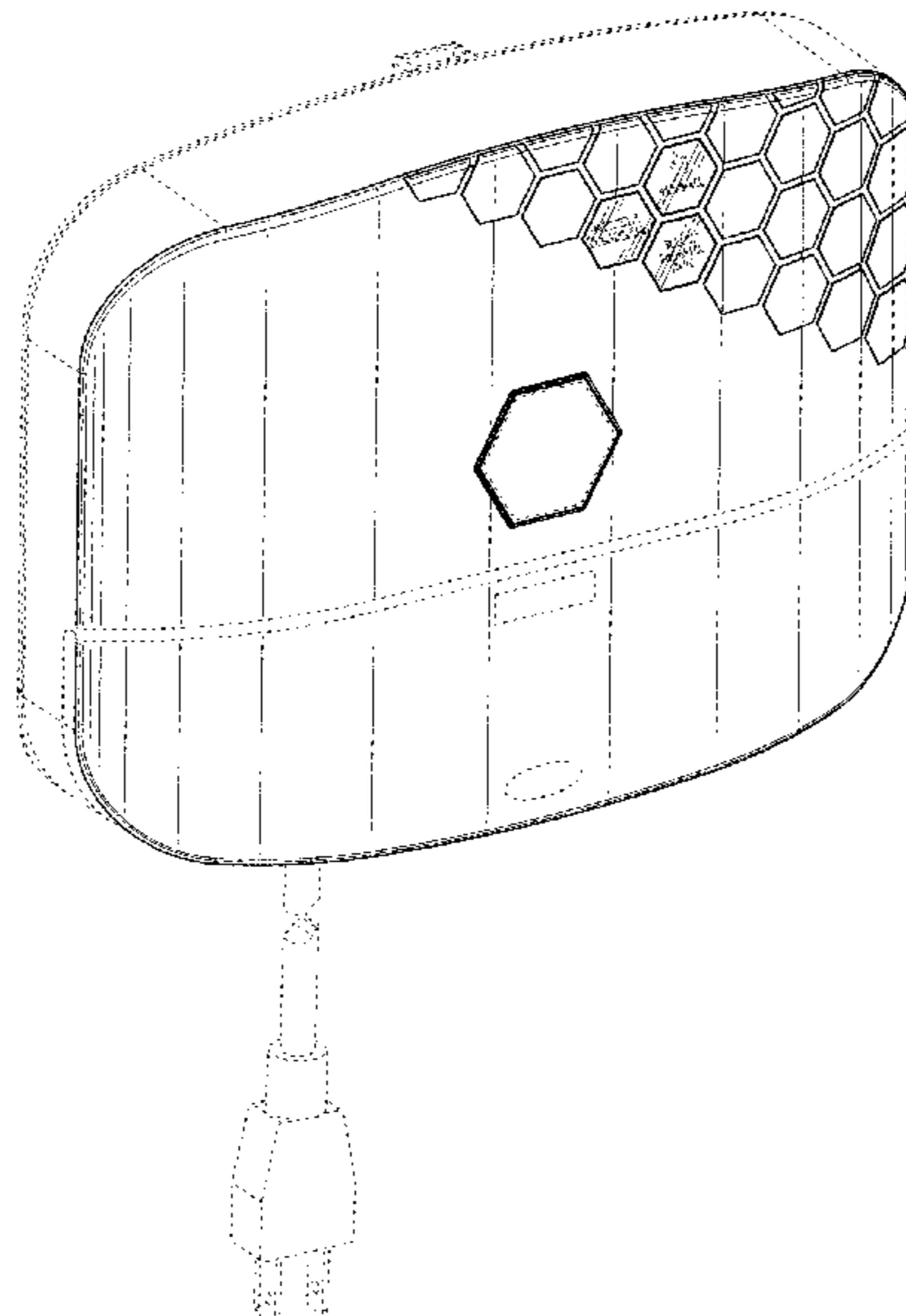
The ornamental design for an irrigation controller, as shown and described.

**DESCRIPTION**

FIG. 1 is a first top perspective view of an irrigation controller according to our new design;  
FIG. 2 is a second top perspective view of the irrigation controller shown in FIG. 1;  
FIG. 3 is a first bottom perspective view of the irrigation controller shown in FIG. 1;  
FIG. 4 is a second bottom perspective view of the irrigation controller shown in FIG. 1;  
FIG. 5 is a front side elevational view of the irrigation controller shown in FIG. 1;  
FIG. 6 is a top side view of the irrigation controller shown in FIG. 1;  
FIG. 7 is a bottom side view of the irrigation controller shown in FIG. 1;  
FIG. 8 is a right side elevational view of the irrigation controller shown in FIG. 1; and,  
FIG. 9 is a left side elevational view of the irrigation controller shown in FIG. 1.

The broken lines in the figures (including the broken line text and/or icons included in three of the hexagons) are included for the purpose of illustrating unclaimed portions of the irrigation controller and form no part of the claimed design. The rear side views of the irrigation controller are not included as no portion of the rear side of the irrigation controller is claimed.

**1 Claim, 9 Drawing Sheets**



(56)

**References Cited**

U.S. PATENT DOCUMENTS

D705,744	S *	5/2014	Porter	.....	D13/177
D857,538	S *	8/2019	Rodriguez	.....	D10/103
D858,332	S *	9/2019	Rodriguez	.....	D10/103
D858,334	S	9/2019	Stuart		
2014/0081469	A1 *	3/2014	Kah, Jr.	.....	G05B 19/0426 700/284

OTHER PUBLICATIONS

Skydrop, Skydrop™ Arc Sprinkler Controller, Product No. SDARC1.0, web page [online], apparently published on or before Aug. 12, 2020, retrieved from the Internet on Aug. 12, 2020 from <URL: <https://www.skydrop.com/product/skydrop-arc/>> (shown in attachment 10).

Amazon, Rachio Smart Sprinkler Controller, WiFi, 8 Zone 2nd Generation, Works with Alexa, online catalog [online] [retrieved Apr. 18, 2018], apparently published on or before Apr. 29, 2016, Retrieved from the Internet: <URL: <https://www.amazon.com/Rachio-Sprinkler-Controller-Generation-Amazon/dp/B01D1NMLJU>> (shown in attachment 1).

Amazon, Spruce Irrigation 16 Zone Smart Wifi Controller (Gen 2), Compatible with Alexa, online catalog [online] [retrieved Apr. 18, 2018], apparently published on or before Jan. 5, 2018, Retrieved from the Internet: <URL: [https://www.amazon.com/dp/B075B3GZLX/ref=sspa\\_dk\\_detail\\_2?psc=1&pd\\_rd\\_i=B075B3GZLX&pd\\_rd\\_wg=fvXen&pd\\_rd\\_r=Z7CTPHV7ZQS4G54DCDAC&pd\\_rd\\_w=uNUOm](https://www.amazon.com/dp/B075B3GZLX/ref=sspa_dk_detail_2?psc=1&pd_rd_i=B075B3GZLX&pd_rd_wg=fvXen&pd_rd_r=Z7CTPHV7ZQS4G54DCDAC&pd_rd_w=uNUOm)> (shown in attachment 2).

Amazon, Netro Smart Sprinkler Controller, WiFi, Weather aware, Remote access, 6 Zone, Compatible with Alexa, online catalog [online] [retrieved Apr. 18, 2018], apparently published on or before Dec. 12, 2017, Retrieved from the Internet: <URL: [https://www.amazon.com/dp/B076CZ6DHR/ref=sspa\\_dk\\_detail\\_1?psc=1&pd\\_rd\\_i=B076CZ6DHR&pd\\_rd\\_wg=fvXen&pd\\_rd\\_r=Z7CTPHV7ZQS4G54DCDAC&pd\\_rd\\_w=uNUOm](https://www.amazon.com/dp/B076CZ6DHR/ref=sspa_dk_detail_1?psc=1&pd_rd_i=B076CZ6DHR&pd_rd_wg=fvXen&pd_rd_r=Z7CTPHV7ZQS4G54DCDAC&pd_rd_w=uNUOm)> (shown in attachment 3).

amazon.com/dp/B076CZ6DHR/ref=sspa\_dk\_detail\_1?psc=1&pd\_rd\_i=B076CZ6DHR&pd\_rd\_wg=fvXen&pd\_rd\_r=Z7CTPHV7ZQS4G54DCDAC&pd\_rd\_w=uNUOm> (shown in attachment 3).

Amazon, RainMachine Mini-8, Cloud Independent, The Forecast Sprinkler, Wi-Fi Irrigation Controller, online catalog [online] [retrieved Apr. 18, 2018], apparently published on or before Dec. 27, 2015, Retrieved from the Internet: <URL: [https://www.amazon.com/RainMachine-Mini-8-Independent-Irrigation-Controller/dp/B00WQI65V2/ref=pd\\_day0\\_86\\_4encoding=UTF8&pd\\_rd\\_r=B00WQI65V2&pd\\_rd\\_r=Z7CTPHV7ZQS4G54DCDAC&pd\\_rd\\_w=3Fmig&pd\\_rd\\_wg=fvXen&psc=1&refRID=Z7CTPHV7ZQS4G54DCDAC](https://www.amazon.com/RainMachine-Mini-8-Independent-Irrigation-Controller/dp/B00WQI65V2/ref=pd_day0_86_4encoding=UTF8&pd_rd_r=B00WQI65V2&pd_rd_r=Z7CTPHV7ZQS4G54DCDAC&pd_rd_w=3Fmig&pd_rd_wg=fvXen&psc=1&refRID=Z7CTPHV7ZQS4G54DCDAC)> (shown in attachment 4).

Amazon, Lono Connected Smart Home Irrigation System with up to 20 Zones, online catalog [online] [retrieved Apr. 18, 2018], apparently published on or before Oct. 23, 2015, Retrieved from the Internet: <URL: <https://www.amazon.com/Lono-Connected-Smart-Irrigation-System/dp/B00UNELCXM>> (shown in attachment 5).

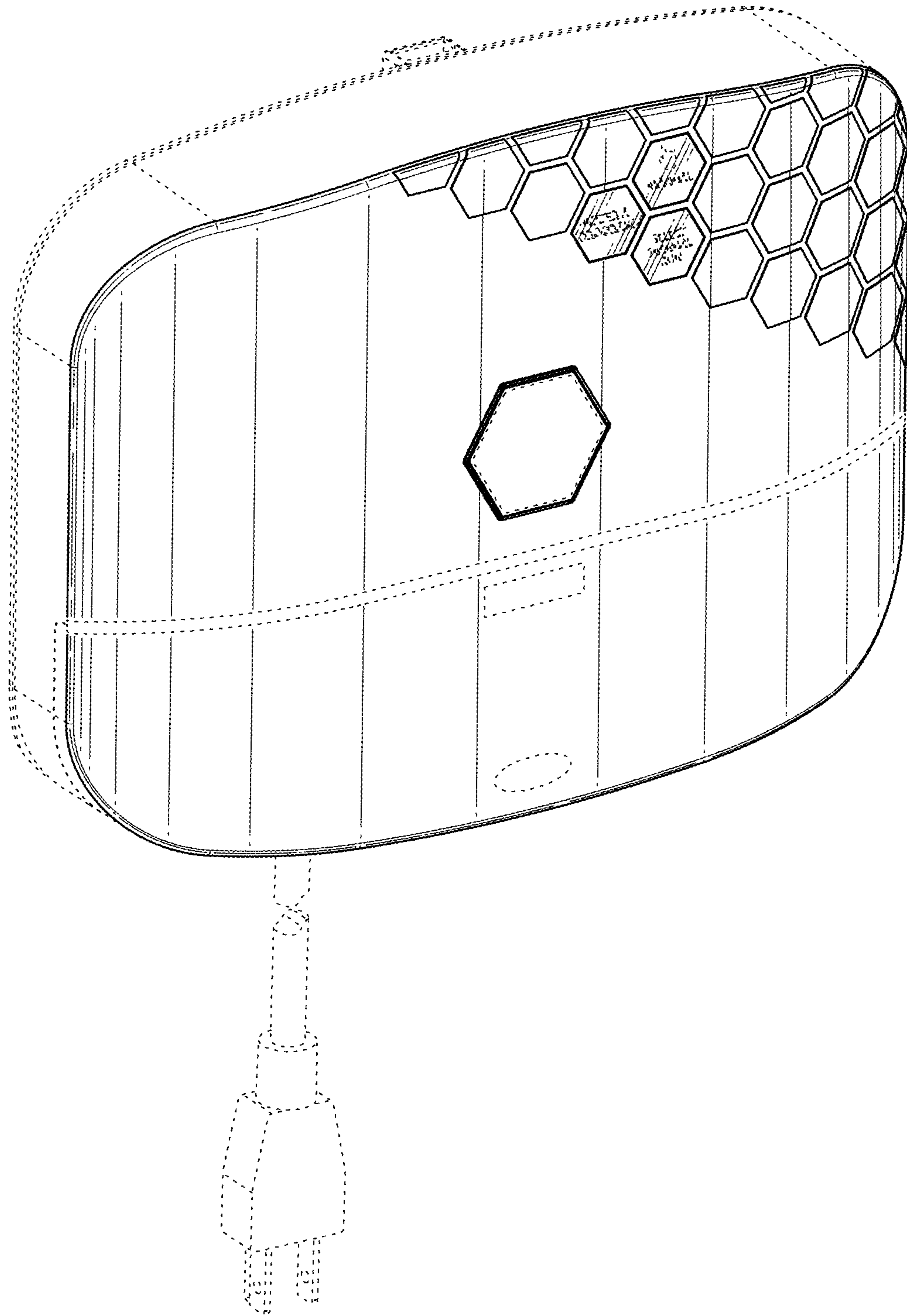
Amazon, Blossom 12 Zone Smart Watering Coidroller with WiFi + Powerline—Self-Scheduling Sprinkler Irrigation System, online catalog [online] [retrieved Apr. 18, 2018], apparently published on or before Apr. 30, 2015, Retrieved From the Internet: <URL: <https://www.amazon.com/Blossom-Smart-Watering-Controller-Powerline/dp/B00UHCT7KU>> (shown in attachment 6).

Amazon, Rachio 3 Smart Sprinkler Controller, Works with Alexa, 8 Zone, online catalog [online] [retrieved Feb. 13, 2020], apparently published on or before Jul. 11, 2018, Retrieved from the Internet: <<https://www.amazon.com/Rachio-Smart-Sprinkler-Controller-8-Zone/dp/B07CZ864Y9>> (shown in attachment 7).

Rachio, Inc., Rachio 3 Smart Sprinkler Controller, Product No. 8ZULW-C (shown in attachment 8) was sold or offered for sale at least by May 4, 2018.

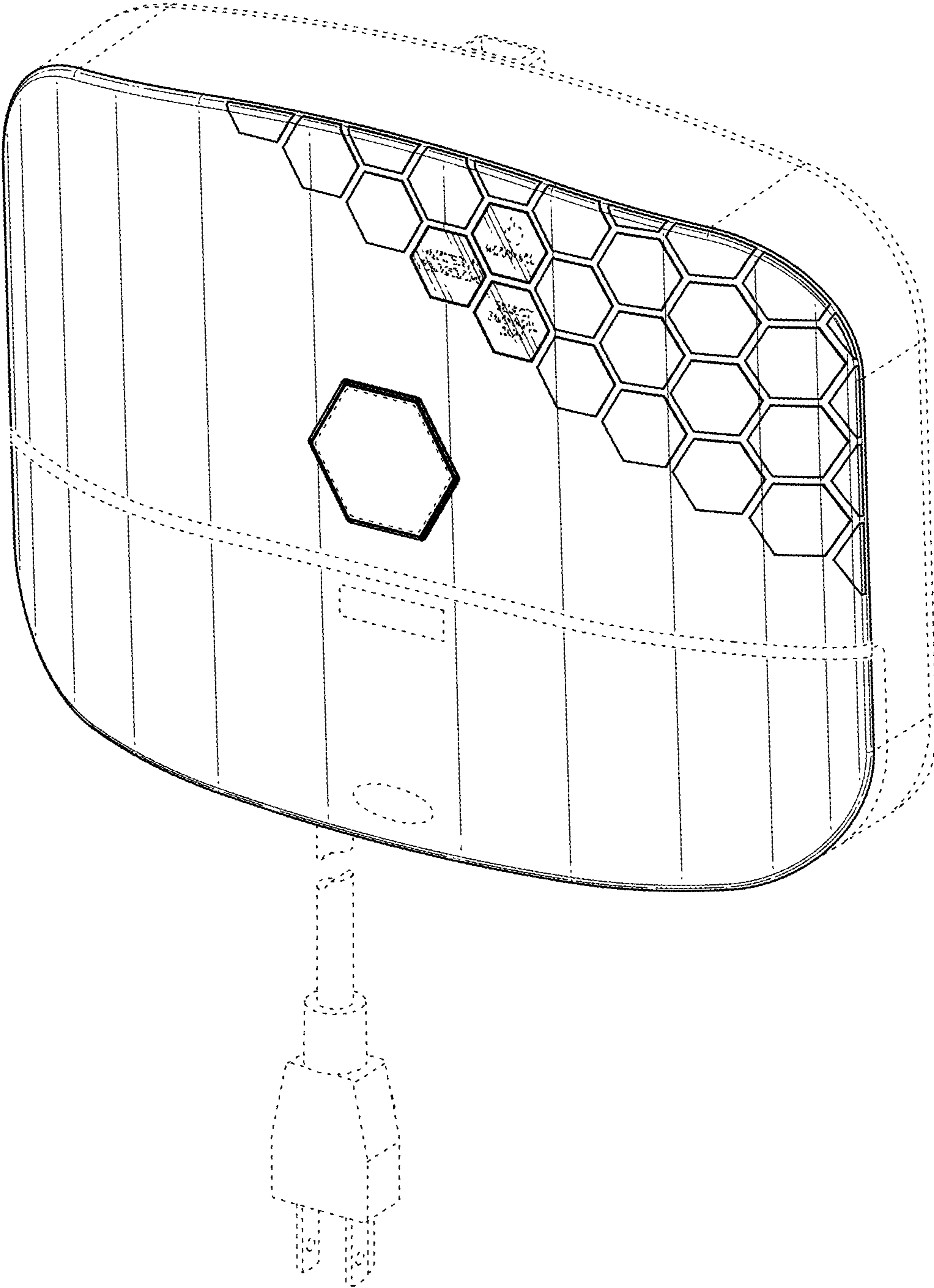
U.S. Appl. No. 29/734,134, filed May 8, 2020, Crawford.

\* cited by examiner



**FIG. 1**





**FIG. 2**

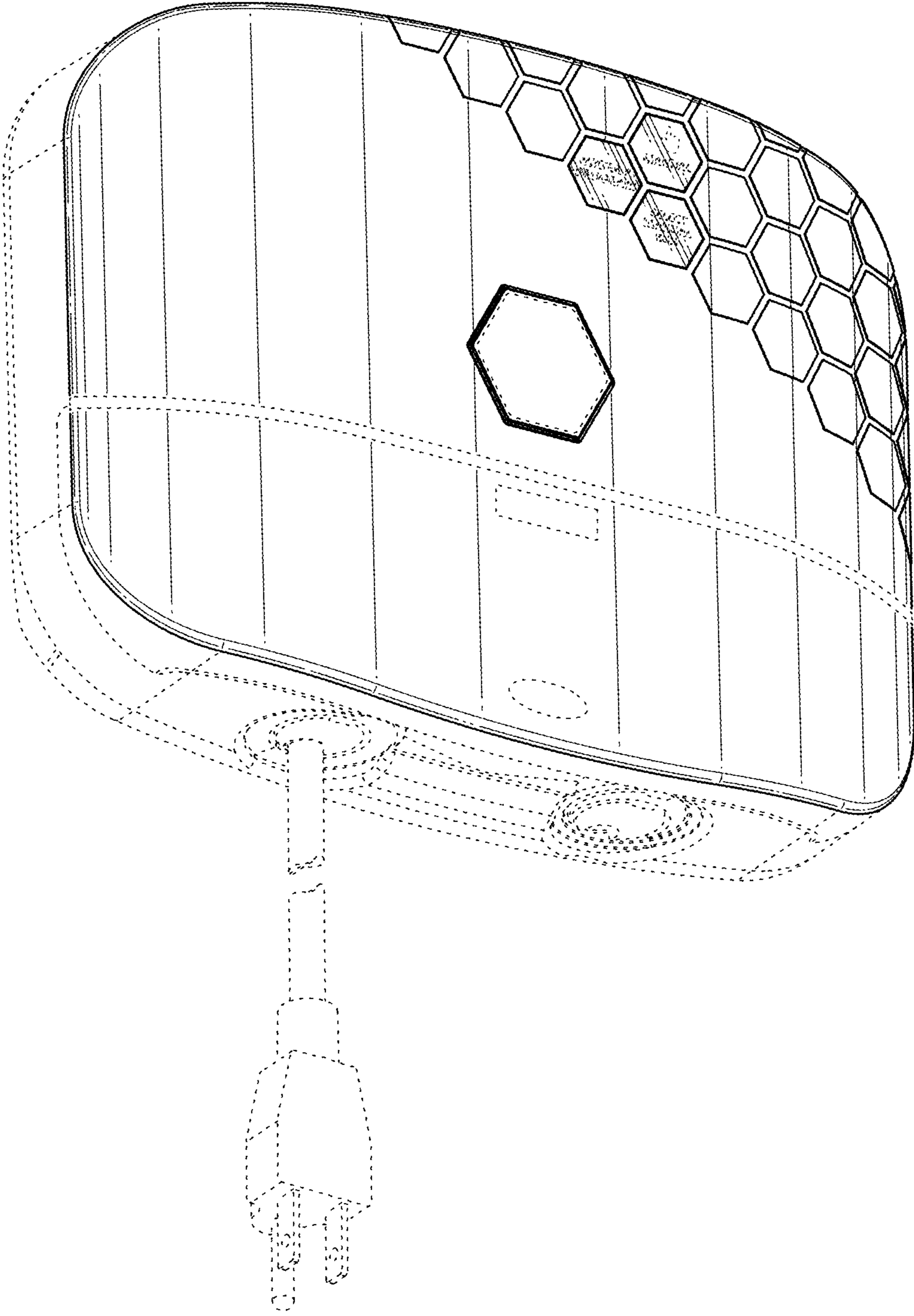
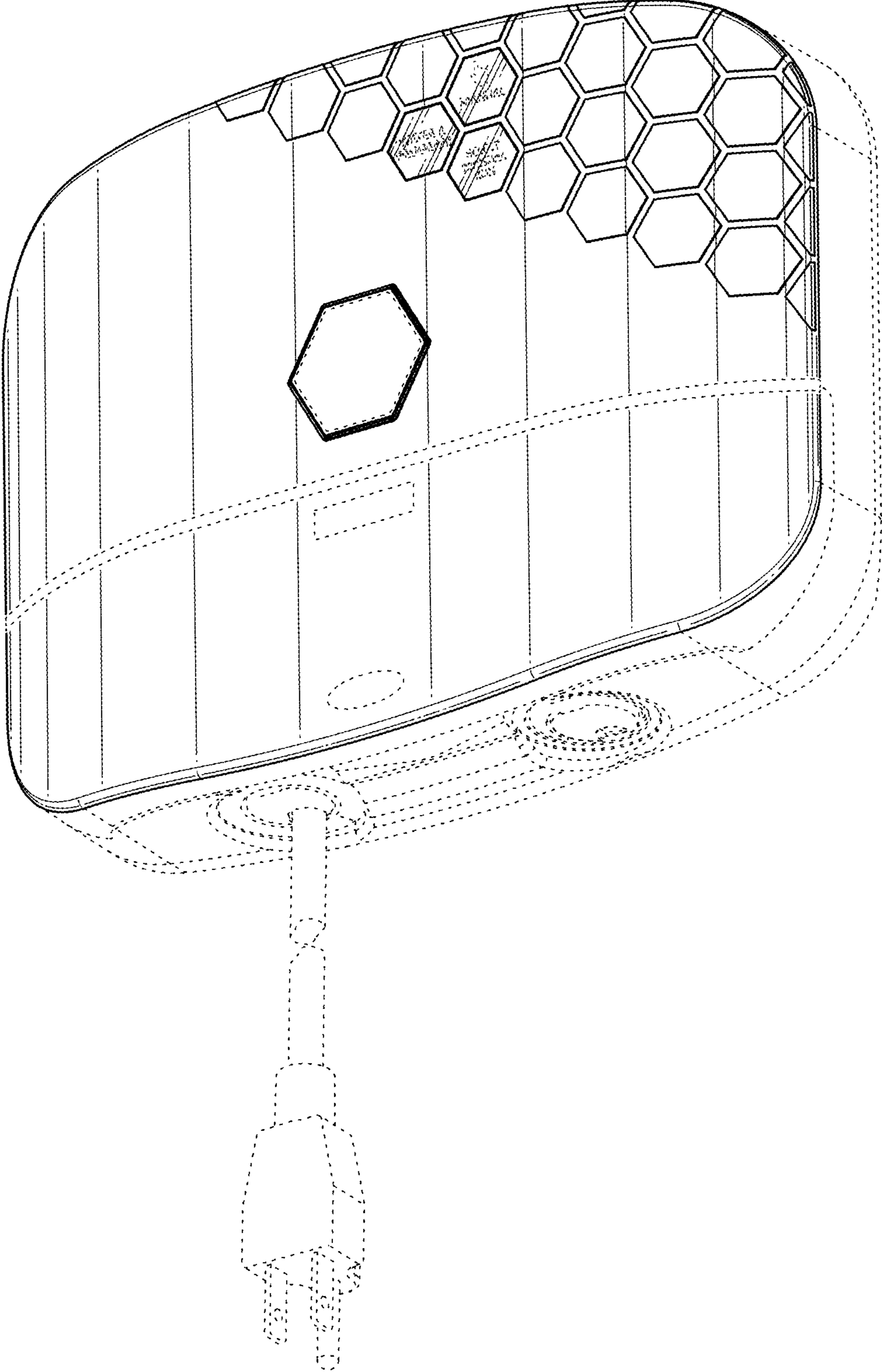
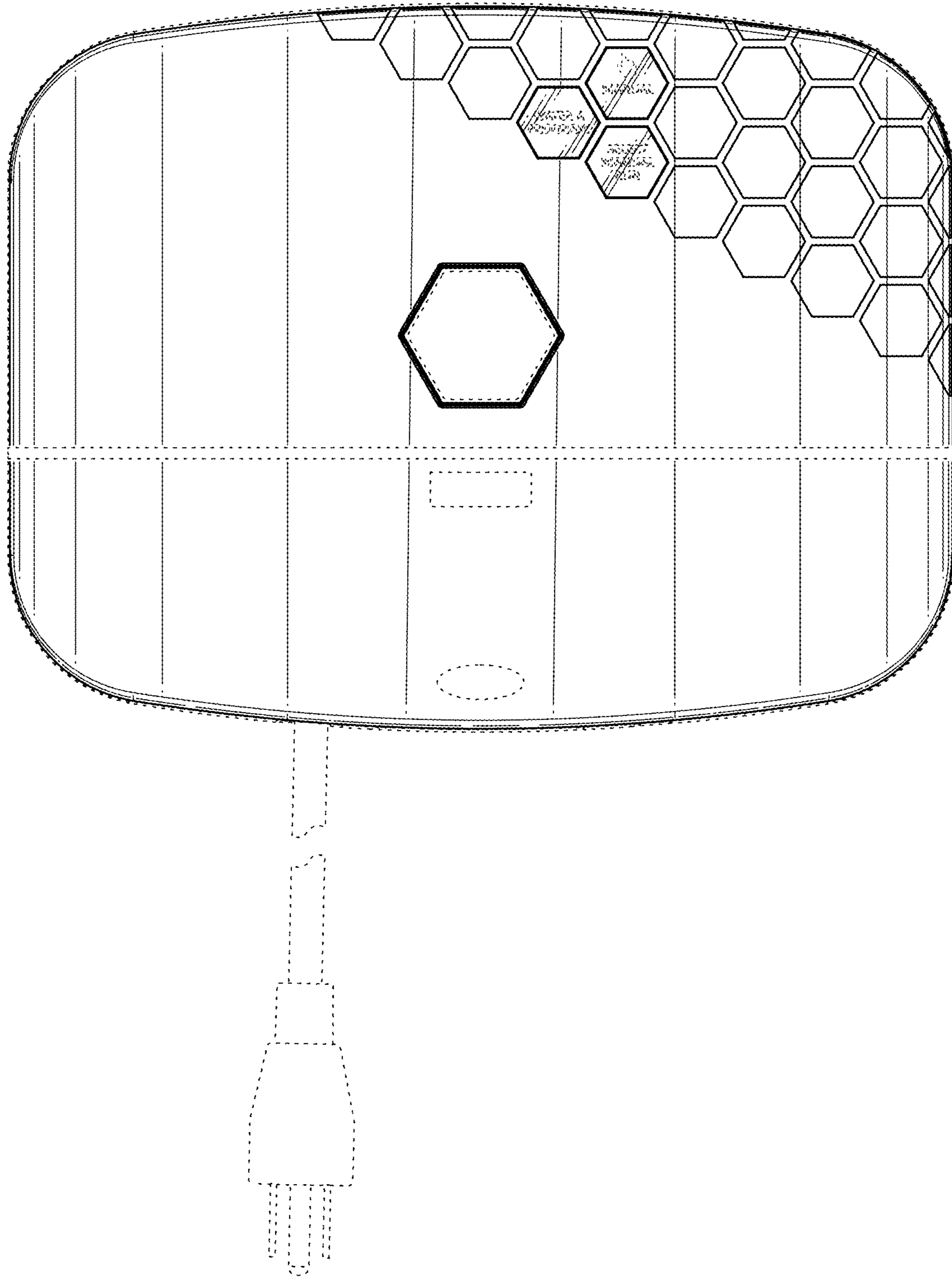


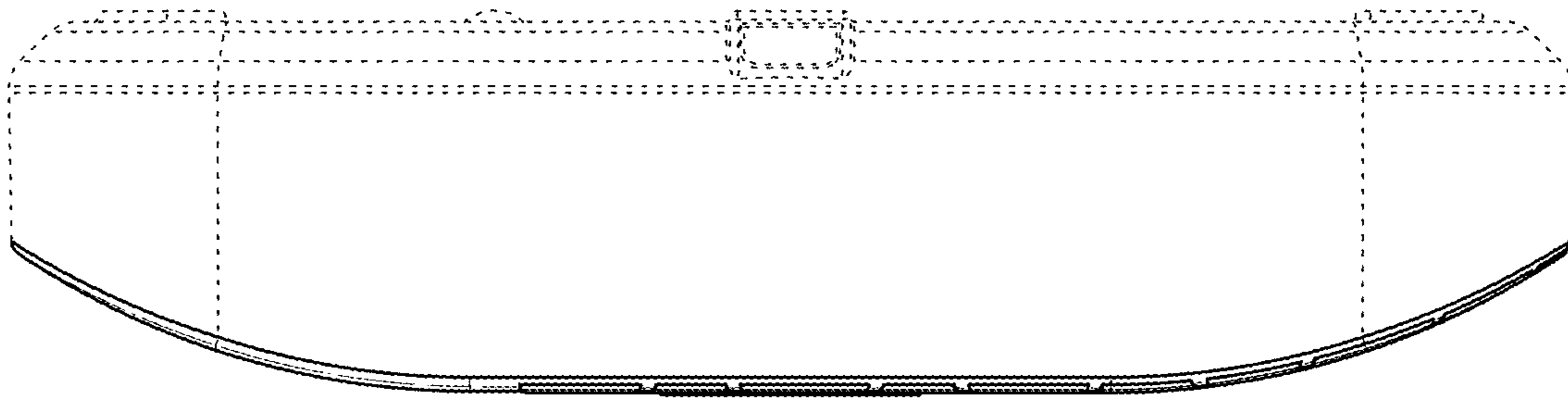
FIG. 3



**FIG. 4**

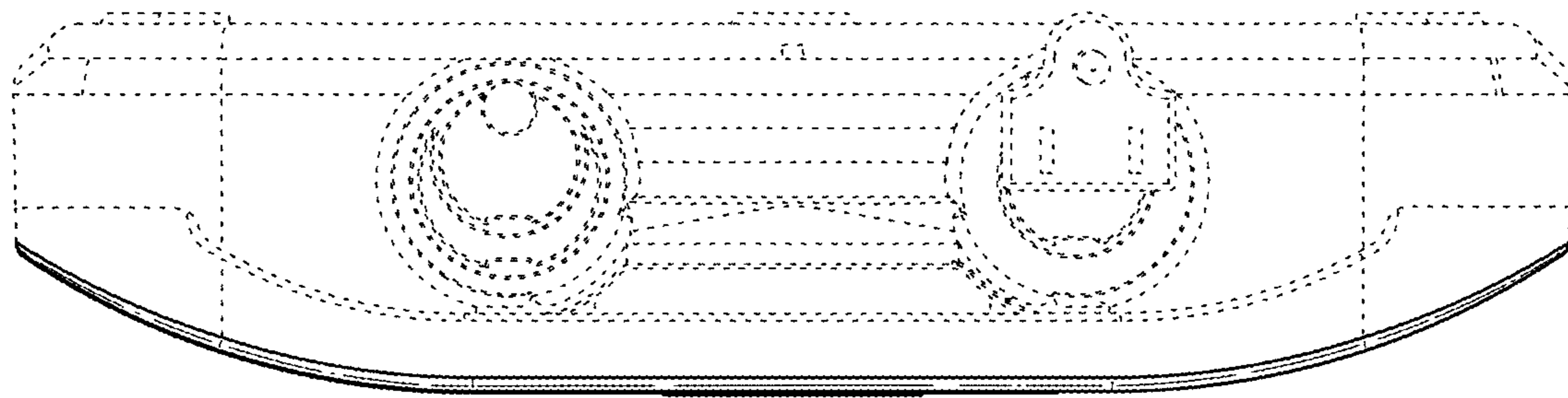


**FIG. 5**

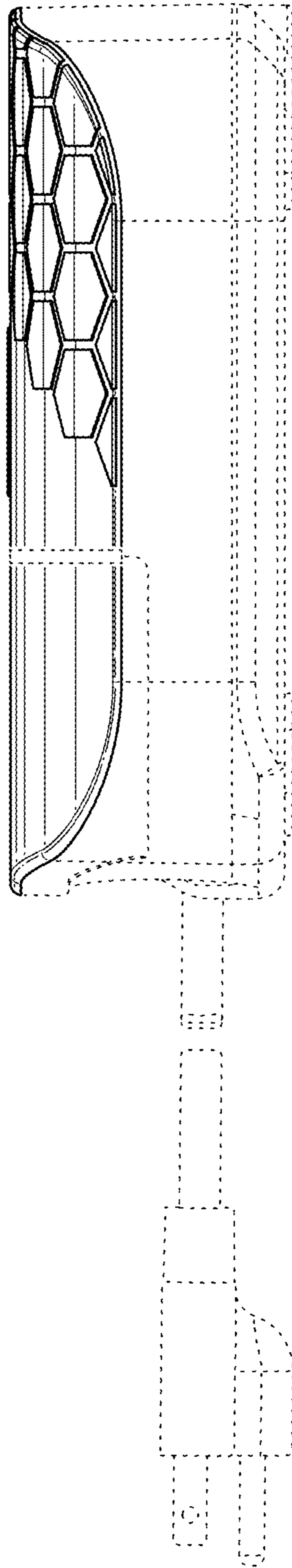


**FIG. 6**

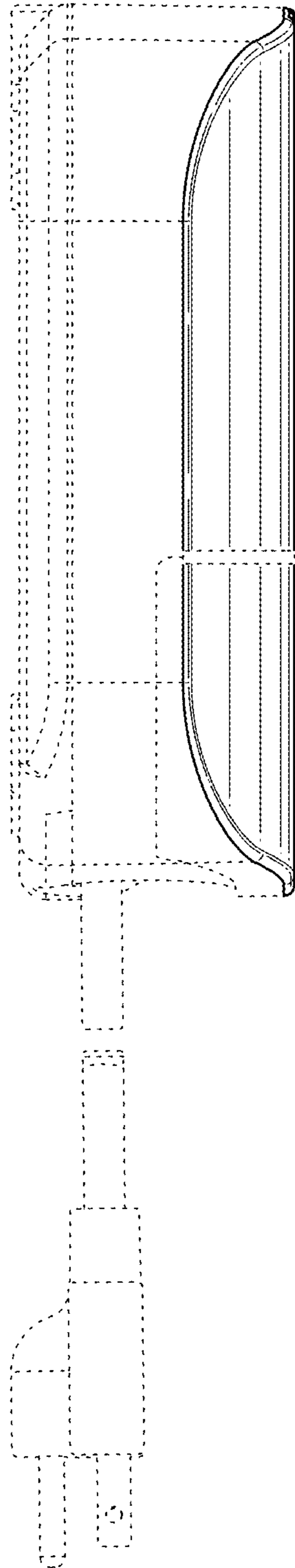




**FIG. 7**



**FIG. 8**



**FIG. 9**

UNITED STATES PATENT AND TRADEMARK OFFICE  
**CERTIFICATE OF CORRECTION**

PATENT NO. : D935,904 S  
APPLICATION NO. : 29/717293  
DATED : November 16, 2021  
INVENTOR(S) : Timothy Michael Johnson et al.

Page 1 of 1

It is certified that error appears in the above-identified patent and that said Letters Patent is hereby corrected as shown below:

On the Title Page

Description

Replace "FIG. 8 is a right side elevational view of the irrigation controller shown in FIG. 1; and," with  
--FIG. 8 is a right side elevational view of the irrigation controller shown in FIG. 1; and--

Signed and Sealed this  
Twenty-first Day of March, 2023



Katherine Kelly Vidal  
*Director of the United States Patent and Trademark Office*