



US00D935903S

(12) **United States Design Patent**  
**Hattori et al.**

(10) **Patent No.:** **US D935,903 S**  
(45) **Date of Patent:** **\*\* Nov. 16, 2021**

(54) **WALL SCANNER**

FOREIGN PATENT DOCUMENTS

(71) Applicant: **MAKITA CORPORATION**, Anjo (JP)

JP 1234853 S 4/2005

(72) Inventors: **Kazunori Hattori**, Anjo (JP); **Hikaru Sunabe**, Anjo (JP)

\* cited by examiner

(73) Assignee: **MAKITA CORPORATION**, Anjo (JP)

*Primary Examiner* — Antoine Duval Davis  
(74) *Attorney, Agent, or Firm* — Global IP Counselors, LLP

(\*\*) Term: **15 Years**

(57) **CLAIM**

(21) Appl. No.: **29/707,044**

The ornamental design for a wall scanner, as shown and described.

(22) Filed: **Sep. 25, 2019**

**DESCRIPTION**

(30) **Foreign Application Priority Data**

Mar. 26, 2019 (JP) ..... 2019-006293

(51) **LOC (13) Cl.** ..... **10-04**

(52) **U.S. Cl.**  
USPC ..... **D10/47; D10/78**

(58) **Field of Classification Search**  
USPC ..... D10/47, 78  
CPC . G01V 3/12; G01V 3/08; G01V 3/088; G01V 3/15; G01V 3/16; G01V 3/165; G01V 3/17; G01V 3/175; G06F 1/637  
See application file for complete search history.

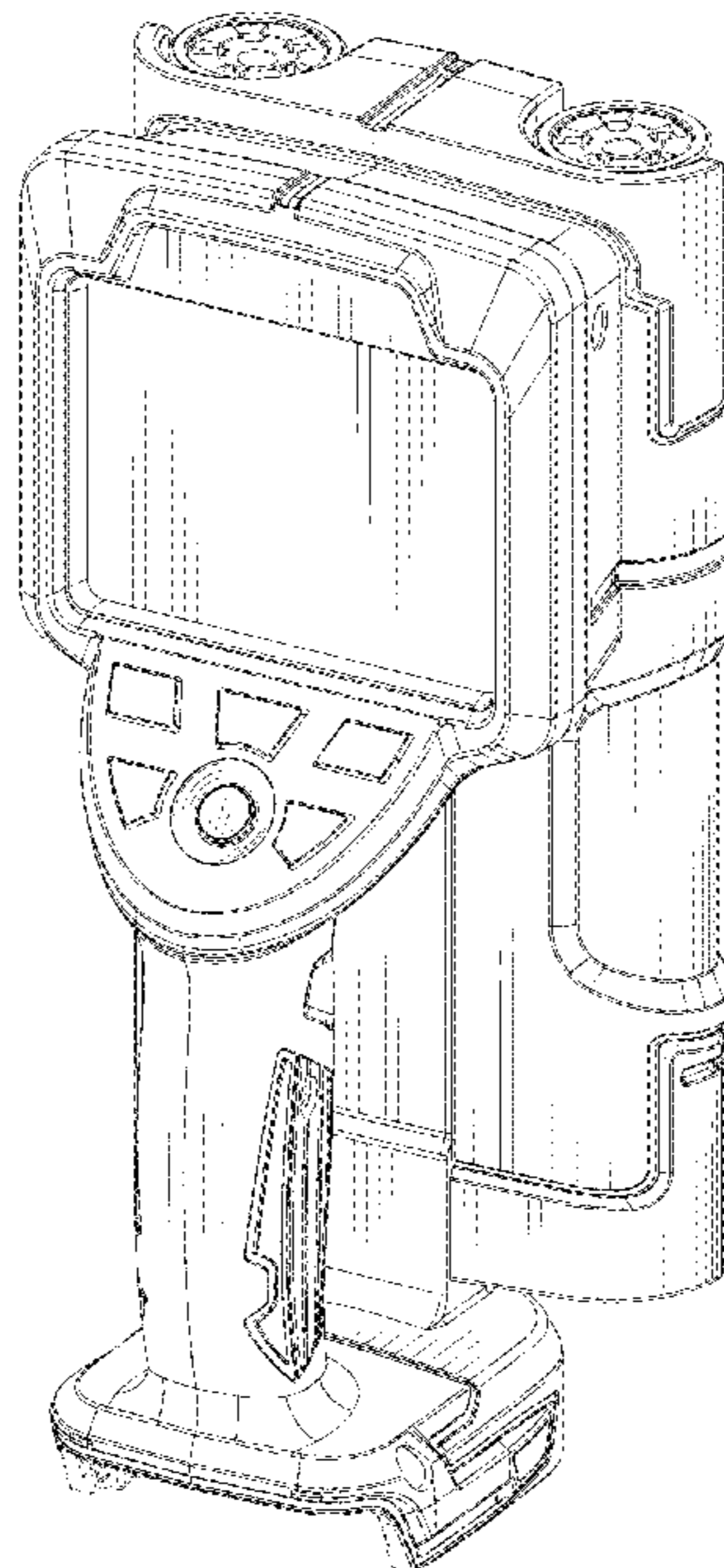
(56) **References Cited**

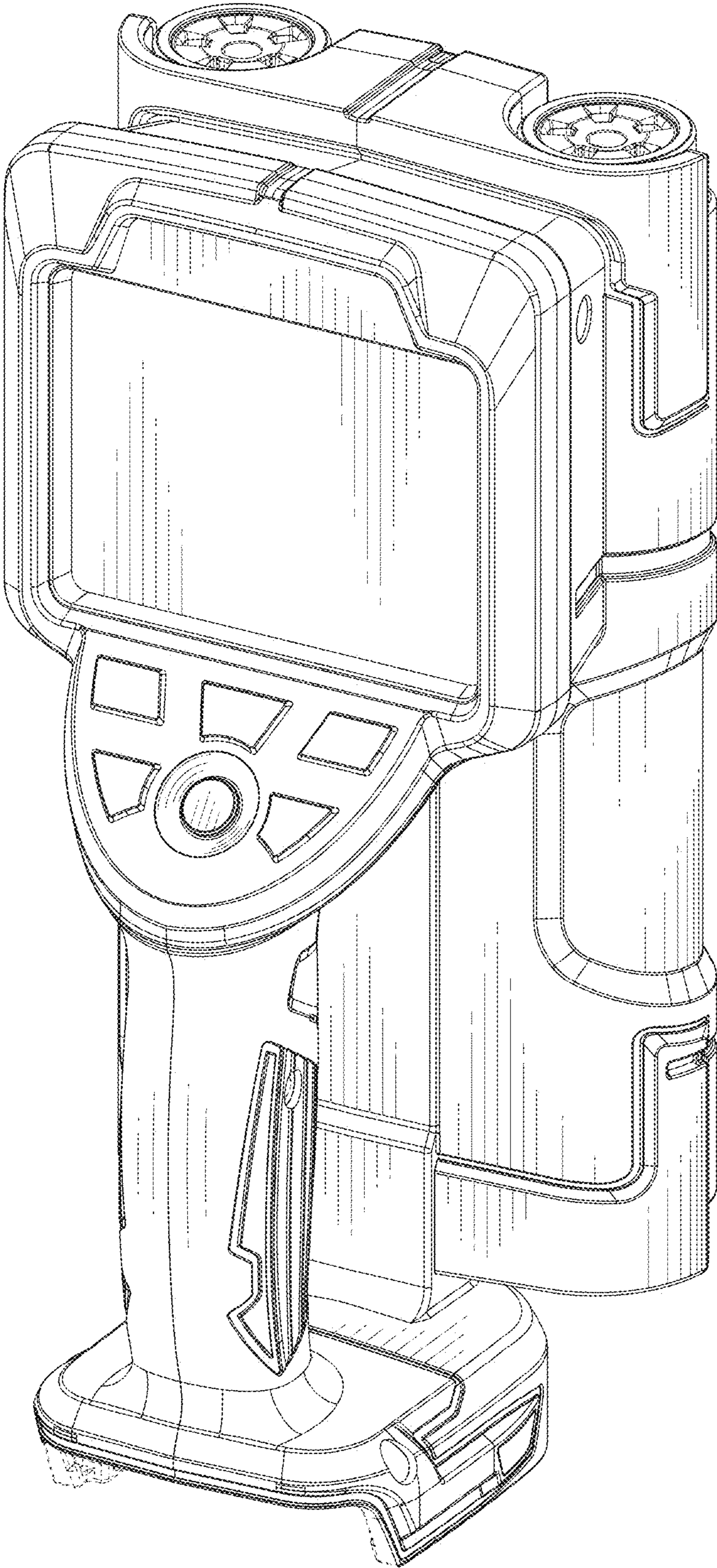
U.S. PATENT DOCUMENTS

9,082,269 B2 \* 7/2015 Olsson ..... G01V 3/081  
9,194,950 B2 \* 11/2015 Watts ..... G01V 3/10  
9,664,808 B2 \* 5/2017 Nguyen ..... H01M 10/052  
9,784,837 B1 \* 10/2017 Olsson ..... G01S 17/58  
D827,465 S \* 9/2018 Ranieri ..... G01V 3/088  
D10/78  
D867,169 S \* 11/2019 Barron ..... G01V 3/088  
D10/47

FIG. 1 is a front perspective view of a wall scanner in accordance with our new design;  
FIG. 2 is a rear perspective view of the wall scanner in accordance with our new design;  
FIG. 3 is a front elevational view of the wall scanner in accordance with our new design;  
FIG. 4 is a rear elevational view of the wall scanner in accordance with our new design;  
FIG. 5 is a top plan view of the wall scanner in accordance with our new design;  
FIG. 6 is a bottom plan view of the wall scanner in accordance with our new design;  
FIG. 7 is a right side elevational view of the wall scanner in accordance with our new design;  
FIG. 8 is a left side elevational view of the wall scanner in accordance with our new design; and,  
FIG. 9 is a front perspective view showing a state in which a battery is attached to the wall scanner in accordance with our new design.  
The broken line showing of environmental structures in the drawings forms no part of the claimed design.

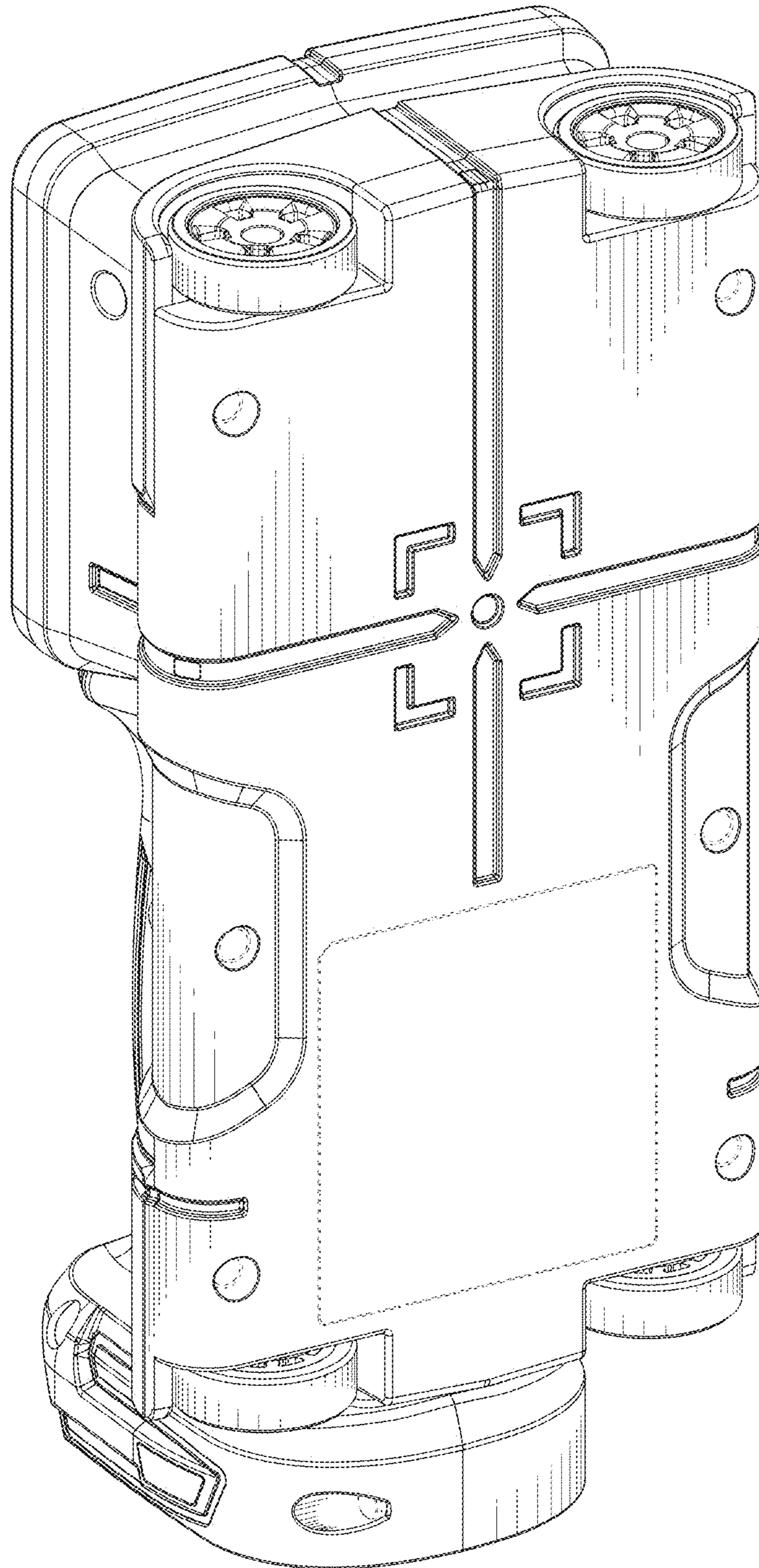
**1 Claim, 8 Drawing Sheets**



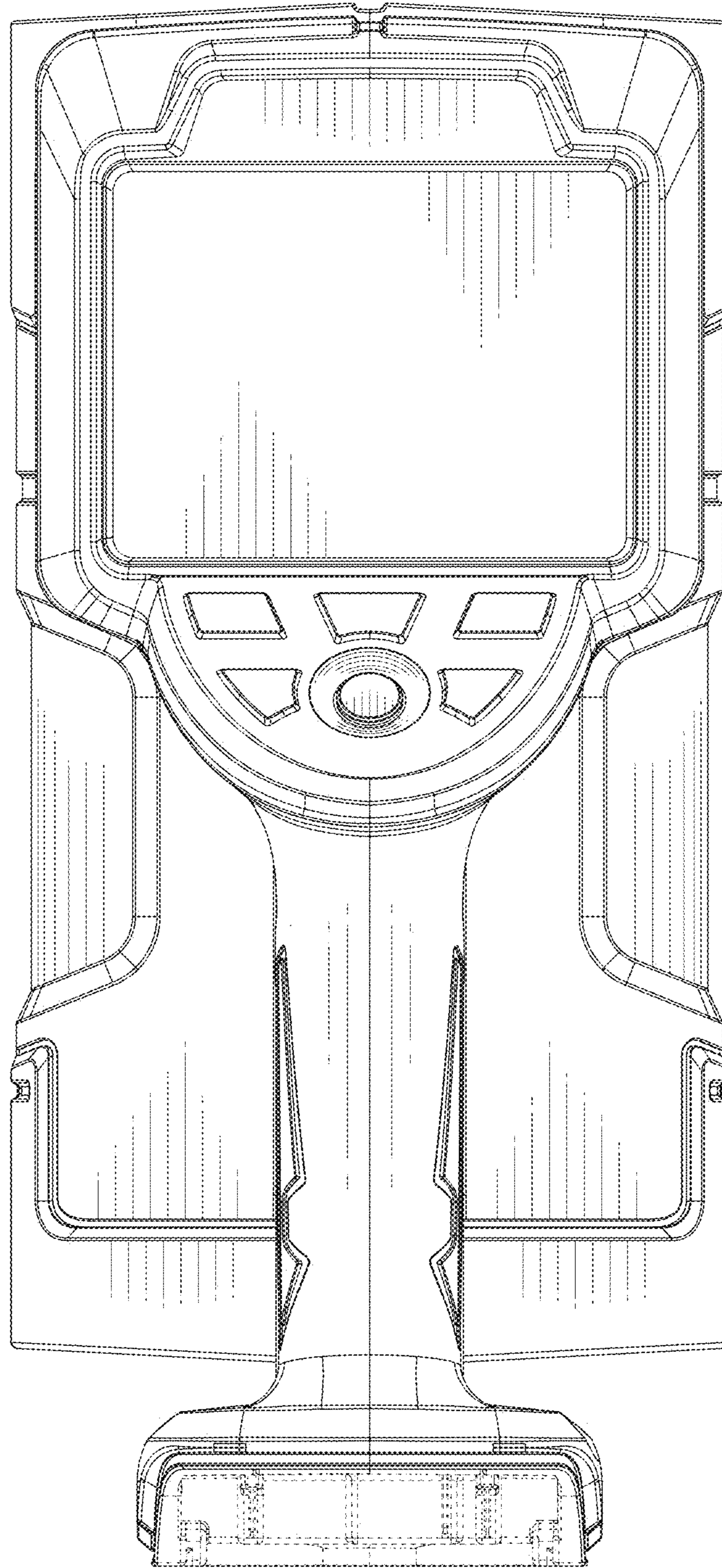


**FIG. 1**

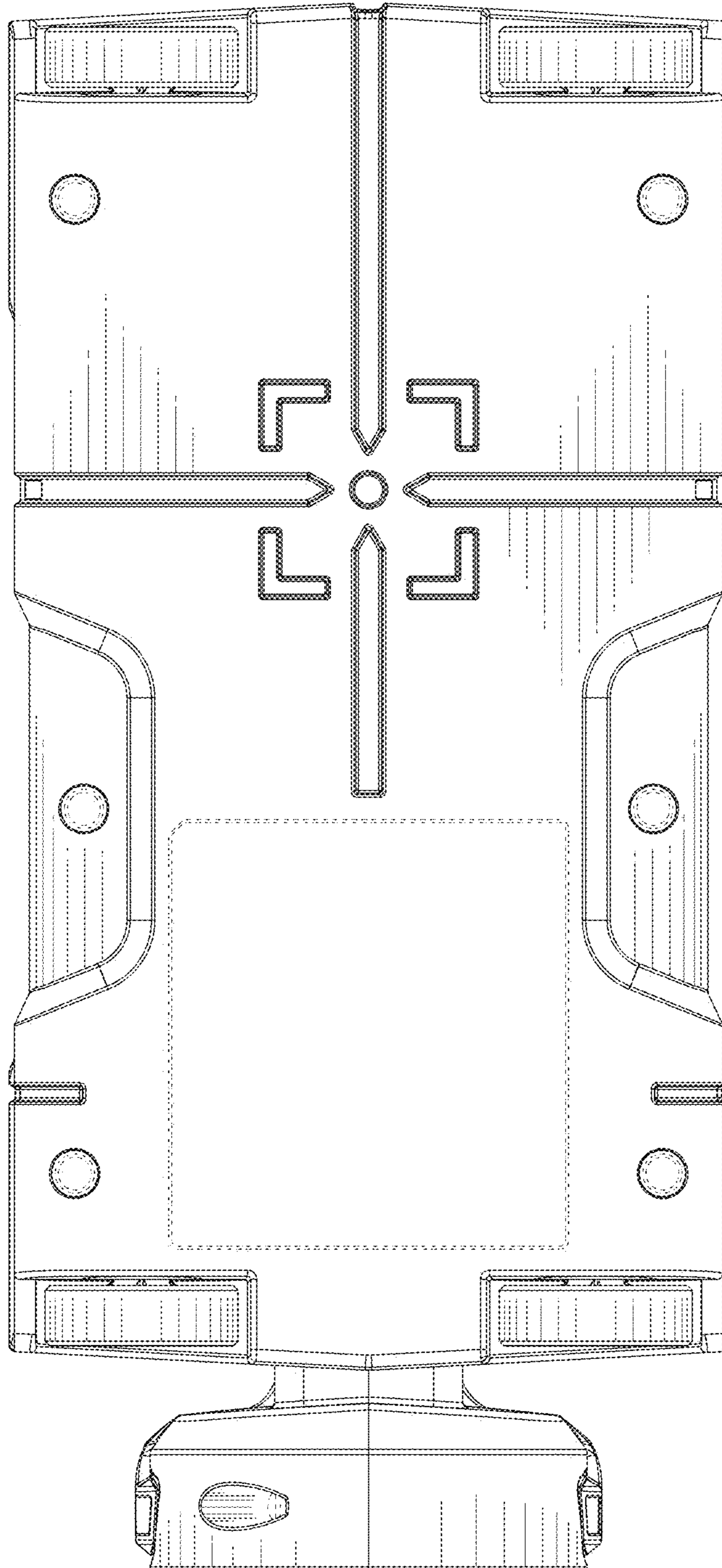




**FIG. 2**

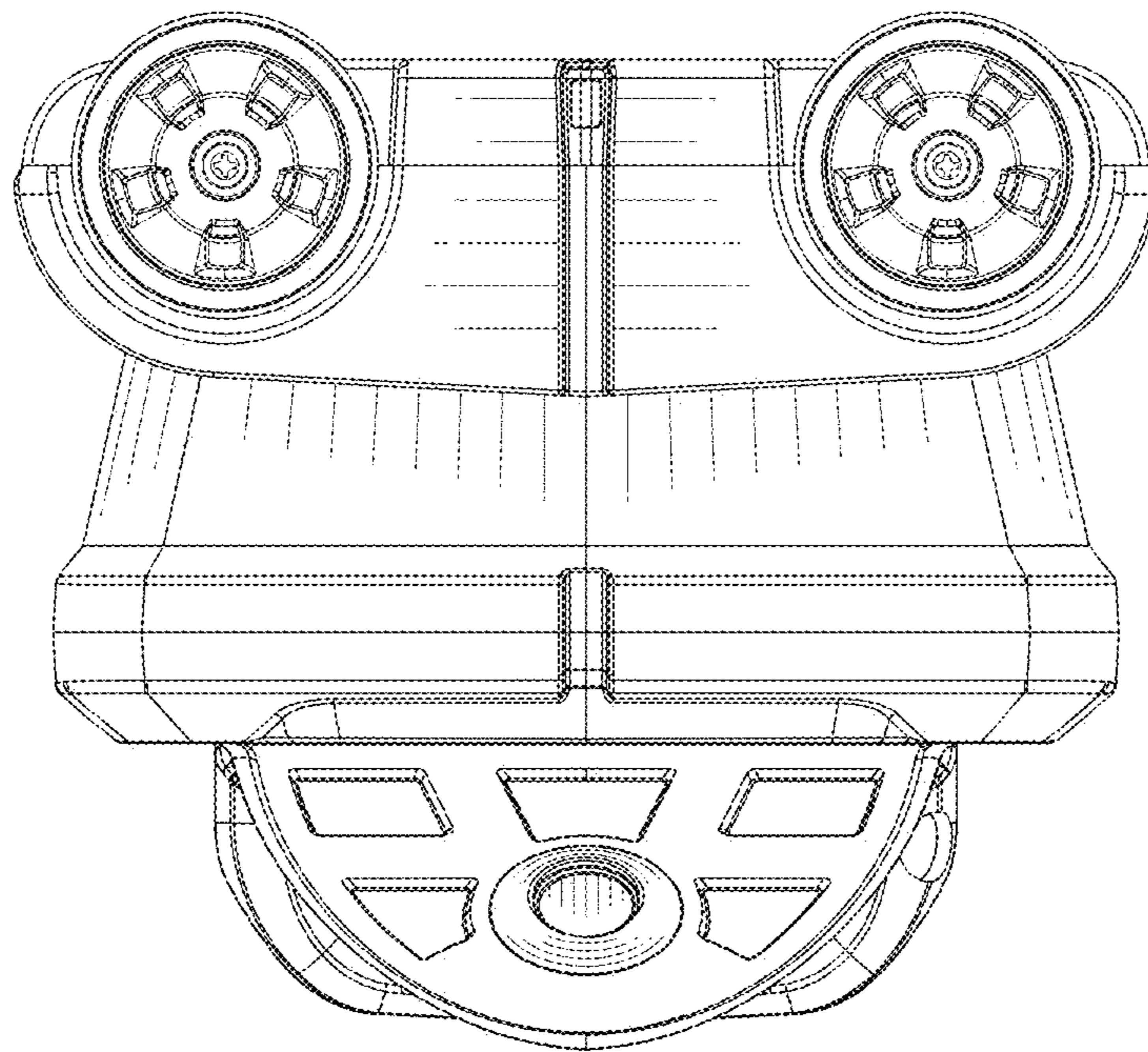


**FIG. 3**

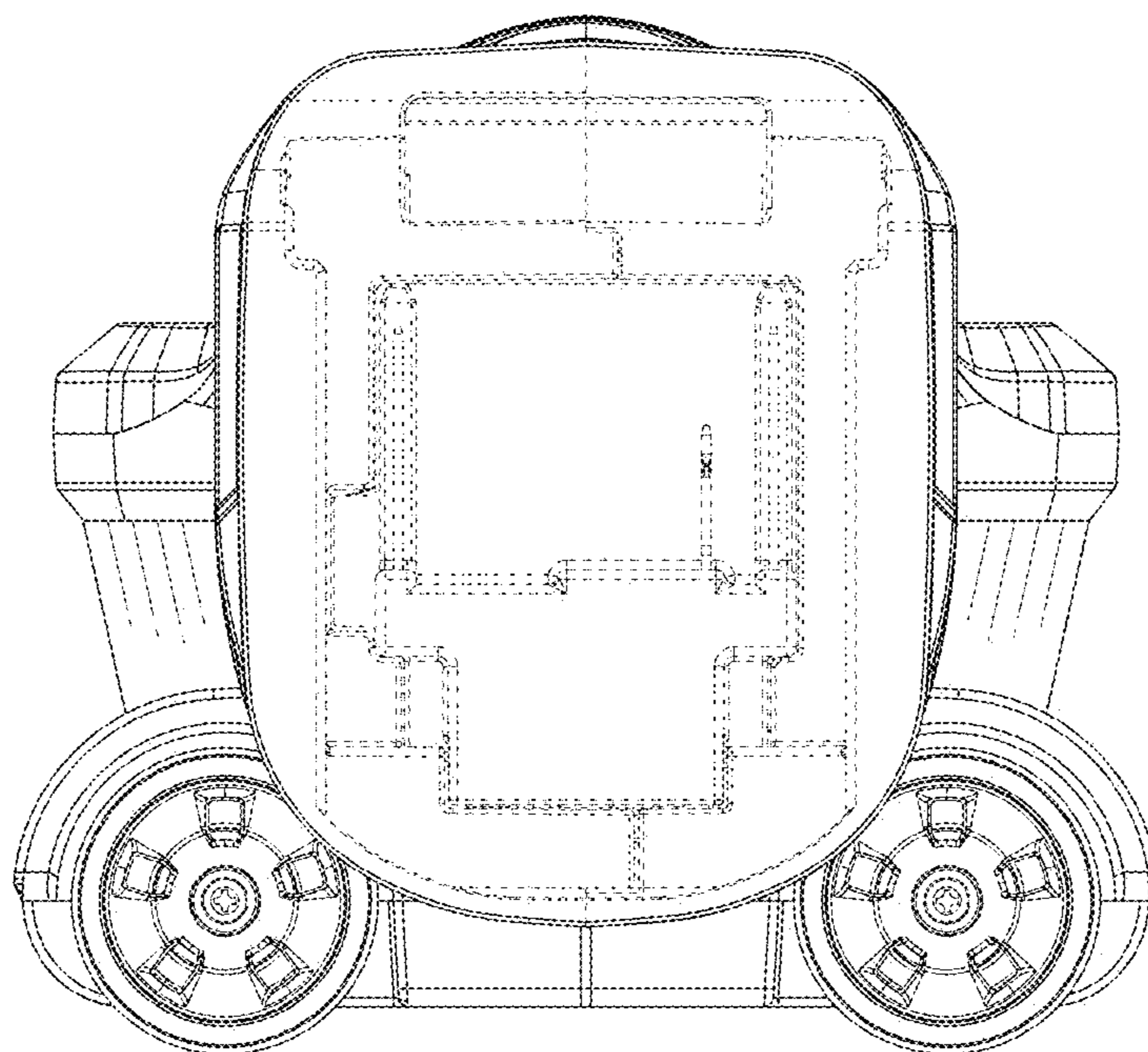


**FIG. 4**

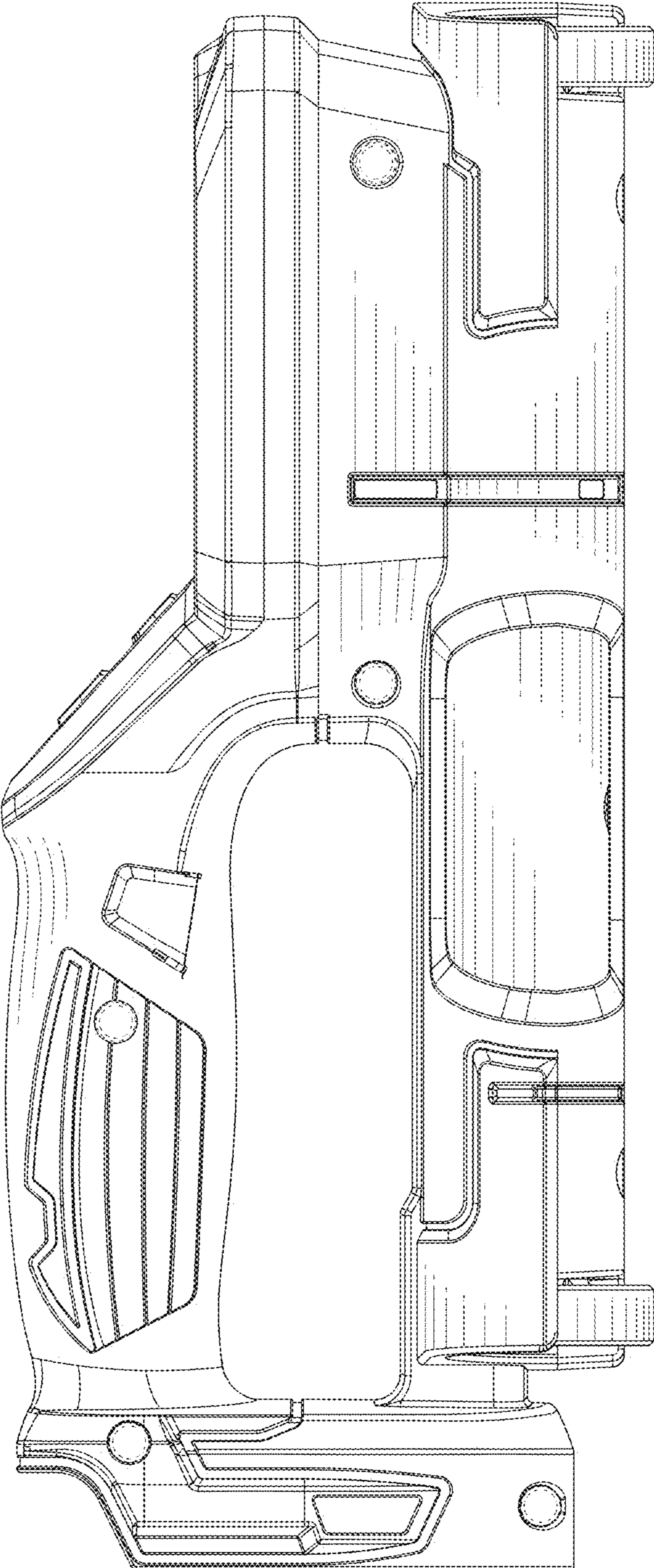




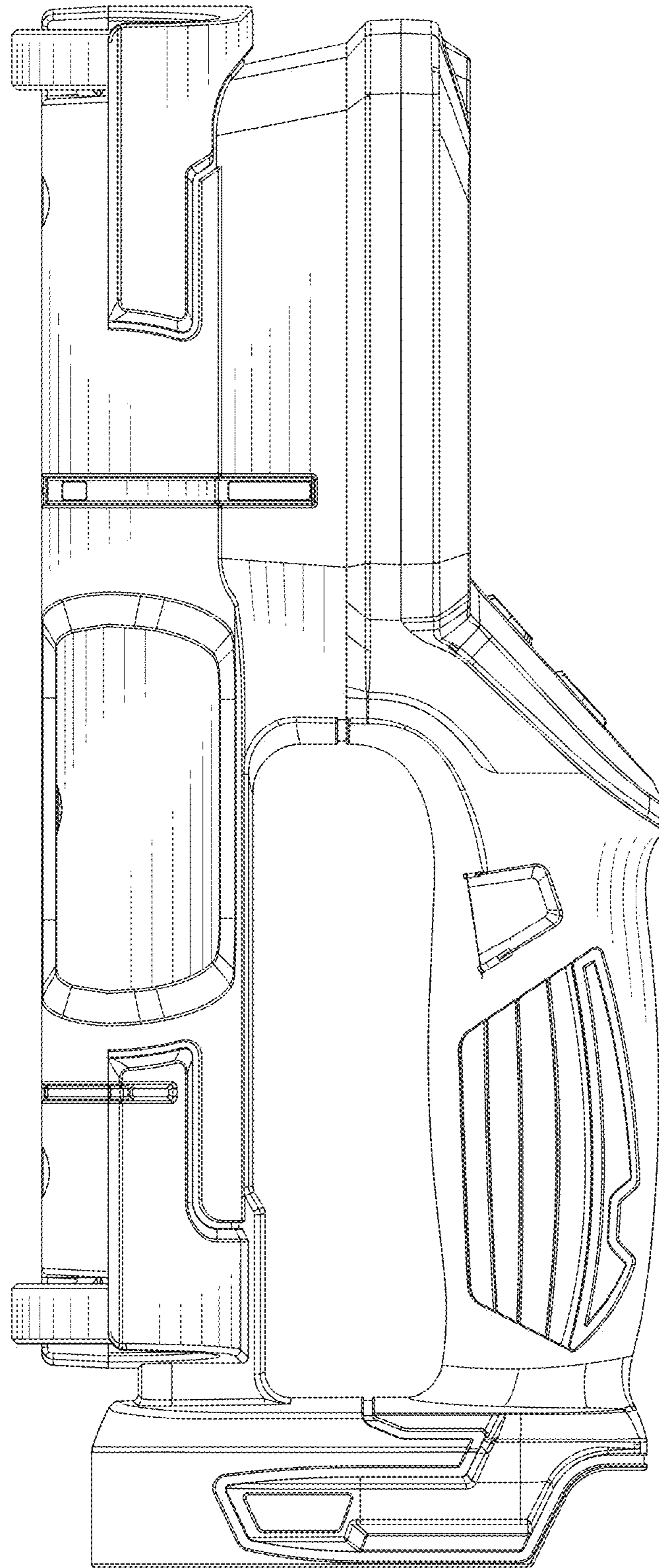
**FIG. 5**



**FIG. 6**

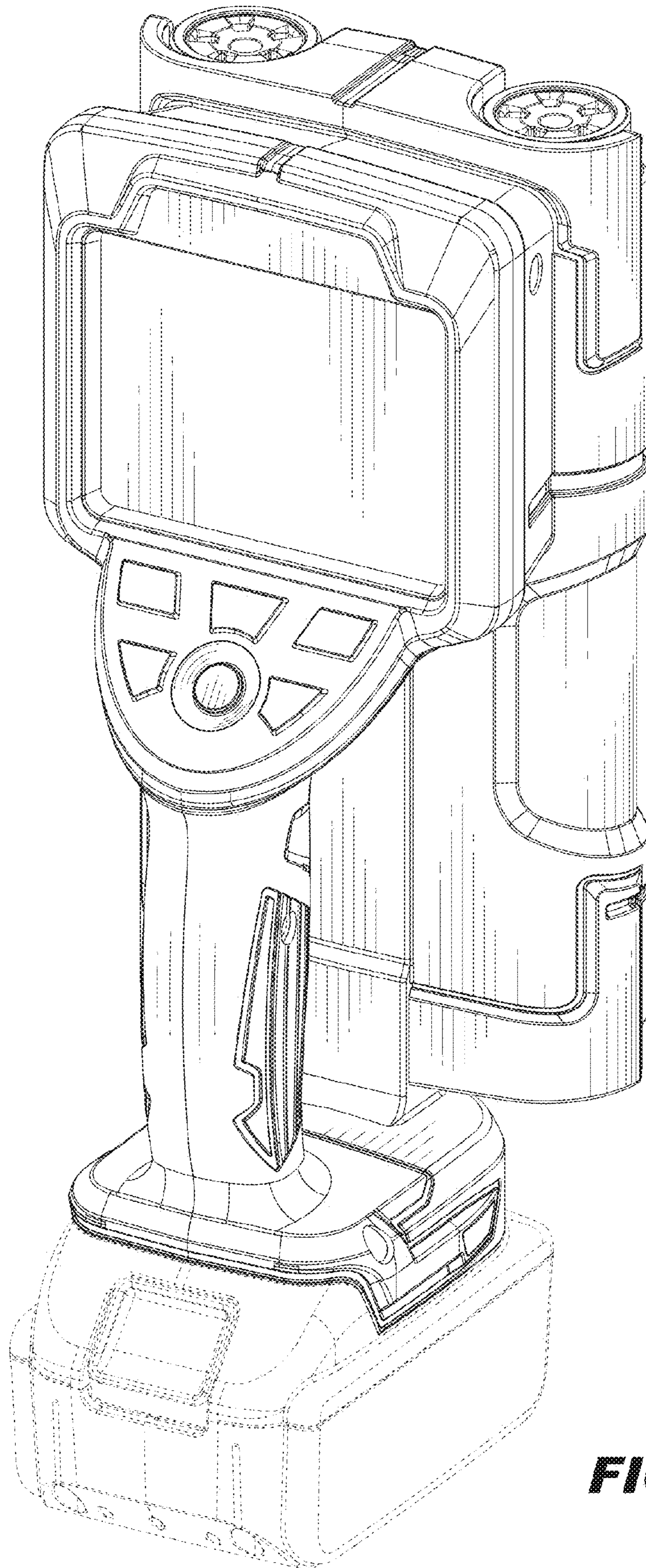


**FIG. 7**



**FIG. 8**





**FIG. 9**