



US00D935902S

(12) **United States Design Patent** (10) **Patent No.:** **US D935,902 S**
Huang et al. (45) **Date of Patent:** **** Nov. 16, 2021**

- (54) **SMART DIGITAL WATER TIMER**
- (71) Applicant: **Homgar International Inc**, Diamond Bar, CA (US)
- (72) Inventors: **Zhong Dong Huang**, Fuzhou (CN); **Xu Wei Lin**, Fuzhou (CN)
- (73) Assignee: **Homgar International Inc**, Diamond Bar, CA (US)
- (**) Term: **15 Years**
- (21) Appl. No.: **29/713,998**
- (22) Filed: **Nov. 20, 2019**
- (51) **LOC (13) Cl.** **10-03**
- (52) **U.S. Cl.**
USPC **D10/40**
- (58) **Field of Classification Search**
USPC D10/40-41, 46, 46.1, 49, 50, 96;
D13/162, 162.1, 164, 168, 171, 177
CPC A01G 25/16; A01G 25/25; A01G 27/003;
Y10T 137/86389; Y10T 137/86397
See application file for complete search history.

- D779,343 S * 2/2017 Ericksen D10/40
- 9,581,264 B1 * 2/2017 Ericksen A01G 25/16
- D781,160 S * 3/2017 Ericksen D10/40
- D857,529 S * 8/2019 Rodriguez D10/49
- D899,945 S * 10/2020 Wang D10/40
- 2006/0011243 A1 * 1/2006 Jacobs A01G 25/165
137/624.11
- 2008/0255708 A1 * 10/2008 Nies A01G 25/167
700/284

OTHER PUBLICATIONS

Rainpoint Sprinkler Timer Digital Water Timer | amazon.com; date first avail. Apr. 2020 [online]. © 1996-2020, Amazon.com, Inc [retrieved Dec. 17, 2020] from Internet: <<https://www.amazon.com/RAINPOINT-Sprinkler-Programmable-Irrigation-Controller/dp/B0876X6WRX>> (Year: 2020).*

* cited by examiner

Primary Examiner — Katherine Glennon
(74) *Attorney, Agent, or Firm* — Bay State IP, LLC

(57) **CLAIM**

The ornamental design for a smart digital water timer, as shown and described.

DESCRIPTION

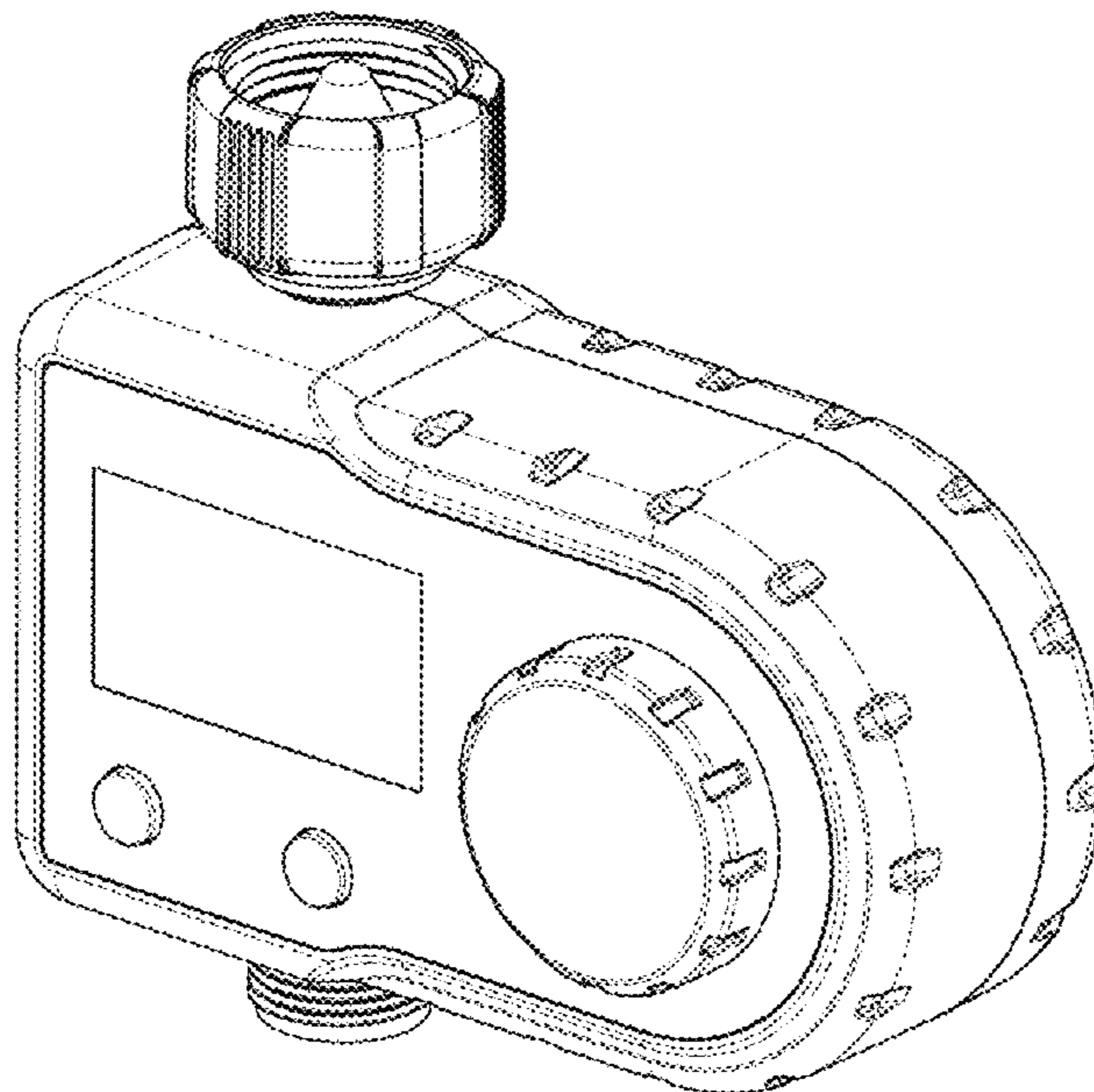
FIG. 1 is a front perspective view of a smart digital water timer showing our new design;
FIG. 2 is a front view thereof;
FIG. 3 is a back view thereof;
FIG. 4 is a left side view thereof;
FIG. 5 is a right side view thereof;
FIG. 6 is a top view thereof; and,
FIG. 7 is a bottom view thereof.
The broken lines in FIGS. 3 and 7 form no part of the claimed design.

1 Claim, 6 Drawing Sheets

(56) **References Cited**

U.S. PATENT DOCUMENTS

- 6,397,888 B1 * 6/2002 Wang A01G 25/165
137/624.12
- D567,680 S * 4/2008 Michael D10/40
- D643,755 S * 8/2011 Nies D10/40
- D647,411 S * 10/2011 Barton D10/40
- D657,263 S * 4/2012 Nies D10/40
- D657,264 S * 4/2012 Nies D10/40
- D671,847 S * 12/2012 Chandran D10/40
- D682,714 S * 5/2013 Barton D10/40
- D713,271 S * 9/2014 Ericksen A01G 25/165
D10/40
- D778,738 S * 2/2017 Ericksen D10/40



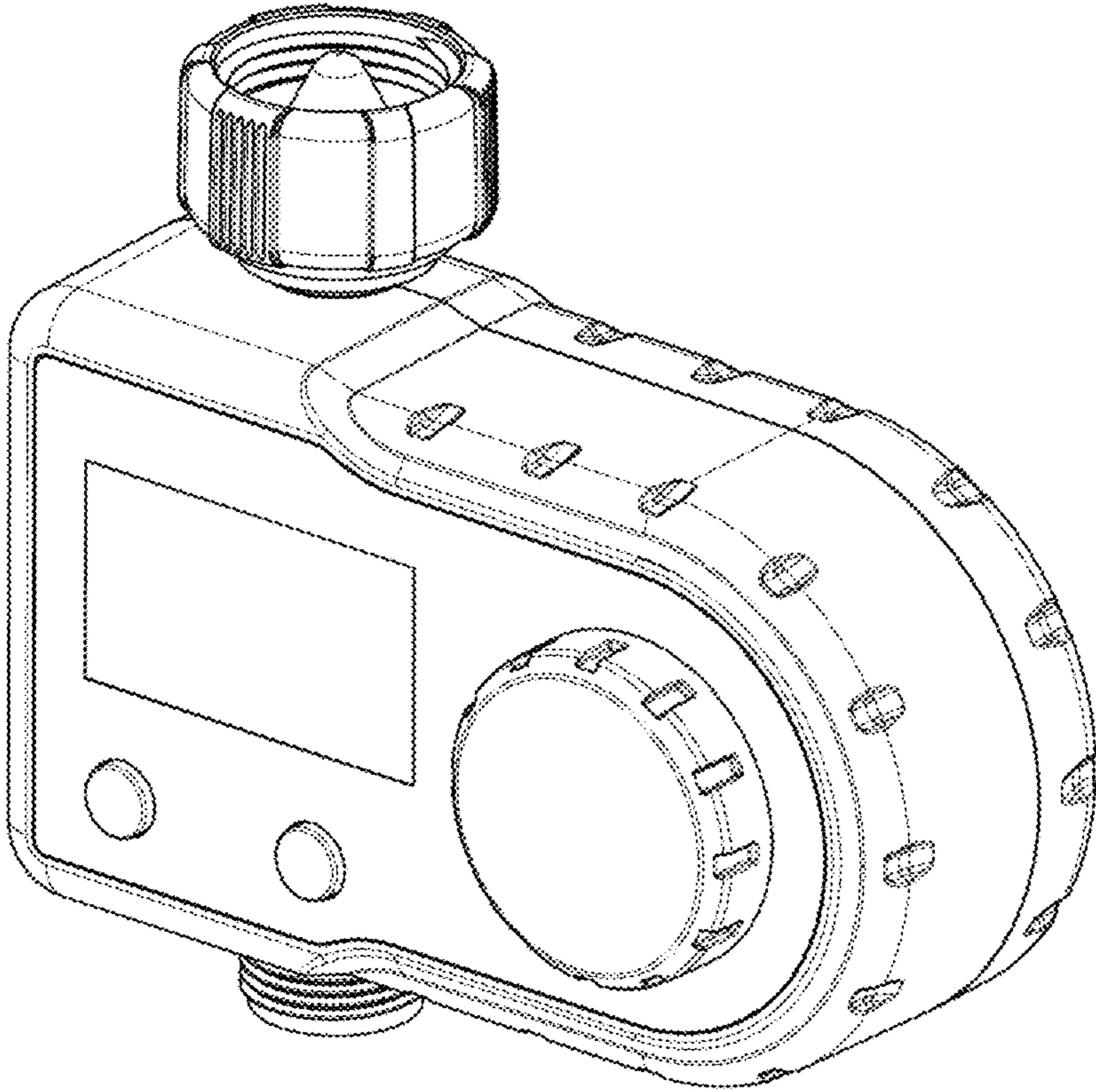


FIG. 1

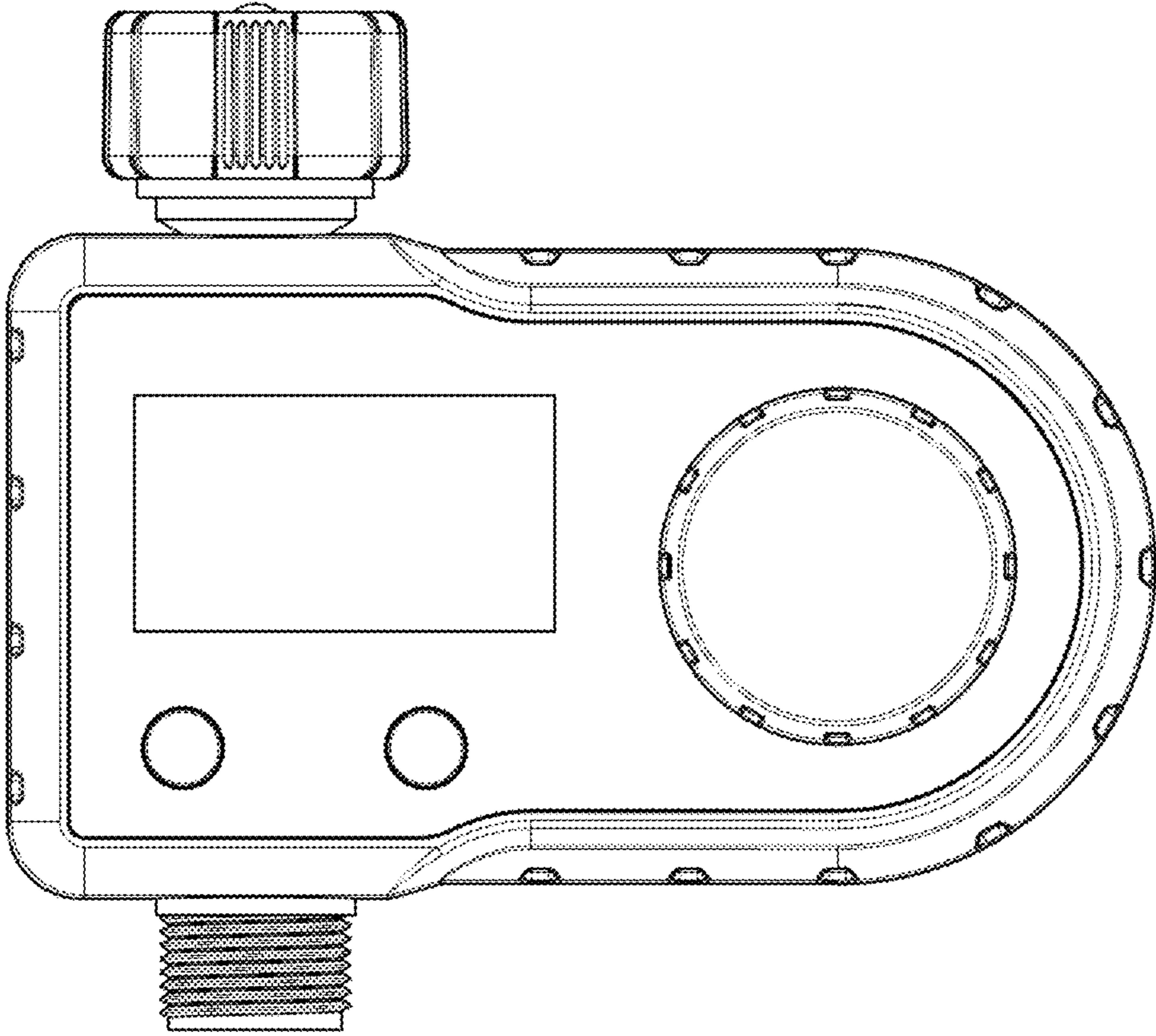


FIG. 2

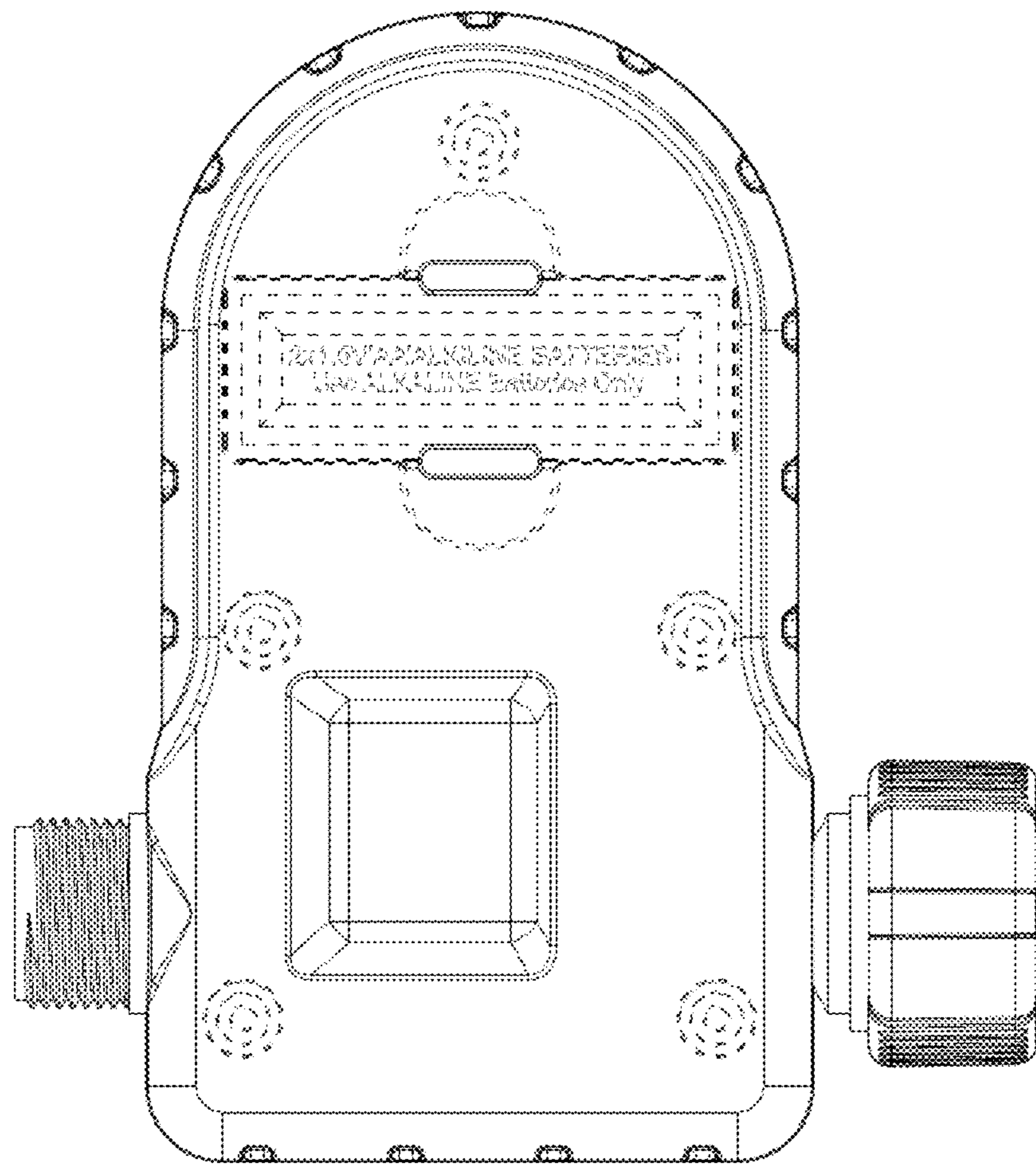


FIG. 3

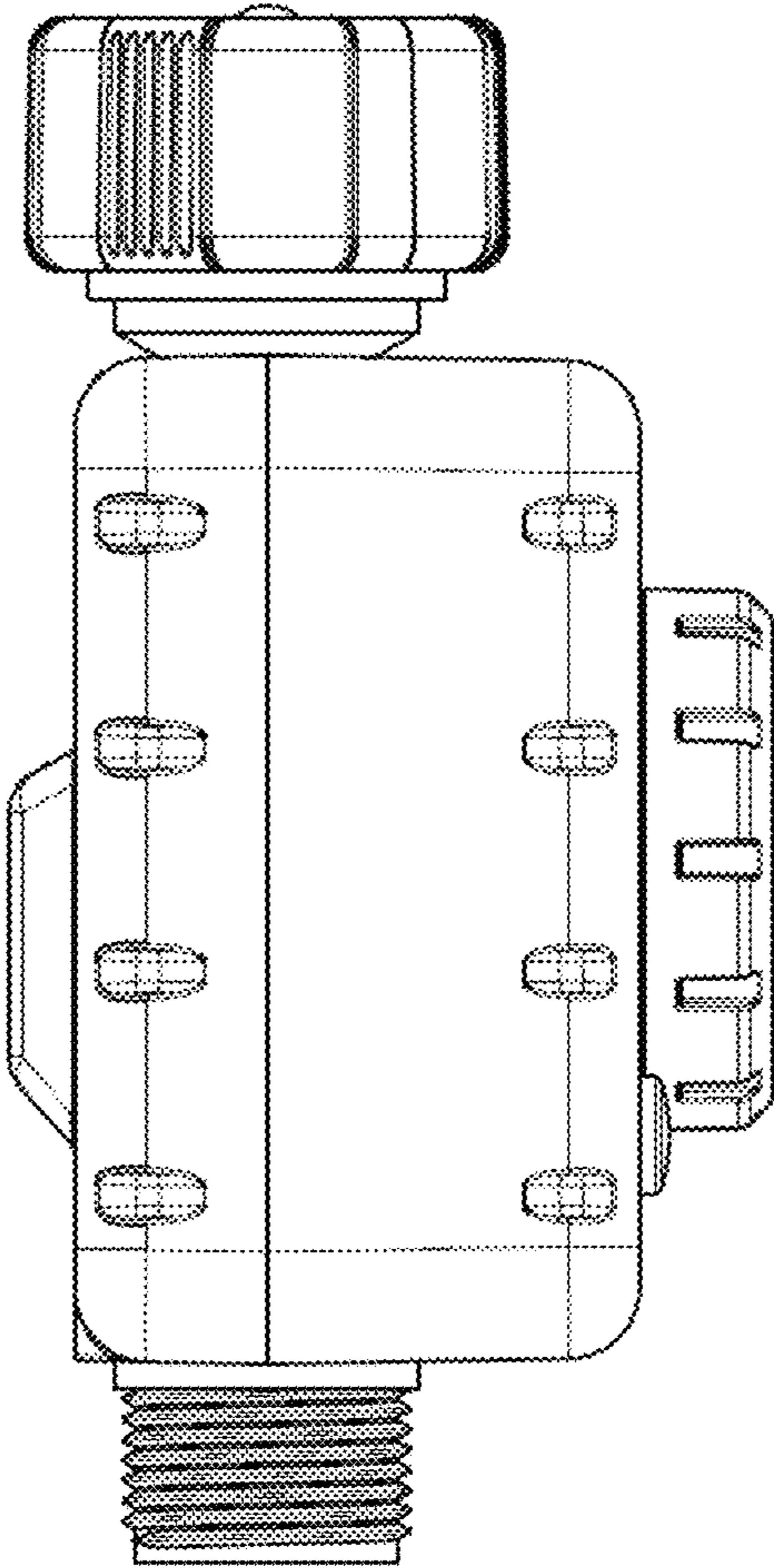


FIG. 4

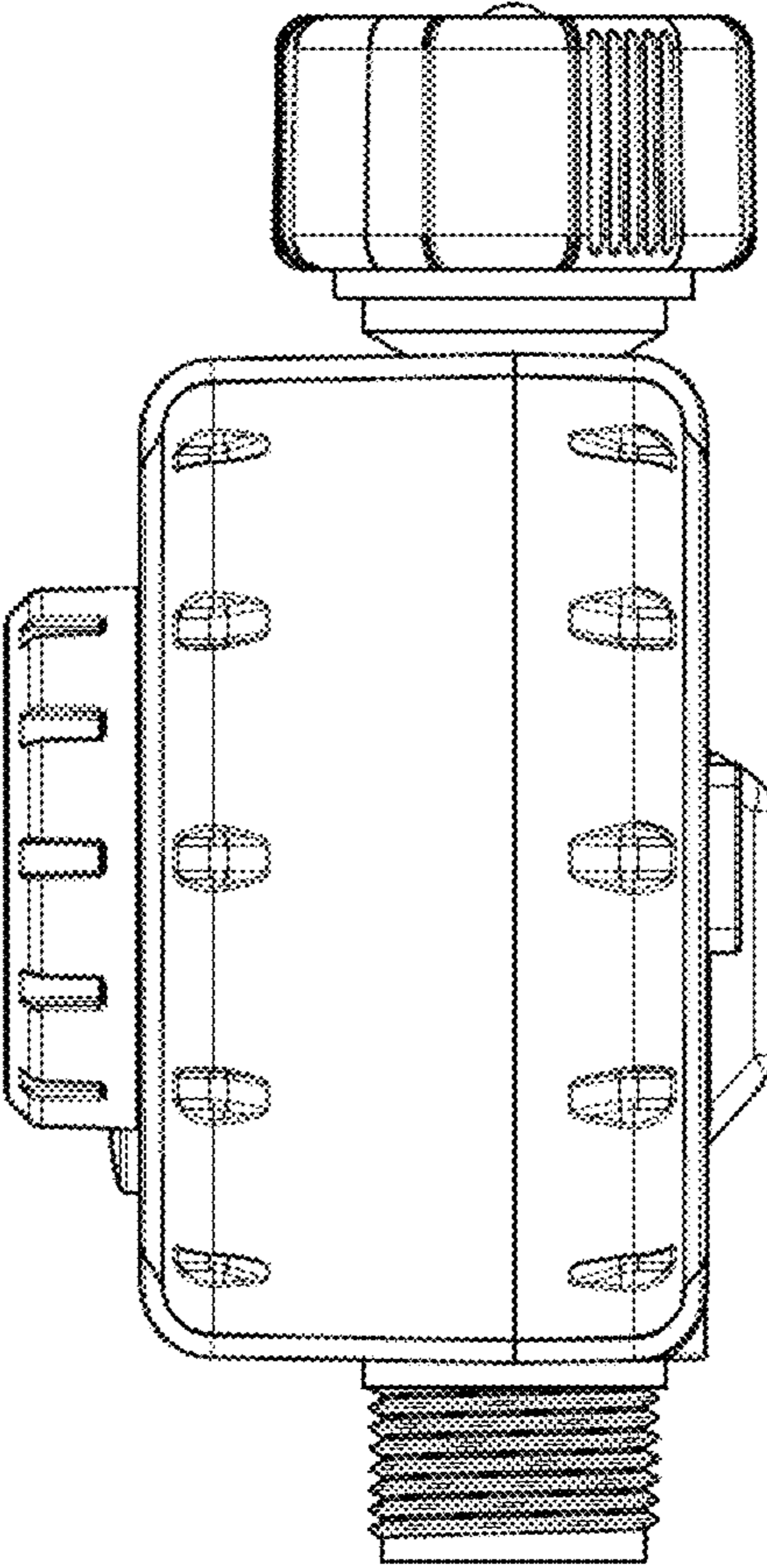


FIG. 5

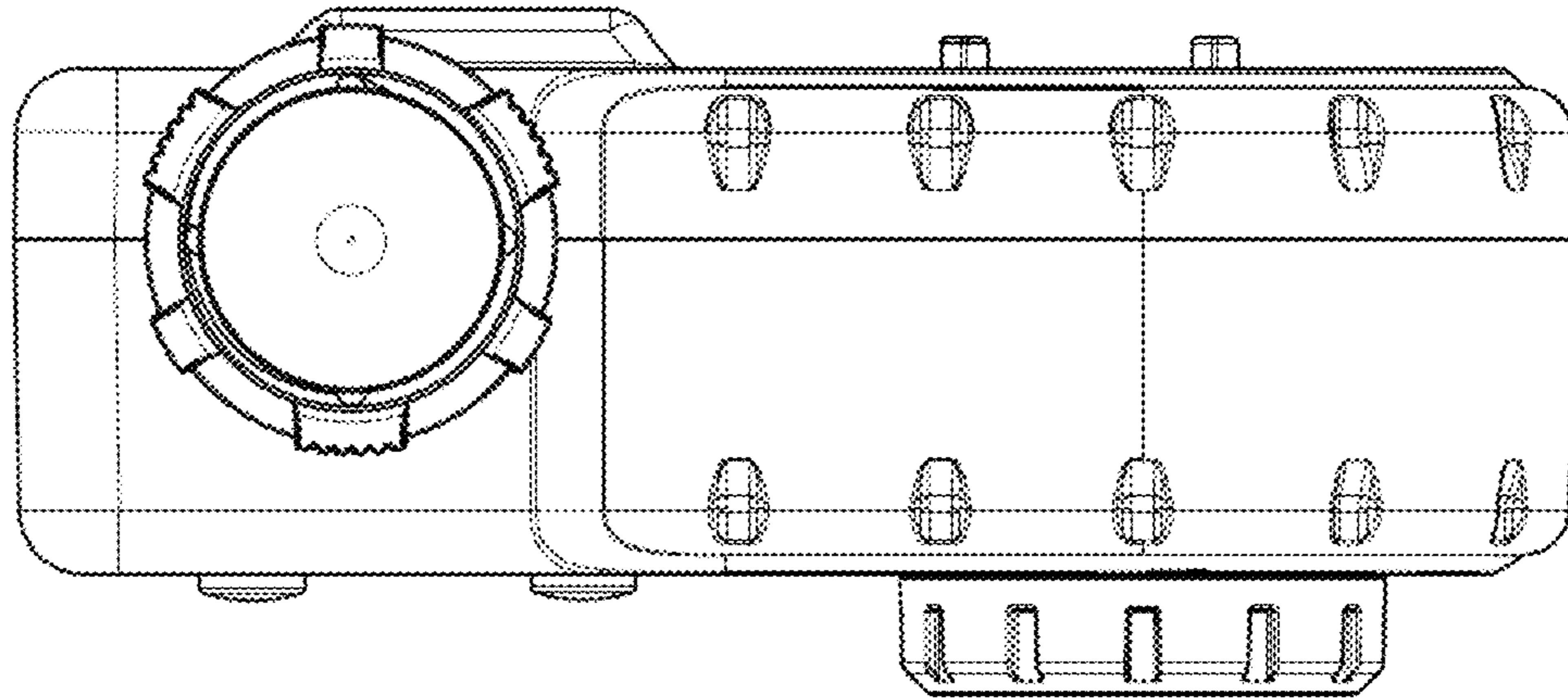


FIG. 6

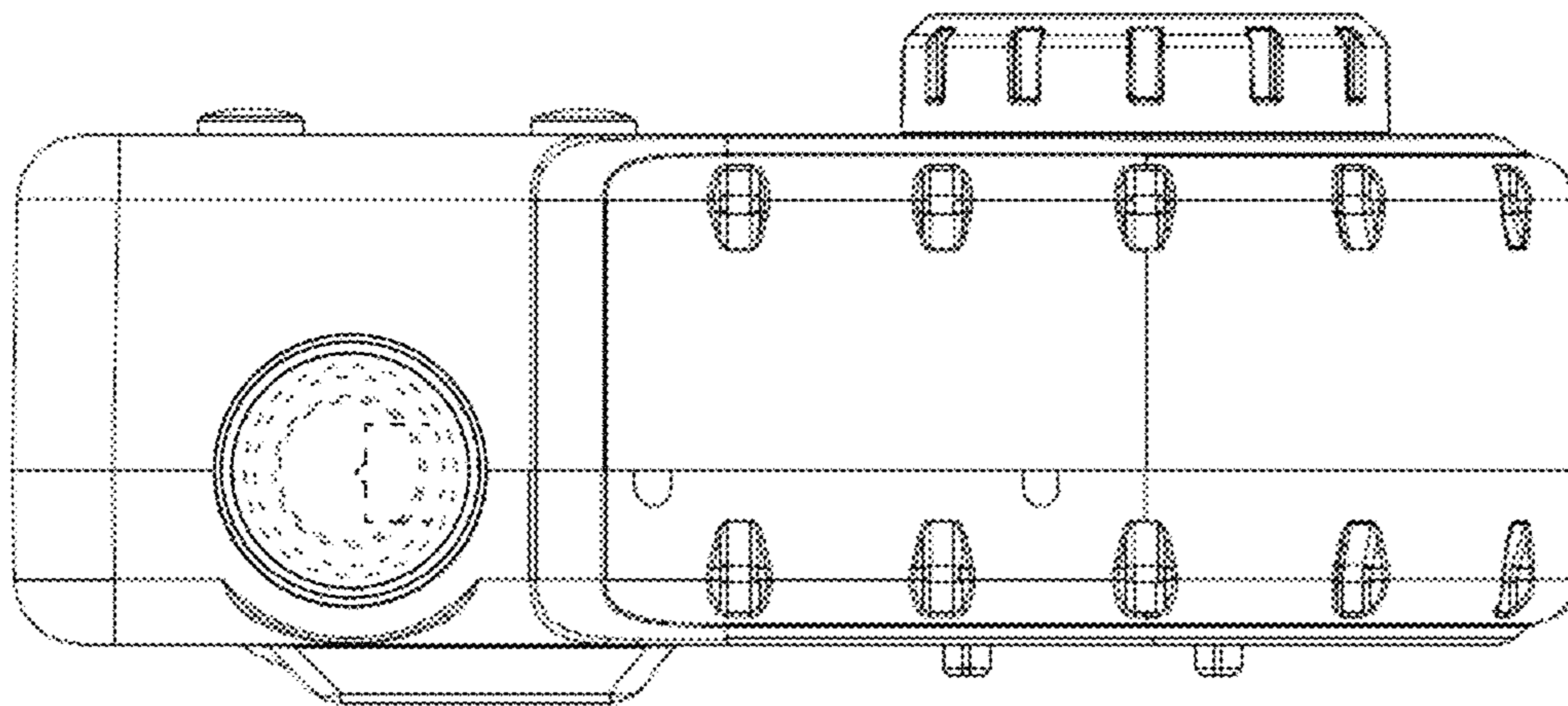


FIG. 7