



US00D935901S

(12) **United States Design Patent** (10) **Patent No.:** **US D935,901 S**  
**Duport** (45) **Date of Patent:** **\*\* Nov. 16, 2021**

(54) **WRIST WATCH**  
(71) Applicant: **Hamilton International AG (Hamilton International SA) (Hamilton International Ltd.)**, Biel/Bienne (CH)  
(72) Inventor: **Fabrice Duport**, Neuchatel (CH)  
(73) Assignee: **Hamilton International AG (Hamilton International SA)(Hamilton International Ltd.)**, Biel/Bienne (CH)

D361,529 S \* 8/1995 Sakai ..... D10/30  
D524,677 S \* 7/2006 Nataf ..... D10/126  
D645,361 S \* 9/2011 Parmigiani ..... D10/38  
D671,429 S \* 11/2012 Parmigiani ..... D10/38  
D709,389 S \* 7/2014 Monachon ..... D10/39  
D725,499 S \* 3/2015 Belamich ..... D10/39  
D734,173 S \* 7/2015 Behling ..... D10/30  
D781,720 S \* 3/2017 Duport ..... D10/32  
D821,906 S \* 7/2018 Parmigiani ..... D10/126  
D826,070 S \* 8/2018 Parmigiani ..... D10/30  
D835,522 S \* 12/2018 Dietrich ..... D10/32  
D847,665 S \* 5/2019 Behling ..... D10/39  
D890,012 S \* 7/2020 Stegmann ..... D10/126  
2020/0301363 A1 \* 9/2020 Fiammingo ..... G04B 19/10

(\*\*) Term: **15 Years**

(21) Appl. No.: **29/738,118**

(22) Filed: **Jun. 15, 2020**

(30) **Foreign Application Priority Data**

Dec. 16, 2019 (WO) ..... WIPO90342

(51) **LOC (13) Cl.** ..... **10-02**

(52) **U.S. Cl.**  
USPC ..... **D10/39**

(58) **Field of Classification Search**  
USPC ..... D10/30-39, 122-128; D11/3  
CPC ..... G04B 19/06; G04B 19/08; G04B 19/085;  
G04B 19/10; G04B 19/103; G04B  
19/106; G04B 19/26; G04B 19/268;  
G04B 45/00; G04B 45/0069; G04B  
45/0076; G04B 45/0084

See application file for complete search history.

(56) **References Cited**

**U.S. PATENT DOCUMENTS**

1,997,511 A \* 4/1935 Canepa ..... G04B 19/268  
368/18  
D254,900 S \* 5/1980 Oppliger ..... D10/37  
D323,124 S \* 1/1992 Osawa ..... D10/30  
D326,419 S \* 5/1992 Bulgari ..... D10/39

**OTHER PUBLICATIONS**

Hamilton Jazzmaster Open Heart Review | watchesyoucanafford.com; posted Jul. 2013 [online], © watchesyoucanafford.com [retrieved Sep. 10, 2021] from Internet: <https://watchesyoucanafford.com/hamilton-jazzmaster-open-heart-review/> (Year: 2013).\*

\* cited by examiner

*Primary Examiner* — Katherine Glennon  
(74) *Attorney, Agent, or Firm* — Blank Rome LLP

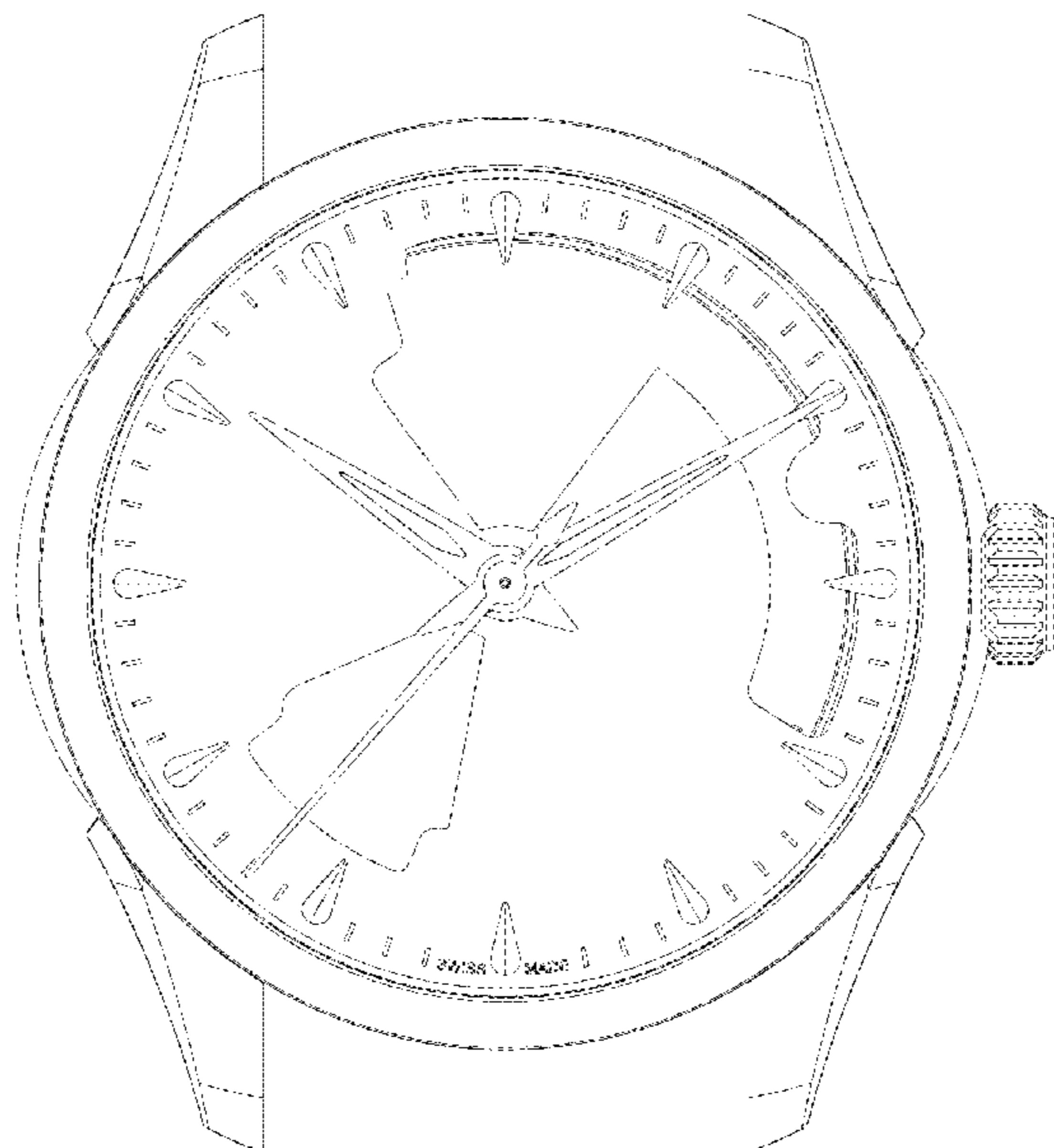
(57) **CLAIM**

The ornamental design for a wrist watch, as shown and described.

**DESCRIPTION**

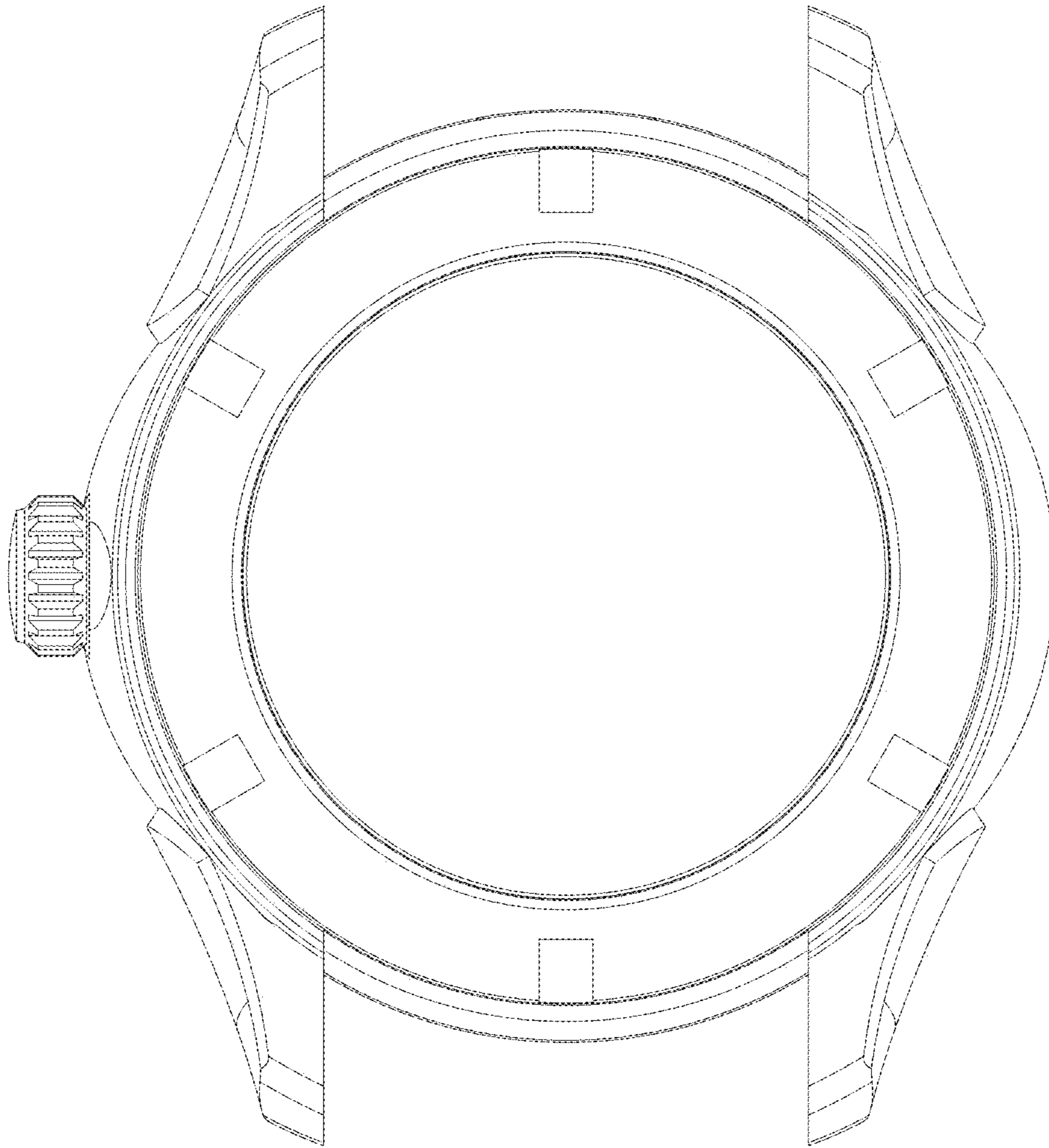
FIG. 1 is a front view of a wrist watch of the present design; FIG. 2 is a rear view thereof; FIG. 3 is a right side view thereof; FIG. 4 is a left side view thereof; FIG. 5 is a top view thereof; FIG. 6 is a bottom view thereof; FIG. 7 is a front right perspective view thereof; and, FIG. 8 is a rear right perspective view thereof.

**1 Claim, 8 Drawing Sheets**

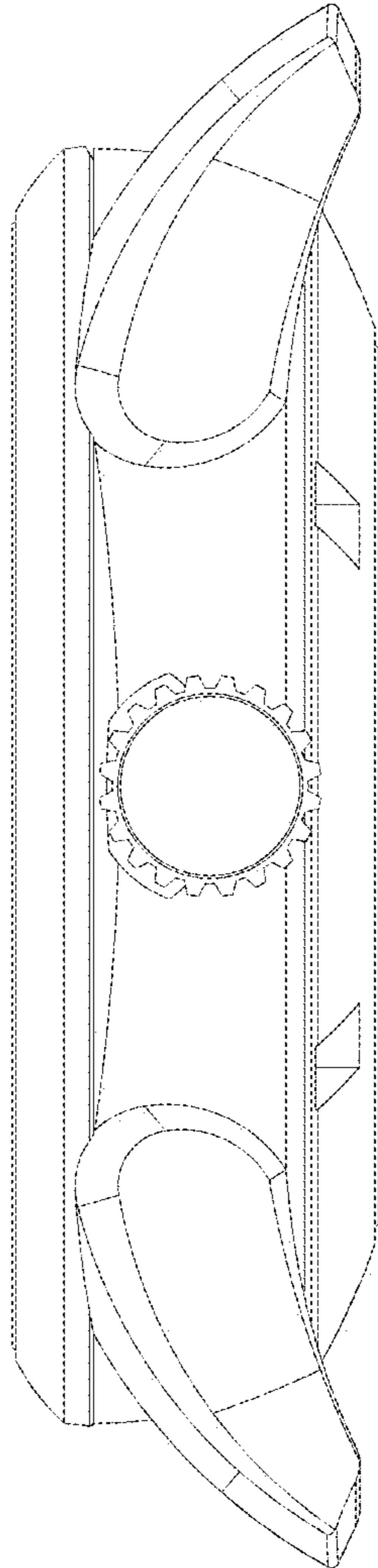




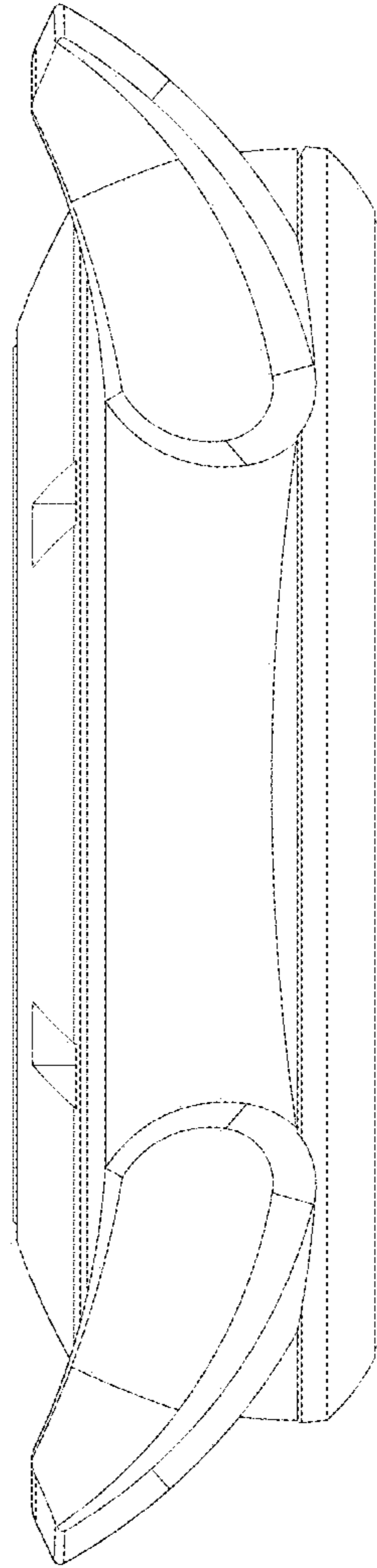
**FIG. 1**



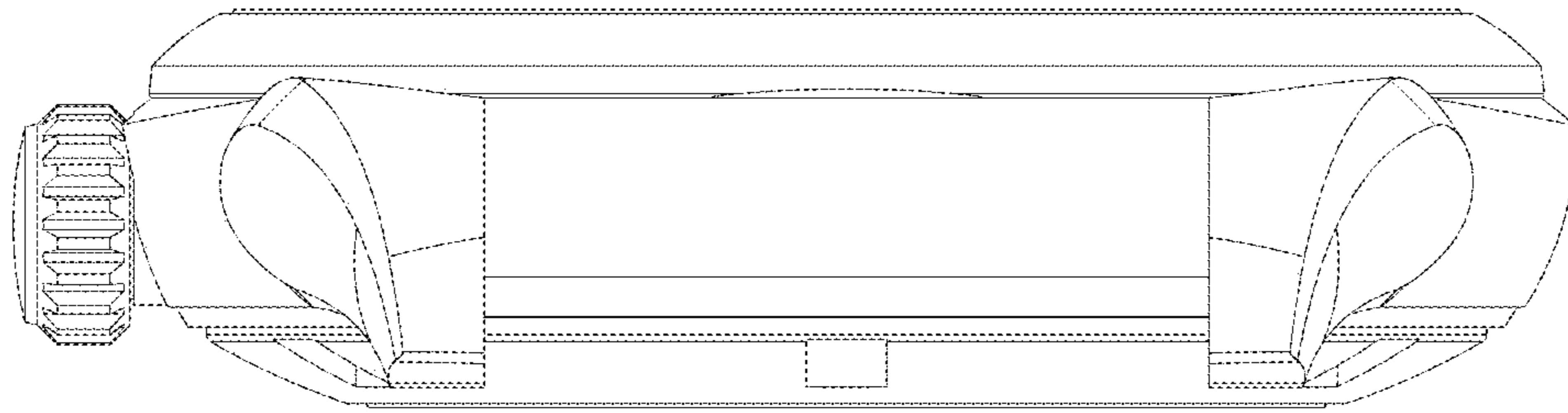
**FIG. 2**



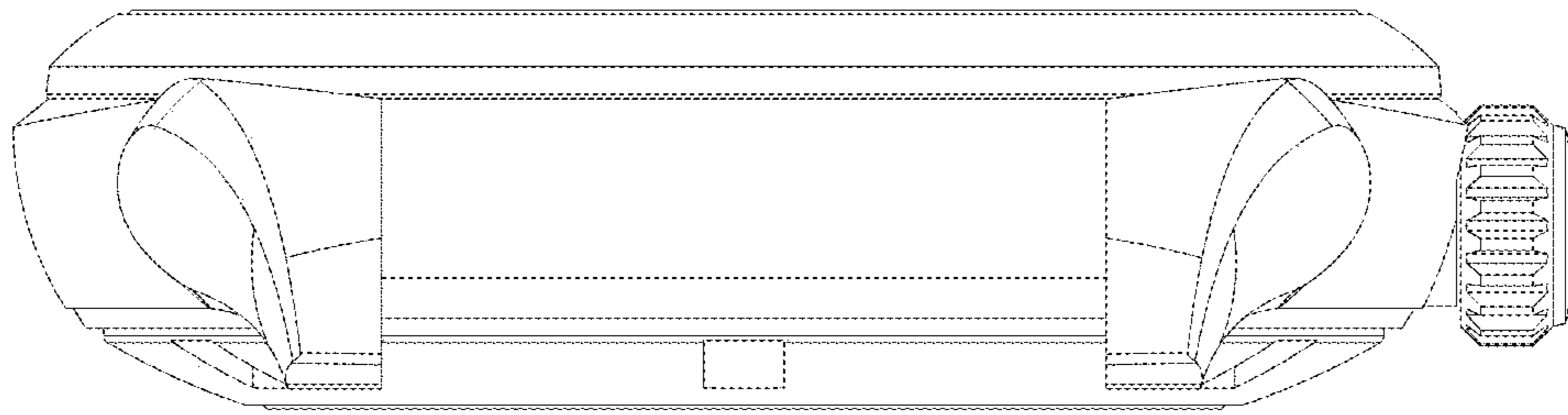
**FIG. 3**



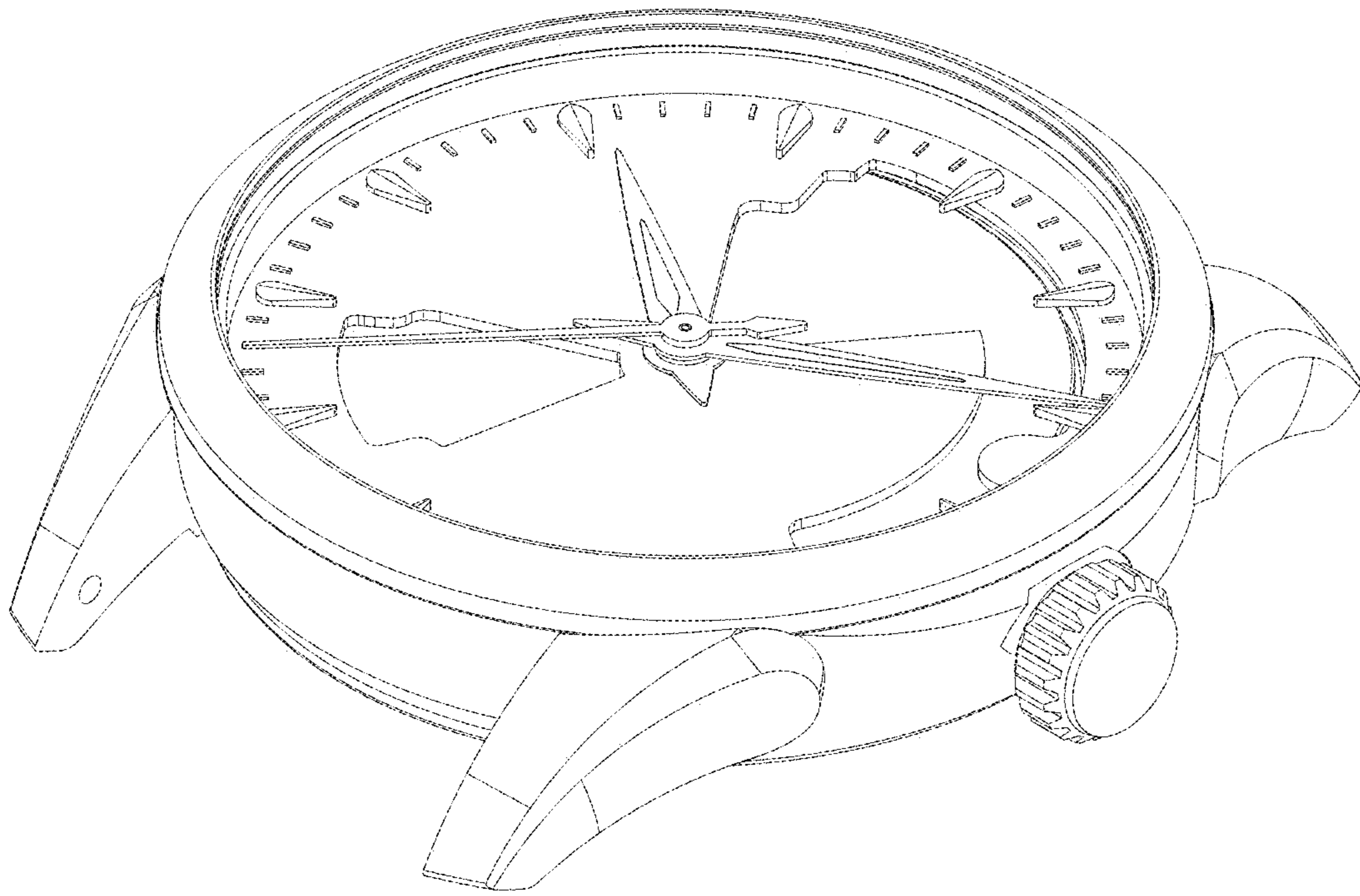
**FIG. 4**



**FIG. 5**

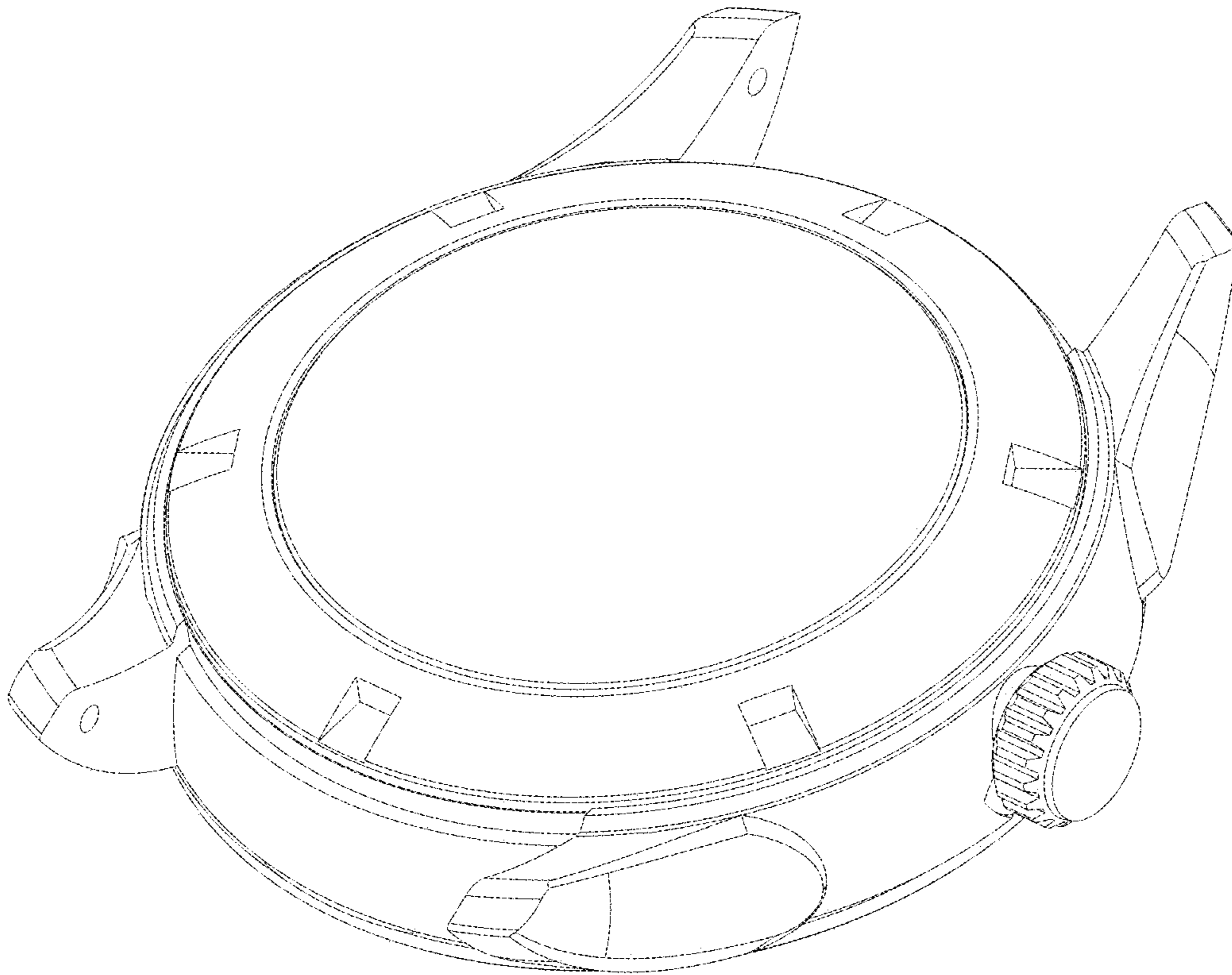


**FIG. 6**



**FIG. 7**





**FIG. 8**