



US00D935900S

(12) **United States Design Patent** (10) **Patent No.:** **US D935,900 S**
Soares (45) **Date of Patent:** **** Nov. 16, 2021**

(54) **WRIST WATCH**

(71) Applicant: **Hamilton International Ltd.,**
Biel/Bienne (CH)

(72) Inventor: **Fernando Soares, Wavre (CH)**

(73) Assignee: **Hamilton International Ltd.,**
Biel/Bienne (CH)

(**) Term: **15 Years**

(21) Appl. No.: **29/738,116**

(22) Filed: **Jun. 15, 2020**

(30) **Foreign Application Priority Data**

Dec. 16, 2019 (WO) WIPO90342

(51) **LOC (13) Cl.** **10-02**

(52) **U.S. Cl.**
USPC **D10/39**

(58) **Field of Classification Search**
USPC D10/30-39, 122-128; D11/3, 12
CPC G04B 19/06; G04B 19/08; G04B 19/085;
G04B 19/10; G04B 19/103; G04B
19/106; G04B 19/26; G04B 19/268;
G04B 45/00; G04B 45/0069; G04B
45/0076; G04B 45/0084

See application file for complete search history.

(56) **References Cited**

U.S. PATENT DOCUMENTS

D627,250 S * 11/2010 Dias D10/129
D645,361 S * 9/2011 Parmigiani D10/38

D671,429 S * 11/2012 Parmigiani D10/38
D692,778 S * 11/2013 Duport D10/39
D725,498 S * 3/2015 Belamich D10/39
D762,493 S * 8/2016 Galli D10/39
D797,578 S * 9/2017 Modolo D10/39
D821,906 S * 7/2018 Parmigiani D10/126
D826,070 S * 8/2018 Parmigiani D10/30
D847,665 S * 5/2019 Behling D10/39
D858,316 S * 9/2019 Behling D10/39
D879,623 S * 3/2020 Behling D10/38
D879,641 S * 3/2020 Behling D10/126
D918,060 S * 5/2021 Duport D10/39
2017/0031321 A1 * 2/2017 Buttet G04B 37/22
2020/0264563 A1 * 8/2020 Chan G06Q 20/321

* cited by examiner

Primary Examiner — Katherine Glennon

(74) Attorney, Agent, or Firm — Blank Rome LLP

(57) **CLAIM**

The ornamental design for a wrist watch, as shown and described.

DESCRIPTION

FIG. 1 is a front view of a wrist watch of the present design;
FIG. 2 is a rear view thereof;
FIG. 3 is a right side view thereof;
FIG. 4 is a left side view thereof;
FIG. 5 is a top view thereof;
FIG. 6 is a bottom view thereof;
FIG. 7 is a front right perspective view thereof; and,
FIG. 8 is a rear right perspective view thereof.

1 Claim, 8 Drawing Sheets

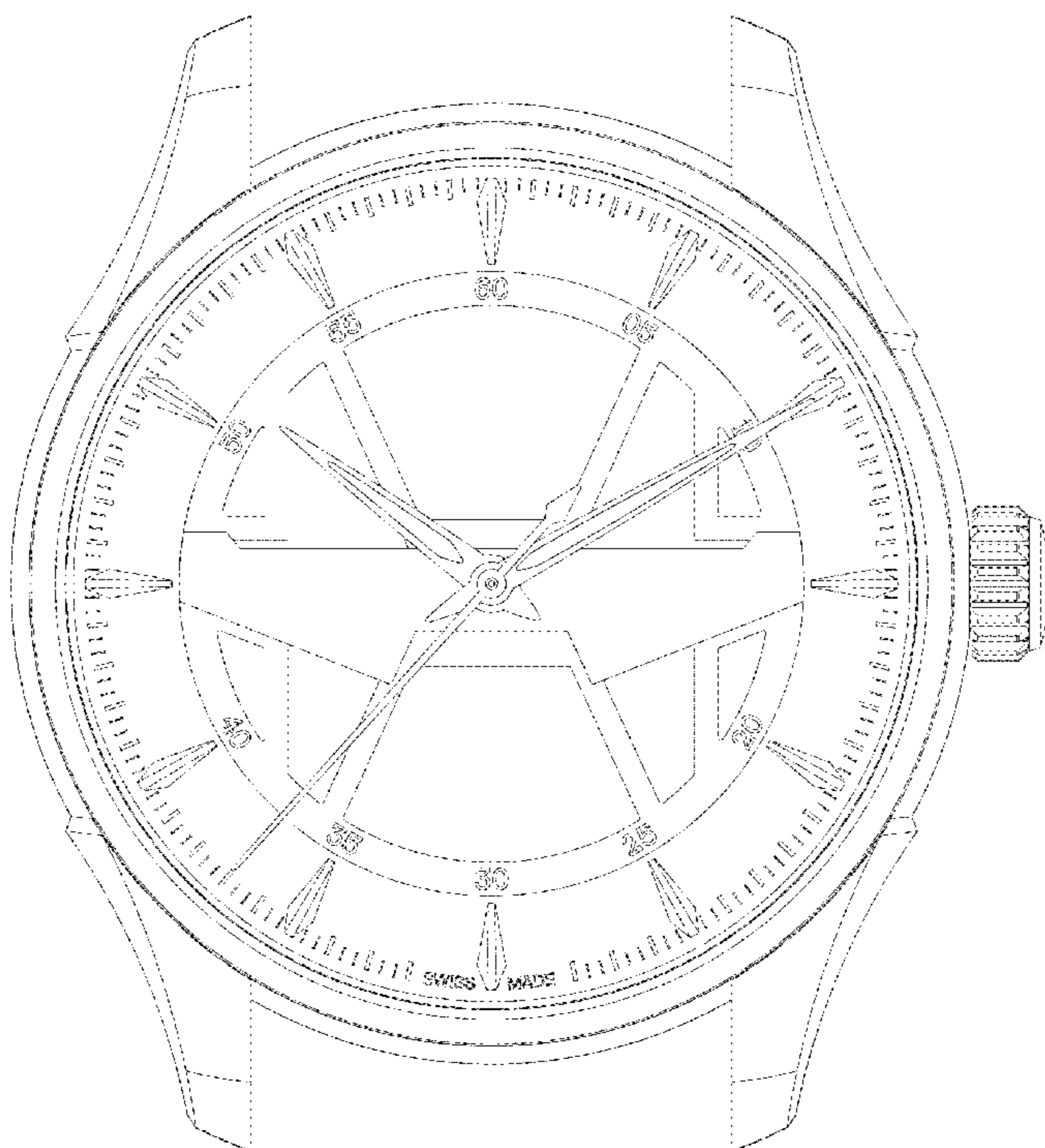




FIG. 1

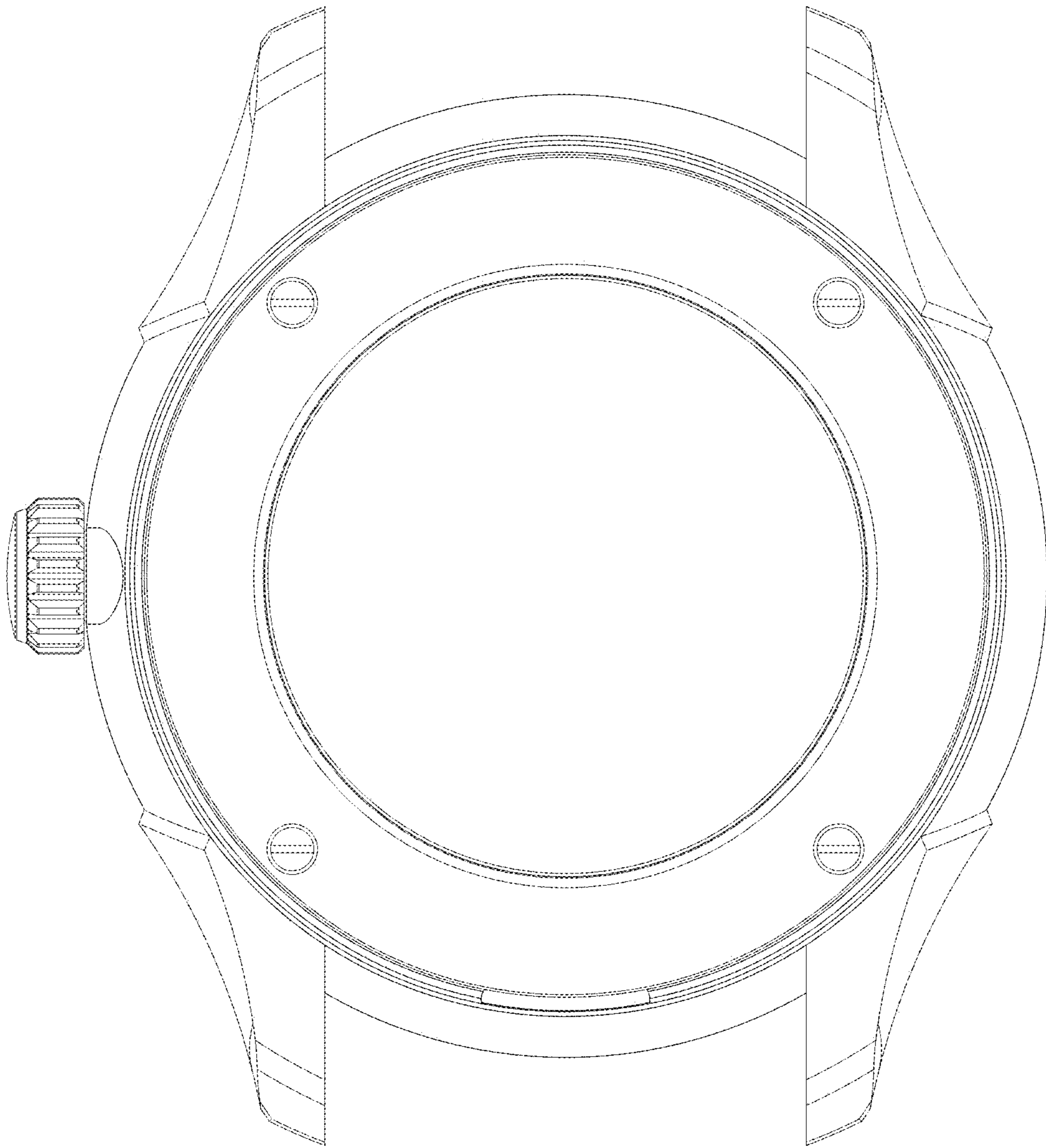


FIG. 2

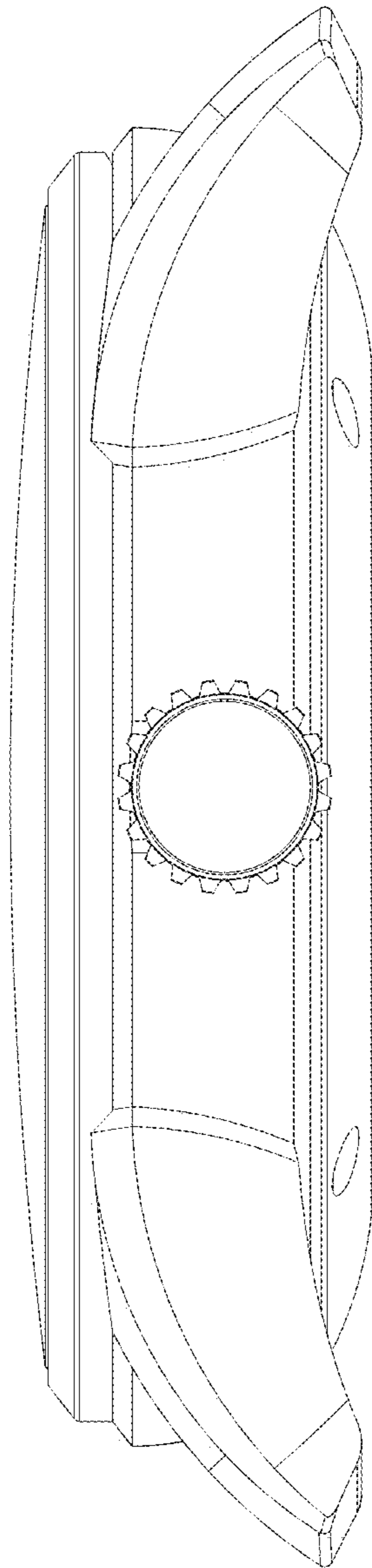


FIG. 3

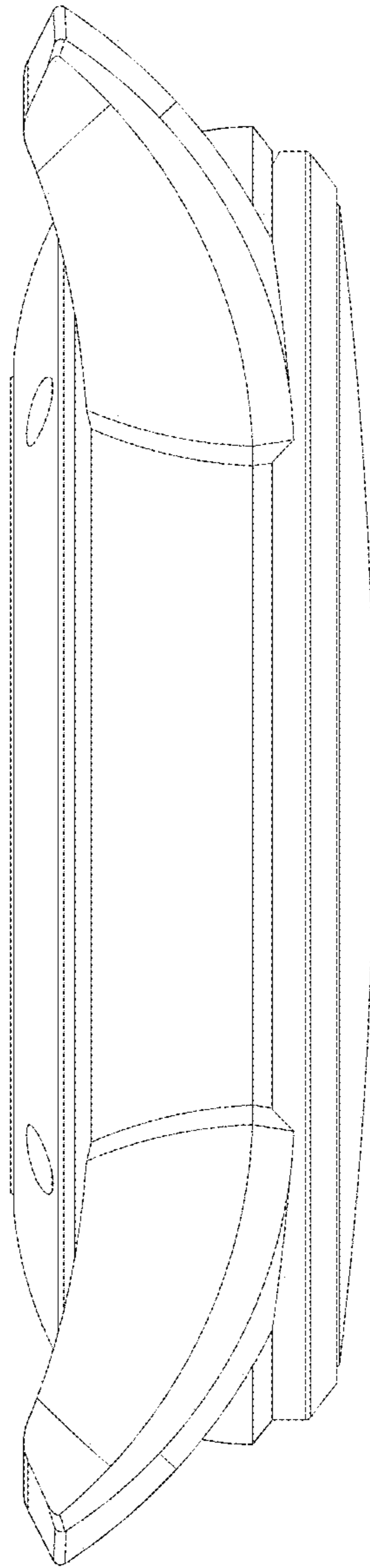


FIG. 4

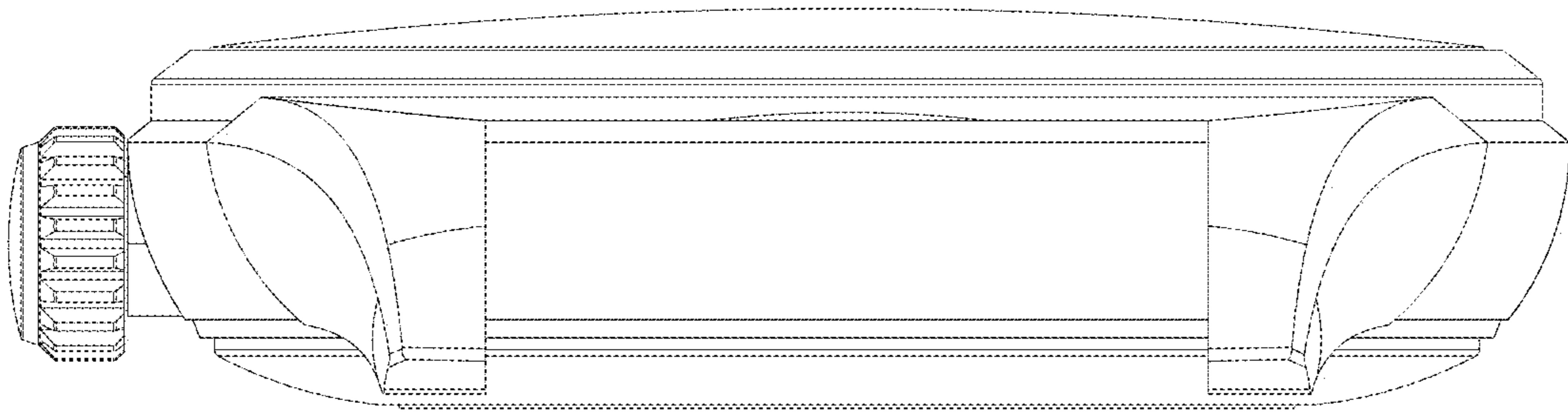


FIG. 5

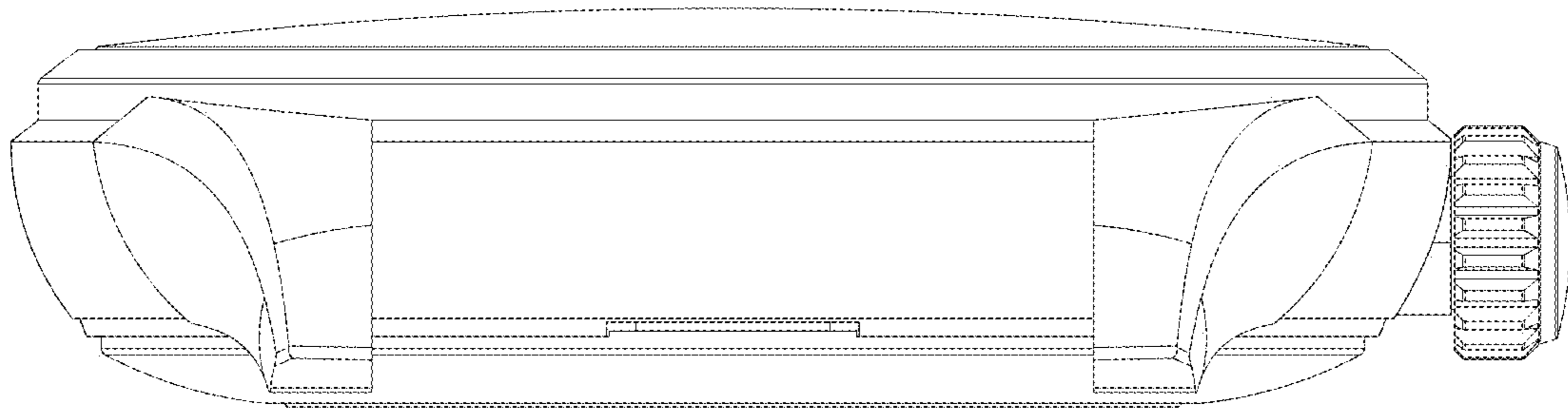


FIG. 6

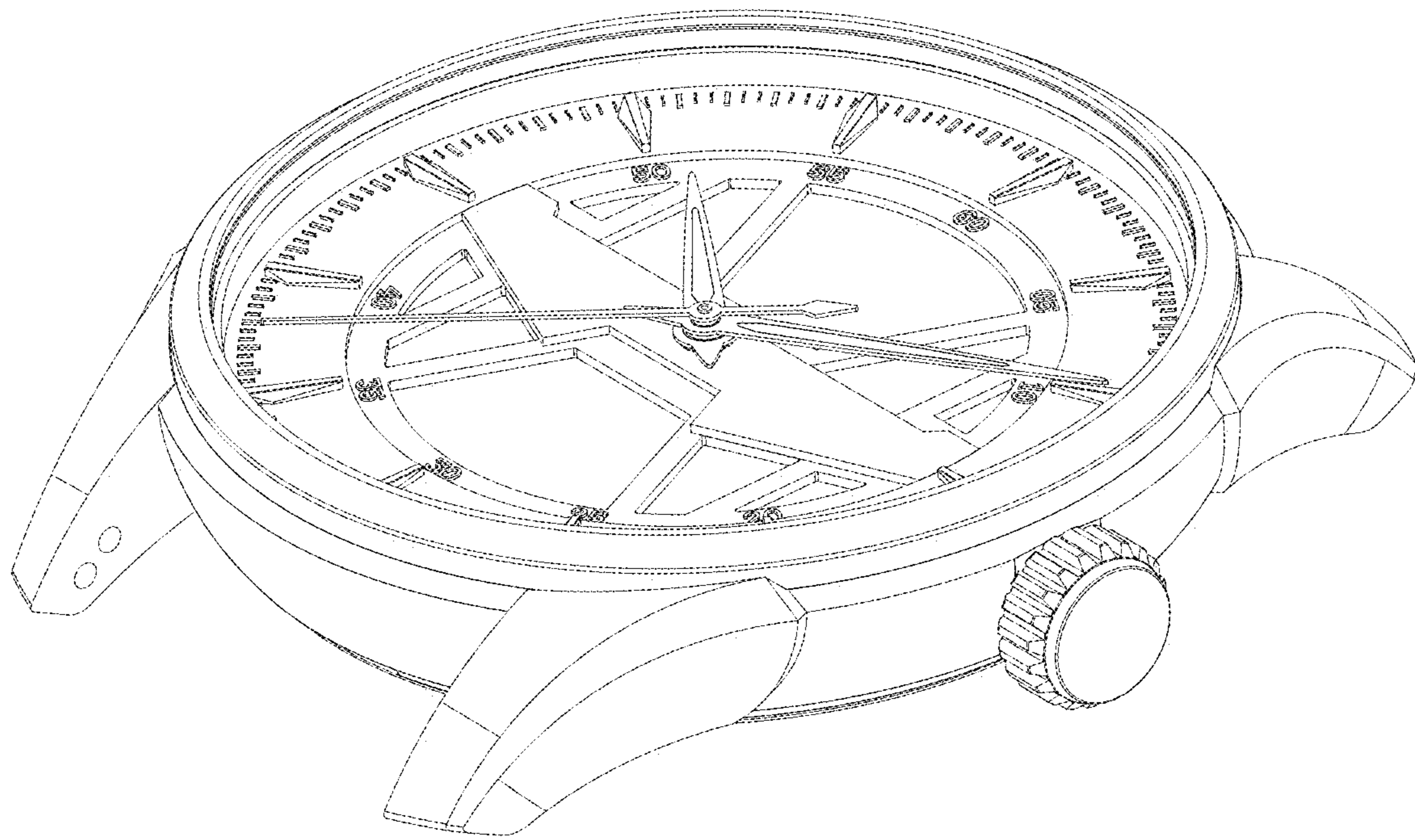


FIG. 7

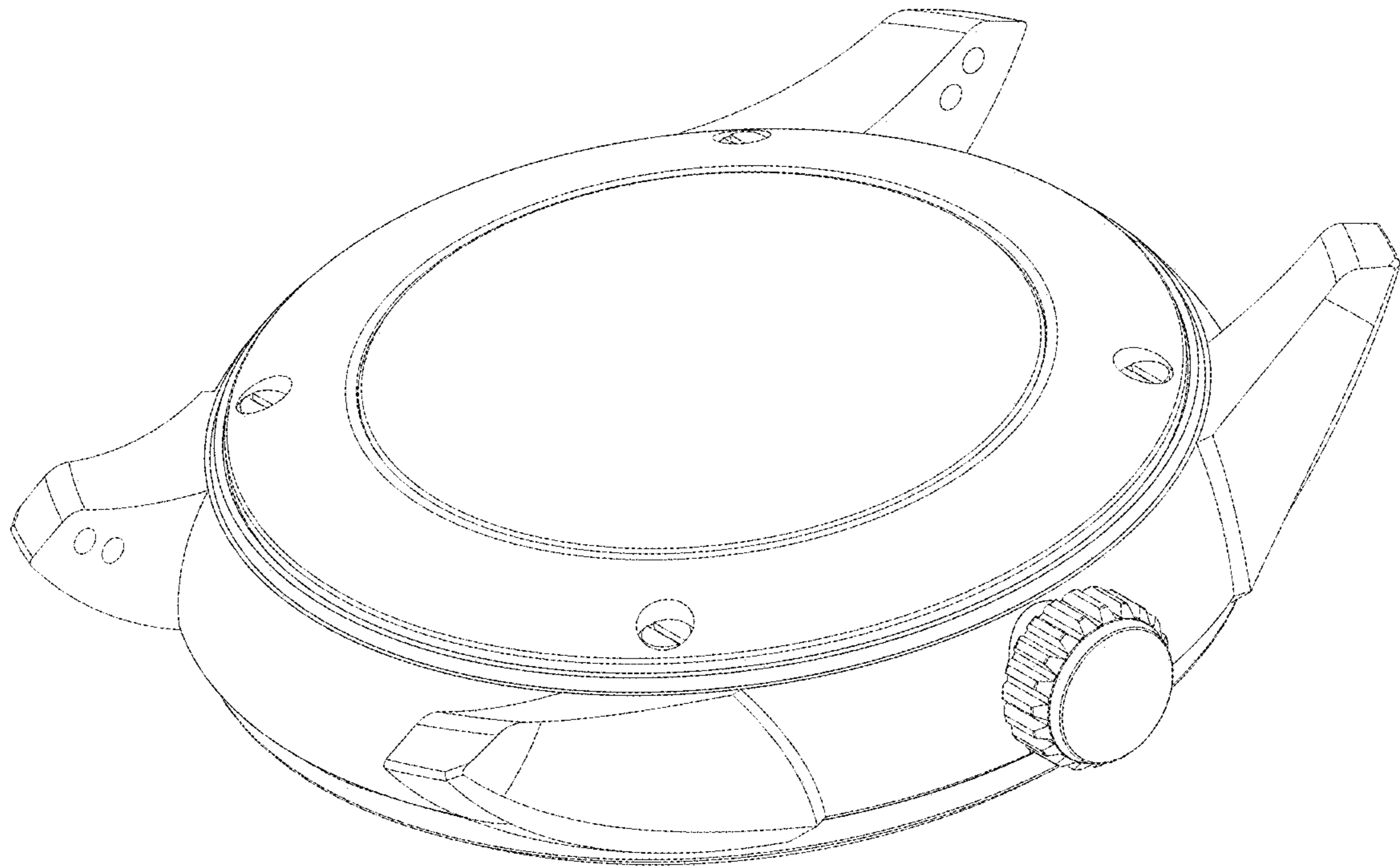


FIG. 8