



US00D935899S

(12) **United States Design Patent**  
**Manzoni**

(10) **Patent No.:** **US D935,899 S**

(45) **Date of Patent:** **\*\* Nov. 16, 2021**

(54) **WRISTWATCH**

(71) Applicant: **HUBLLOT SA, Genève, Geneva (CH)**

(72) Inventor: **Flavio Manzoni, Modena (IT)**

(73) Assignee: **HUBLLOT SA, Genève, Geneva (CH)**

(\*\*) Term: **15 Years**

(21) Appl. No.: **29/705,987**

(22) Filed: **Sep. 17, 2019**

(30) **Foreign Application Priority Data**

Mar. 18, 2019 (WO) ..... 81579

(51) **LOC (13) Cl.** ..... **10-02**

(52) **U.S. Cl.**  
USPC ..... **D10/39**

(58) **Field of Classification Search**  
USPC ..... D10/30-39, 65, 70, 97-98, 121-132;  
D14/344  
CPC ..... G04B 19/00; G04B 19/125; G04B 19/04;  
G04B 19/048; G04B 19/065; G04B  
19/08; G04B 19/10; G04B 19/103; G04B  
19/106; G04B 19/12; G04B 19/18; G04B  
19/22; G04B 19/223; G04B 19/24; G04B  
19/243; G04B 19/28; G04B 19/283;  
G04B 37/00; G04B 37/0008; G04B  
37/0058; G04B 45/00; G04B 45/0069;  
G04B 45/0076; G04B 47/06; G04B  
47/063; G04G 19/06  
See application file for complete search history.

(56) **References Cited**

**U.S. PATENT DOCUMENTS**

D291,814 S \* 9/1987 Cafaro, Jr. .... D10/127  
D327,860 S \* 7/1992 Schmidlin ..... D10/122  
6,668,456 B1 \* 12/2003 Moser ..... G04B 19/12  
29/896.32

D544,372 S \* 6/2007 Seyr ..... D10/32  
D578,902 S \* 10/2008 Hoshino ..... D10/128  
D582,793 S \* 12/2008 Lalo ..... D10/38  
D637,095 S \* 5/2011 Vaptzarof ..... D10/38  
D653,128 S \* 1/2012 Vaptzarof ..... D10/39  
D658,514 S \* 5/2012 Mille ..... D10/39  
8,366,313 B2 \* 2/2013 Scioscia ..... G04B 37/05  
368/286  
D708,075 S \* 7/2014 Mille ..... D10/39  
D725,500 S \* 3/2015 Biver ..... D10/39  
D741,206 S \* 10/2015 Lim ..... D10/70  
D747,982 S \* 1/2016 Miodrag ..... D10/39  
D748,500 S \* 2/2016 Schwamkrug ..... D10/30  
D764,338 S \* 8/2016 Cerrato ..... D10/127

(Continued)

**OTHER PUBLICATIONS**

The Hublot Classic Fusion Ferrari GT | hodinkee.com posted Mar. 25, 2019 [online], © 2009-2021, Hodinkee Inc. [retrieved Feb. 11, 2021] from Internet: <<https://www.hodinkee.com/articles/hublot-classic-fusion-ferrari-gt-photos>> (Year: 2019).\*

*Primary Examiner* — Katherine Glennon  
(74) *Attorney, Agent, or Firm* — Sughrue Mion, PLLC

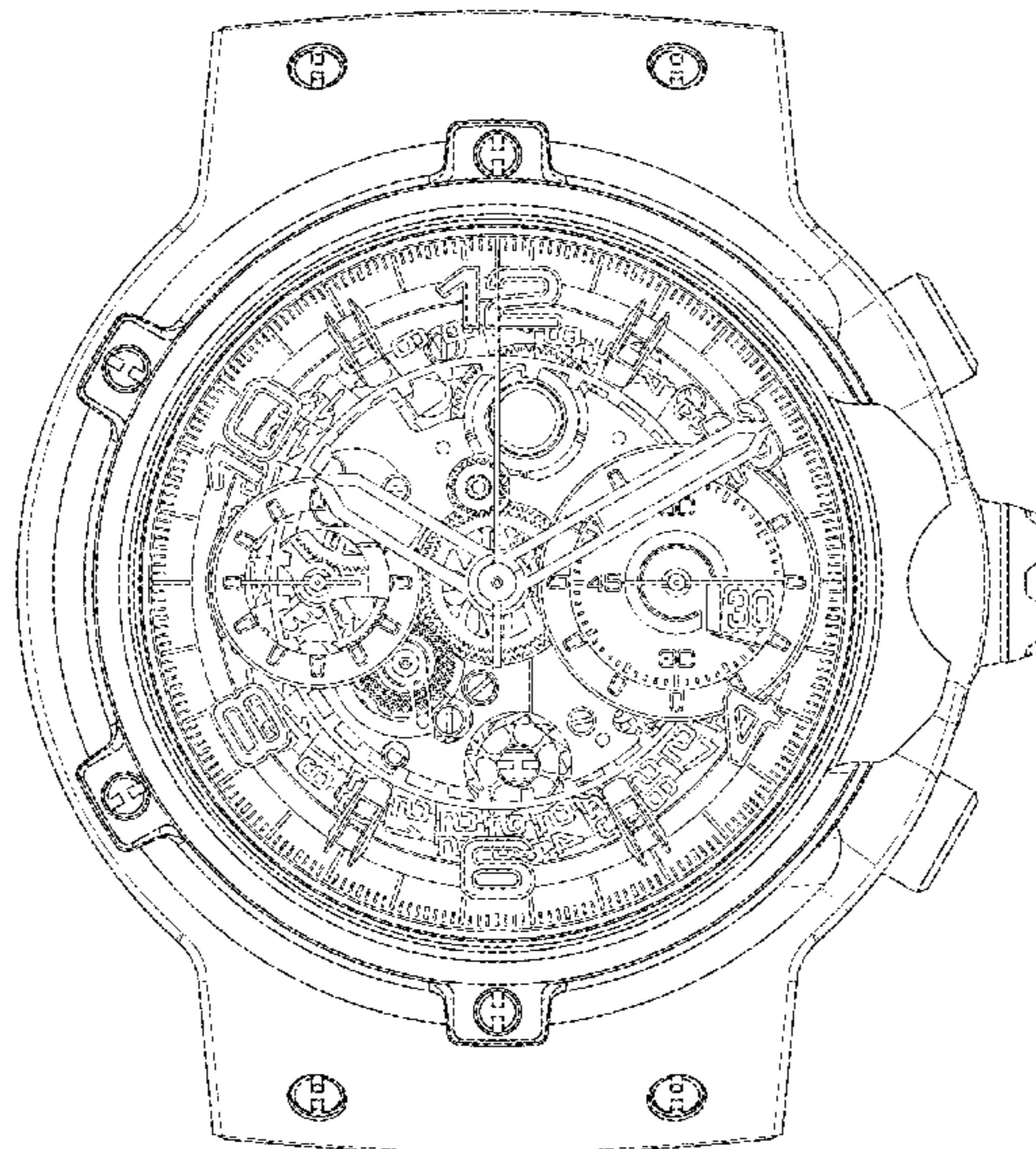
(57) **CLAIM**

The ornamental design for a wristwatch, as shown and described.

**DESCRIPTION**

FIG. 1 is a front elevational view of a wristwatch showing my new design;  
FIG. 2 is a perspective view of a front and right side thereof;  
FIG. 3 is a rear elevational view thereof;  
FIG. 4 is a left side elevational view thereof;  
FIG. 5 is a right side elevational view thereof;  
FIG. 6 is a bottom plan view thereof; and,  
FIG. 7 is a top plan view thereof.  
The broken lines in the figures illustrate portions of the wristwatch that form no part of the claimed design.

**1 Claim, 6 Drawing Sheets**



(56)

**References Cited**

U.S. PATENT DOCUMENTS

D799,987 S *	10/2017	Mille .....	D10/30
D800,578 S *	10/2017	Behling .....	D10/30
D843,231 S *	3/2019	Manzoni .....	D10/39
D843,851 S *	3/2019	Manzoni .....	D10/30
D885,936 S *	6/2020	De Oliveira .....	D10/39
D887,288 S *	6/2020	Behling .....	D10/38
D893,318 S *	8/2020	Orlinski .....	D10/39
2008/0089185 A1 *	4/2008	Martin .....	G04B 37/1486 368/282

\* cited by examiner



FIG. 1

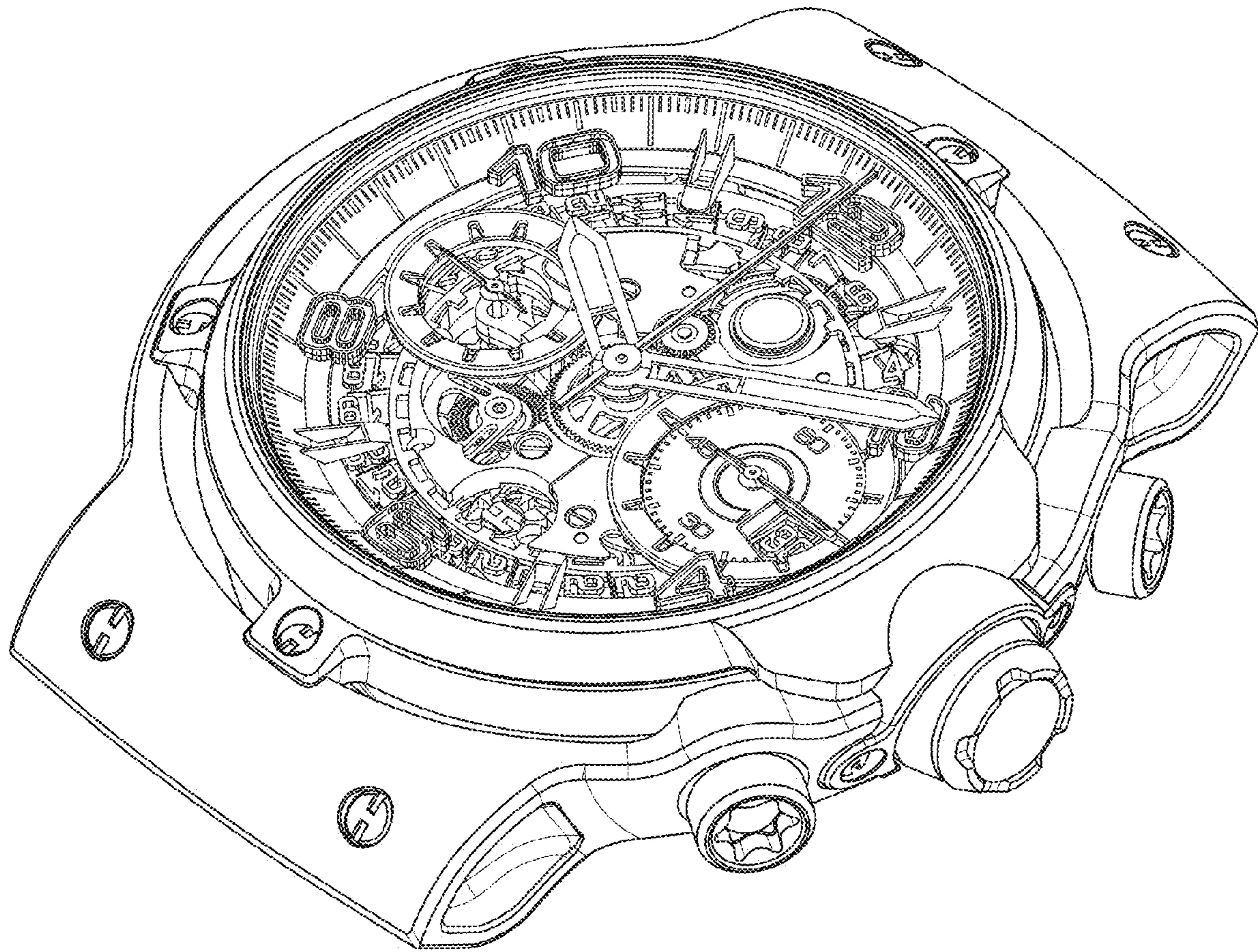


FIG. 2

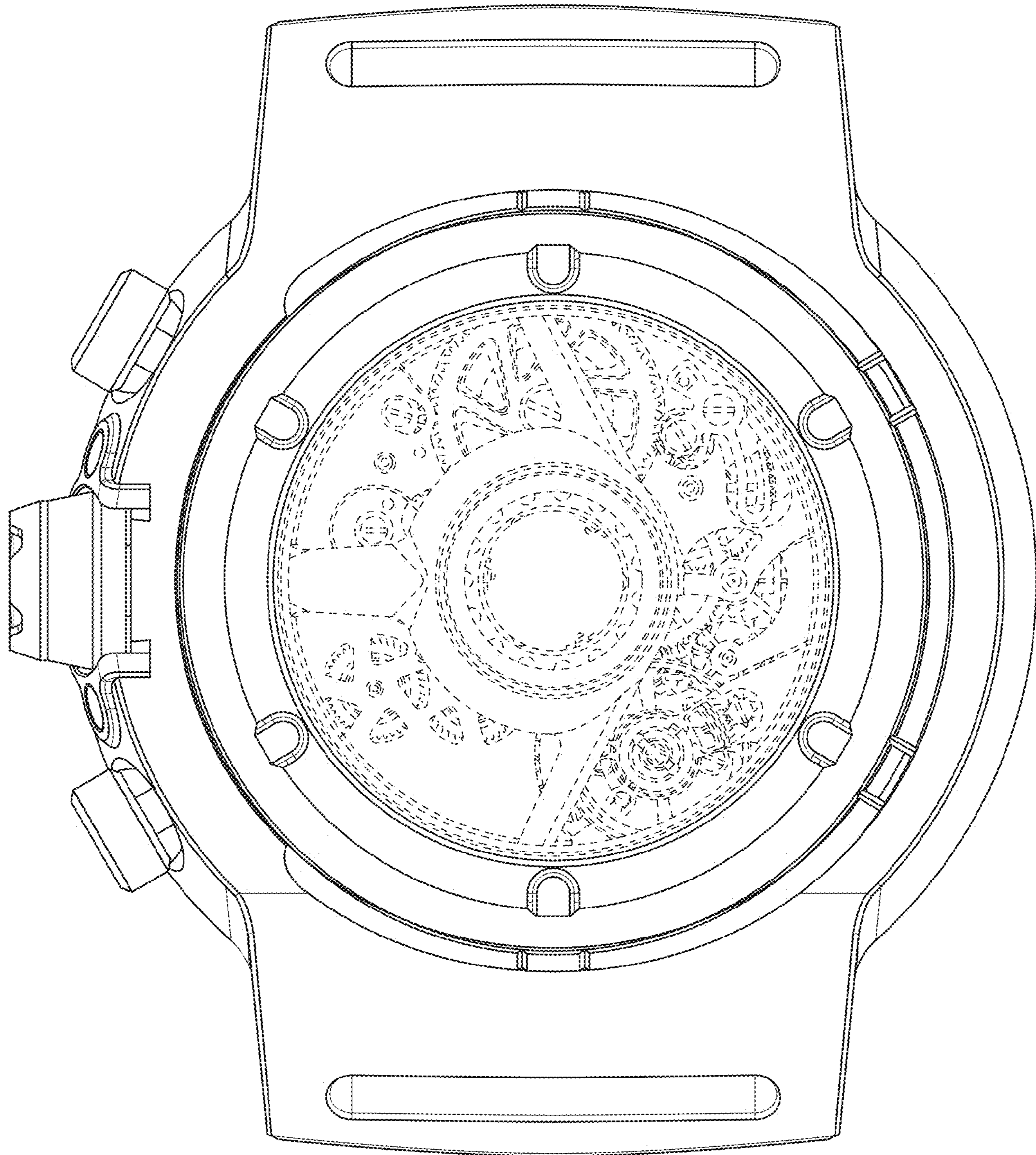


FIG. 3

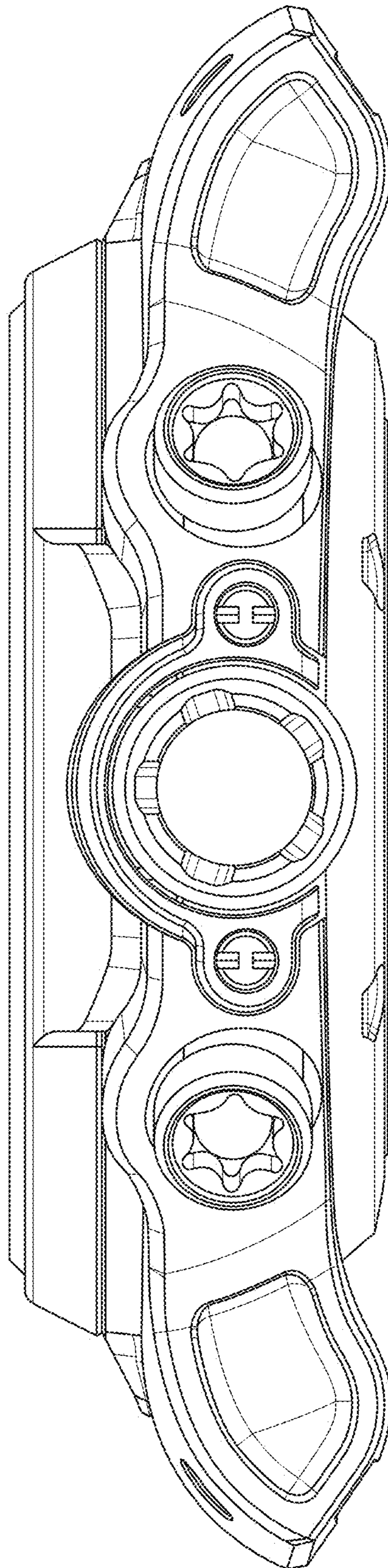


FIG. 4

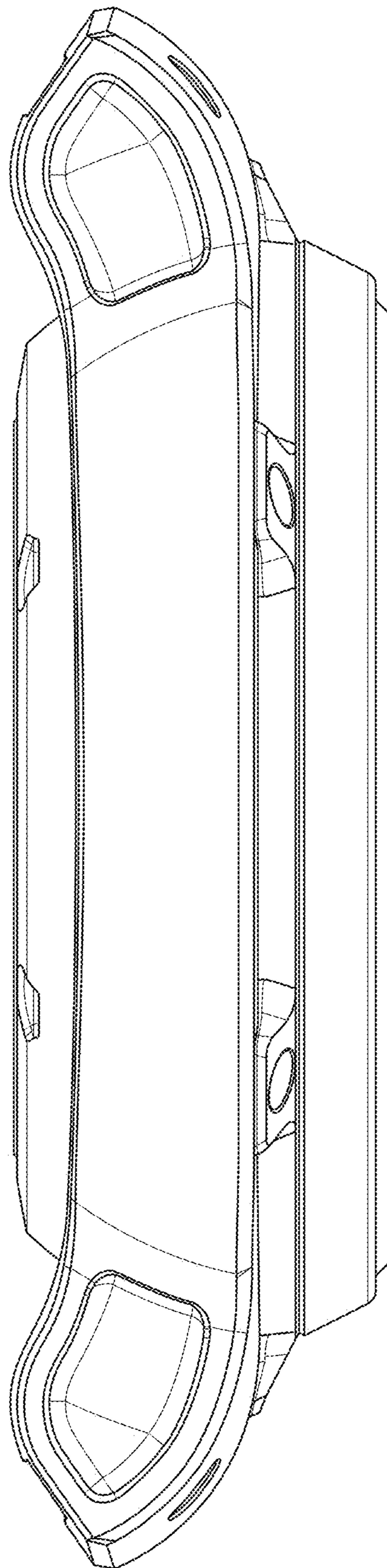


FIG. 5

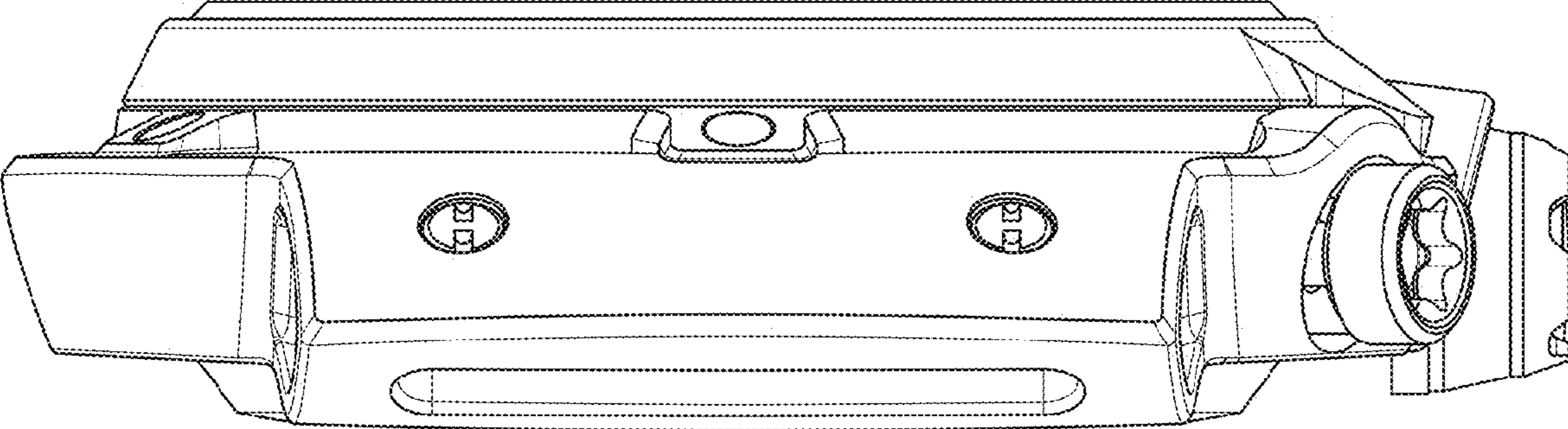


FIG. 6

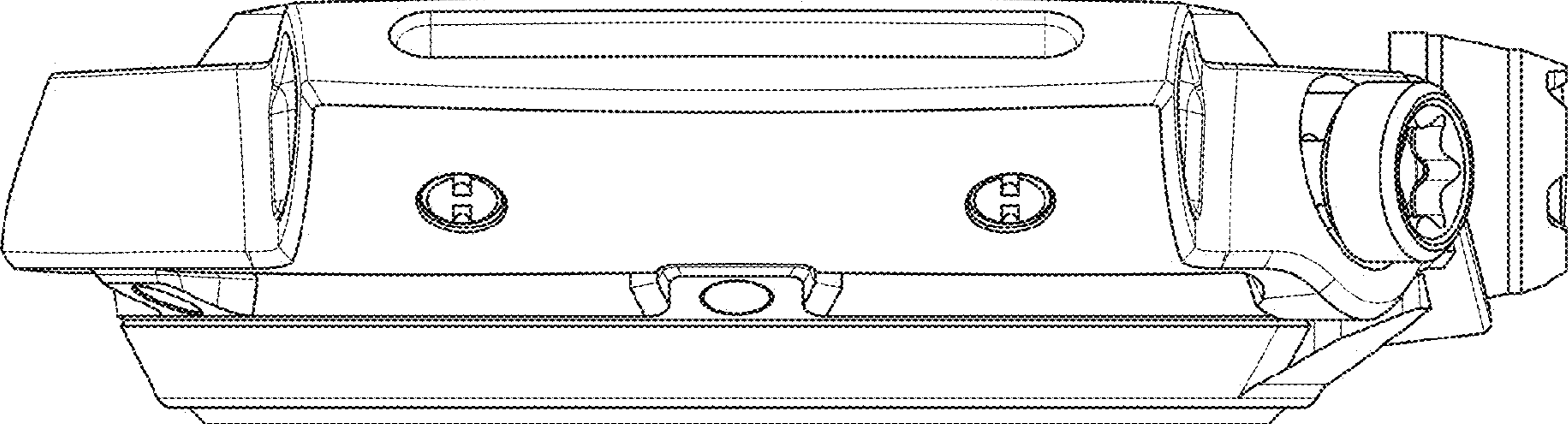


FIG. 7