



US00D935898S

(12) **United States Design Patent** (10) **Patent No.:** **US D935,898 S**
Garsaud (45) **Date of Patent:** **** Nov. 16, 2021**

(54) **WATCH CASE**
(71) Applicant: **Harry Winston SA**, Plan-les-Ouates (CH)
(72) Inventor: **Sandra Garsaud**, Plan-les-Ouates (CH)
(73) Assignee: **Harry Winston SA**, Plan-les-Ouates (CH)
(**) Term: **15 Years**
(21) Appl. No.: **29/738,247**
(22) Filed: **Jun. 16, 2020**
(30) **Foreign Application Priority Data**

D250,752 S * 1/1979 Perrin D10/39
D339,532 S * 9/1993 Frappe D10/126
D342,682 S * 12/1993 Kim D10/30
D420,936 S * 2/2000 Murray D11/92
D444,076 S * 6/2001 Repposi D10/32
D727,178 S * 4/2015 Abdourahim D10/39
D743,275 S * 11/2015 Riviere D10/32
D747,980 S * 1/2016 Abdourahim D10/30
D781,724 S * 3/2017 Abdourahim D10/39
D789,803 S * 6/2017 Dominguez D10/32
D793,870 S * 8/2017 Abdourahim D10/30
D807,199 S * 1/2018 Dominguez D10/30
D843,852 S * 3/2019 Dominguez D10/32
D847,002 S * 4/2019 Dominguez D10/30
D895,443 S * 9/2020 Lasserre D10/38
D897,223 S * 9/2020 Dominguez D10/32
D913,115 S * 3/2021 Dominguez D10/32
D917,305 S * 4/2021 Dominguez D10/38

* cited by examiner

Dec. 17, 2019 (WO) WIPO90372
(51) **LOC (13) Cl.** **10-02**
(52) **U.S. Cl.**
USPC **D10/38**
(58) **Field of Classification Search**
USPC D10/30-39, 122-128; D11/3, 12, 86-87,
D11/93-94, 216-217
CPC G04B 19/06; G04B 19/08; G04B 19/085;
G04B 19/10; G04B 19/103; G04B
19/106; G04B 19/26; G04B 19/268;
G04B 45/00; G04B 45/0069; G04B
45/0076; G04B 45/0084; A44C 5/00;
A44C 5/0053; A44C 5/02; A44C 5/14;
A44C 5/18
See application file for complete search history.

Primary Examiner — Katherine Glennon

(74) *Attorney, Agent, or Firm* — Blank Rome LLP

(56) **References Cited**
U.S. PATENT DOCUMENTS

D166,186 S * 3/1952 Granat D10/128
D242,436 S * 11/1976 Nilson D10/30

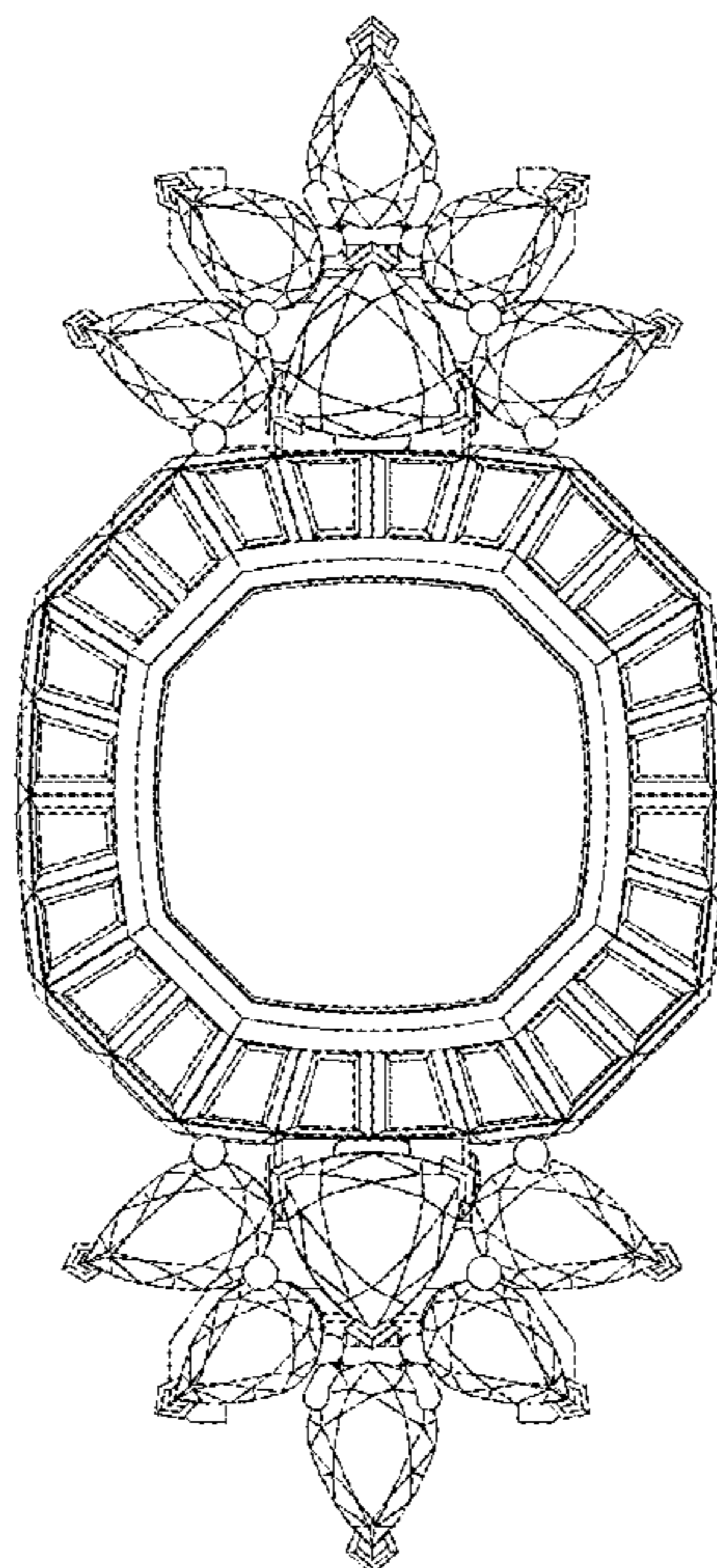
(57) **CLAIM**

The ornamental design for a watch case, as shown and described.

DESCRIPTION

FIG. 1 is a front view of a watch case of the present design; FIG. 2 is a rear view thereof; FIG. 3 is a right side view thereof; FIG. 4 is a left side view thereof; FIG. 5 is a bottom view thereof; FIG. 6 is a top view thereof; FIG. 7 is a front right perspective view thereof; and, FIG. 8 is a rear left perspective view thereof.

1 Claim, 8 Drawing Sheets



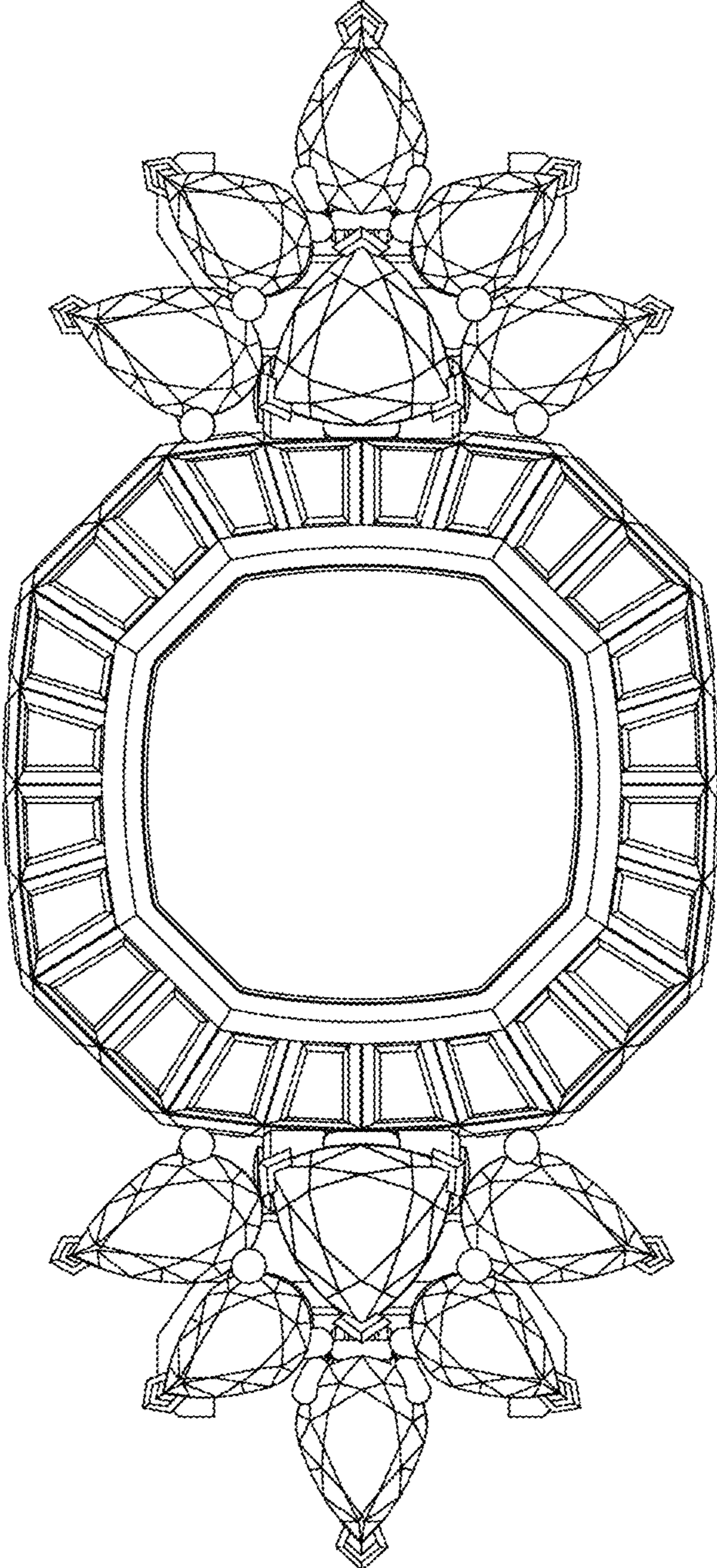


FIG. 1

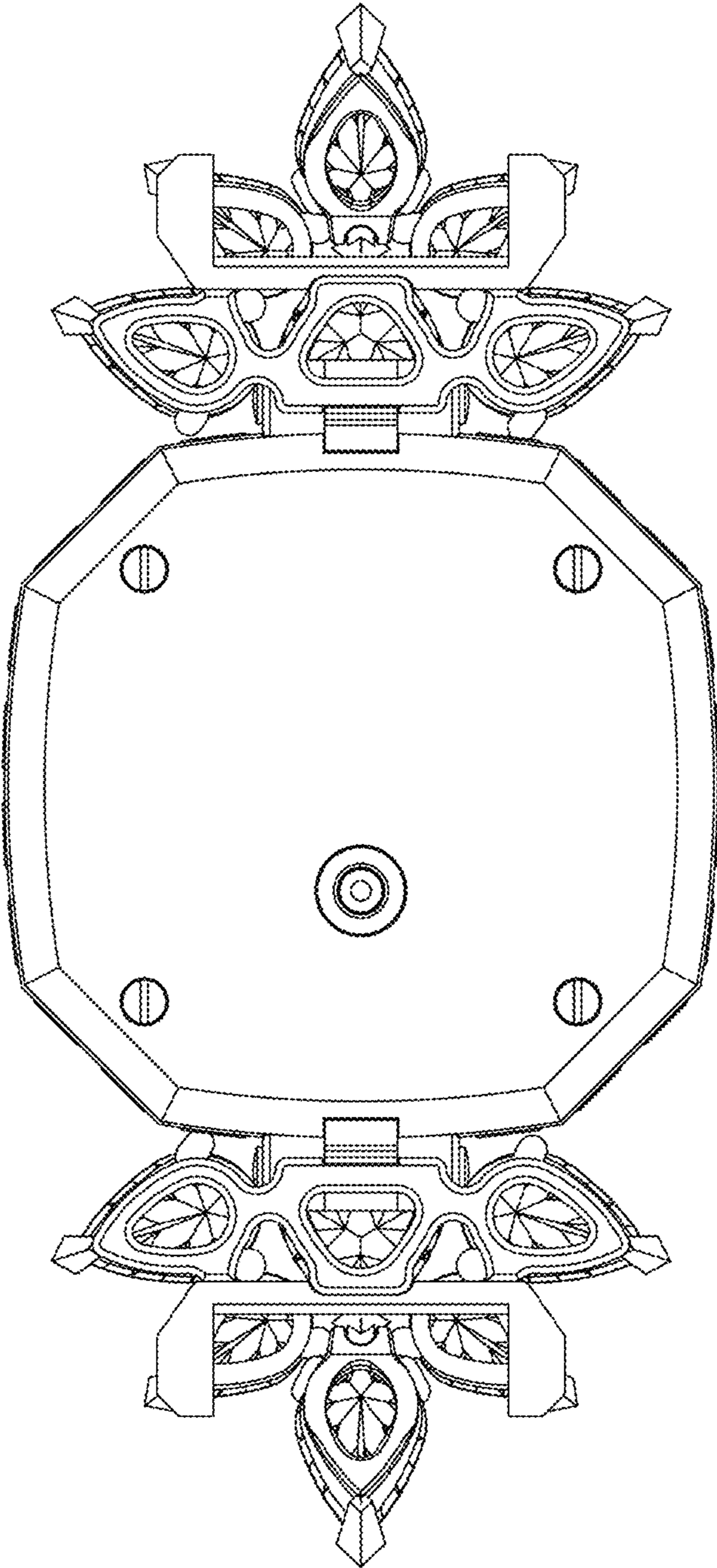


FIG. 2

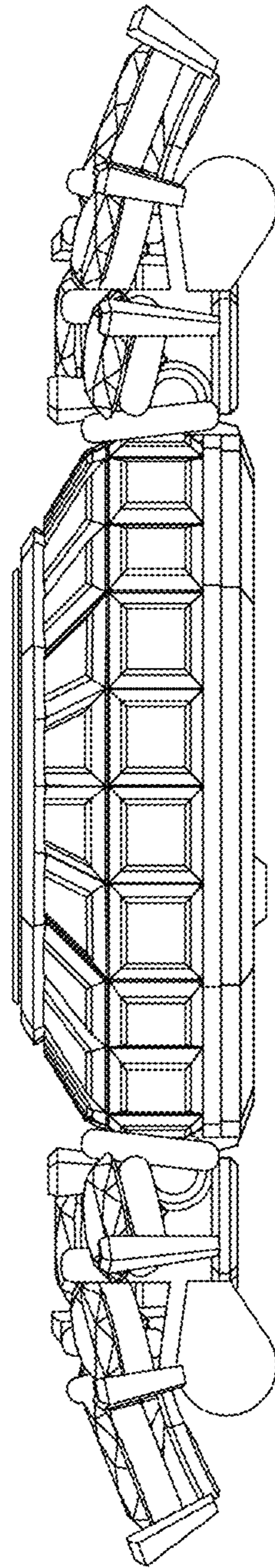


FIG. 3

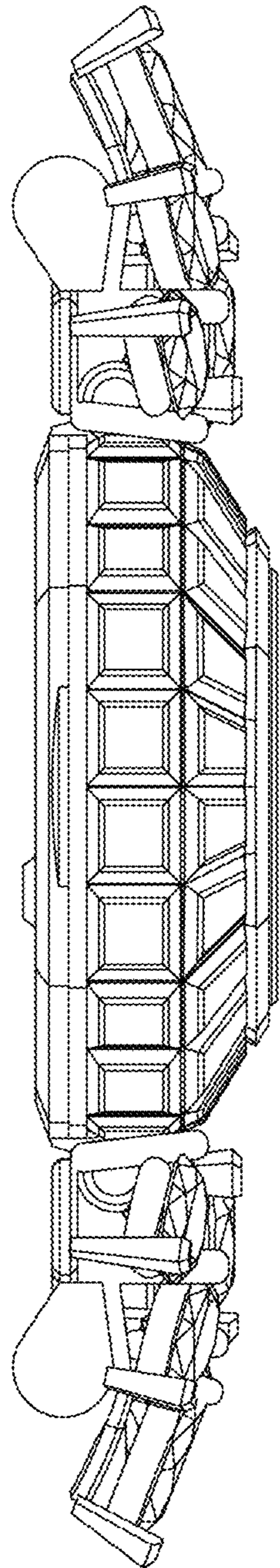


FIG. 4

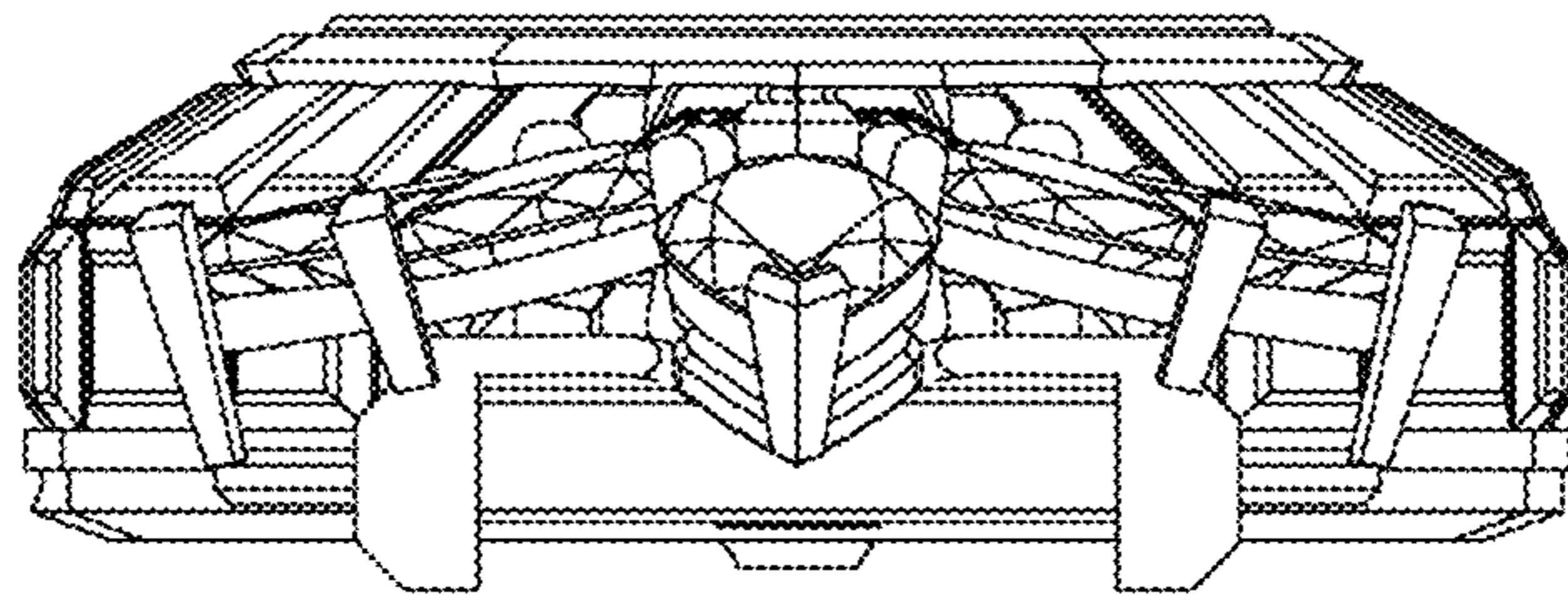


FIG. 5

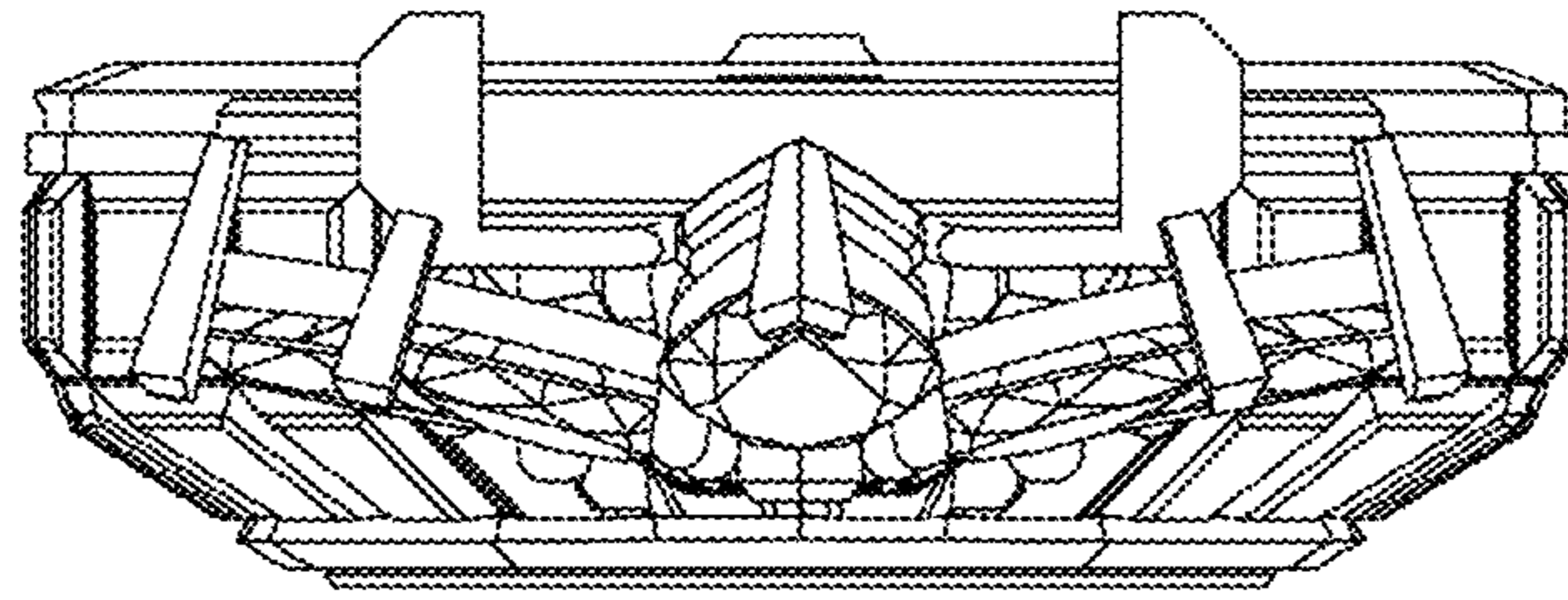


FIG. 6

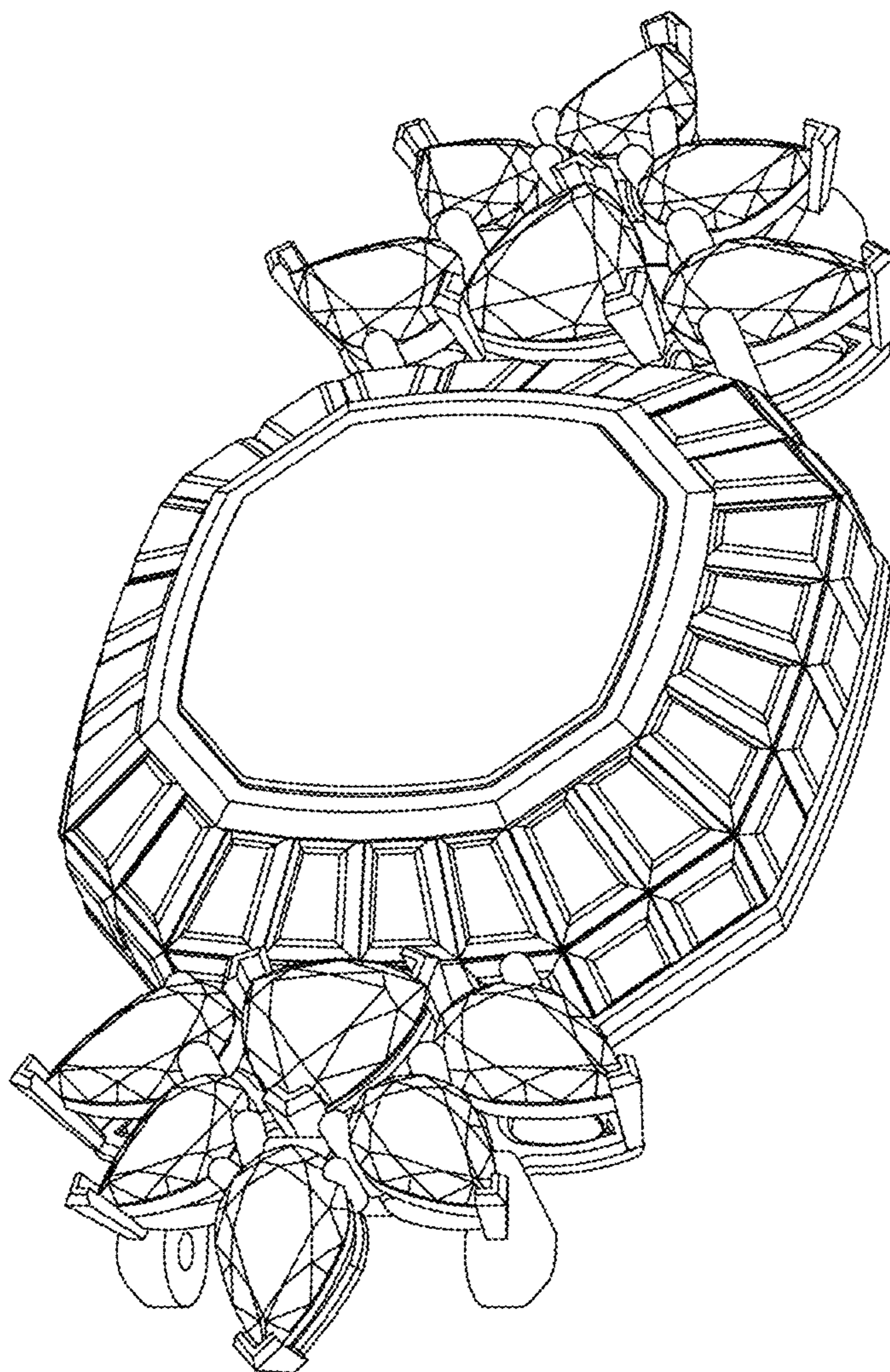


FIG. 7

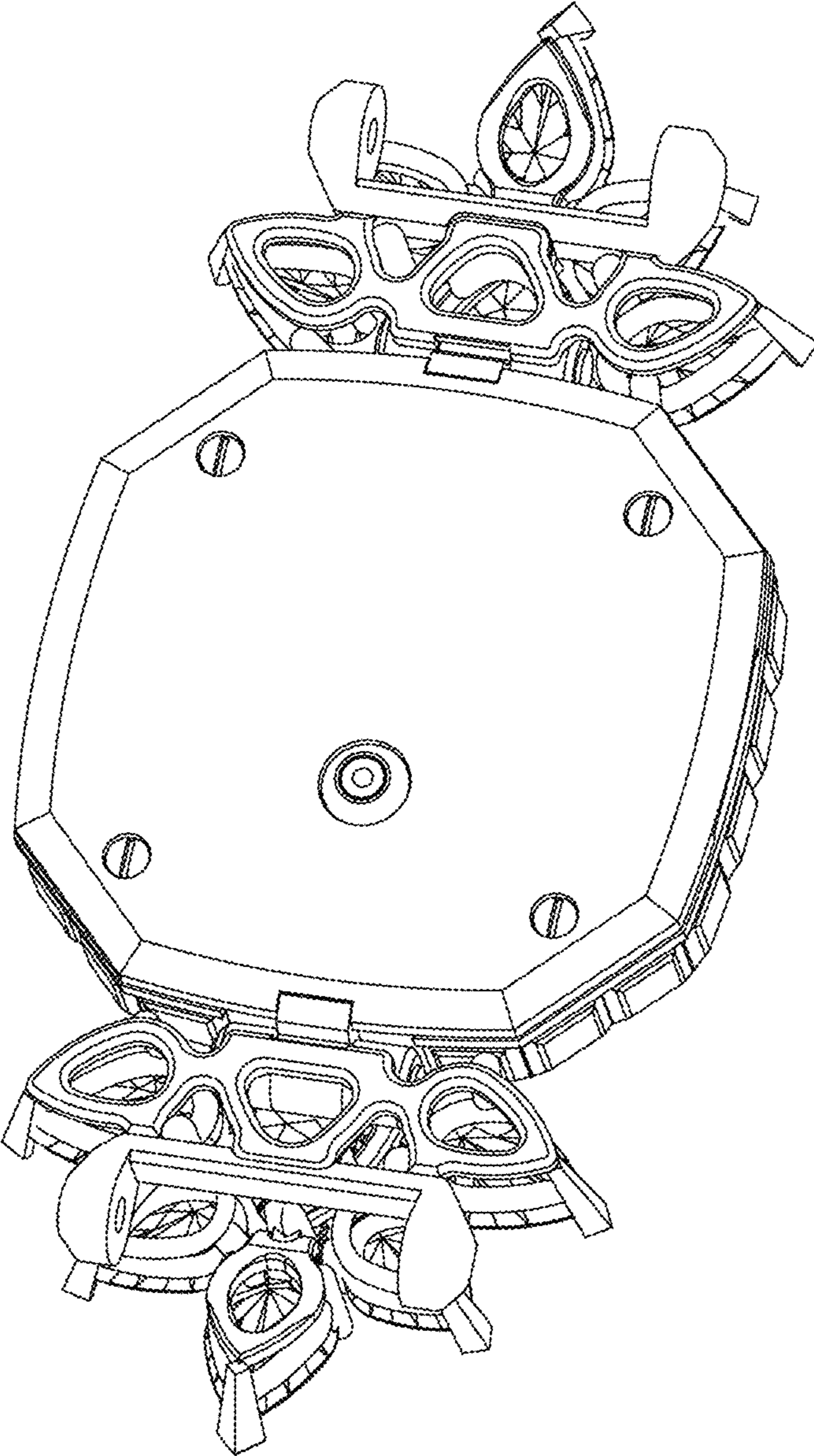


FIG. 8