



US00D935895S

(12) **United States Design Patent** (10) **Patent No.:** **US D935,895 S**  
**Shemtov** (45) **Date of Patent:** **\*\* Nov. 16, 2021**

(54) **DIGITAL CLOCK**

FOREIGN PATENT DOCUMENTS

(71) Applicant: **Norsud Corp.**, Brooklyn, NY (US)

CN 201830105910 \* 3/2018  
EM 003611805-0003 \* 1/2017

(72) Inventor: **Schneur Shemtov**, Miami Beach, FL (US)

OTHER PUBLICATIONS

(73) Assignee: **Norsud Corp.**, Miami Beach, FL (US)

Amazon, SVINZ Calendar Memory Loss Clock, posted Jan. 15, 2016, [online], [visited Dec. 18, 2020]. Internet, <URL: https://www.amazon.co.uk/dp/B01A57I17G/ref> (Year: 2016).\*

(\*\*) Term: **15 Years**

(Continued)

(21) Appl. No.: **29/697,214**

(22) Filed: **Jul. 5, 2019**

*Primary Examiner* — Sheryl Lane

*Assistant Examiner* — Samantha N Wood

(51) **LOC (13) Cl.** ..... **10-01**

(74) *Attorney, Agent, or Firm* — Zeller IP Group, PLLC; Kyle M. Zeller

(52) **U.S. Cl.**

USPC ..... **D10/15**

(58) **Field of Classification Search**

USPC ... D10/1, 2, 3, 4, 14, 15, 20, 21, 24, 25, 52, D10/57, 53; D14/137, 155, 188, 189, D14/265, 171; D6/308

(57) **CLAIM**

CPC .. G04G 5/00; G04G 5/02; G04G 5/04; G04G 9/00; G04G 9/0005; G04G 9/0017; G04G 9/0023; G04G 13/00; G04G 13/02; G04G 13/021; G04G 13/023; G04G 13/028

The ornamental design for a digital clock, as shown and described.

See application file for complete search history.

**DESCRIPTION**

(56) **References Cited**

U.S. PATENT DOCUMENTS

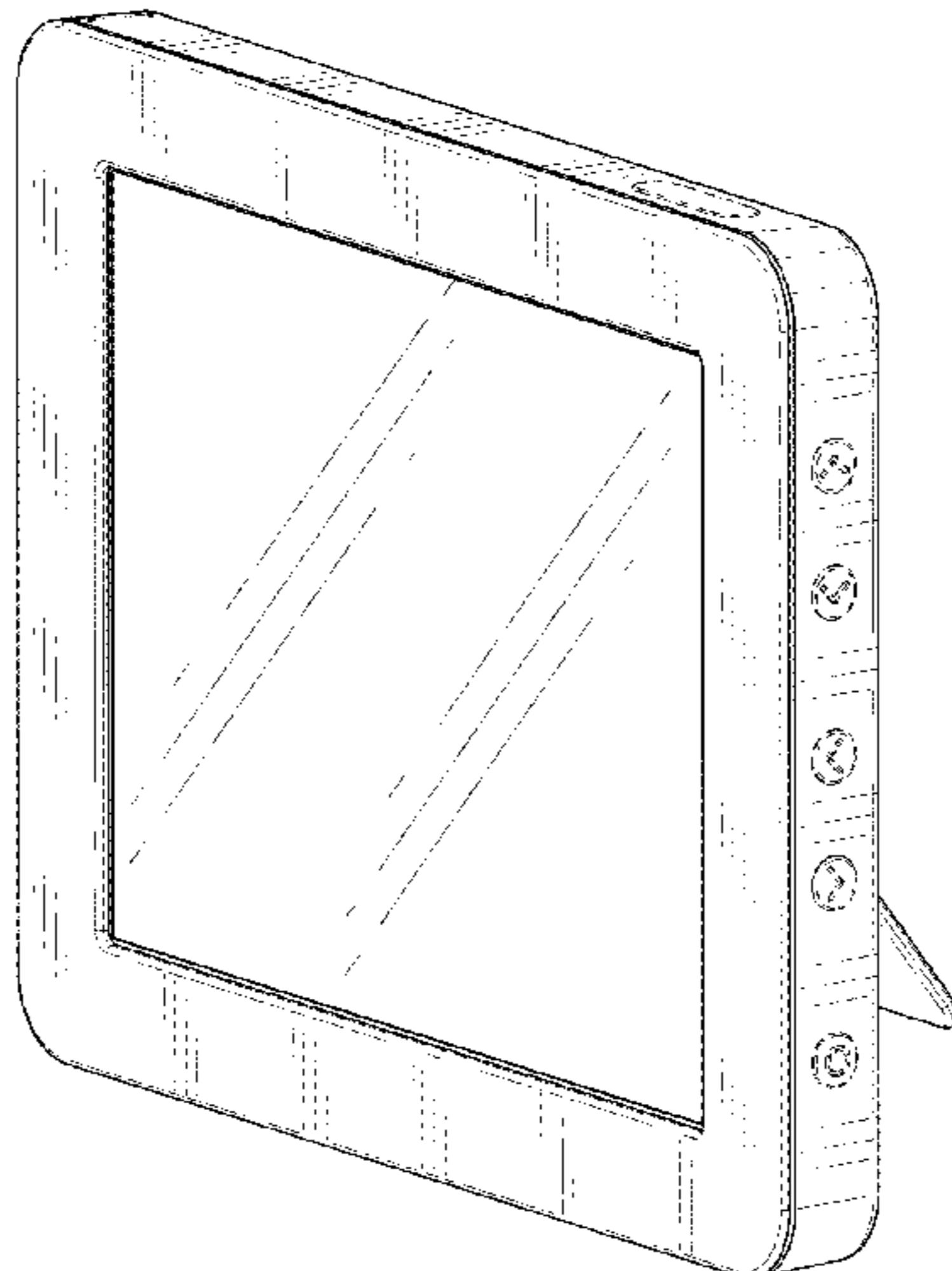
D319,393 S \* 8/1991 Wolff ..... D10/2  
D320,564 S \* 10/1991 Sharkey ..... D10/3  
D452,656 S \* 1/2002 So ..... D10/15  
D467,508 S \* 12/2002 Kwok ..... D10/15  
D500,252 S \* 12/2004 Hsu ..... D10/15  
D503,285 S \* 3/2005 Chen ..... D10/2  
D534,214 S \* 12/2006 Marcy ..... D19/113  
D545,691 S \* 7/2007 Bhavnani ..... D10/15  
D592,863 S \* 5/2009 Hoehn ..... D6/310  
D813,693 S \* 3/2018 Walker ..... D10/53  
D834,429 S \* 11/2018 Jiang ..... D10/3  
2004/0022131 A1 \* 2/2004 Kibiloski ..... G04C 10/04  
368/47  
2008/0130417 A1 \* 6/2008 Bhavnani ..... G04G 21/04  
368/11

FIG. 1 is a first perspective view of a digital clock showing my new design;  
FIG. 2 is a second perspective view thereof;  
FIG. 3 is a third perspective view thereof;  
FIG. 4 is a front elevational view thereof;  
FIG. 5 is a rear elevational view thereof;  
FIG. 6 is a top plan view thereof;  
FIG. 7 is a bottom plan view thereof;  
FIG. 8 is a left side view thereof;  
FIG. 9 is a right side view thereof; and,  
FIG. 10 is a perspective view of the digital clock in an alternative configuration.

The broken lines are included for the purpose of illustrating portions of the article and form no part of the claimed design.

(Continued)

**1 Claim, 8 Drawing Sheets**



(56)

**References Cited**

U.S. PATENT DOCUMENTS

2009/0001241 A1\* 1/2009 Tang ..... F16M 11/26  
248/602

OTHER PUBLICATIONS

Amazon, Youshiko Large Jumbo Wall Clock, posted Aug. 2, 2017, [online], [visited Dec. 18, 2020]. Internet, <URL: <https://www.amazon.co.uk/dp/B074J658TY/ref>> (Year: 2017).\*

Amazon, PEARL Funkwanduhr mit Datum, posted Sep. 5, 2017, [online], [visited Dec. 18, 2020]. Internet, <URL: <https://www.amazon.de/PEARL-Funkuhr-Tisch-Jumbo-Uhrzeit-Datums-Anzeige/dp/B075D9GC1K/ref>> (Year: 2017).\*

\* cited by examiner

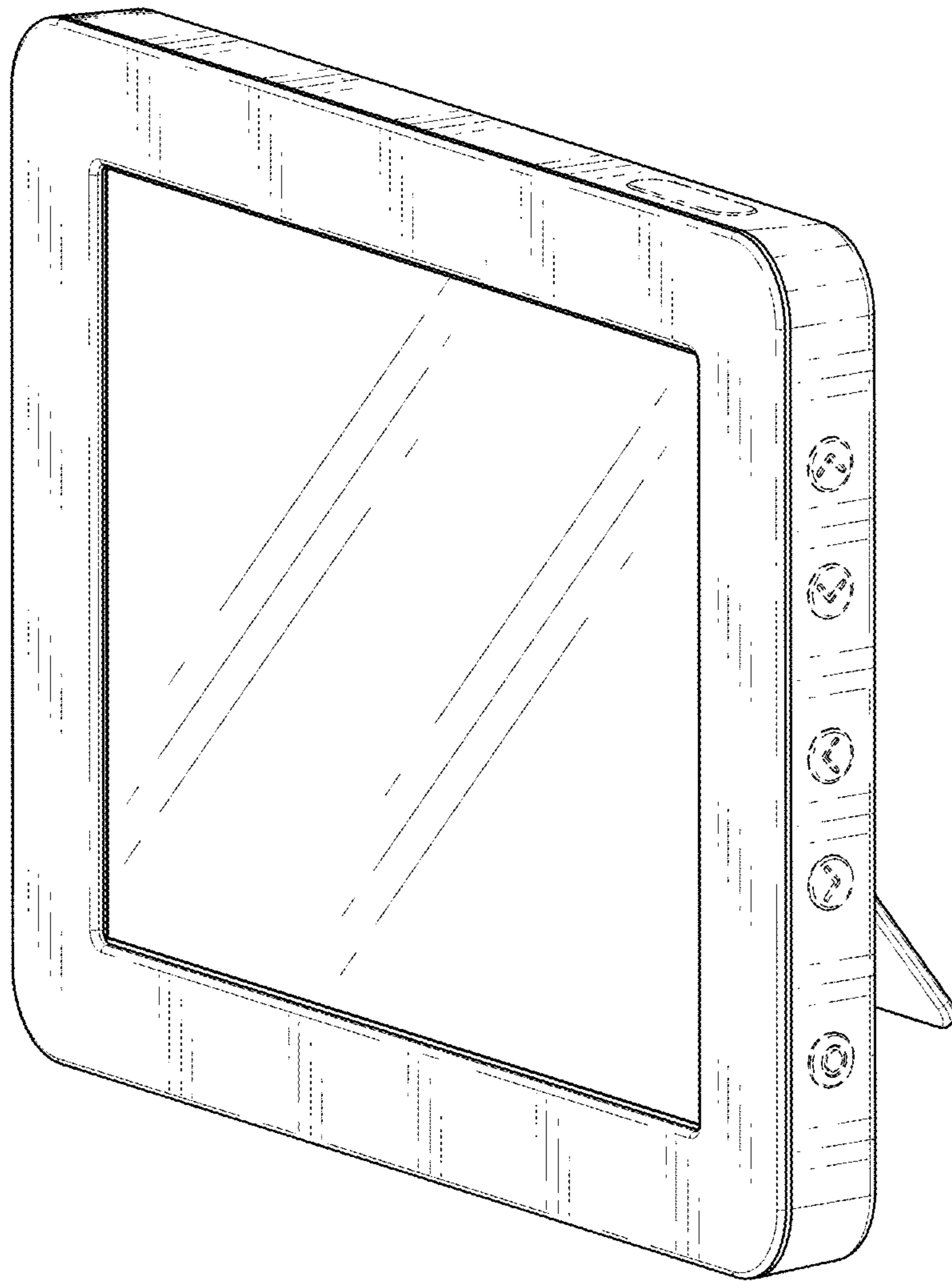


FIG. 1

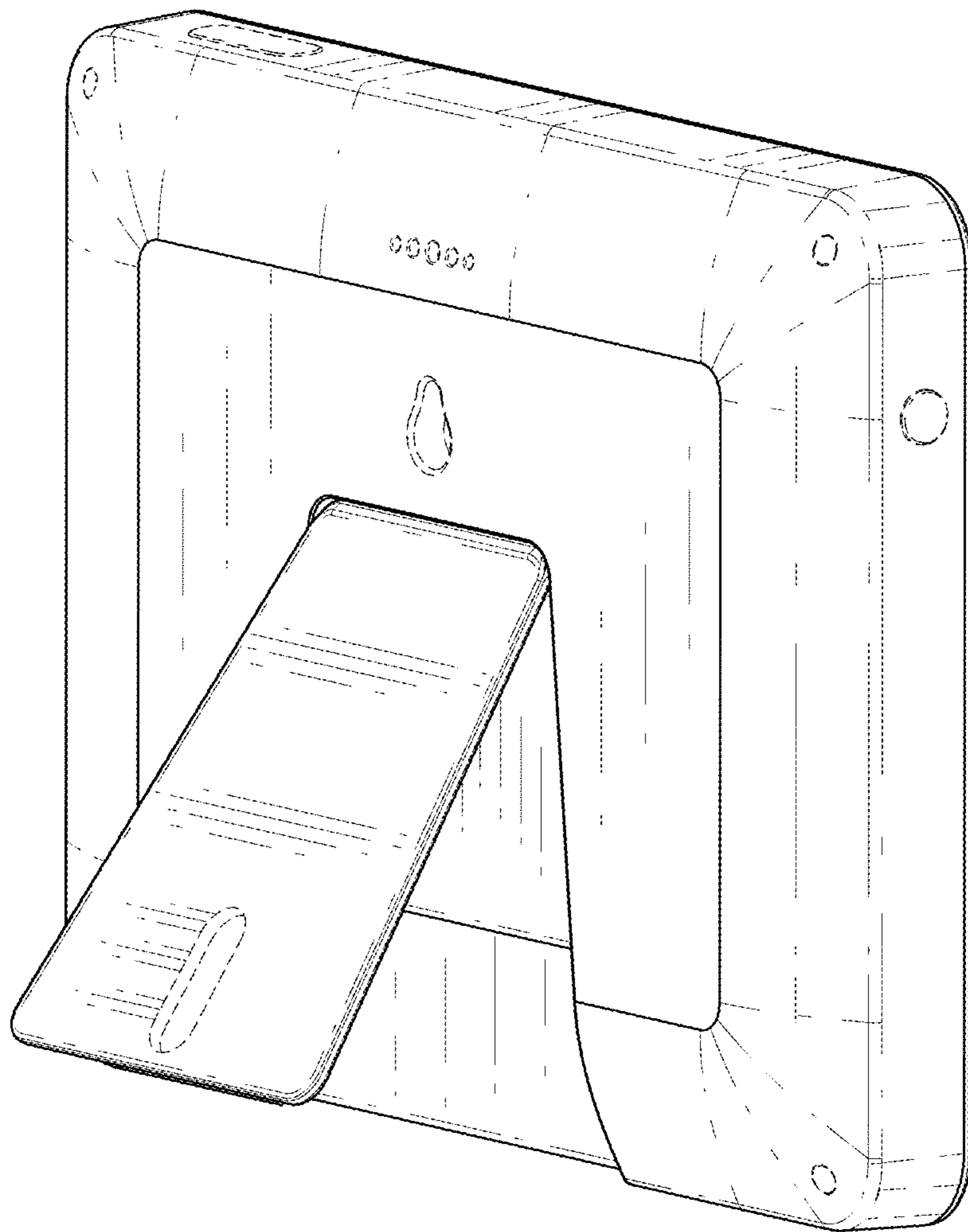


FIG. 2

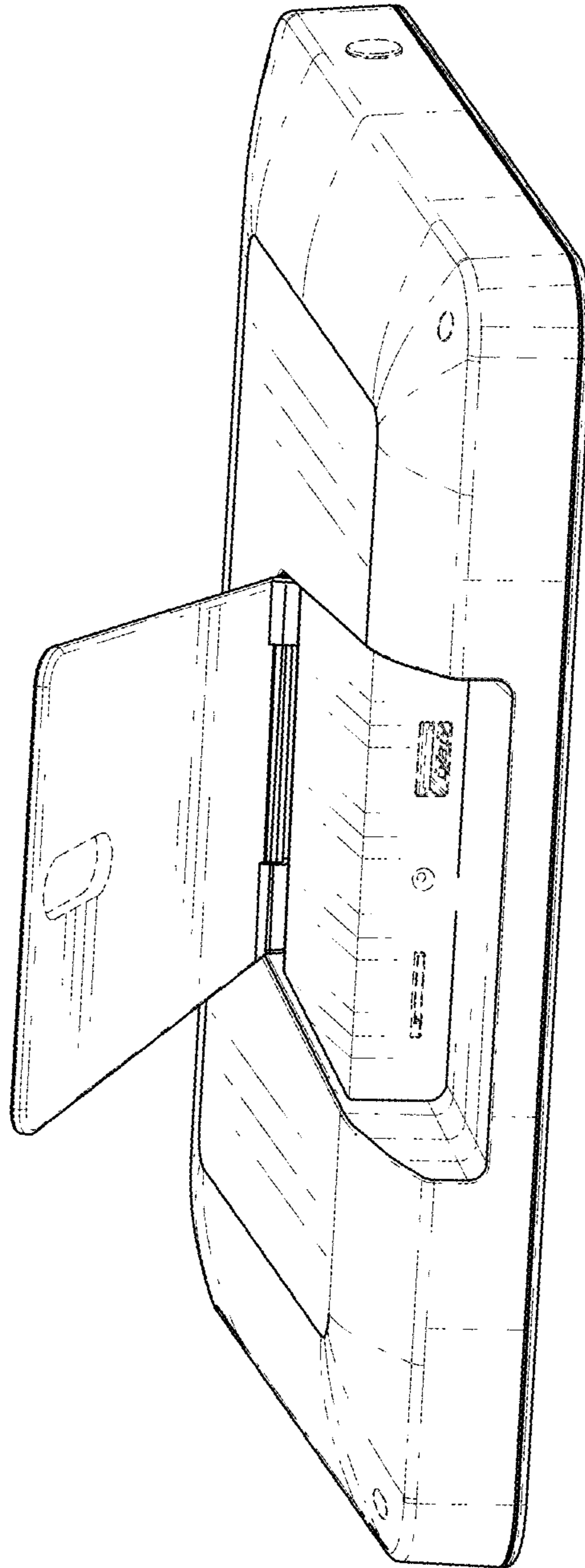


FIG. 3

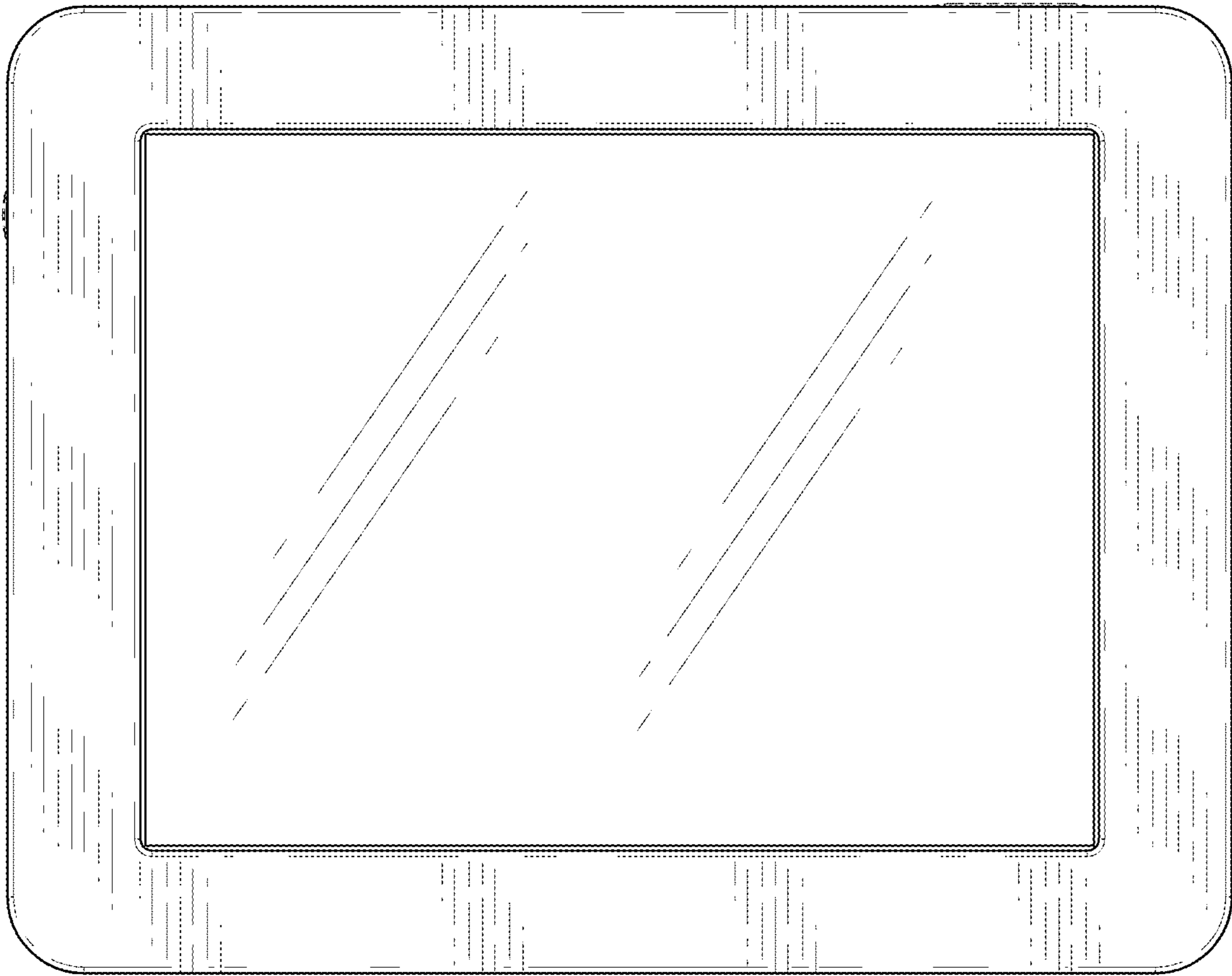


FIG. 4

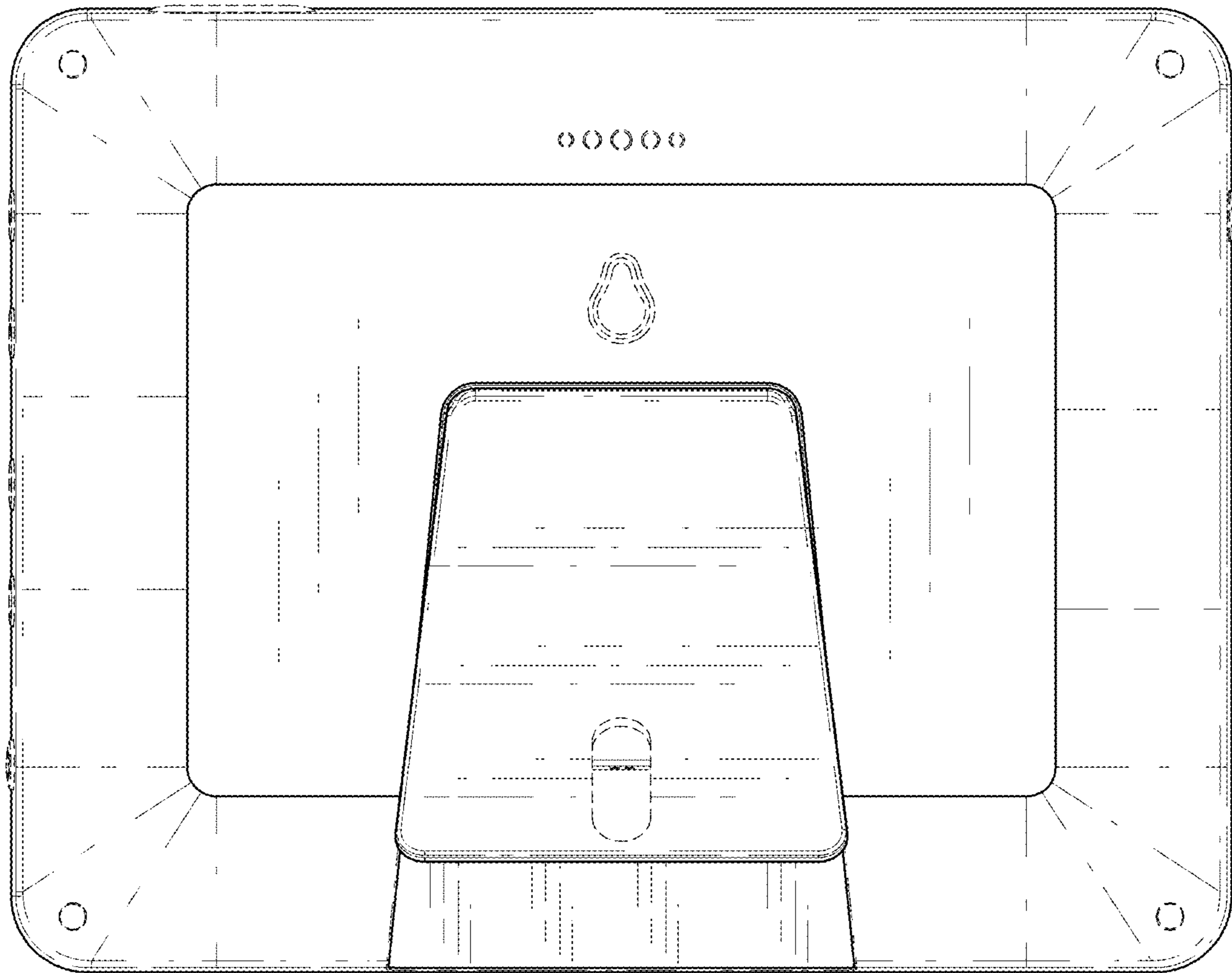


FIG. 5

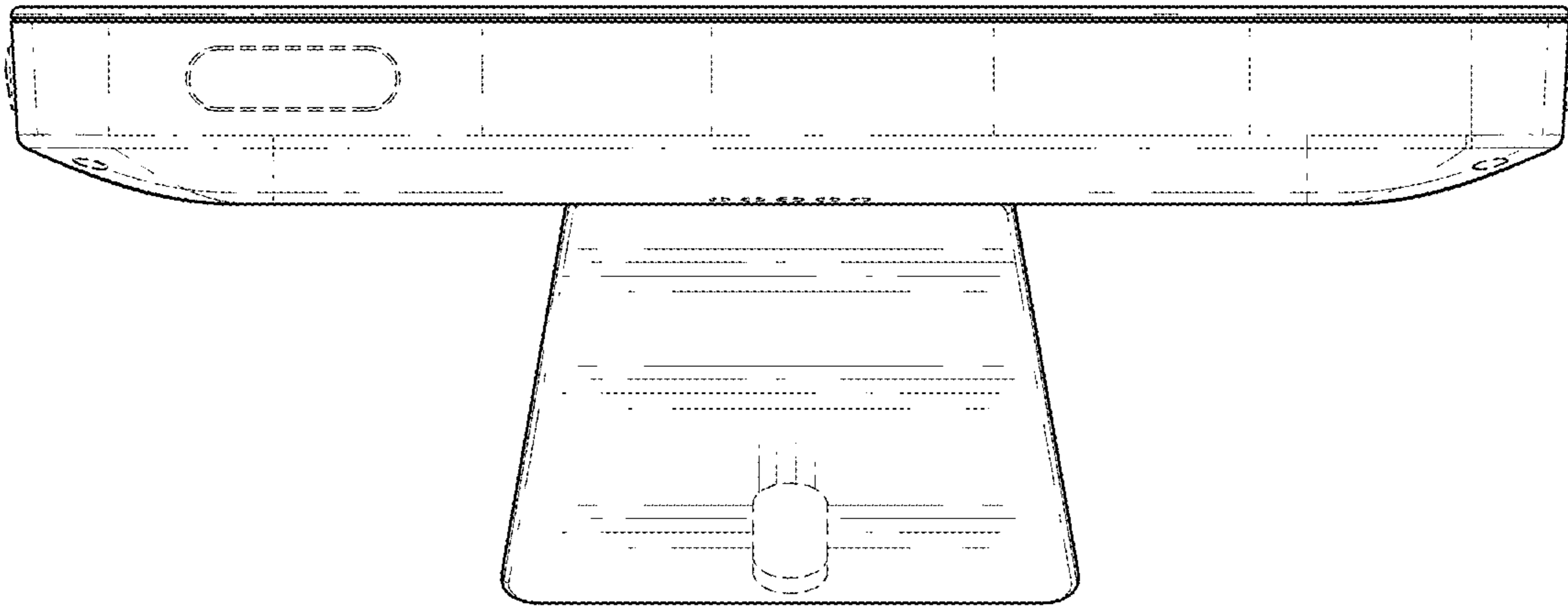


FIG. 6

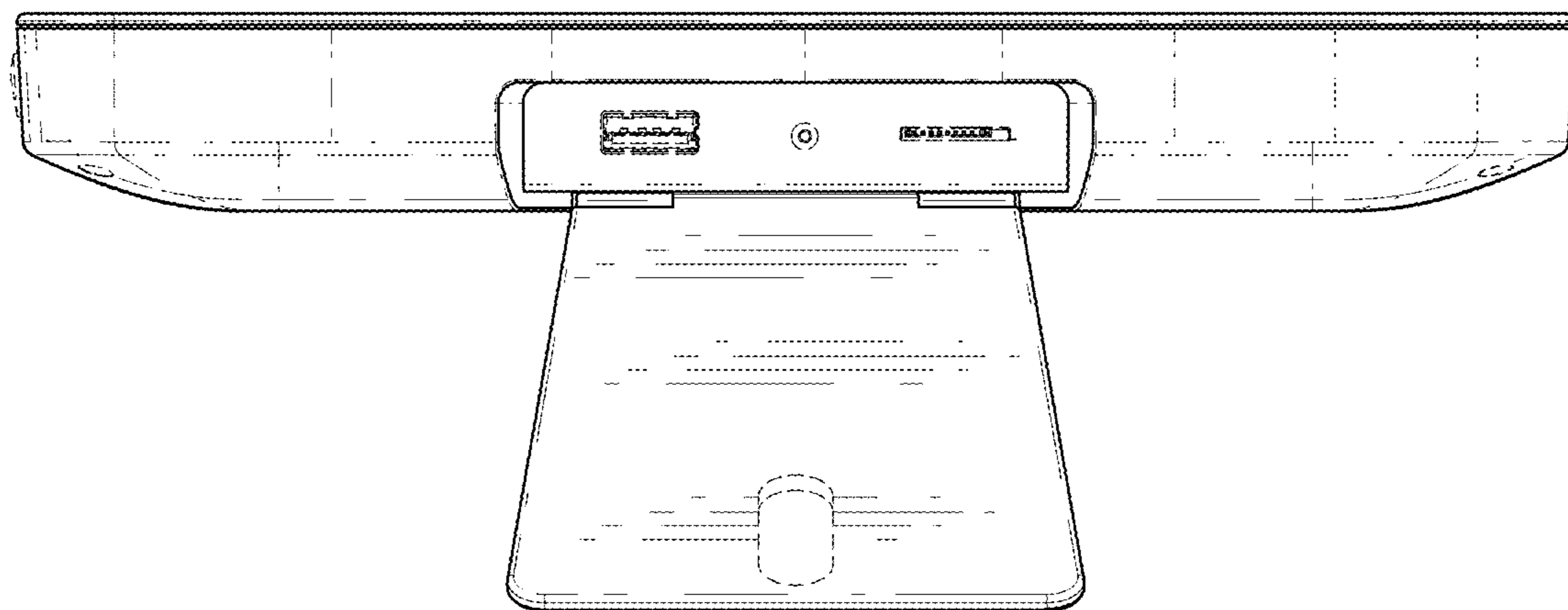


FIG. 7



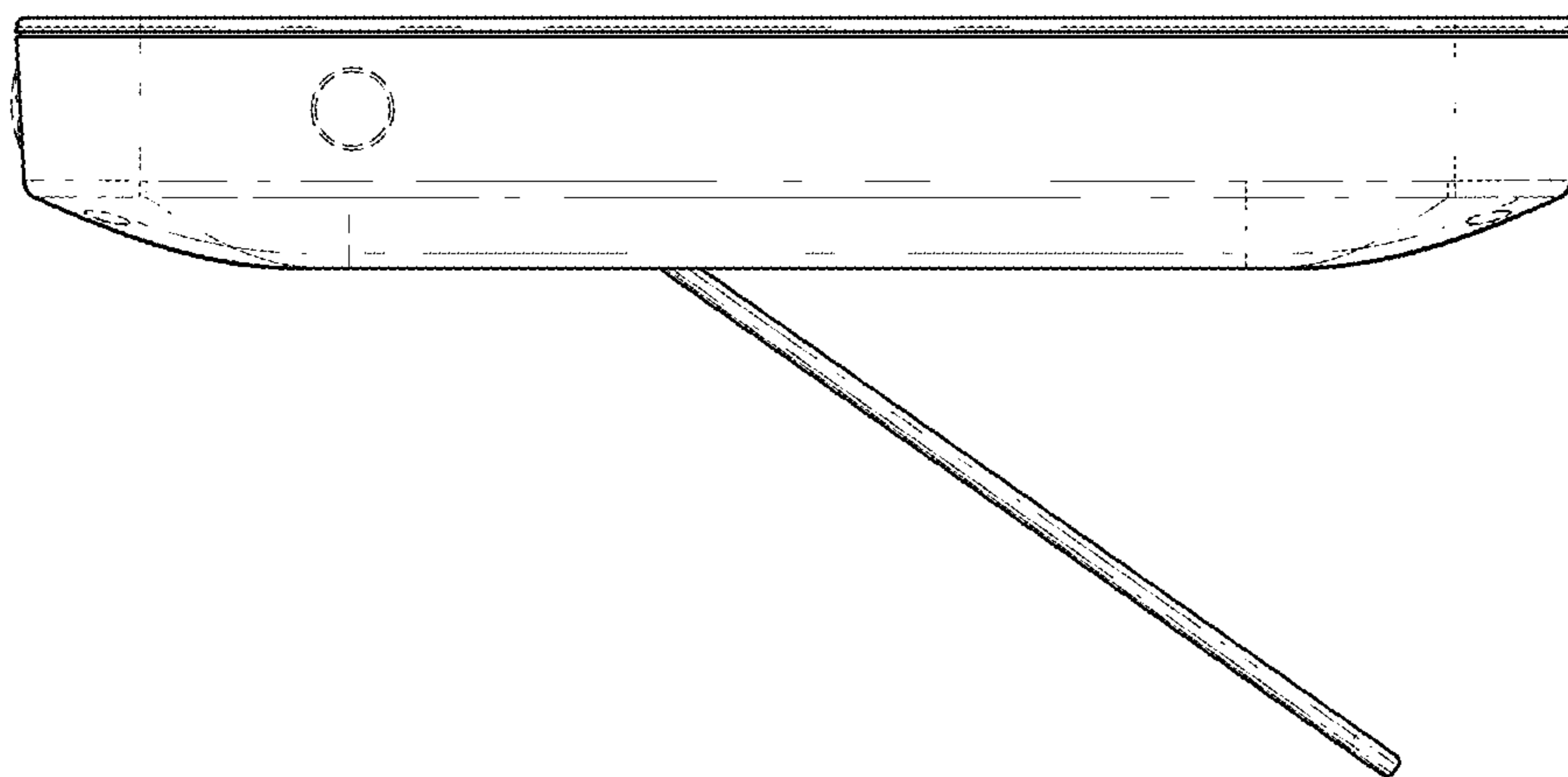


FIG. 8

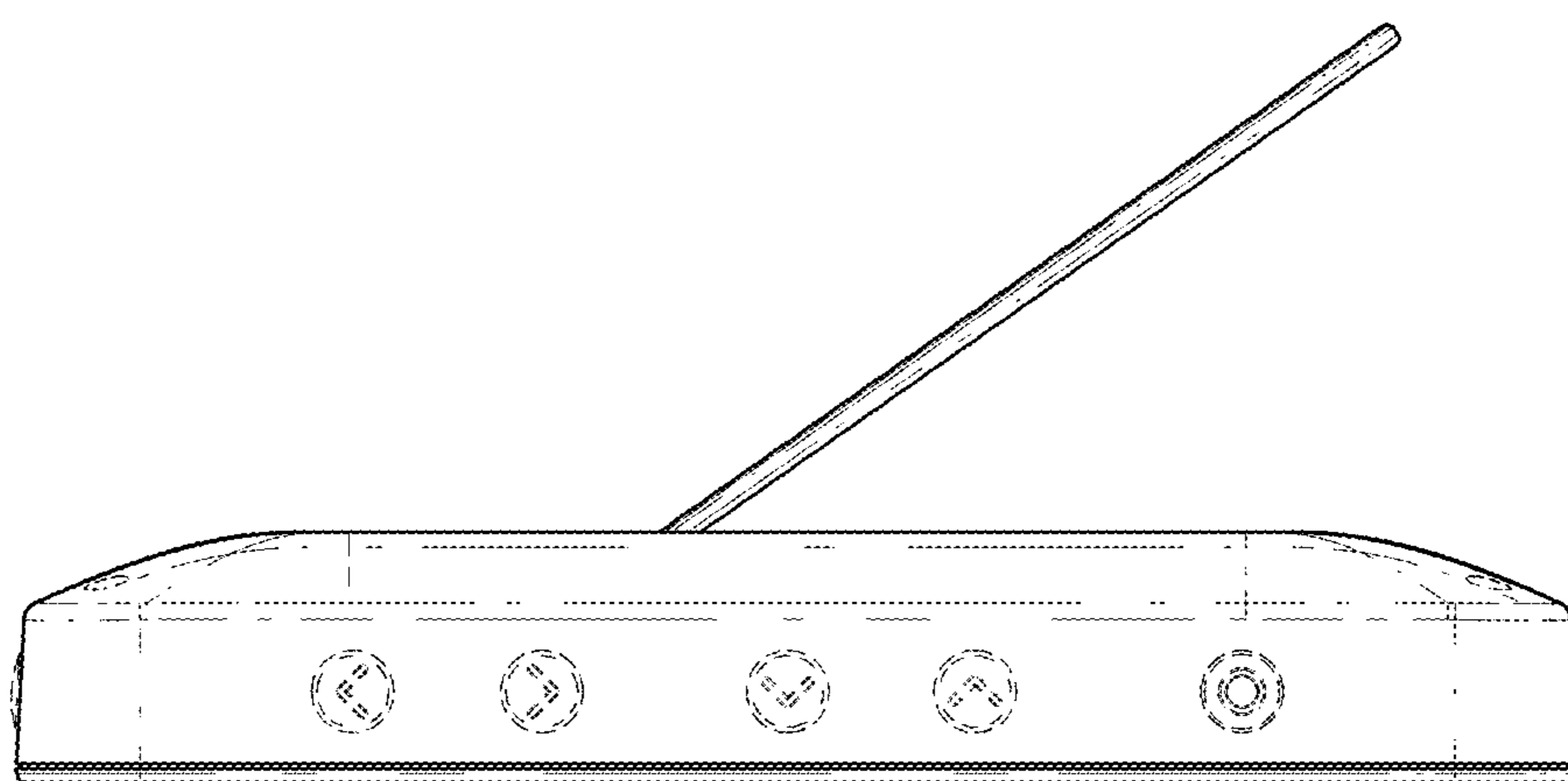


FIG. 9

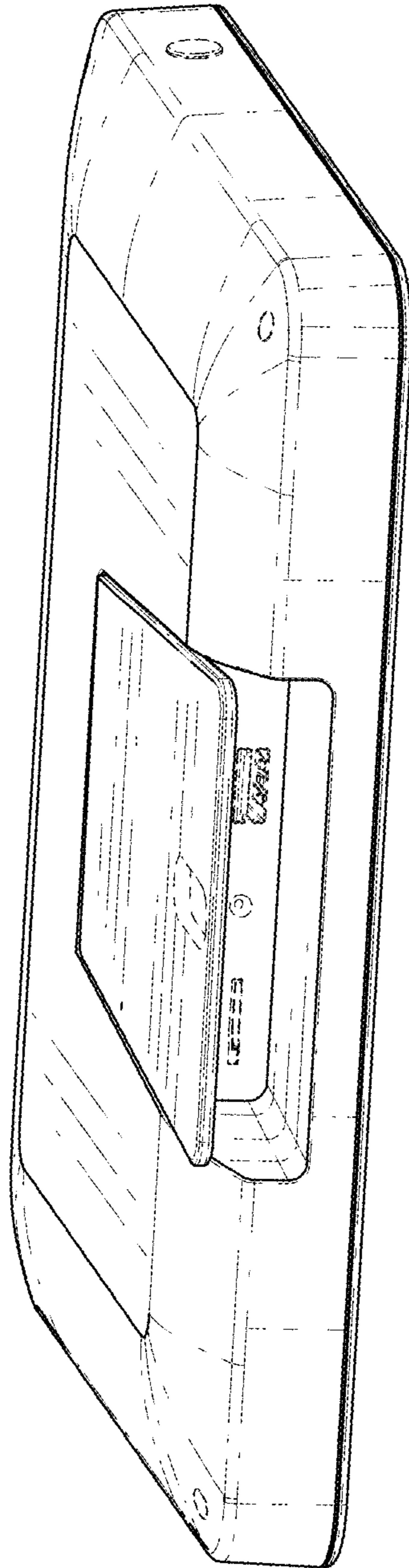


FIG. 10