



US00D935890S

(12) **United States Design Patent**
Dabrowski et al.

(10) **Patent No.:** **US D935,890 S**

(45) **Date of Patent:** **** Nov. 16, 2021**

(54) **BOTTLE**

(71) Applicant: **Société des Produits Nestlé S.A.**,
Vevey (CH)

(72) Inventors: **Nicolas Dabrowski**, Vittel (FR); **Stuart Leslie**, New York, NY (US)

(73) Assignee: **Nestlé Waters North America Holdings, Inc.**, Stamford, CT (US)

(**) Term: **15 Years**

(21) Appl. No.: **29/657,516**

(22) Filed: **Jul. 23, 2018**

(30) **Foreign Application Priority Data**

Apr. 13, 2018 (EP) 005233475

(51) **LOC (13) Cl.** **09-01**

(52) **U.S. Cl.**
USPC **D9/552**

(58) **Field of Classification Search**
USPC D9/522, 530, 537, 542, 549, 558, 572,
D9/573, 574, 690, 691, 694, 552
CPC B65D 1/02; B65D 1/0223; B65D 1/023;
B65D 1/0261; B65D 2501/0009; B65D
2501/0081; B65D 2501/009
See application file for complete search history.

(56) **References Cited**

U.S. PATENT DOCUMENTS

D552,477 S * 10/2007 Hermel D9/516
D560,501 S * 1/2008 Kim D9/539
D561,595 S * 2/2008 Le Bras-Brown D9/500
D581,285 S * 11/2008 Lepoitevin D9/520

D732,340 S * 6/2015 Kane D7/509
D734,640 S * 7/2015 Broen D7/529
D735,580 S * 8/2015 Bourne D9/538
D767,404 S * 9/2016 Eaton D9/538

* cited by examiner

Primary Examiner — Janice Patyk

(74) *Attorney, Agent, or Firm* — Finnegan, Henderson,
Farabow, Garrett & Dunner, LLP

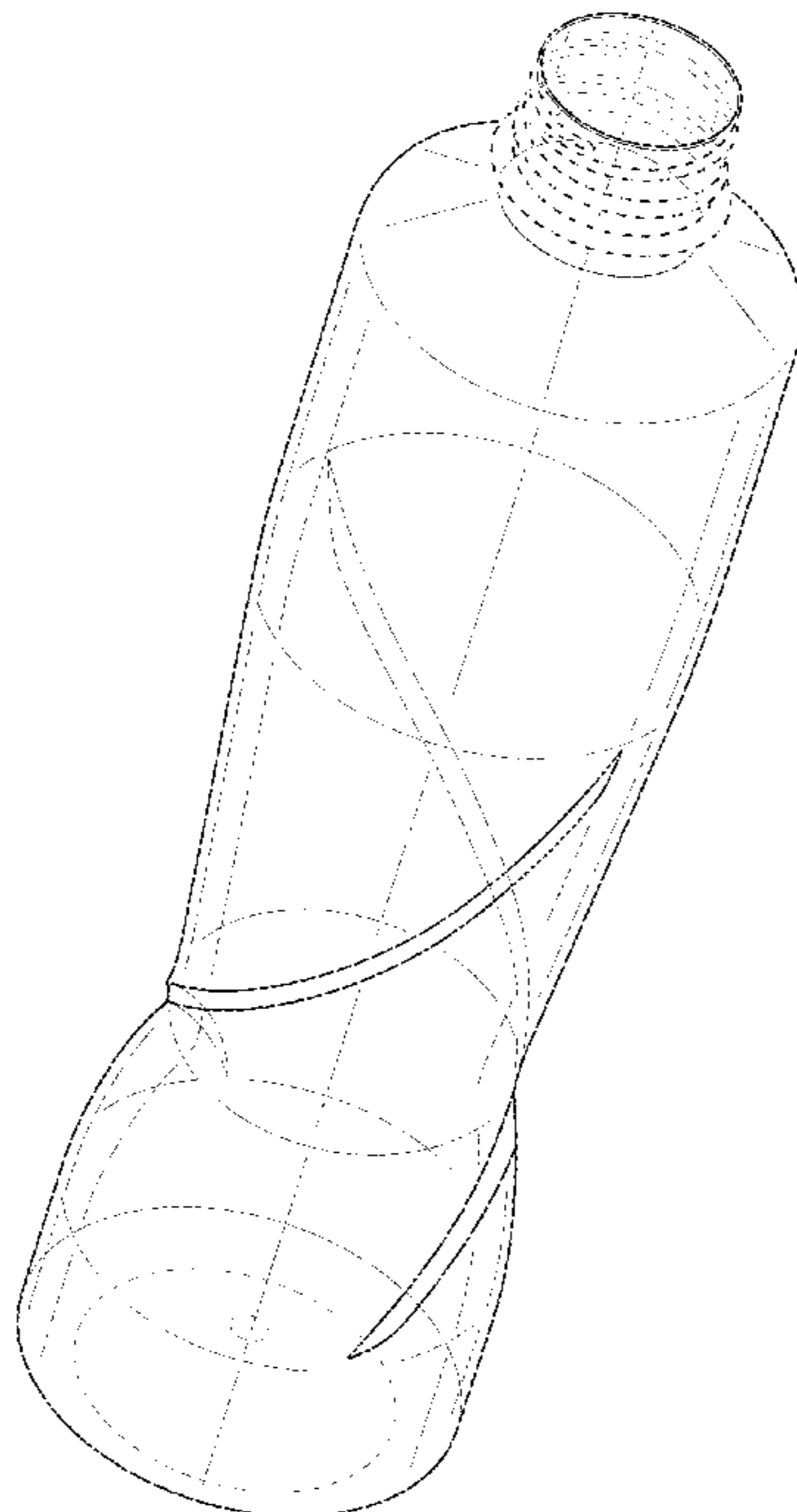
(57) **CLAIM**

The ornamental design for a bottle, as shown and described.

DESCRIPTION

FIG. 1 is a top, front, left side perspective view of a bottle showing our new design;
FIG. 2 is a front elevation view thereof;
FIG. 3 is a rear elevation view thereof;
FIG. 4 is a left-side view thereof;
FIG. 5 is a right-side view thereof;
FIG. 6 is a top-plan view thereof; and,
FIG. 7 is a bottom-plan view thereof.
The broken lines in the figures illustrate the portions of the design that form no part of the claimed design.

1 Claim, 7 Drawing Sheets



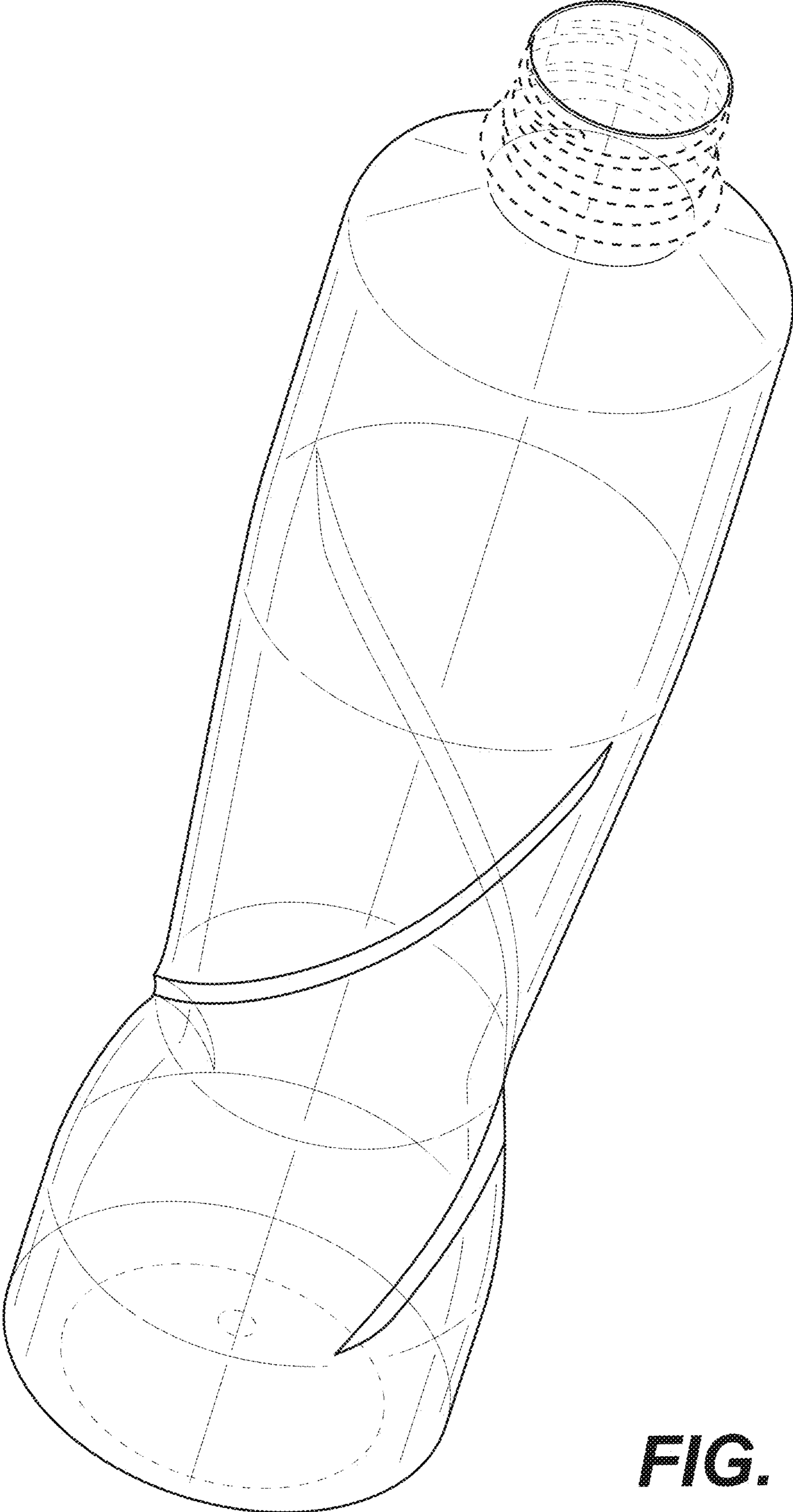


FIG. 1

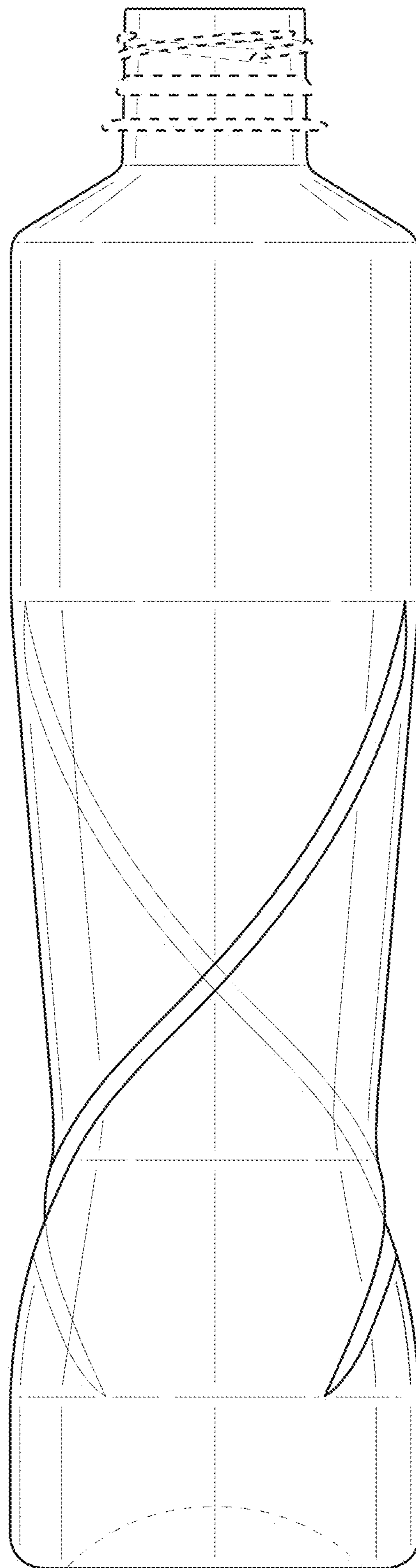


FIG. 2

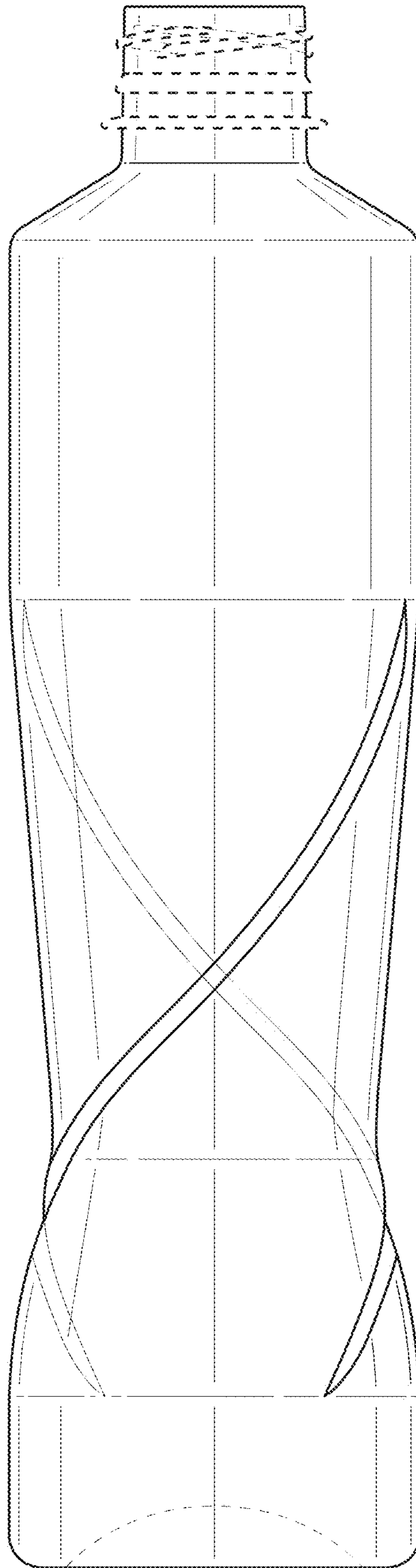


FIG. 3

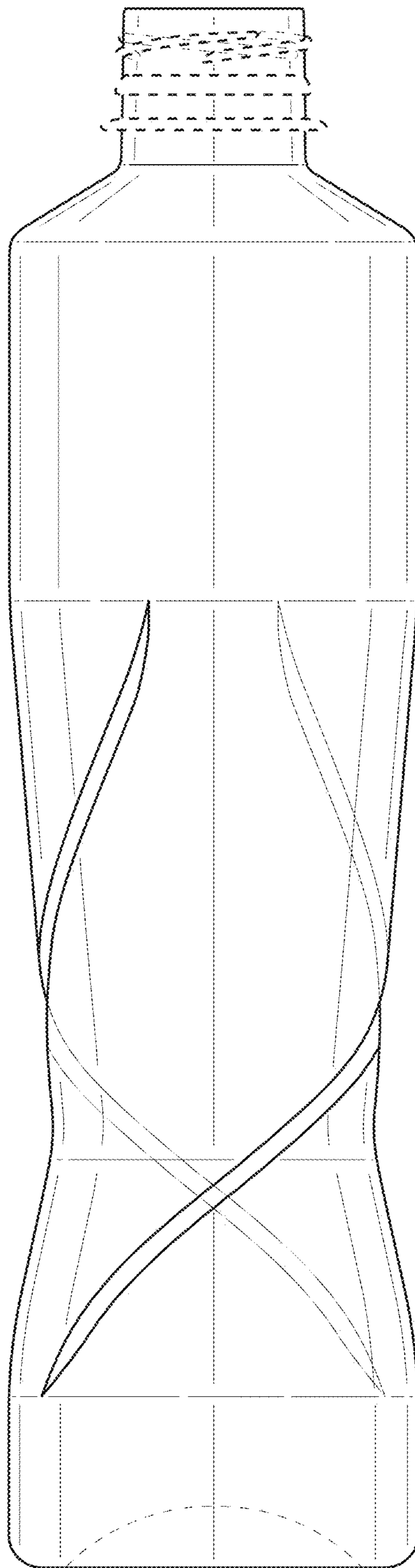


FIG. 4

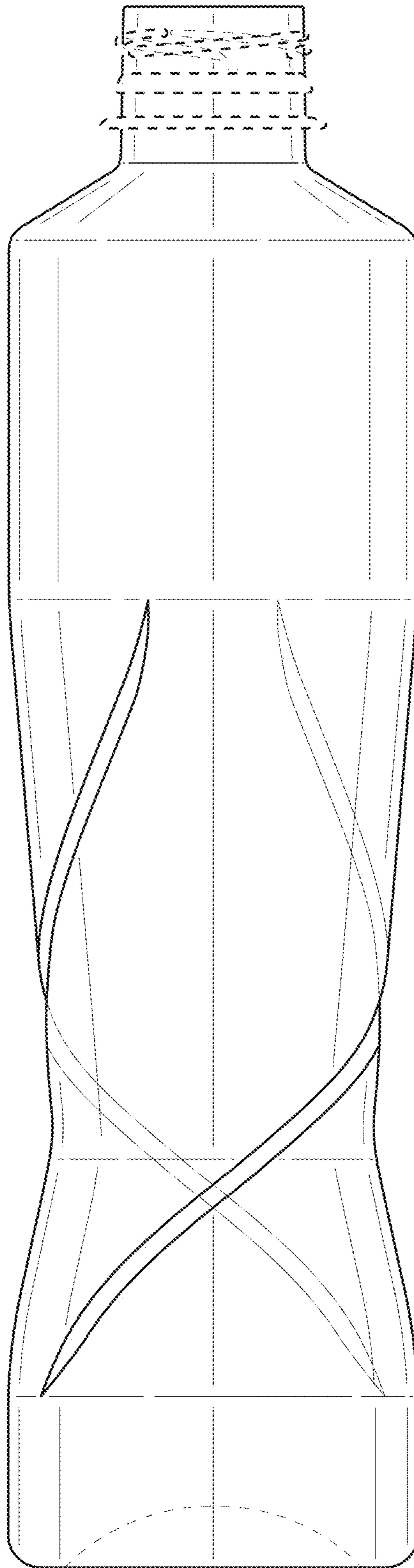


FIG. 5

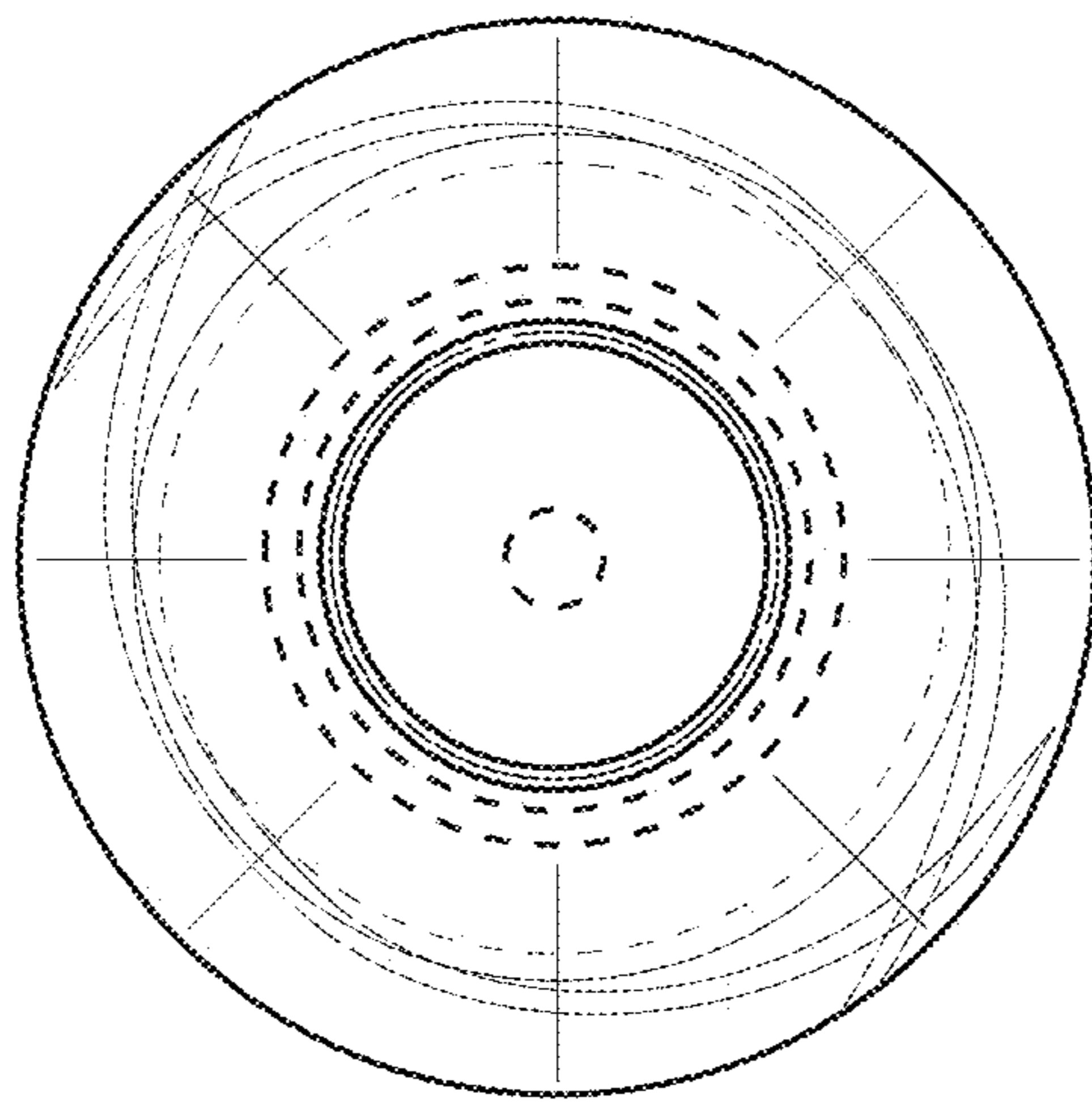


FIG. 6

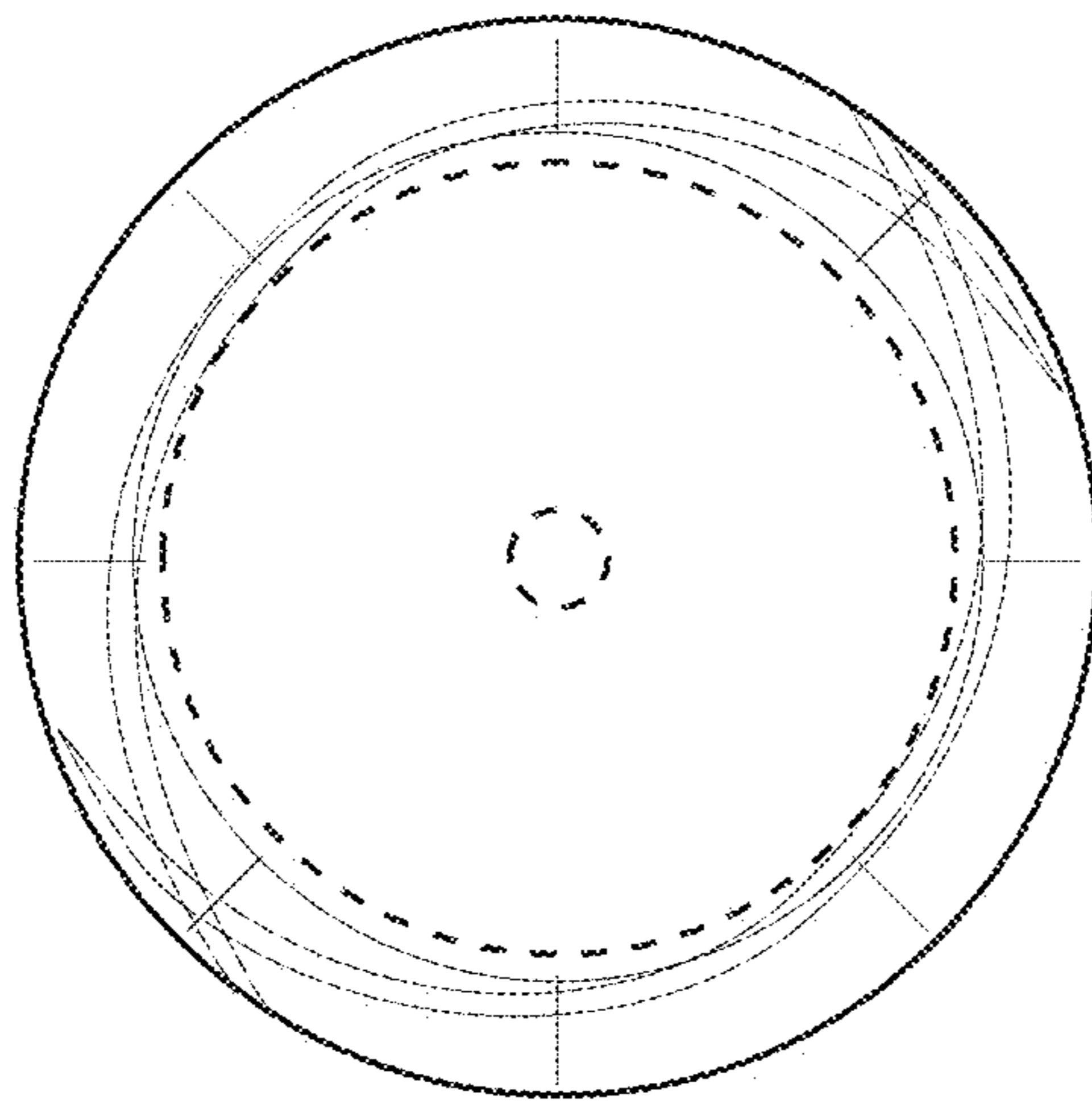


FIG. 7