



US00D935889S

(12) **United States Design Patent**  
**Bodum**

(10) **Patent No.:** **US D935,889 S**

(45) **Date of Patent:** **\*\* Nov. 16, 2021**

(54) **CONTAINER**

(71) Applicant: **PI-Design AG**, Triengen (CH)

(72) Inventor: **Jorgen Bodum**, Meggen (CH)

(73) Assignee: **PI-DESIGN AG**, Triengen (CH)

(\*\*) Term: **15 Years**

(21) Appl. No.: **29/733,793**

(22) Filed: **May 6, 2020**

(30) **Foreign Application Priority Data**

Jan. 30, 2020 (WO) ..... WIPO91630

(51) **LOC (13) Cl.** ..... **09-01**

(52) **U.S. Cl.**  
USPC ..... **D9/550; D9/563**

(58) **Field of Classification Search**  
USPC ..... D9/500–505, 516, 519, 523, 529, 549,  
D9/550, 556, 558, 563, 575, 547, 548  
CPC .... B65D 1/0246; B65D 41/04; B65D 1/0223;  
B65D 2543/00092; Y10S 220/906  
See application file for complete search history.

(56) **References Cited**

**U.S. PATENT DOCUMENTS**

769,615 A \* 9/1904 Kosansvich ..... B65D 21/0231  
215/10  
D400,107 S \* 10/1998 Krunas ..... D9/563  
D429,154 S \* 8/2000 Chang ..... D9/503  
D483,265 S \* 12/2003 Maffei ..... D9/500  
D704,065 S \* 5/2014 de Lima Paschoal ..... D9/529  
D741,603 S \* 10/2015 Mehta ..... D9/503  
D744,846 S \* 12/2015 Koop ..... D9/550  
D745,408 S \* 12/2015 Koop ..... D9/550  
D766,093 S \* 9/2016 Otani ..... D9/560

D801,190 S \* 10/2017 Bertaux ..... D9/503  
D845,132 S \* 4/2019 Otani ..... D9/503  
D879,559 S \* 3/2020 Lowette ..... D9/550  
D879,560 S \* 3/2020 Lowette ..... D9/550  
D886,632 S \* 6/2020 Ahn ..... D9/503  
D900,615 S \* 11/2020 Gautier ..... D9/503

**FOREIGN PATENT DOCUMENTS**

EM 002224527-0002 \* 7/2015  
JP D1502010 \* 7/2014

**OTHER PUBLICATIONS**

PI-Design AG, U.S. Appl. No. 29/733,786, filed May 6, 2020.

\* cited by examiner

*Primary Examiner* — Michael C Stout

*Assistant Examiner* — Rani J Abdallah

(74) *Attorney, Agent, or Firm* — McDonnell Boehnen  
Hulbert & Berghoff LLP

(57) **CLAIM**

The ornamental design for a container, as shown and described.

**DESCRIPTION**

FIG. 1 is a perspective view of a container showing my new design;

FIG. 2 is a front view thereof;

FIG. 3 is a rear view thereof;

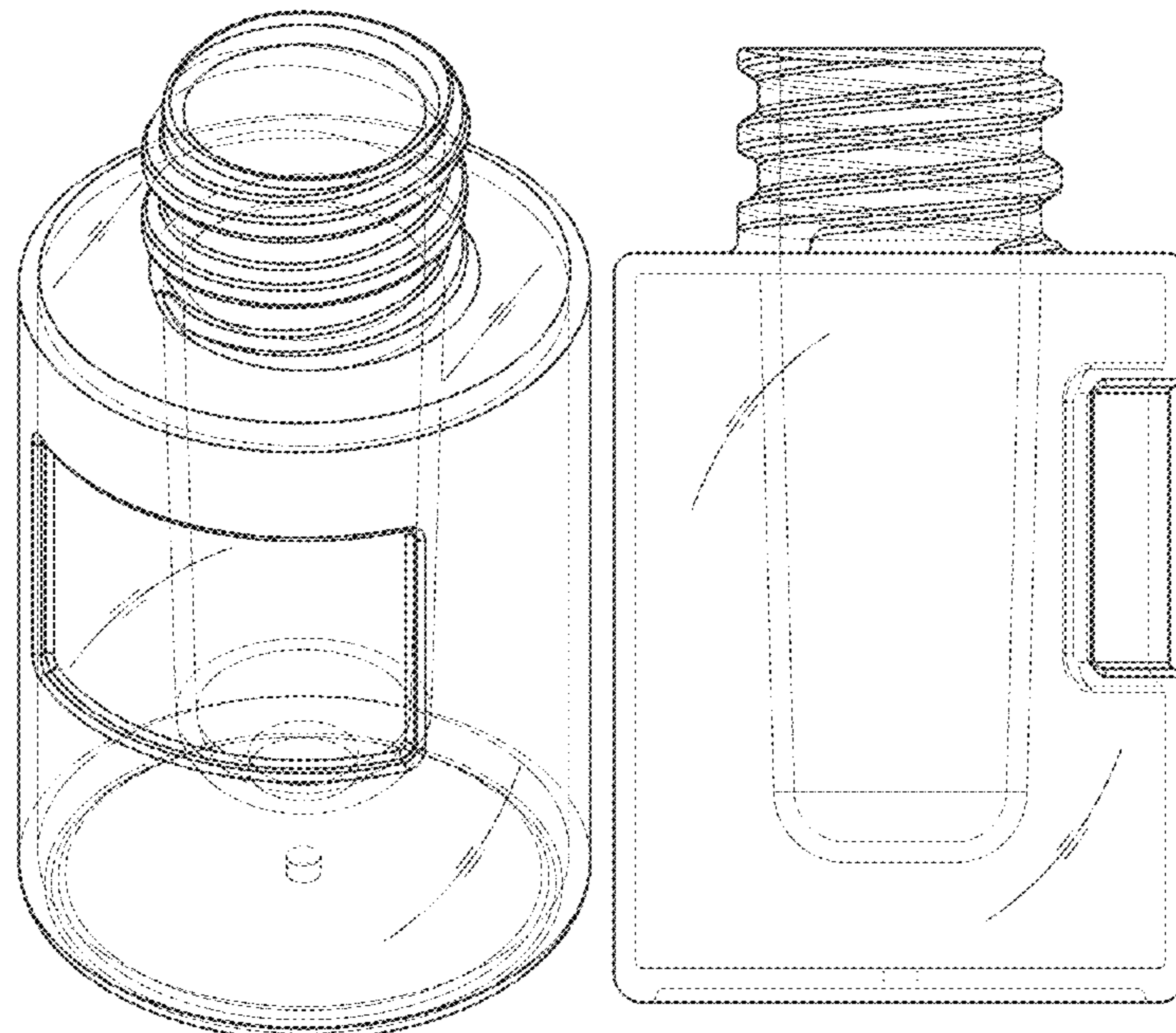
FIG. 4 is a left side view thereof;

FIG. 5 is a right side view thereof;

FIG. 6 is a top view thereof; and,

FIG. 7 is a bottom view thereof.

**1 Claim, 7 Drawing Sheets**



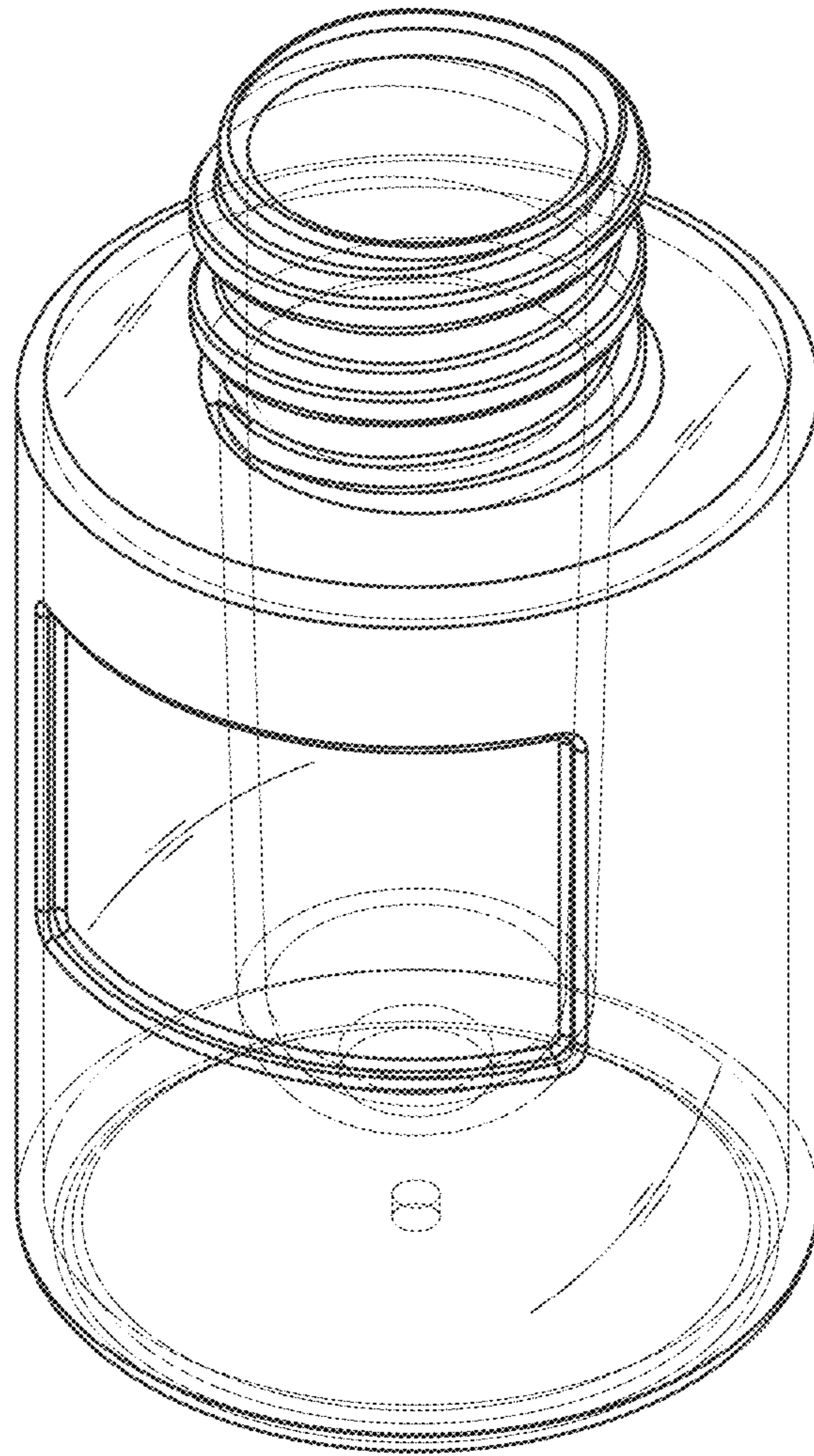


FIG. 1

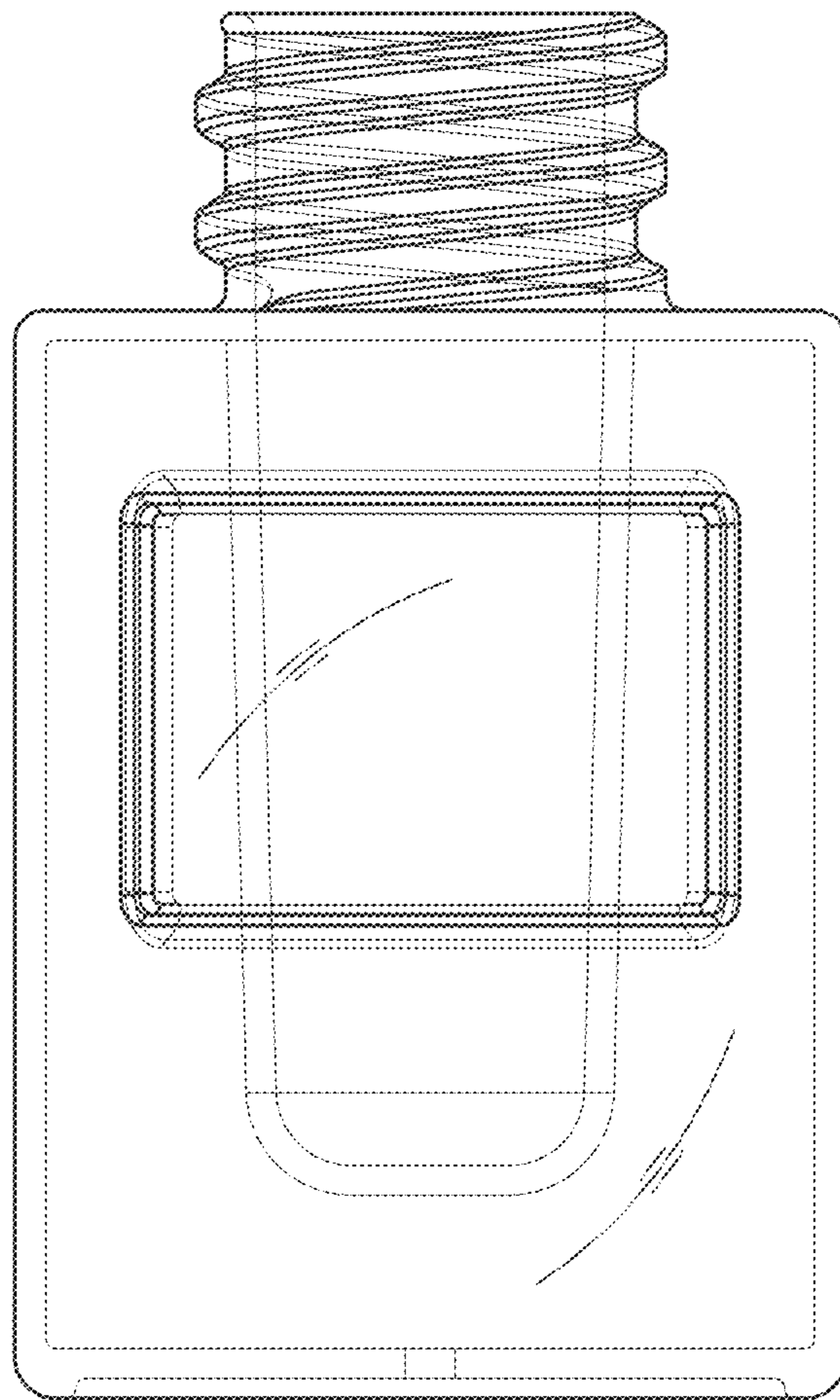


FIG. 2

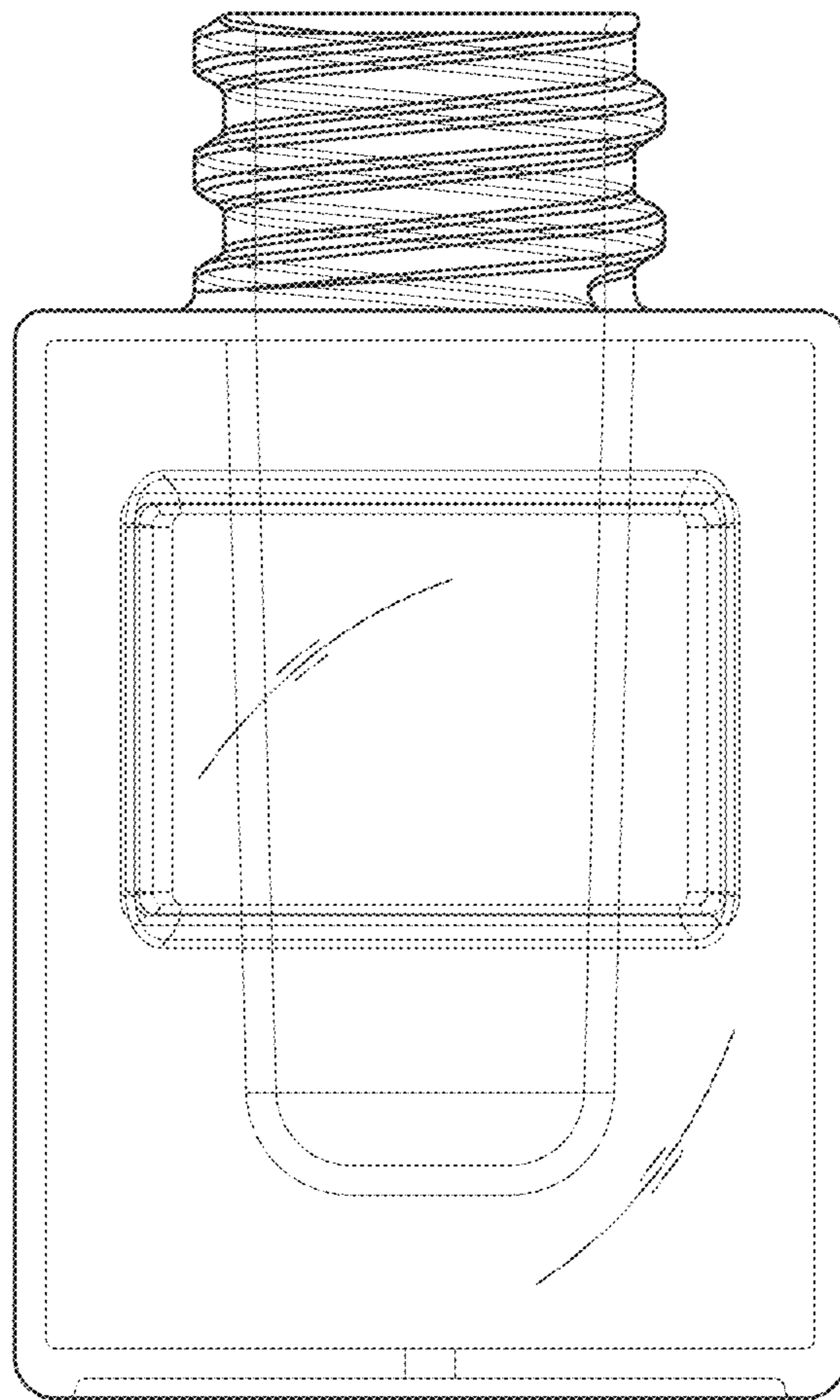


FIG. 3

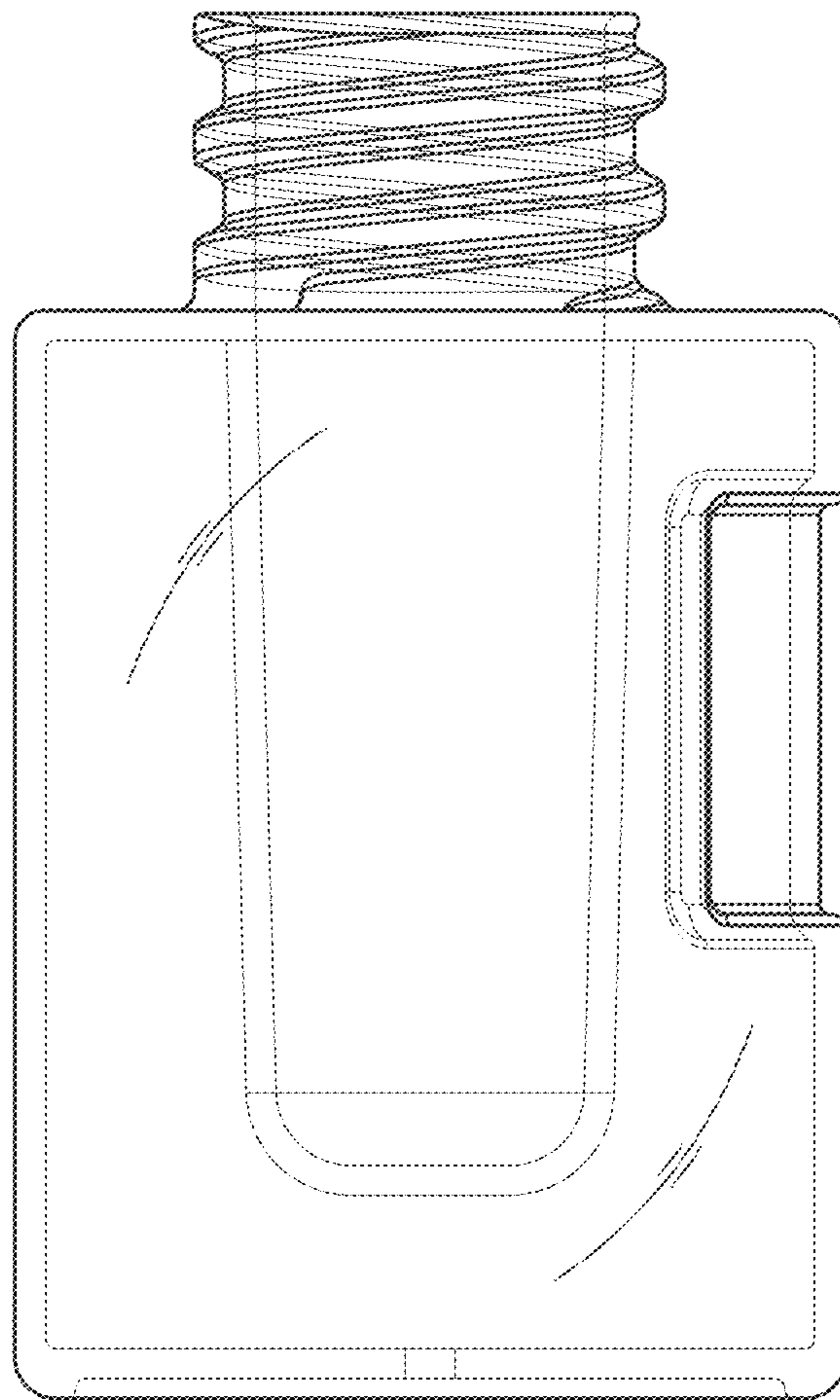


FIG. 4

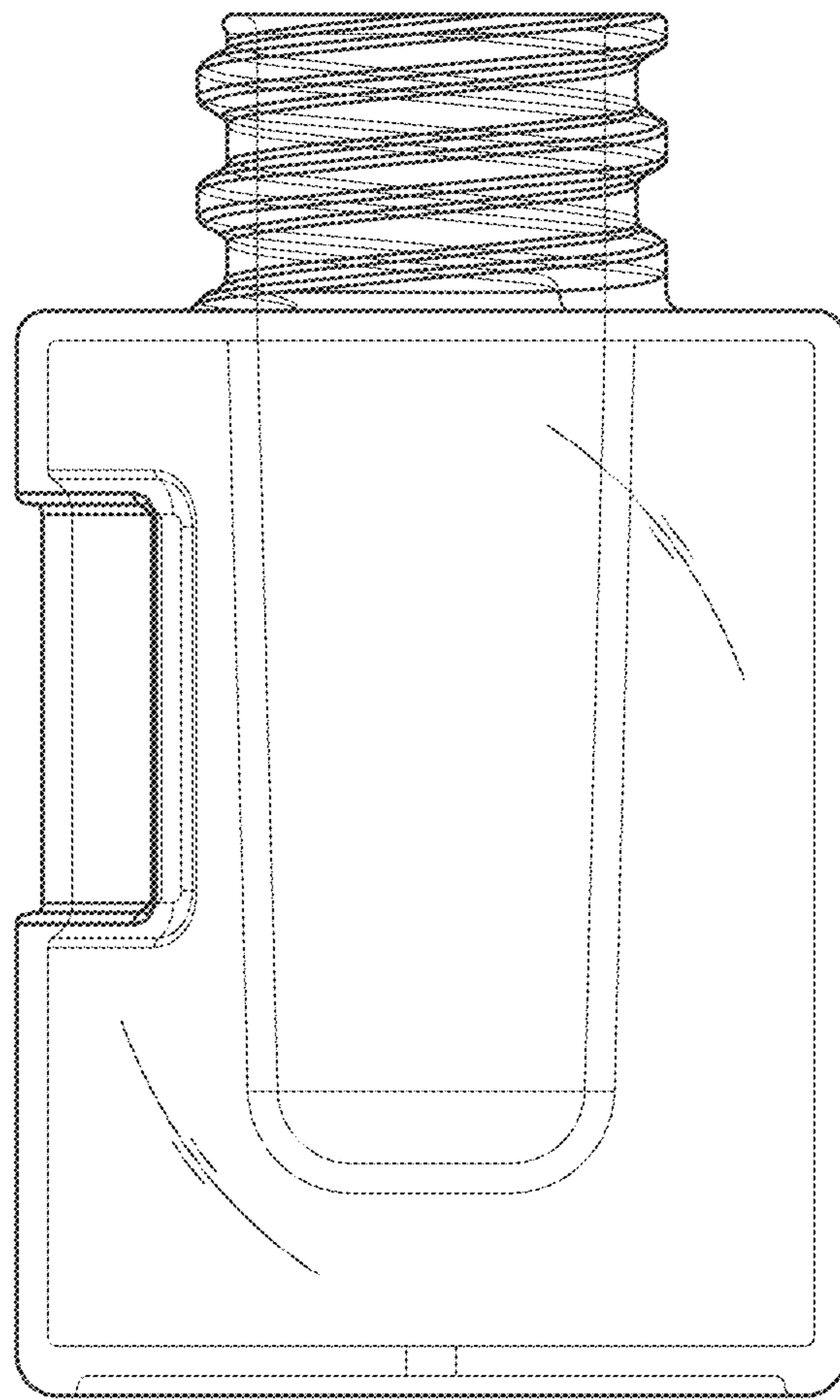


FIG. 5

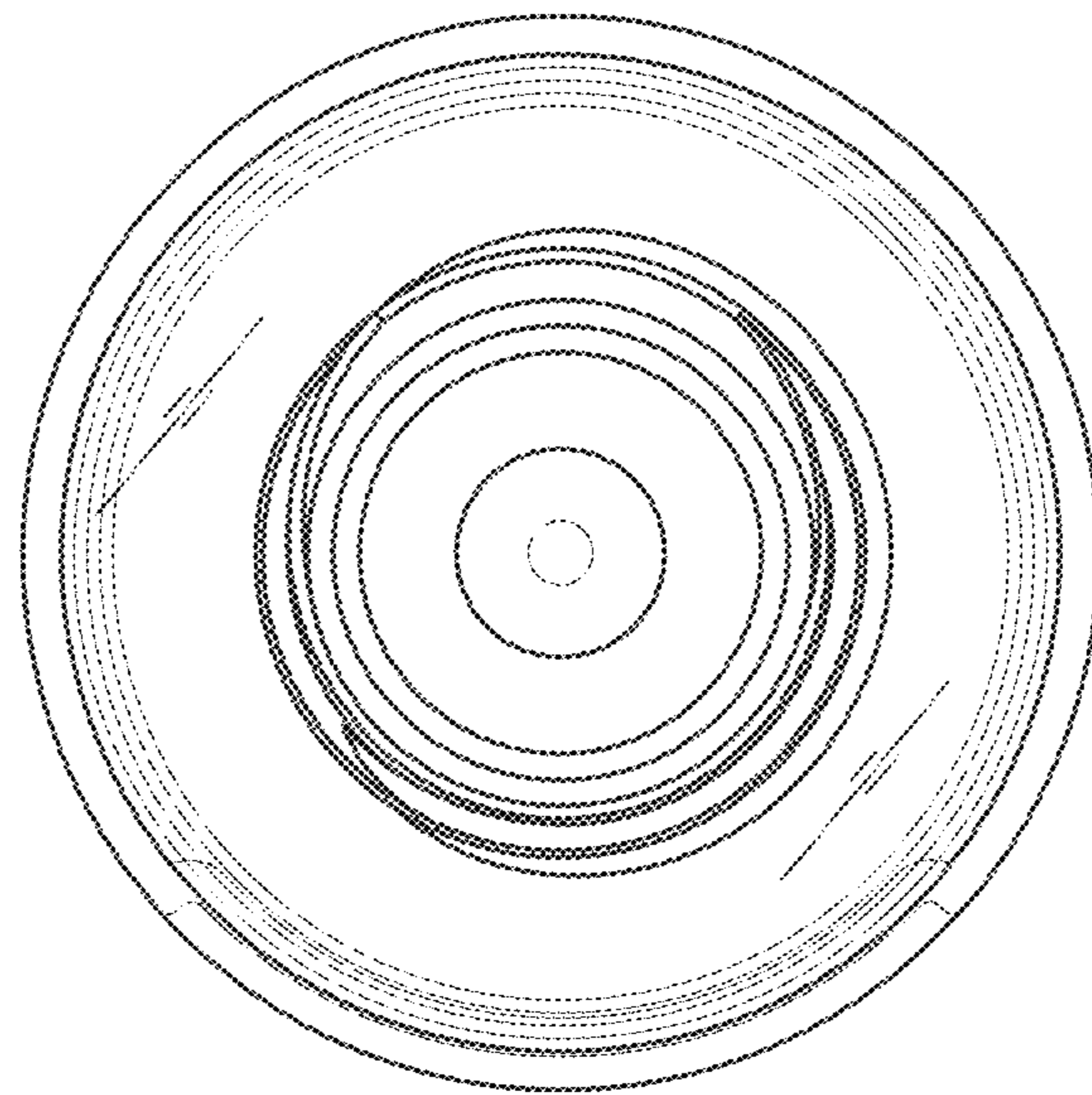


FIG. 6

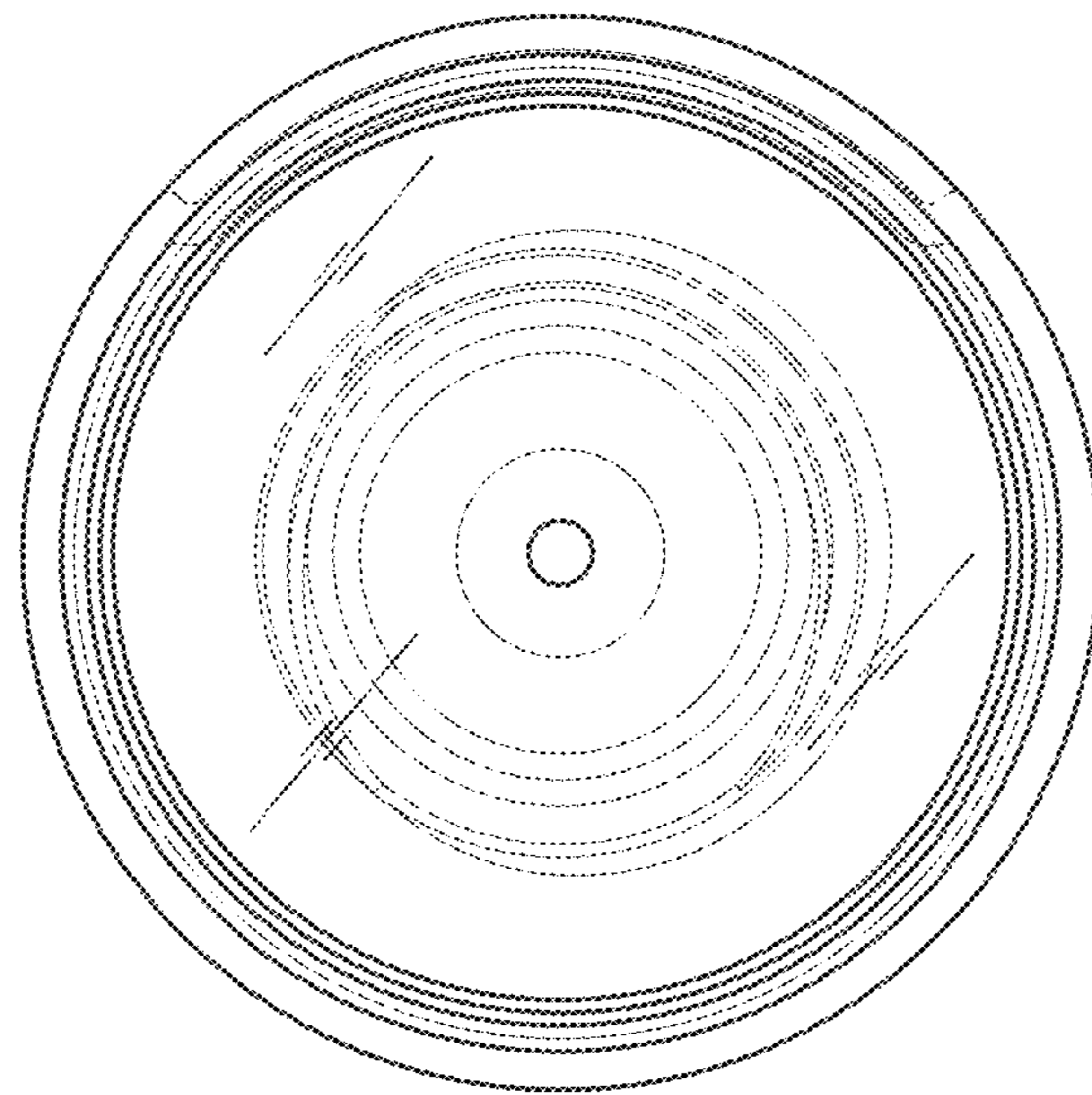


FIG. 7