



US00D935888S

(12) **United States Design Patent** (10) **Patent No.:** **US D935,888 S**
Pierangelino (45) **Date of Patent:** **** Nov. 16, 2021**

(54) **BOTTLE**
(71) Applicant: **Edward S. Pierangelino**, Panama City Beach, FL (US)
(72) Inventor: **Edward S. Pierangelino**, Panama City Beach, FL (US)
(**) Term: **15 Years**

D753,509 S * 4/2016 Bruining D9/543
D762,481 S 8/2016 Zaima et al.
D775,530 S 1/2017 Gayner et al.
D788,899 S * 6/2017 Valentino D9/558
D792,234 S 7/2017 Varderesian
D801,824 S * 11/2017 Marotti D9/575
D814,934 S * 4/2018 Jasso Gomez D9/543
D816,983 S 5/2018 LiCalsi
D817,632 S 5/2018 Lyon et al.
D824,259 S 7/2018 Elias et al.
D908,012 S * 1/2021 Stadelmaier D9/542

(21) Appl. No.: **29/685,185**

(22) Filed: **Mar. 27, 2019**

(51) **LOC (13) Cl.** **09-01**

(52) **U.S. Cl.**
USPC **D9/522; D9/543**

(58) **Field of Classification Search**
USPC D9/521, 522, 529, 530, 536, 542-545, D9/549, 552, 558, 573-575, 454, 504, D9/563, 524, 684, 689, 691; D3/202
CPC .. A45D 34/041; B65D 1/0223; B65D 23/102; B65D 2501/0081
See application file for complete search history.

(56) **References Cited**

U.S. PATENT DOCUMENTS

D439,522 S 3/2001 Blaakman
D496,280 S * 9/2004 Mero D9/552
D503,341 S * 3/2005 Delmotte D9/552
D509,436 S * 9/2005 Mero D9/552
D509,746 S * 9/2005 Mero D9/558
D510,271 S * 10/2005 Mero D9/552
D559,114 S * 1/2008 Breitlander D9/542
D559,694 S * 1/2008 Le Bras-Brown D9/552
D589,813 S 4/2009 Rica
D646,979 S 10/2011 Shaw et al.
D684,863 S * 6/2013 Snyder D9/522
D702,433 S 4/2014 Romley
D720,620 S 1/2015 Gerard et al.
D720,923 S 1/2015 Hadden
D736,517 S 8/2015 Lee

OTHER PUBLICATIONS

A flat reusable plastic water bottle. Product review [online]. Ehud Eldan [retrieved on Dec. 7, 2017]. Retrieved from the Internet: <URL:http://ehudeldan.com/Vann>.

(Continued)

Primary Examiner — Brett Miller
Assistant Examiner — Rani J Abdallah
(74) *Attorney, Agent, or Firm* — Cramer Patent & Design, PLLC; Aaron R. Cramer

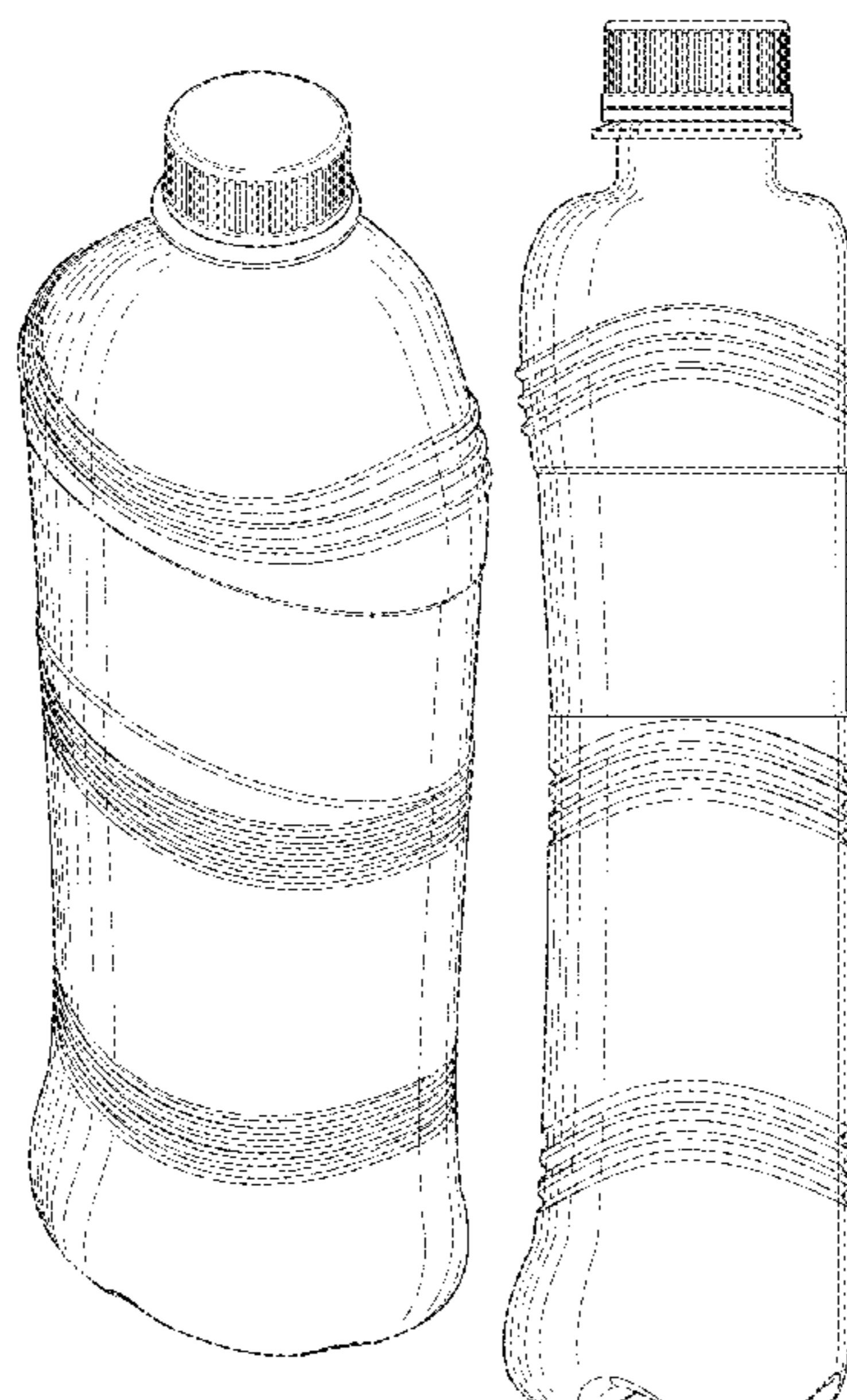
(57) **CLAIM**

The ornamental design for a bottle, as shown and described.

DESCRIPTION

FIG. 1 is a perspective top front left view of a bottle, showing my new design;
FIG. 2 is a front elevation view thereof;
FIG. 3 is a back elevation view thereof;
FIG. 4 is a left elevation view thereof;
FIG. 5 is a right elevation view thereof;
FIG. 6 is a top plan view thereof; and,
FIG. 7 is a bottom plan view thereof.
The broken lines shown illustrate portions of the bottle that form no part of the claimed design.

1 Claim, 7 Drawing Sheets



(56)

References Cited

U.S. PATENT DOCUMENTS

D917,294 S * 4/2021 Alima D9/552
2004/0020950 A1 2/2004 Overbay

OTHER PUBLICATIONS

Flat Clear Water Bottle—Best for Job, Sports, Travel, School-Leak Proof, BPA-Free, Pocket Plastic Flask—A5 Reusable Kids Camping, Gym, Tennis, Yoga Drinking Infuser Funnel w Wide Mouth and 4 Bonus. Product review [online]. EveningShops [retrieved on Dec. 7, 2017]. Retrieved from the Internet: <URL:http://eveningshops.com/flat-clear-water-bottle-best-for-job-sports-travel-school-leak-proof-bpa-free-pocket-plastic-flask-a5-reusable-kids-camping-gym-tennis-yoga-drinking-infuser-funnel-w-wide-mouth-and-4-bonus/>.

From dual armrests to reclining seats that don't crush passengers' knees: Are these the economy plane seats of the future? Newspaper article [online]. By Travelmail Reporter [Published on Jul. 8, 2014]. Retrieved from the Internet <URL: https://www.dailymail.co.uk/travel/article-2684561/From-dual-armrests-reclining-seats-dont-crush-passengers-knees-economy-plane-seats-future.html>.

* cited by examiner

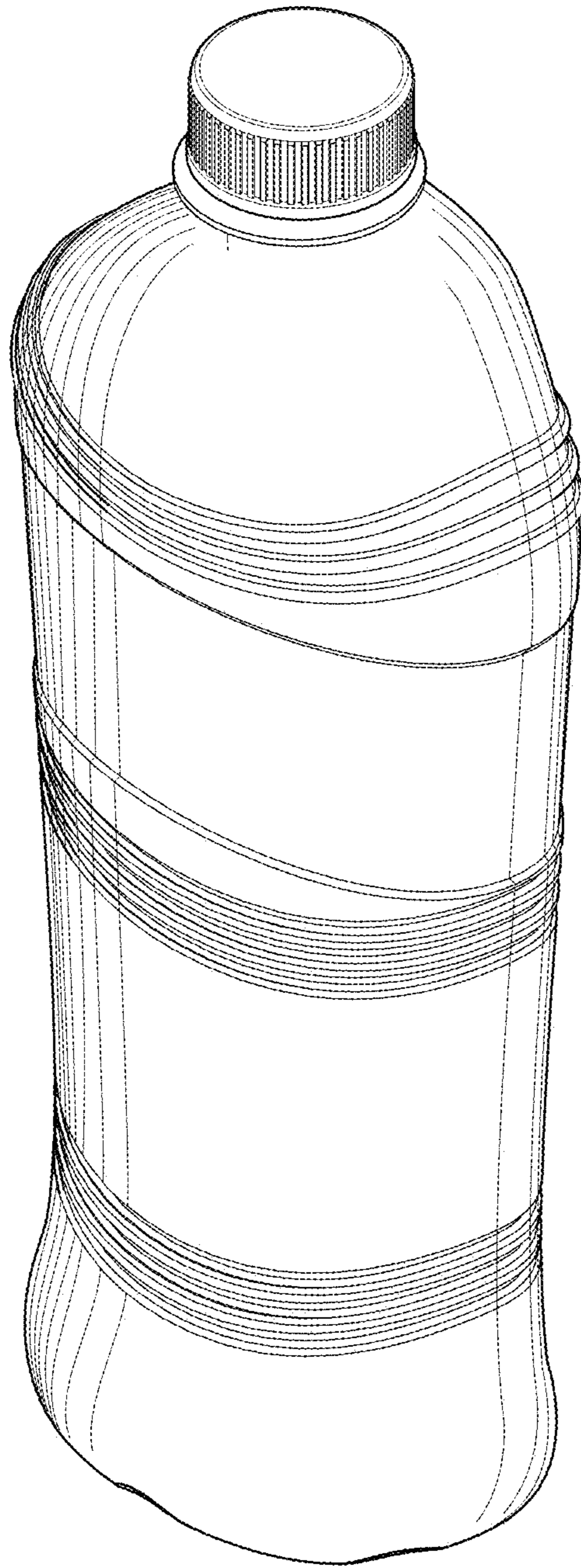


FIG. 1

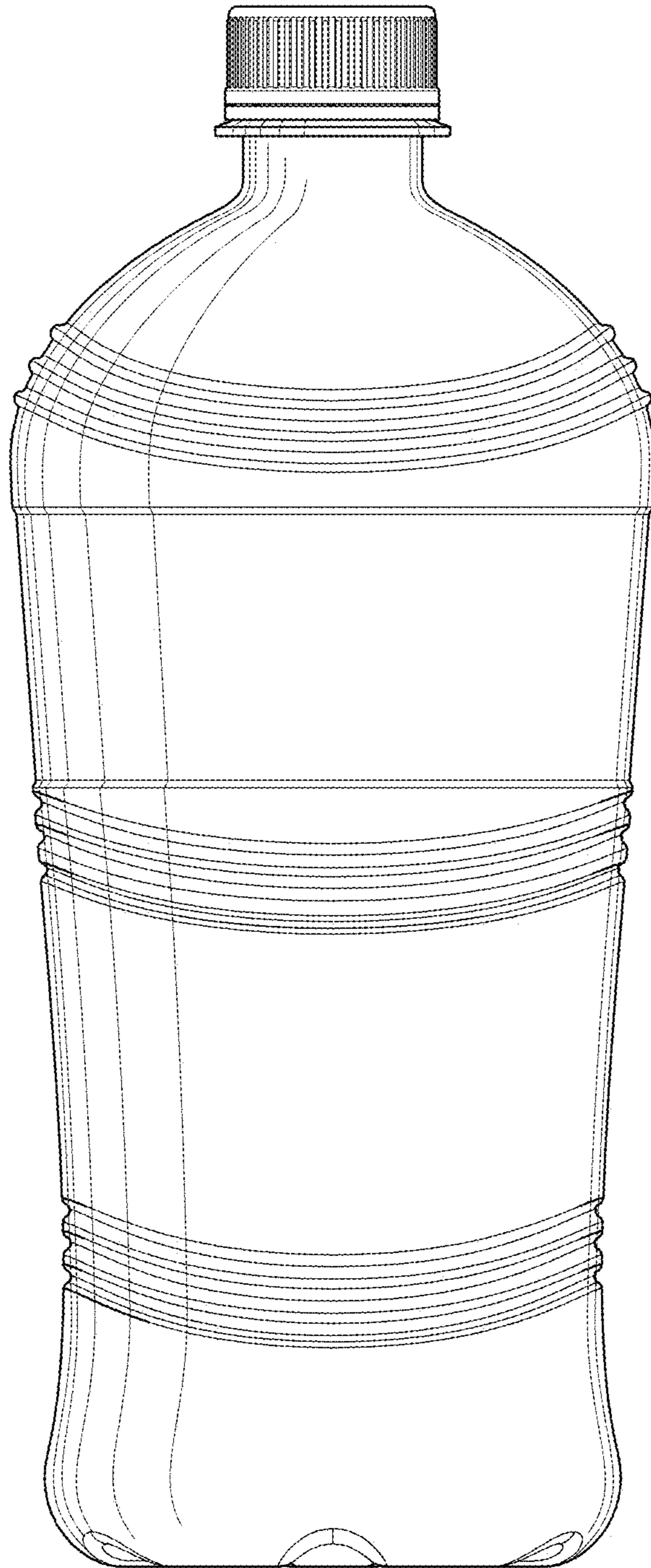


FIG. 2

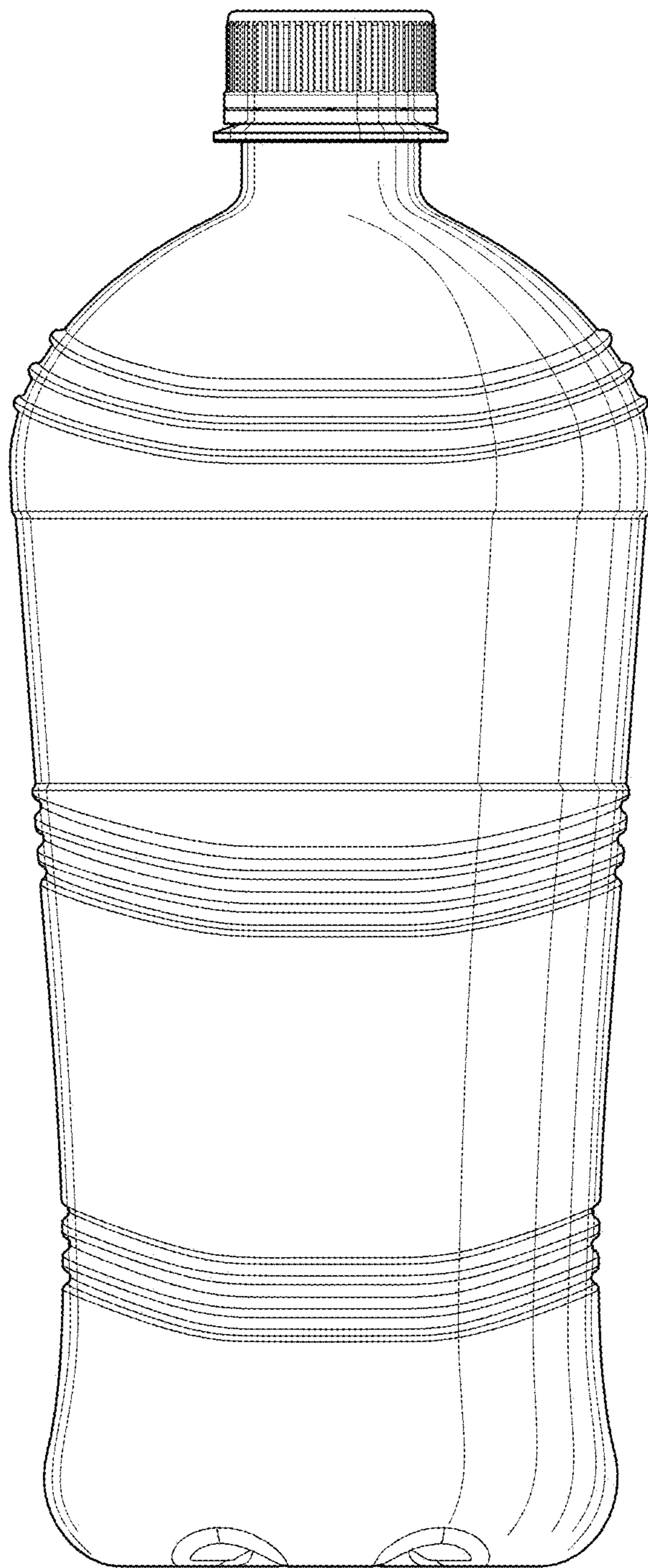


FIG. 3

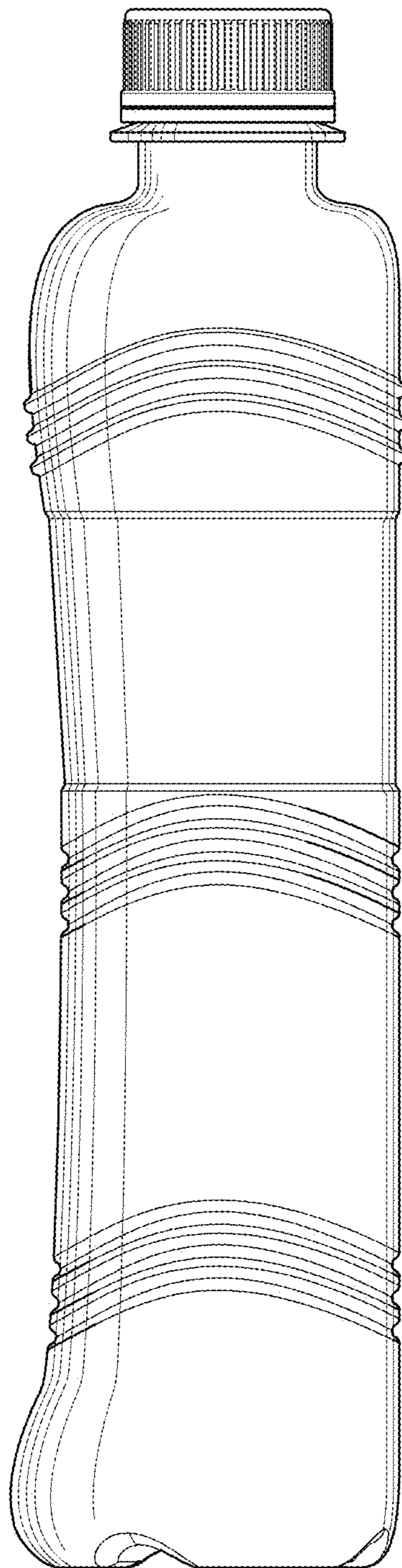


FIG. 4

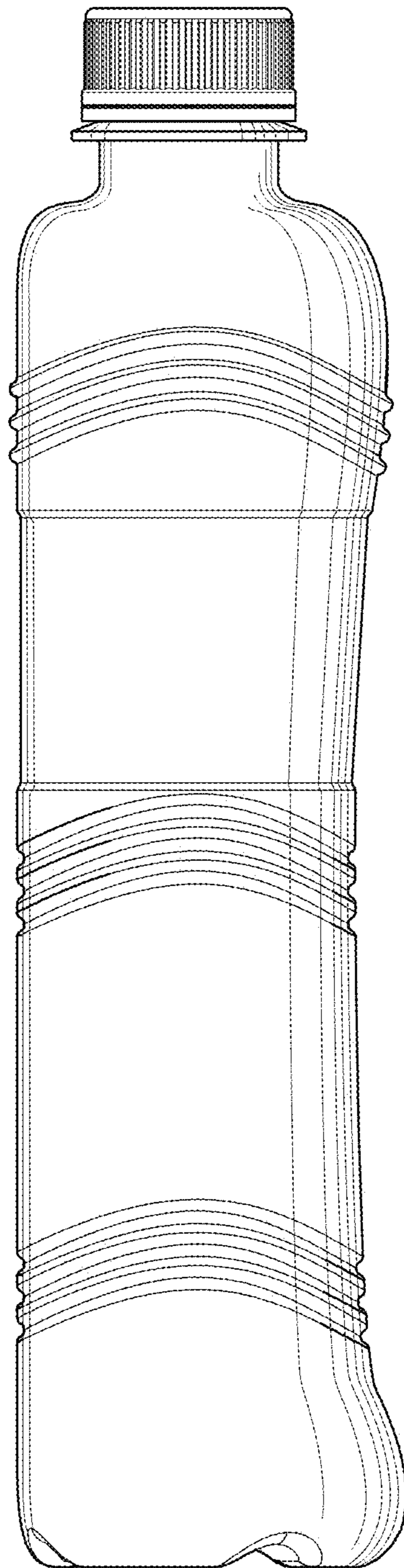


FIG. 5

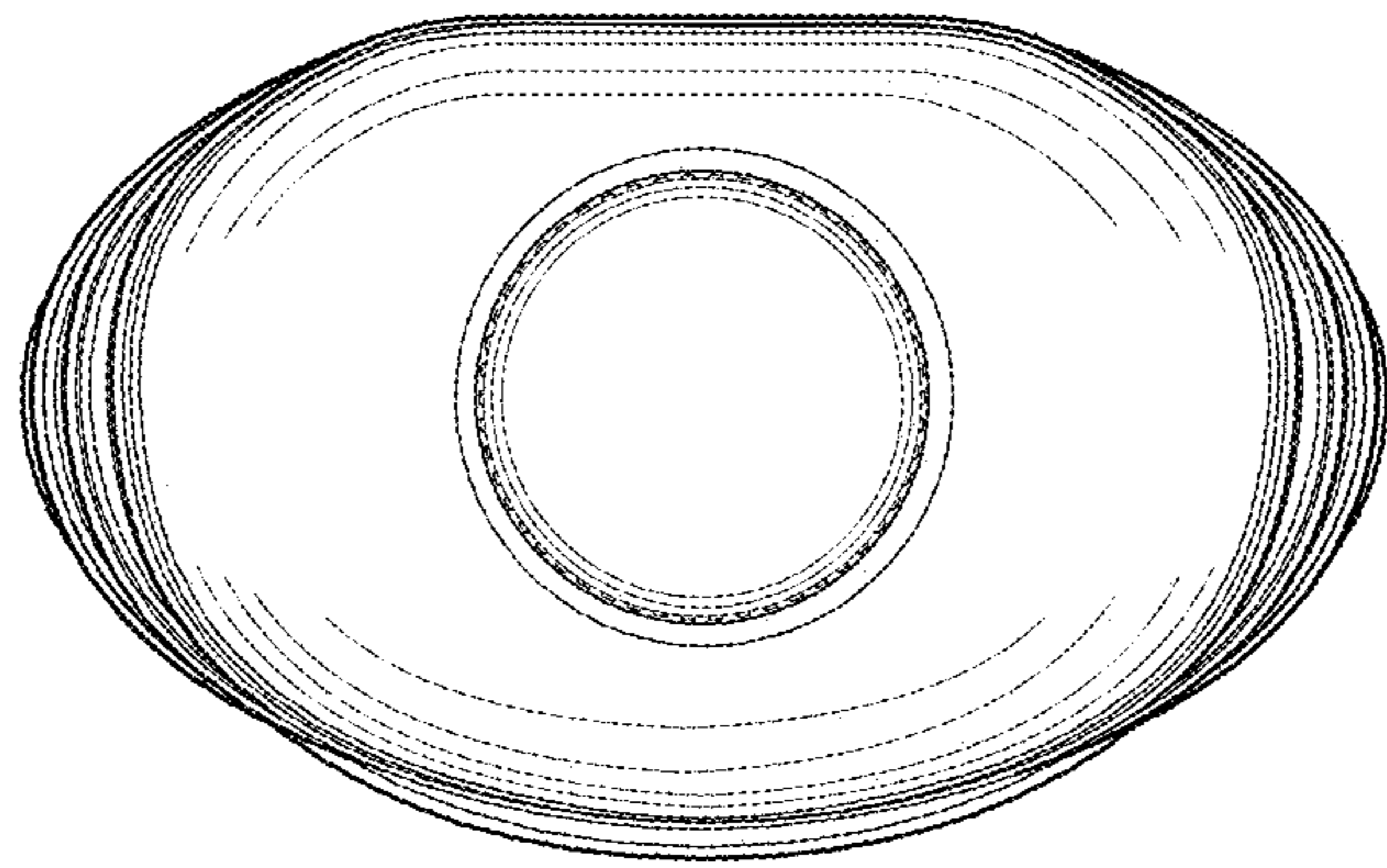


FIG. 6

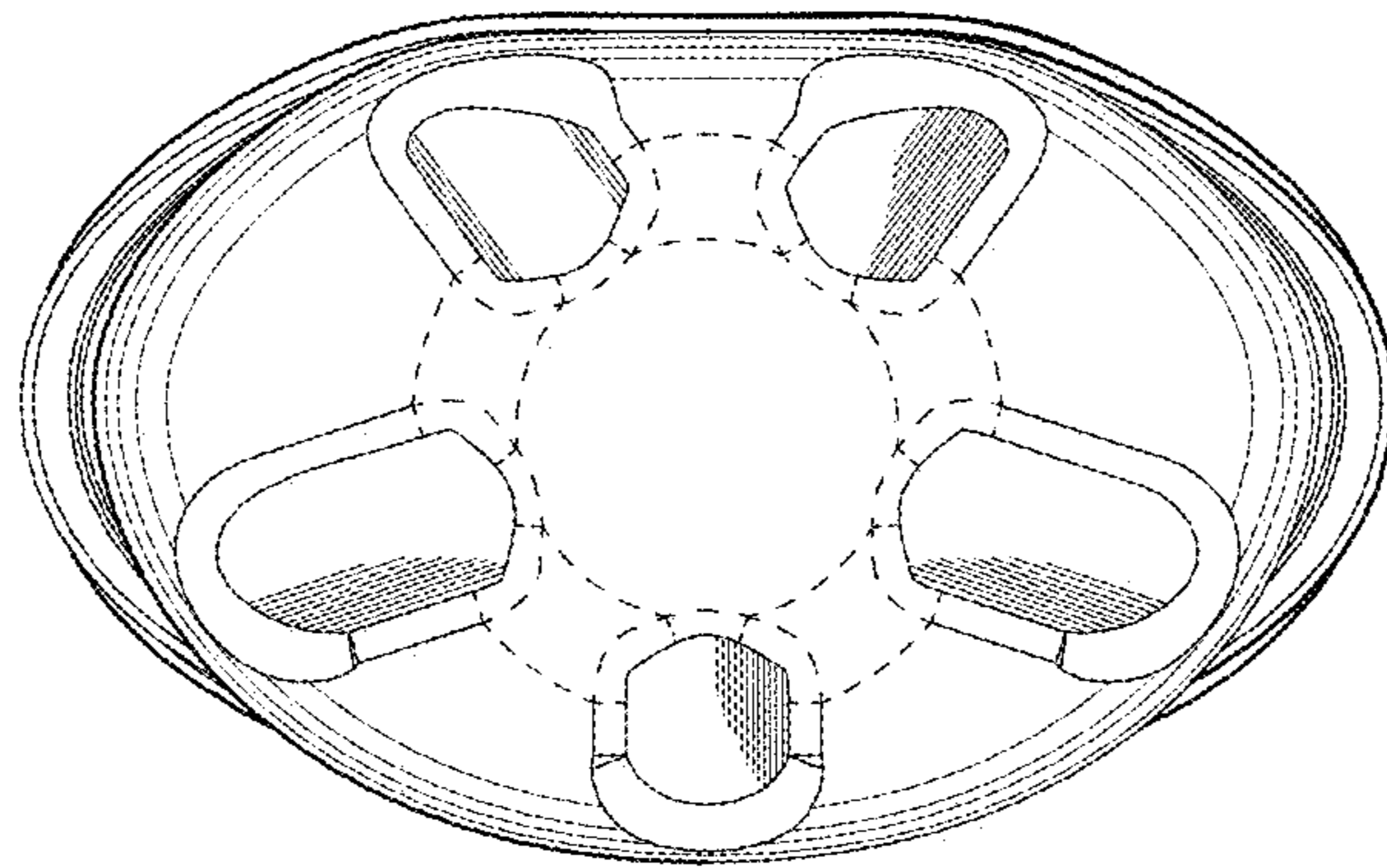


FIG. 7