



US00D935887S

(12) **United States Design Patent**
Ouriel

(10) **Patent No.:** **US D935,887 S**

(45) **Date of Patent:** **** Nov. 16, 2021**

(54) **SKIN CARE BOTTLE**

(71) Applicant: **Wendy Ouriel**, Newport Coast, CA
(US)

(72) Inventor: **Wendy Ouriel**, Newport Coast, CA
(US)

(**) Term: **15 Years**

(21) Appl. No.: **29/695,570**

(22) Filed: **Jun. 20, 2019**

(51) **LOC (13) Cl.** **09-01**

(52) **U.S. Cl.**
USPC **D9/505**; D9/439; D9/440; D9/723

(58) **Field of Classification Search**
USPC D9/434-436, 439, 447, 454, 500,
D9/503-505, 516, 544-545, 548-549,
D9/558, 682, 715, 719, 723-724;
D24/197

CPC B65D 1/00; B65D 1/02; B65D 1/0215;
B65D 1/0223; B65D 2501/00; B65D
2501/0009

See application file for complete search history.

(56) **References Cited**

U.S. PATENT DOCUMENTS

D117,266 S * 10/1939 Gerhart D9/500
D264,937 S * 6/1982 Groark D9/500

D414,811 S * 10/1999 Base D9/503
D543,459 S * 5/2007 Konieczny D9/439
D818,364 S * 5/2018 Rashid D9/500
D845,770 S * 4/2019 Berthe D9/500
D863,982 S * 10/2019 Fitz D9/745
D863,983 S * 10/2019 Fitz D9/745
D884,282 S * 5/2020 Jung D28/76

* cited by examiner

Primary Examiner — Dana Meyrow

(74) *Attorney, Agent, or Firm* — Michael M. Ahmadshahi

(57) **CLAIM**

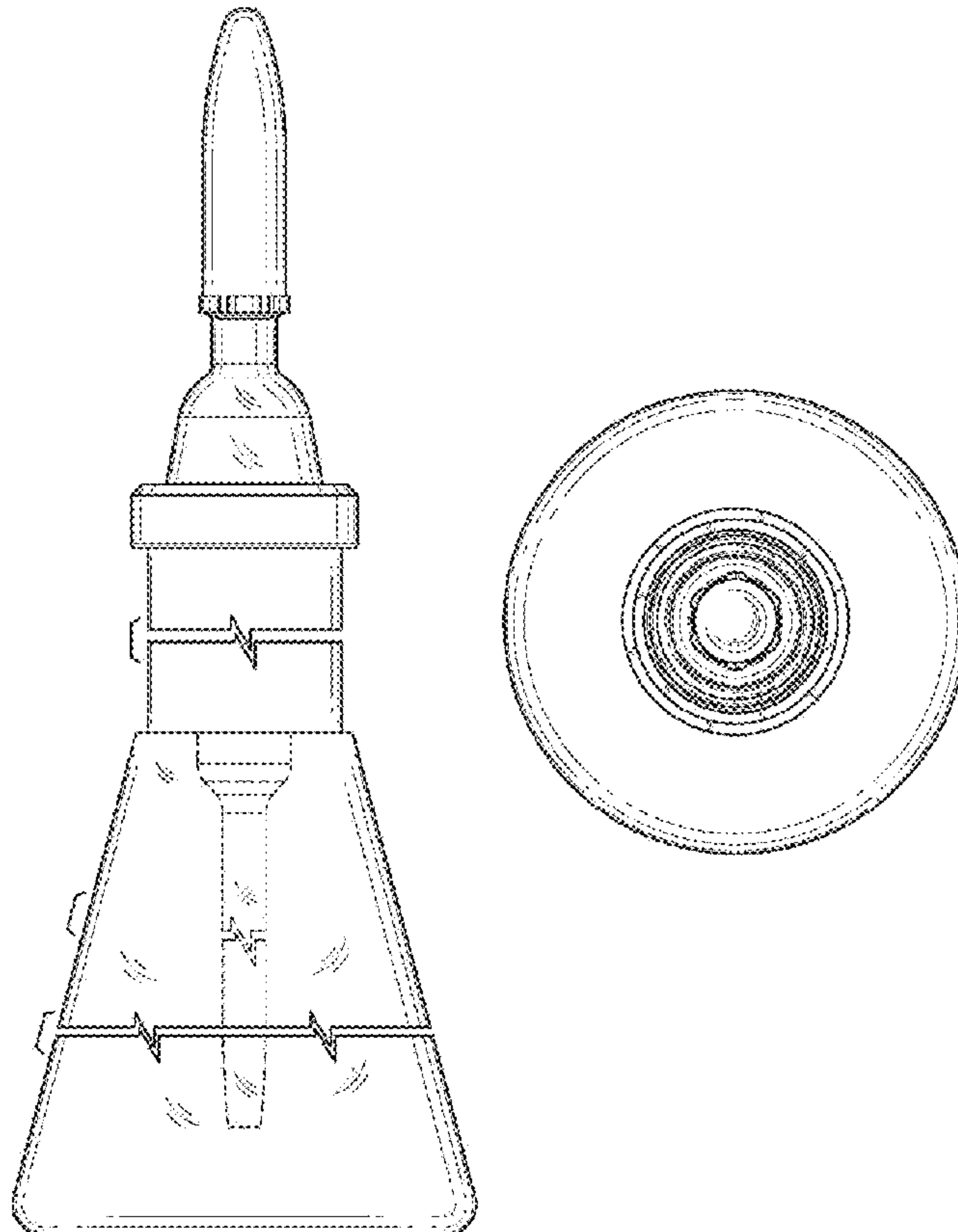
The ornamental design for a skin care bottle, as shown and described.

DESCRIPTION

FIG. 1 is a perspective view of a skin care bottle according to the present invention;
FIG. 2 is a front view thereof;
FIG. 3 is a rear view thereof;
FIG. 4 is a first side view thereof;
FIG. 5 is a second side view thereof;
FIG. 6 is a top view thereof;
FIG. 7 is a bottom view of thereof; and,
FIG. 8 is an exploded view thereof.

The broken lines in the drawings illustrate the portions of the skin care bottle that form no part of the claim. The skin care bottle is shown with a symbolic break in its sidewall and neck. The appearance of any portion of the article between these break lines forms no part of the claimed design.

1 Claim, 8 Drawing Sheets



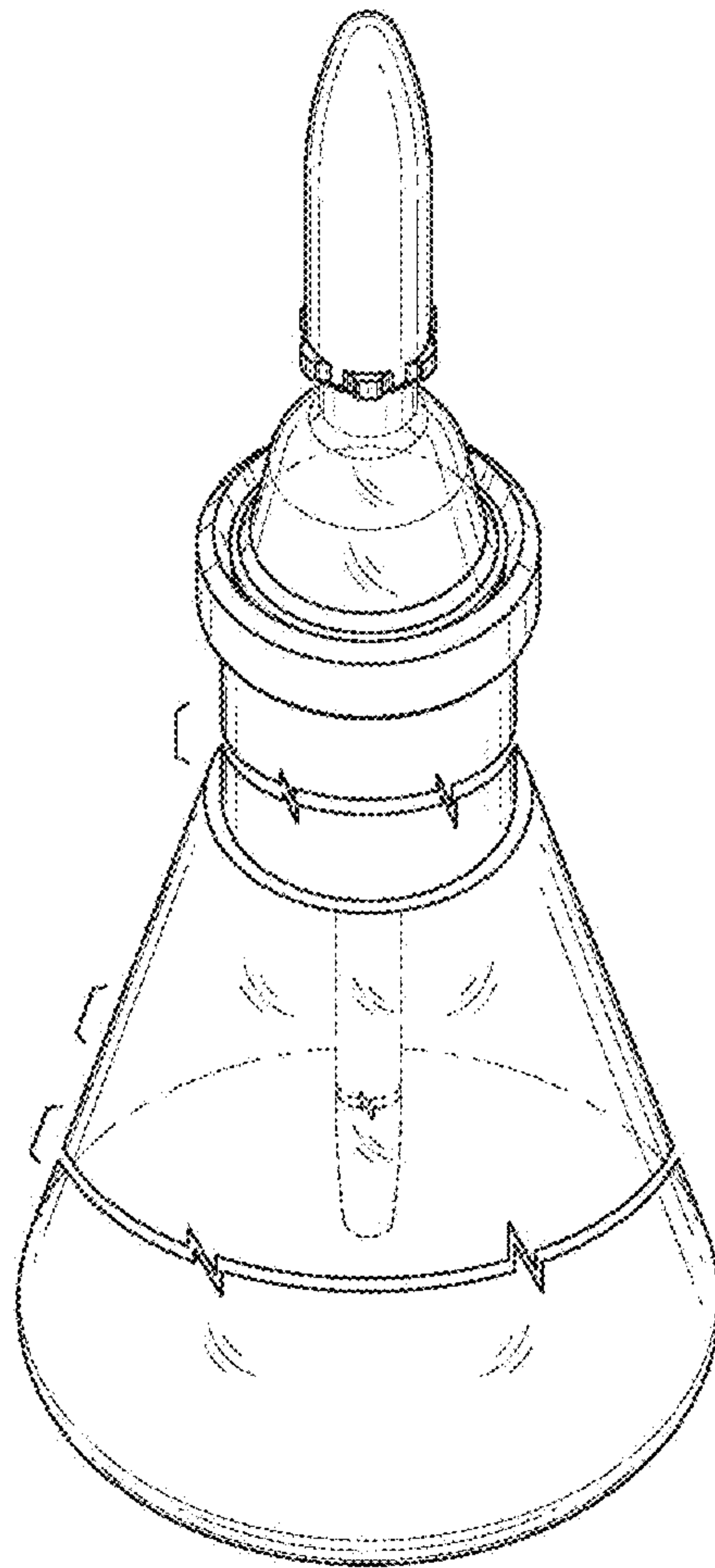


FIG. 1

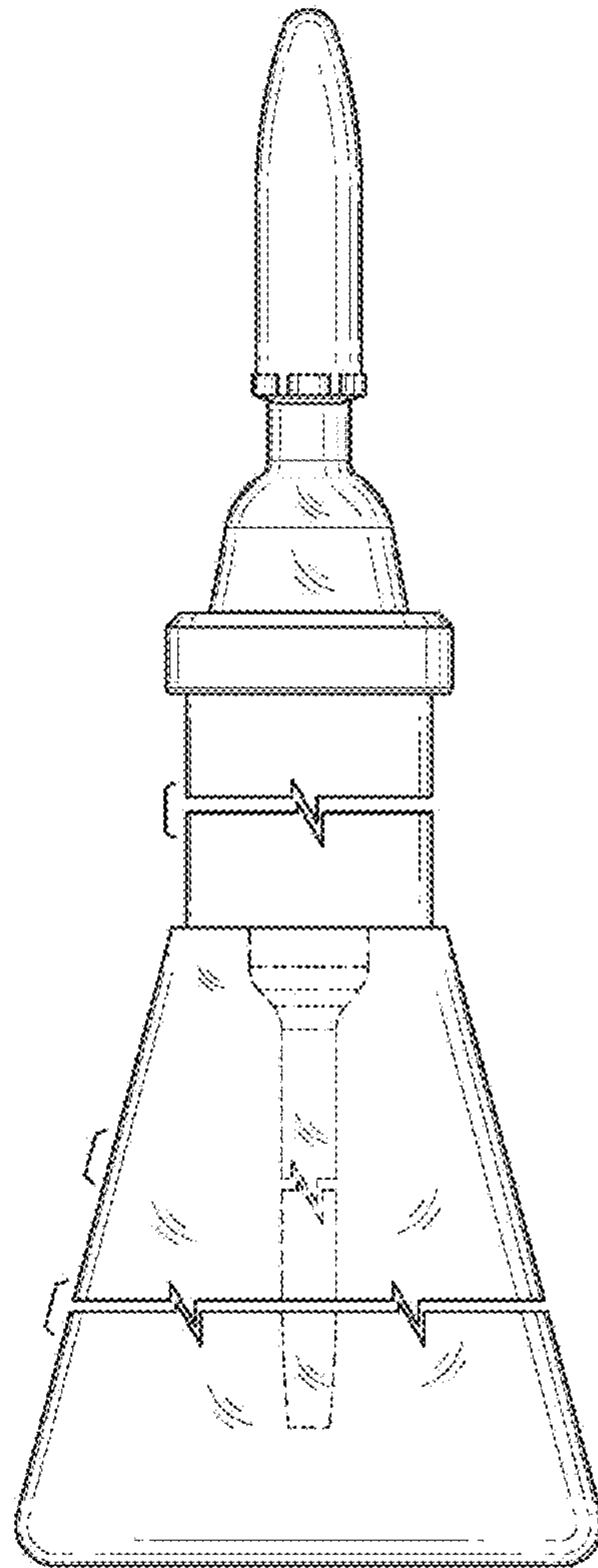


FIG. 2

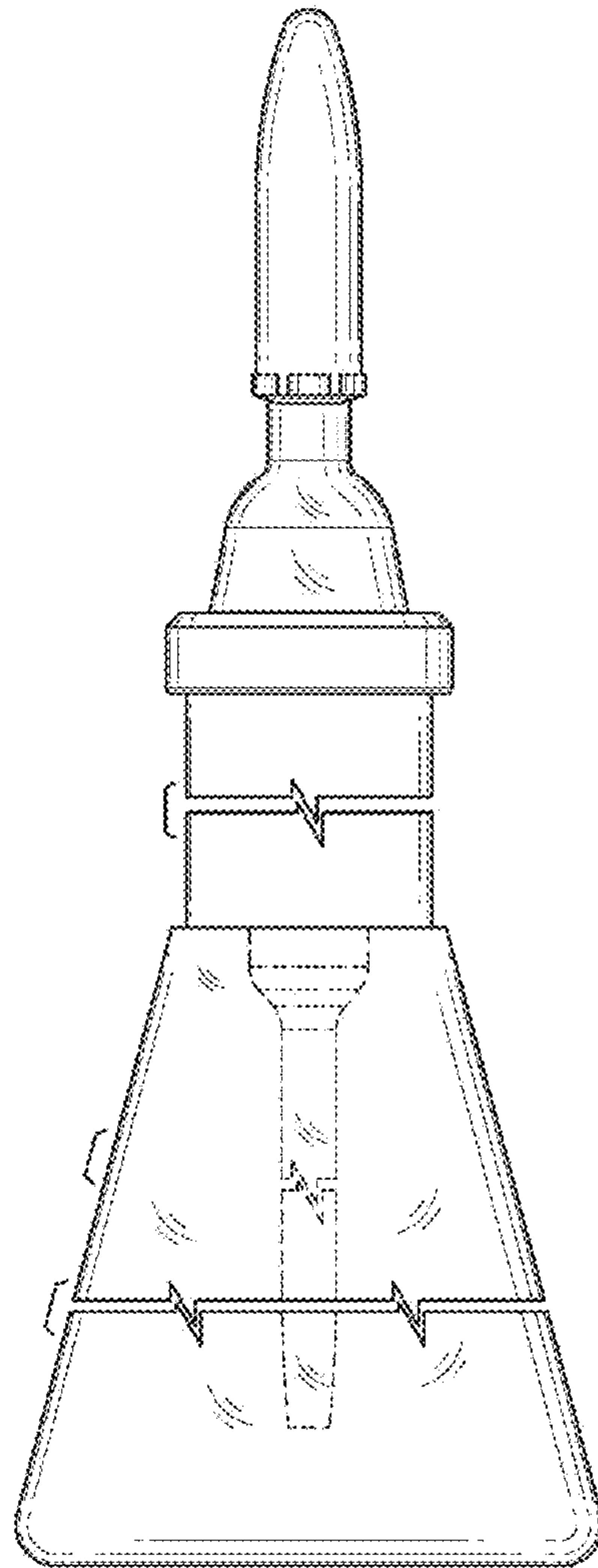


FIG. 3

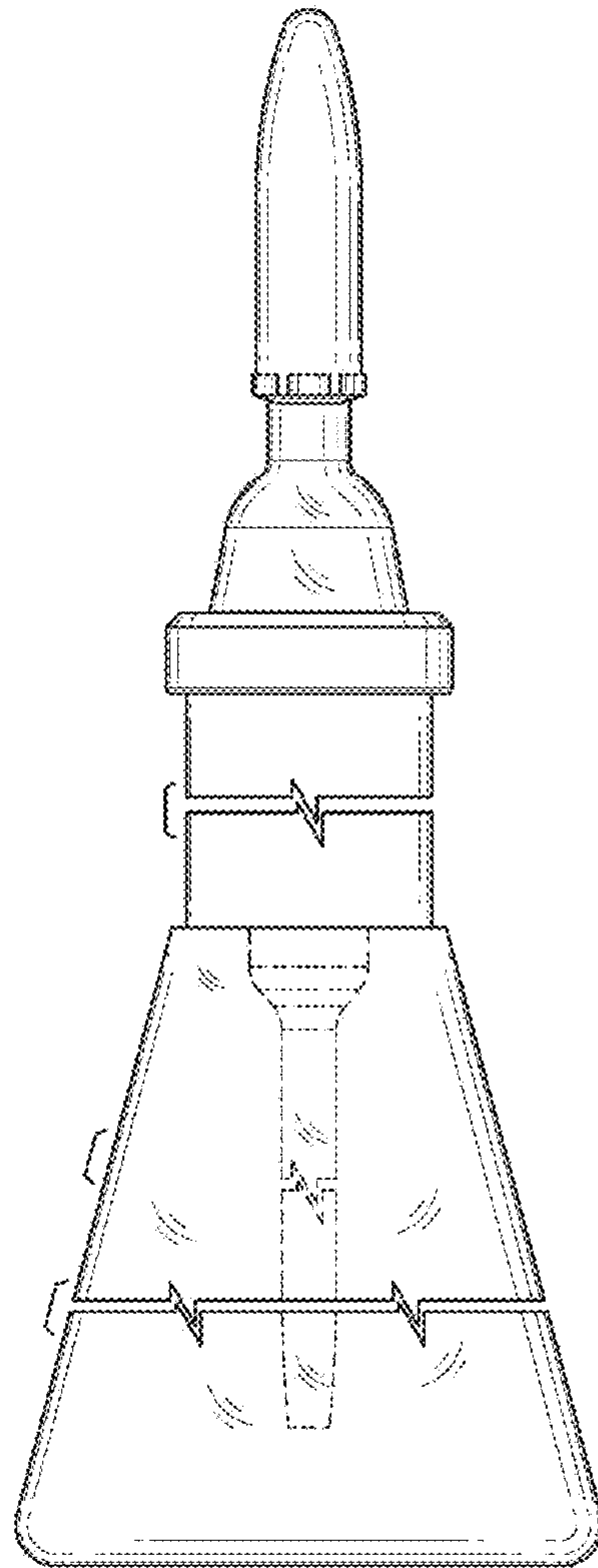


FIG. 4

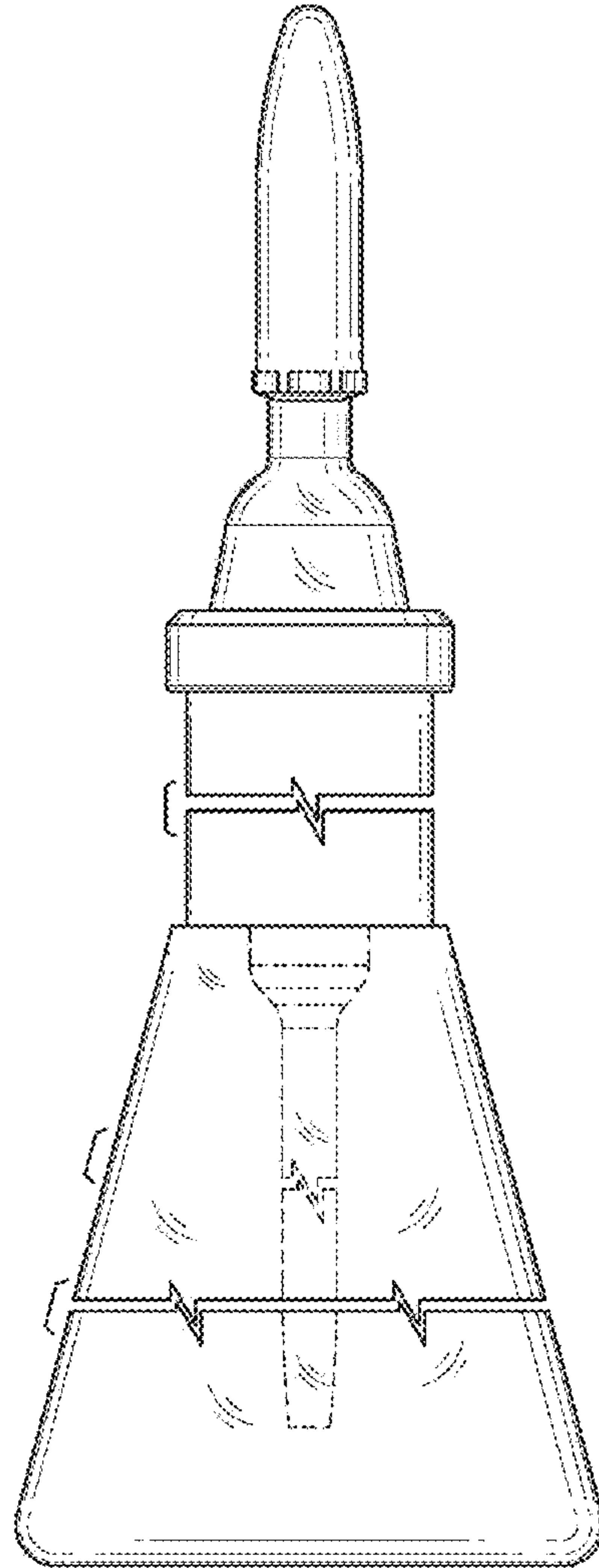


FIG. 5

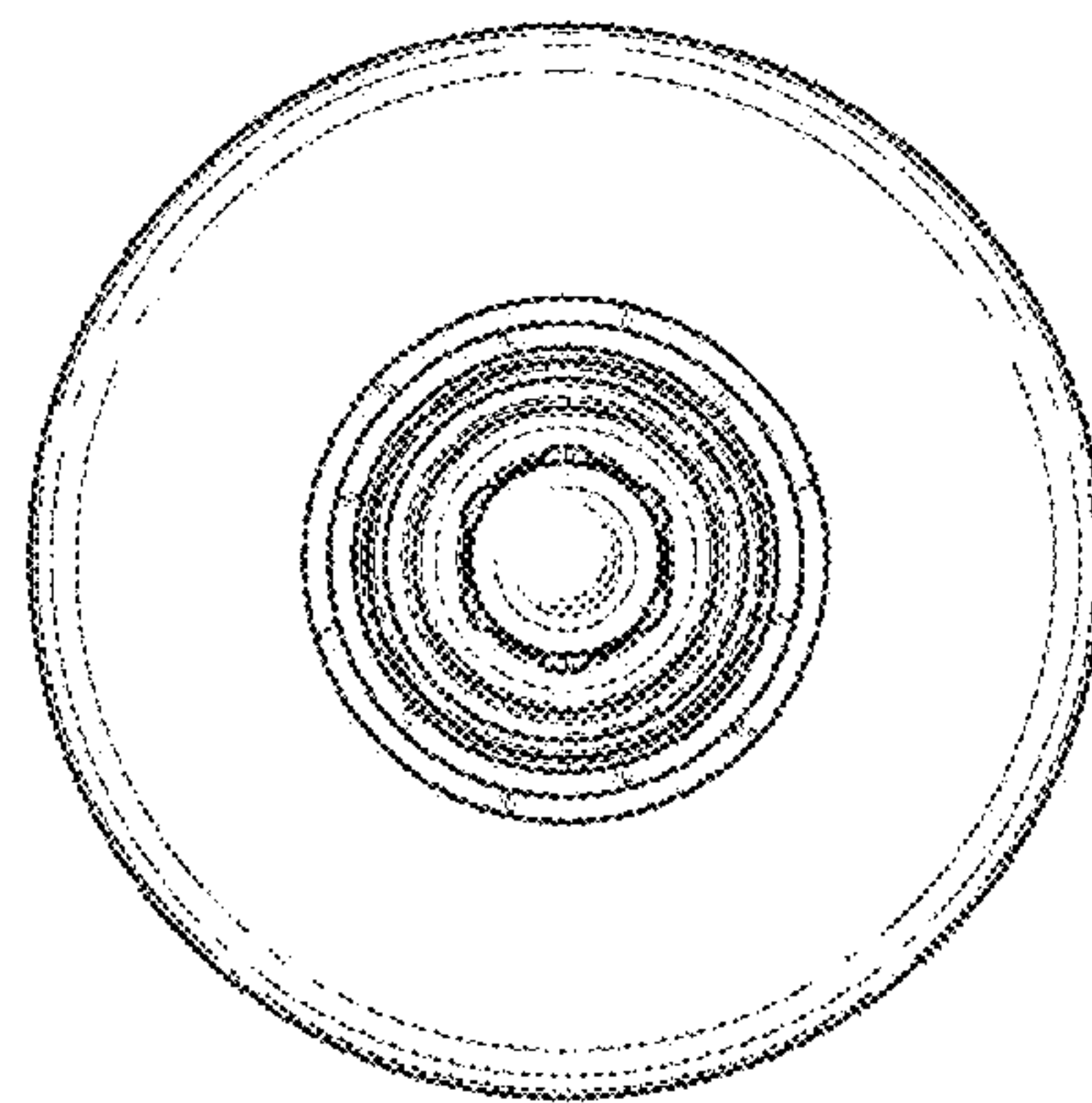


FIG. 6

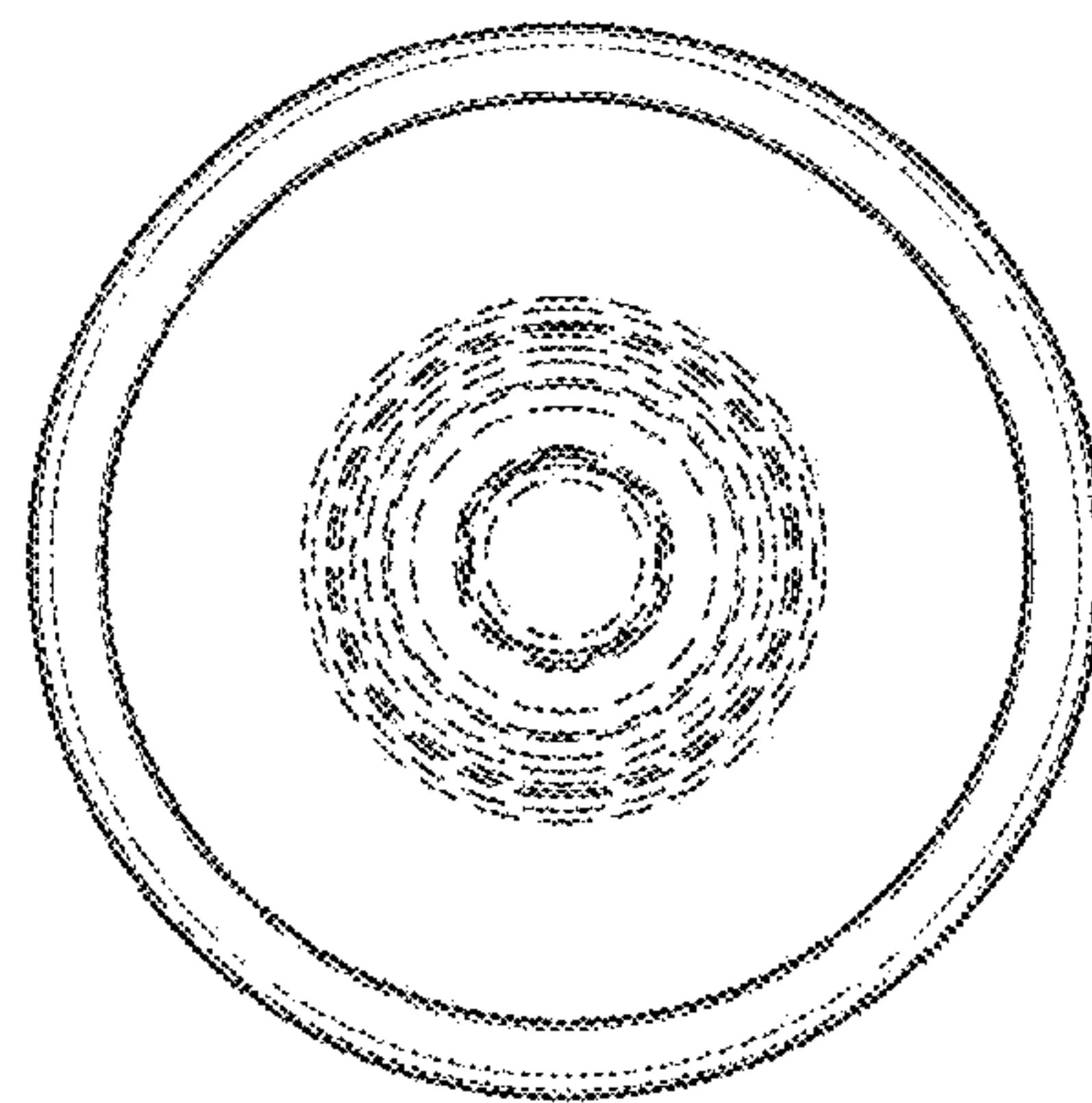


FIG. 7

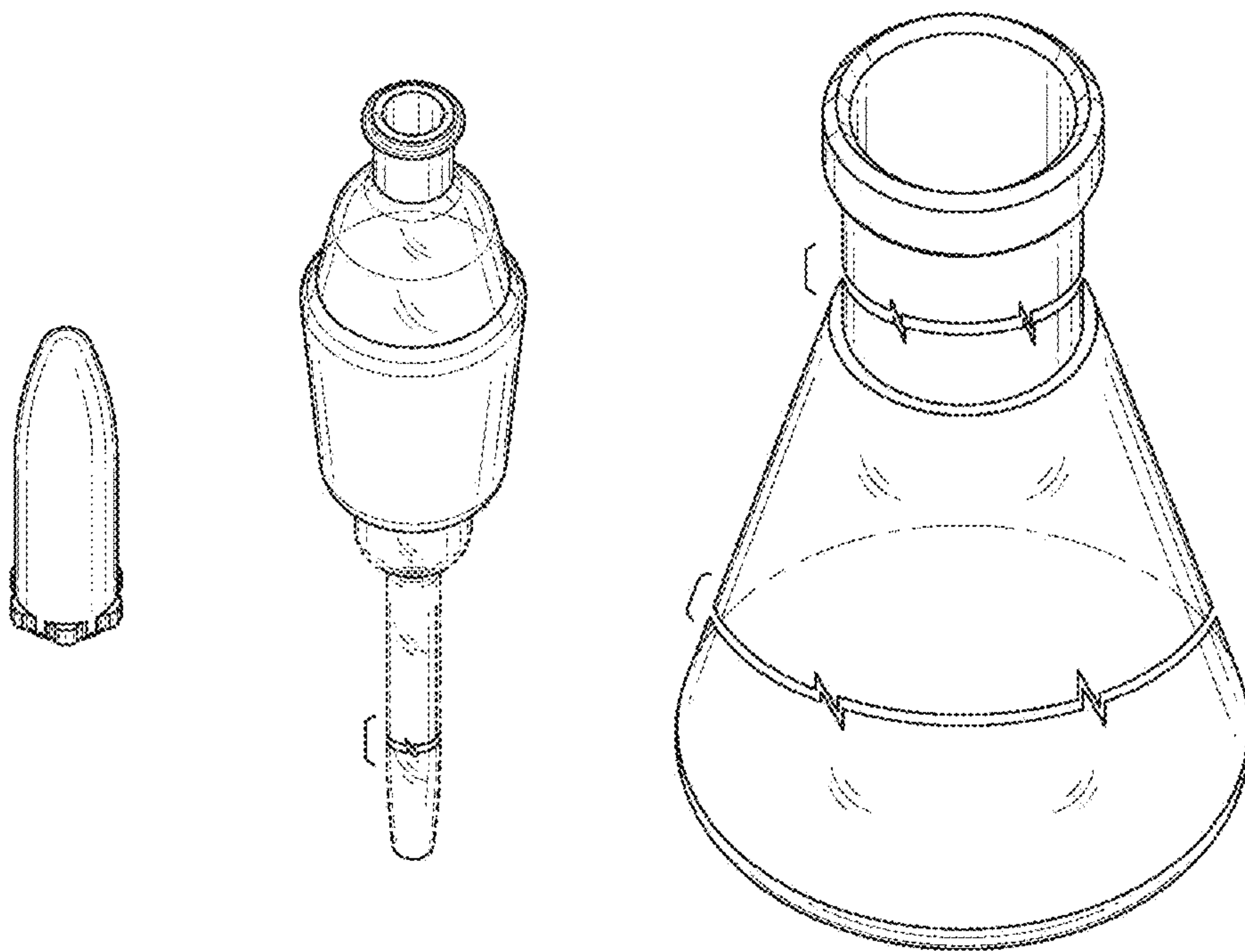


FIG. 8