



US00D935886S

(12) **United States Design Patent** (10) **Patent No.:** **US D935,886 S**  
**Brandenburg** (45) **Date of Patent:** **\*\* Nov. 16, 2021**

(54) **BOTTLE**

(71) Applicant: **Brandywine Product Group International, Inc.**, Wilmington, DE (US)

(72) Inventor: **Kyle Brandenburg**, Middletown, DE (US)

(73) Assignee: **Brandywine Product Group International, Inc.**, Wilmington, DE (US)

(\*\*) Term: **15 Years**

(21) Appl. No.: **29/735,334**

(22) Filed: **May 20, 2020**

(51) **LOC (13) Cl.** ..... **09-01**

(52) **U.S. Cl.**  
USPC ..... **D9/503; D9/453; D9/454**

(58) **Field of Classification Search**  
USPC ..... D9/434, 500, 502-504, 516, 530, 537, D9/539, 549, 558, 715, 719, 723-724, D9/726; D4/114, 116; D24/117  
CPC ..... B65D 1/00; B65D 1/02; B65D 1/0223; B65D 2501/00; B65D 2501/0009; A45D 34/042; A45D 34/045; A45D 2200/053; A46B 11/00; A46B 11/001  
See application file for complete search history.

(56) **References Cited**

**U.S. PATENT DOCUMENTS**

4,304,688	A	12/1981	Mori	
D274,132	S *	6/1984	Nightingale, III	D9/453
6,446,880	B1	9/2002	Schram et al.	
D591,169	S *	4/2009	Otsuka	D9/724
D609,571	S *	2/2010	Butler	D9/504
D627,894	S *	11/2010	Sirota	D24/197
D648,857	S *	11/2011	Pheil	D24/197
D685,638	S *	7/2013	DeMarco	D9/504

D703,054	S *	4/2014	DeMarco	D9/504
D709,374	S *	7/2014	Wilcox	D9/453
D719,448	S *	12/2014	Pires	D9/504
D721,966	S *	2/2015	Mathiez	D9/504
8,955,765	B2	2/2015	Porchia et al.	
D739,735	S *	9/2015	Darling	D9/500
D754,544	S *	4/2016	Darling	D9/503
D756,789	S *	5/2016	Darling	D9/503
9,393,333	B2	7/2016	Barlow et al.	
9,586,228	B2	3/2017	Roemburg et al.	

(Continued)

**FOREIGN PATENT DOCUMENTS**

WO	2010134164	A1	11/2010
WO	2017216548	A1	12/2017

**OTHER PUBLICATIONS**

AirWick Essential Mist Refill Bottle, <https://www.target.com/p/air-wick-essential-mist-lavender-almond-blossom-air-freshener-refill-0-67oz/-/A-53052679> (May 17, 2020).

*Primary Examiner* — Dana Meyrow

(74) *Attorney, Agent, or Firm* — Rogowski Law LLC

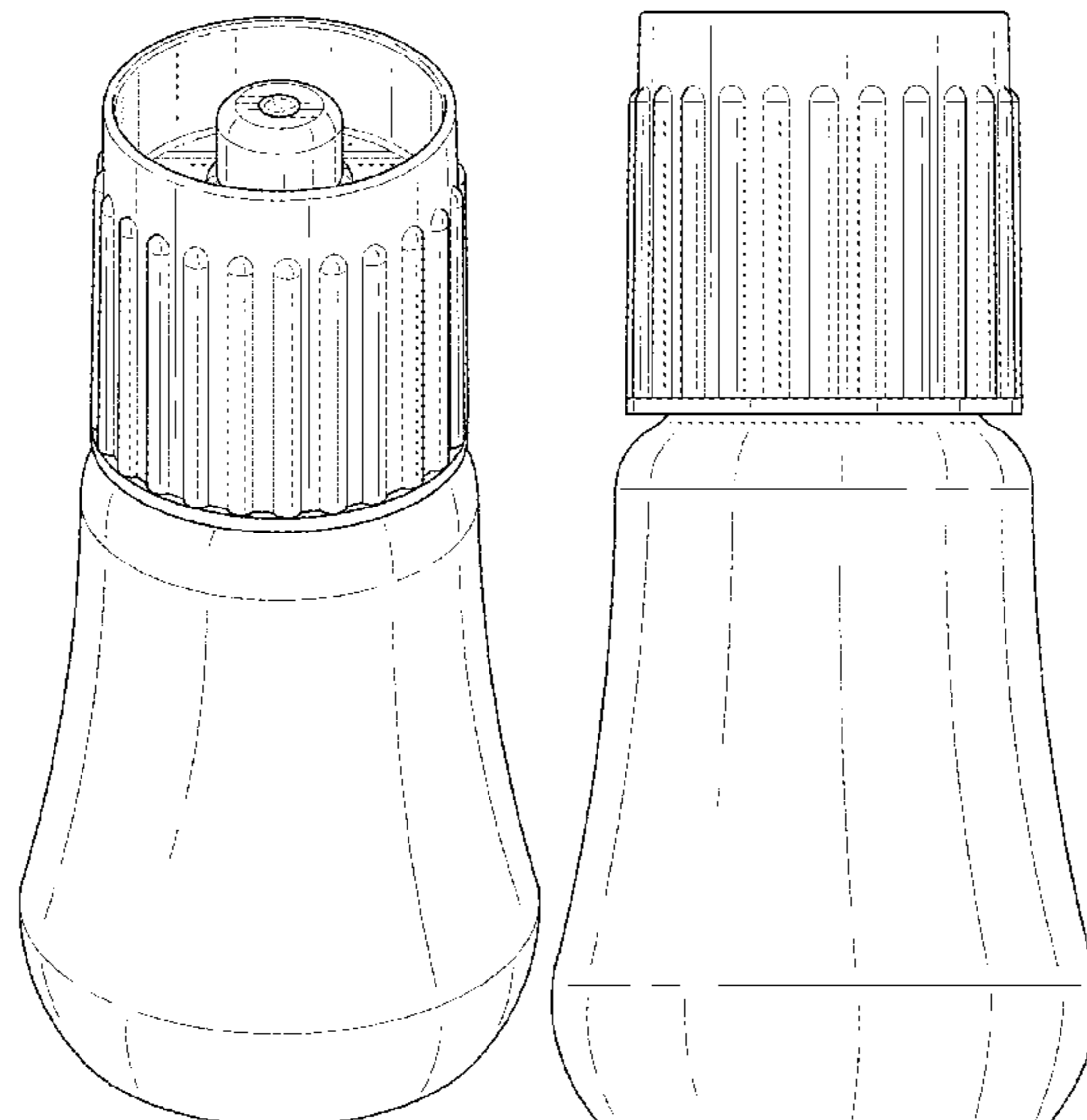
(57) **CLAIM**

The ornamental design for bottle, as shown and described.

**DESCRIPTION**

FIG. 1 is a right, front, perspective view of a bottle according to the present design;  
FIG. 2 is a right side elevational view of the bottle of FIG. 1;  
FIG. 3 is a left side elevational view of the bottle of FIG. 1;  
FIG. 4 is a front elevational view of the bottle of FIG. 1;  
FIG. 5 is a rear elevational view of the bottle of FIG. 1;  
FIG. 6 is a top plan view of the bottle of FIG. 1; and,  
FIG. 7 is a bottom plan view of the bottle of FIG. 1.  
The dot-dash broken line in the FIG. 7 drawing view defines the bounds of the claim and forms no part thereof.

**1 Claim, 4 Drawing Sheets**



(56)

**References Cited**

U.S. PATENT DOCUMENTS

D795,697	S *	8/2017	Reggiani .....	D9/503
9,877,359	B2	1/2018	Duffield et al.	
9,924,566	B2	3/2018	Duffield et al.	
10,071,179	B2	9/2018	Duffield	
D833,874	S *	11/2018	Harrison .....	D9/500
D833,875	S *	11/2018	Harrison .....	D9/503
10,143,768	B2	12/2018	Roemburg et al.	
2016/0151528	A1	6/2016	Duffield	
2017/0274405	A1	9/2017	Lucas et al.	

\* cited by examiner

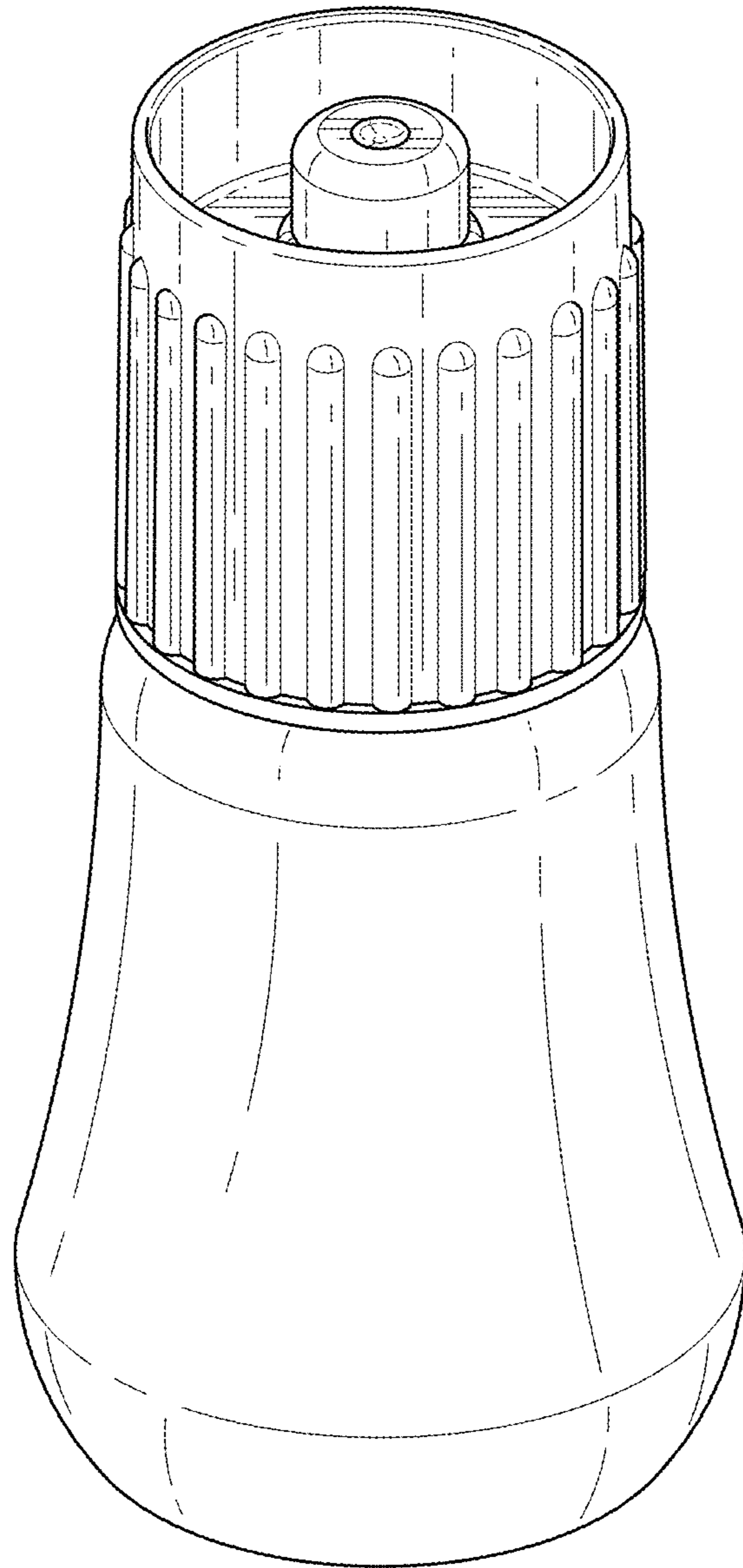


FIG. 1

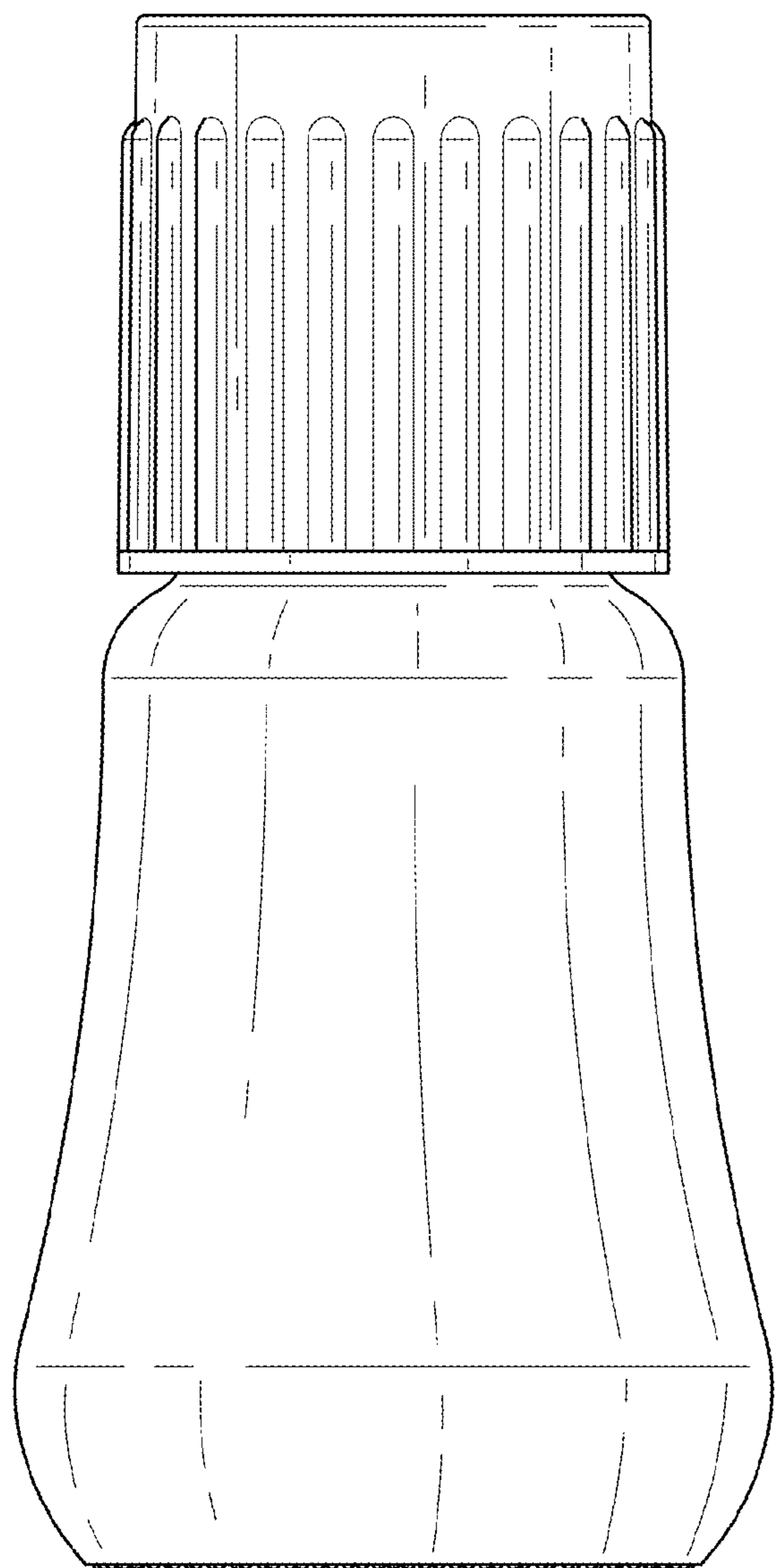


FIG. 2

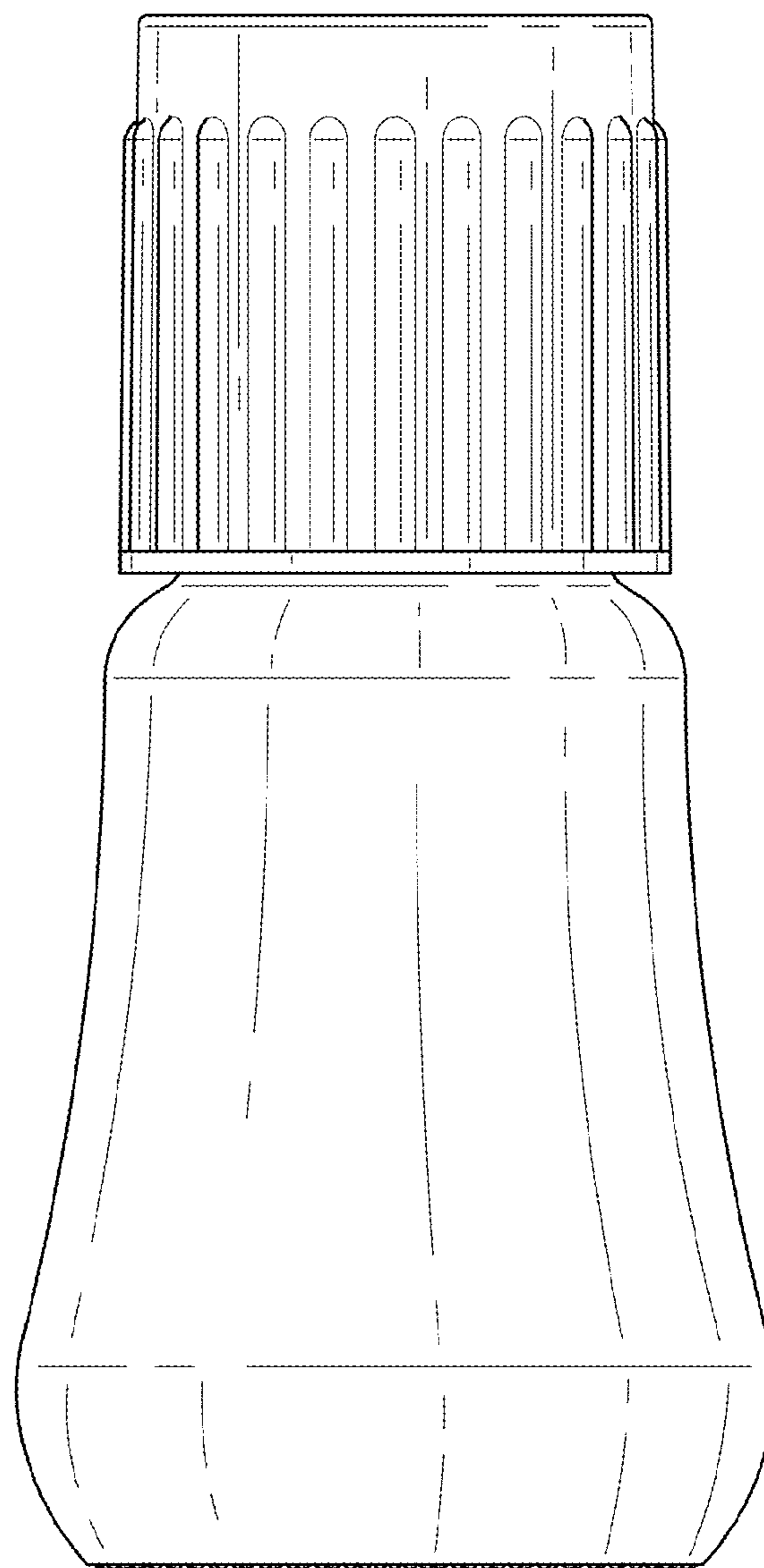


FIG. 3

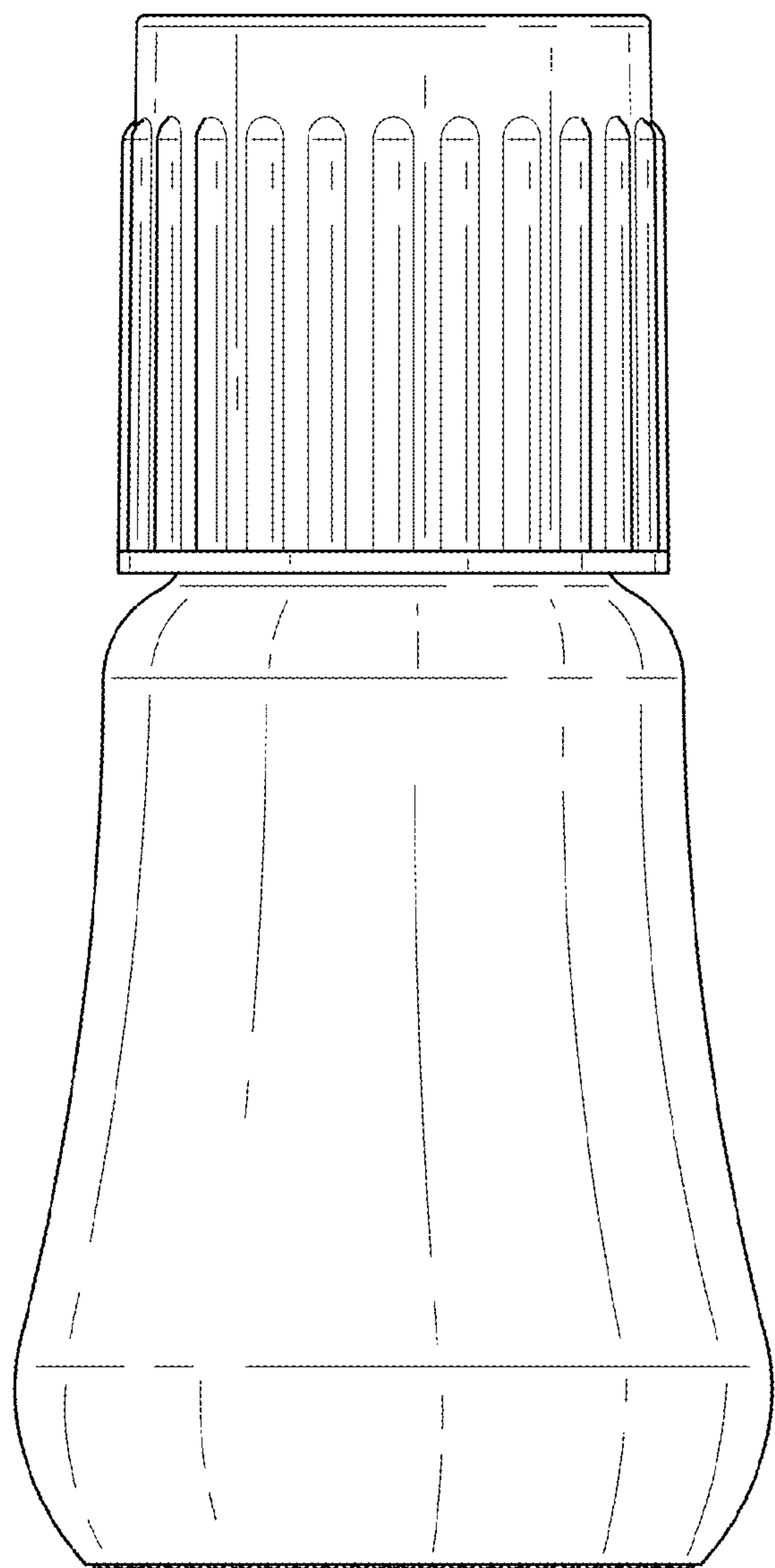


FIG. 4

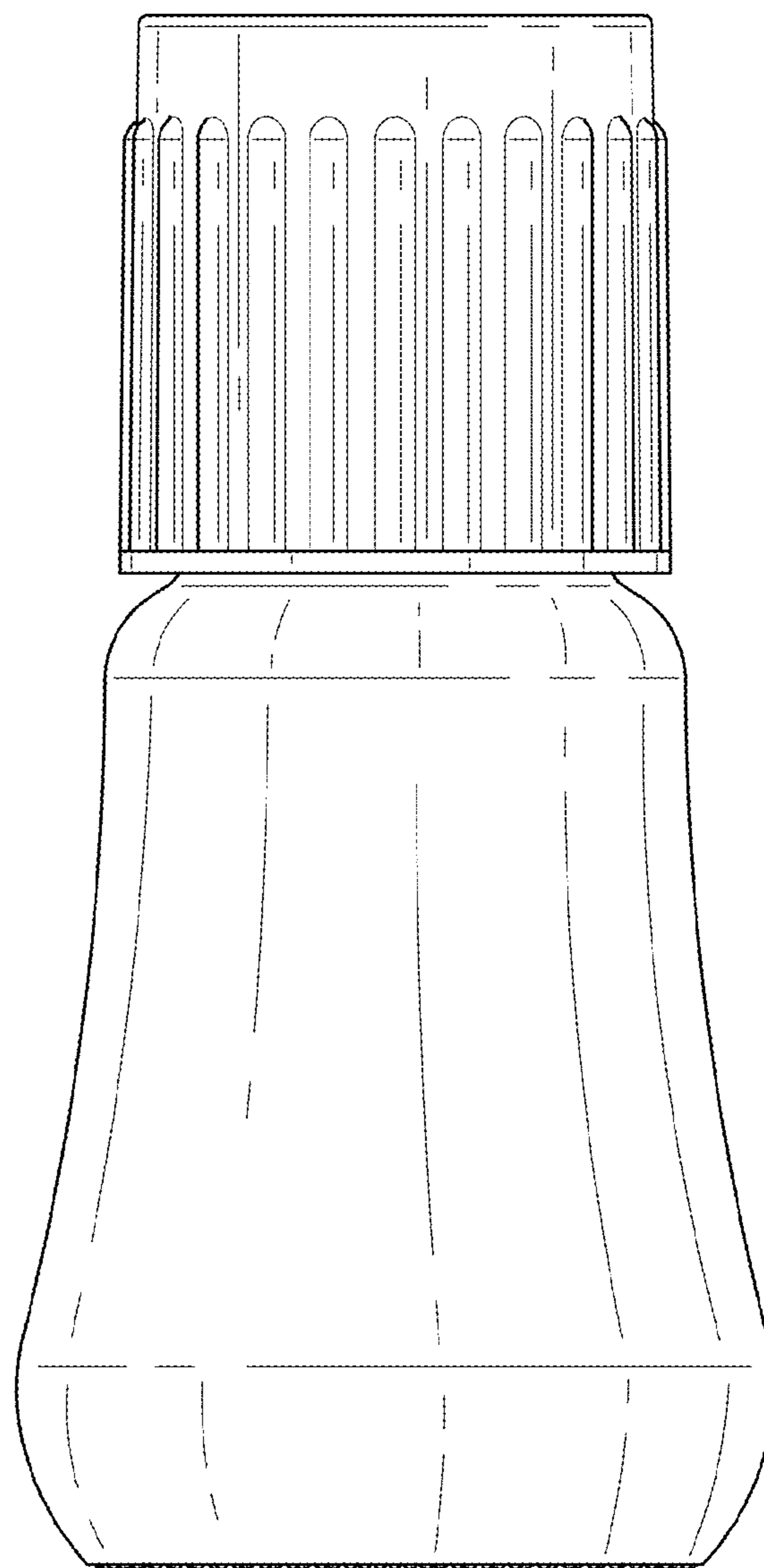


FIG. 5

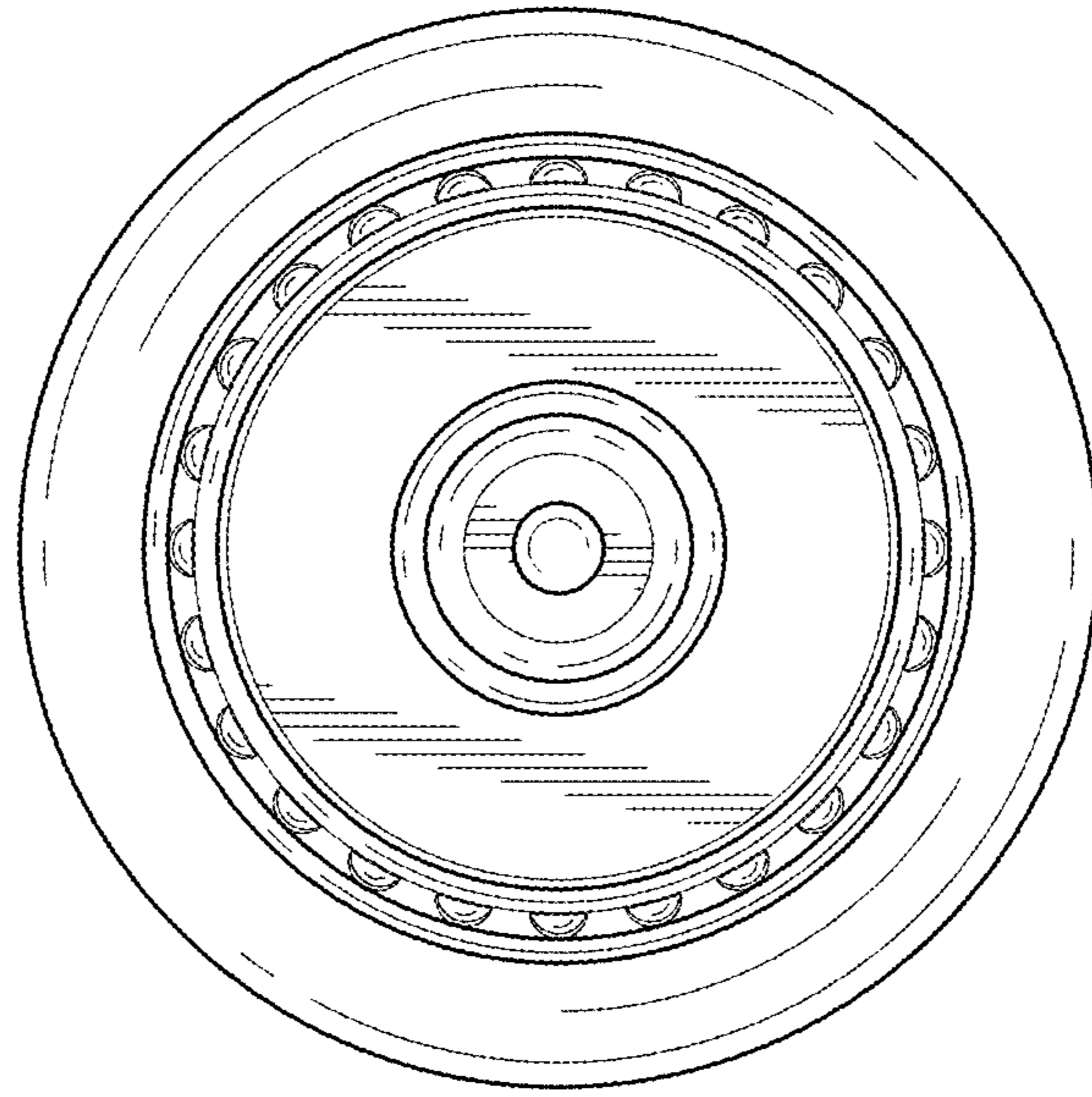


FIG. 6

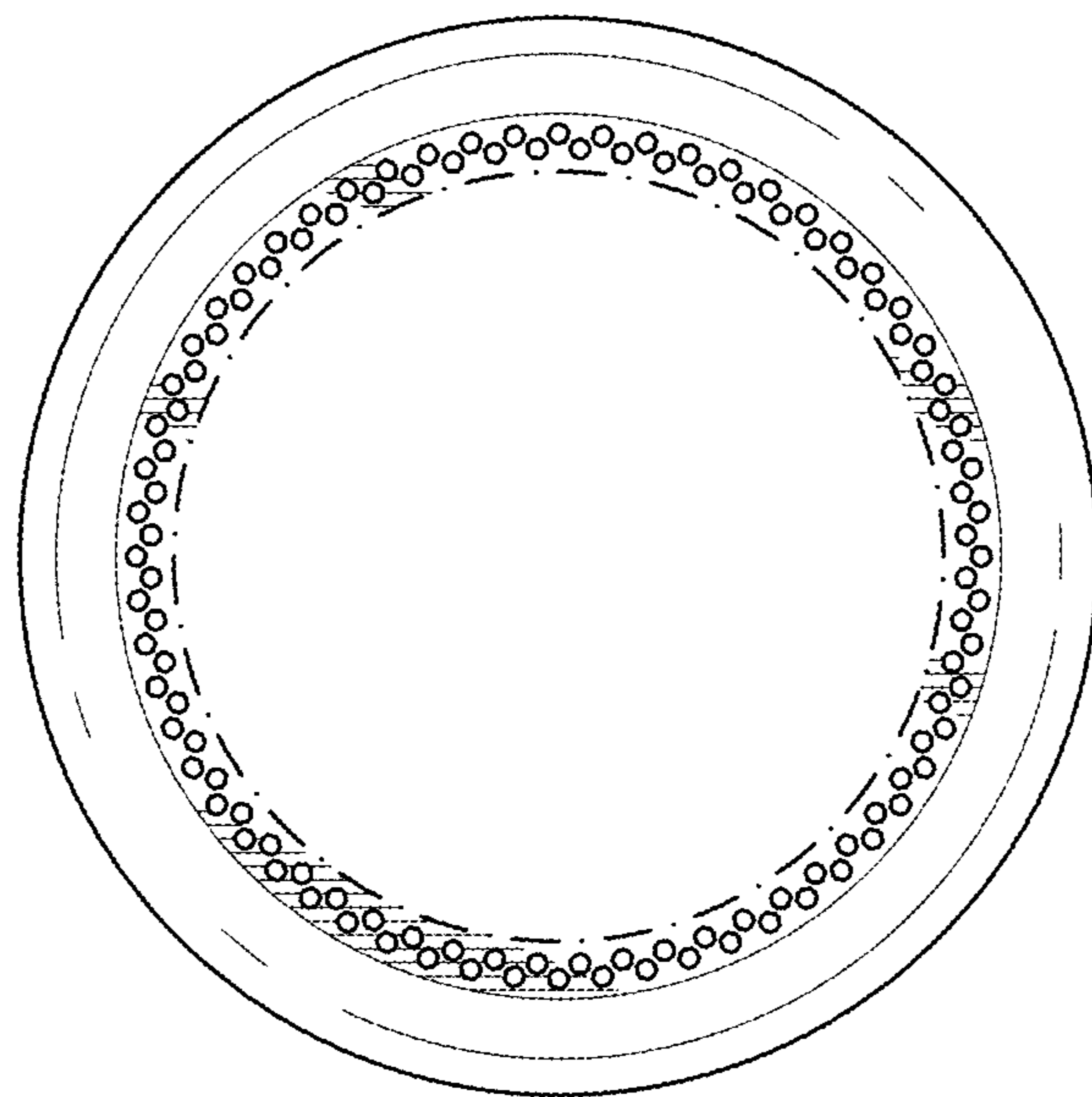


FIG. 7