



US00D935885S

(12) **United States Design Patent** (10) **Patent No.:** **US D935,885 S**
Luu et al. (45) **Date of Patent:** **** Nov. 16, 2021**

(54) **BOTTLE WITH CAP**

A45D 40/26; A45D 40/262; A45D 40/264; A45D 40/265

(71) Applicant: **LeChat**, Hercules, CA (US)

See application file for complete search history.

(72) Inventors: **Newton Luu**, Hercules, CA (US);
Christina Kleppe, Antioch, CA (US)

(56) **References Cited**

(73) Assignee: **LeChat**, Hercules, CA (US)

U.S. PATENT DOCUMENTS

(**) Term: **15 Years**

(21) Appl. No.: **29/731,379**

(22) Filed: **Apr. 14, 2020**

730,510 A *	6/1903	Beach	B65D 1/0246 215/43
D90,558 S	5/1933	Tricard	
D93,074 S	6/1934	Westlake	
D105,396 S	6/1937	McIntosh	
D111,313 S	9/1938	Titze	
D116,813 S	9/1939	Bost	
D117,843 S	11/1939	Smith	
D166,116 S	3/1952	Menefee, Jr.	
2,832,981 A	5/1956	Ernst	
3,337,901 A	8/1967	Schefer	
D208,885 S	10/1967	Roehrich	
D216,250 S	12/1969	Kneapler	
D237,360 S	10/1975	Oliveira et al.	
D252,445 S	7/1979	Rhodes	
4,189,245 A	2/1980	Bennett	
4,280,638 A	7/1981	Keihm	
D270,331 S	8/1983	Benson	

(Continued)

Related U.S. Application Data

(60) Continuation of application No. 29/688,684, filed on Apr. 23, 2019, now Pat. No. Des. 881,013, which is a continuation-in-part of application No. 29/626,069, filed on Nov. 14, 2017, now Pat. No. Des. 846,395, which is a continuation of application No. 29/583,013, filed on Nov. 1, 2016, now Pat. No. Des. 802,420, which is a division of application No. 29/494,524, filed on Jun. 20, 2014, now Pat. No. Des. 770,285.

Primary Examiner — Dana Meyrow

(51) **LOC (13) Cl.** **09-01**

(74) *Attorney, Agent, or Firm* — Aka Chan LLP

(52) **U.S. Cl.**

(57) **CLAIM**

USPC **D9/503**; D9/502

The ornamental design for a bottle with cap, as shown and described.

(58) **Field of Classification Search**

DESCRIPTION

USPC D9/434–435, 447, 452, 454, 500, D9/502–504, 516, 529, 530, 537–539, D9/548–549, 557–558, 682, 686, D9/688–692, 723; D4/116; D28/7, D28/76–77, 88

FIG. 1 shows a perspective view of a design for a bottle with cap.

CPC B65D 1/0002; B65D 1/0223; B65D 23/00; B65D 81/00; B65D 83/00; B65D 2501/00; B65D 2501/0009; A45D 34/00; A45D 34/42; A45D 34/45; A45D 34/46; A45D 34/48; A45D 34/06; A45D 2034/007; A45D 40/0068; A45D 40/0075;

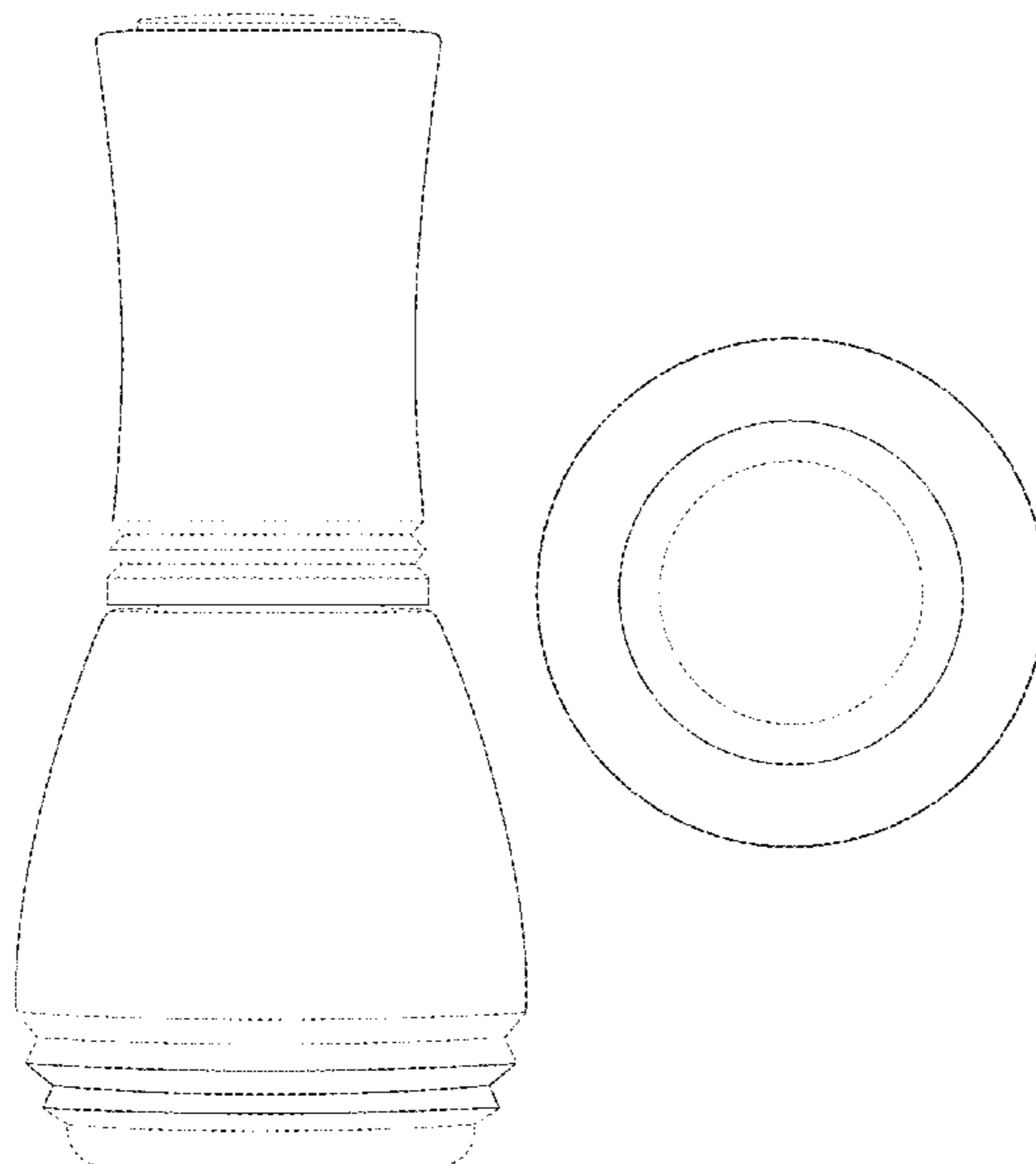
FIG. 2 shows a side view of FIG. 1.

FIG. 3 shows a top view of FIG. 1; and,

FIG. 4 shows a bottom view of FIG. 1.

The broken lines in the drawings depict portions of the bottle with cap that form no part of the claimed design.

1 Claim, 4 Drawing Sheets



(56)

References Cited

U.S. PATENT DOCUMENTS

D271,565 S	11/1983	Slater		D757,553 S	5/2016	Pires et al.	
D316,034 S	4/1991	DeGaetano		D758,737 S	6/2016	Tan et al.	
D329,592 S	9/1992	Crawford		D758,865 S	6/2016	Pires et al.	
D330,859 S	11/1992	Schaeffer		D767,405 S	9/2016	Orset	
D344,804 S	3/1994	Muniz		D769,124 S	10/2016	Wieland	
D346,334 S	4/1994	Ahlsvik		D770,284 S	11/2016	Luu et al.	
D371,739 S *	7/1996	Van Dyk	D9/502	D770,285 S	11/2016	Luu et al.	
D379,764 S	6/1997	Litton		D770,295 S	11/2016	Luu et al.	
D381,913 S *	8/1997	Abfier	D9/502	D770,901 S	11/2016	Luu et al.	
D383,980 S	9/1997	Abfier et al.		D772,579 S	11/2016	Baranes	
D414,418 S *	9/1999	Nosella	D9/502	D802,420 S	11/2017	Luu et al.	
D415,319 S *	10/1999	Bakic	D28/76	D802,426 S	11/2017	Luu et al.	
D469,356 S	1/2003	Vo		D803,055 S	11/2017	Luu et al.	
D471,108 S	3/2003	Calderone, Jr.		D805,910 S	12/2017	Luu et al.	
D487,016 S *	2/2004	DeBiasse	D9/444	D813,551 S	3/2018	Tan et al.	
D494,476 S	8/2004	Cwynar-Iaska et al.		D816,506 S	5/2018	Jones et al.	
6,966,716 B2	11/2005	Pink		D817,763 S	5/2018	Isaksen	
7,311,457 B2	12/2007	Pink		D821,200 S	6/2018	Harris et al.	
D561,027 S	2/2008	Nguyen		D833,874 S	11/2018	Harrison et al.	
D577,599 S	9/2008	Moretti		D845,773 S *	4/2019	Huang	D9/503
D604,167 S	11/2009	Tran et al.		D846,395 S *	4/2019	Luu	D9/500
D637,915 S *	5/2011	Huang	D9/542	D847,641 S *	5/2019	Luu	D9/502
D695,121 S	12/2013	Seo		D847,654 S	5/2019	Luu et al.	
D701,124 S	3/2014	O'Hara		D848,262 S *	5/2019	Luu	D9/454
D705,067 S *	5/2014	Dubitsky	D9/504	D850,264 S	6/2019	Luu	
D719,447 S *	12/2014	Becker	D9/504	D859,156 S *	9/2019	Handley	D9/500
D721,966 S	2/2015	Mathiez		D867,883 S *	11/2019	Luu	D9/452
D756,234 S	5/2016	Orset		D867,885 S *	11/2019	Luu	D9/454
D757,551 S	5/2016	Pires et al.		D881,013 S *	4/2020	Luu	D9/500
				2002/0039513 A1	4/2002	Pink	
				2006/0213863 A1	9/2006	Tran et al.	

* cited by examiner

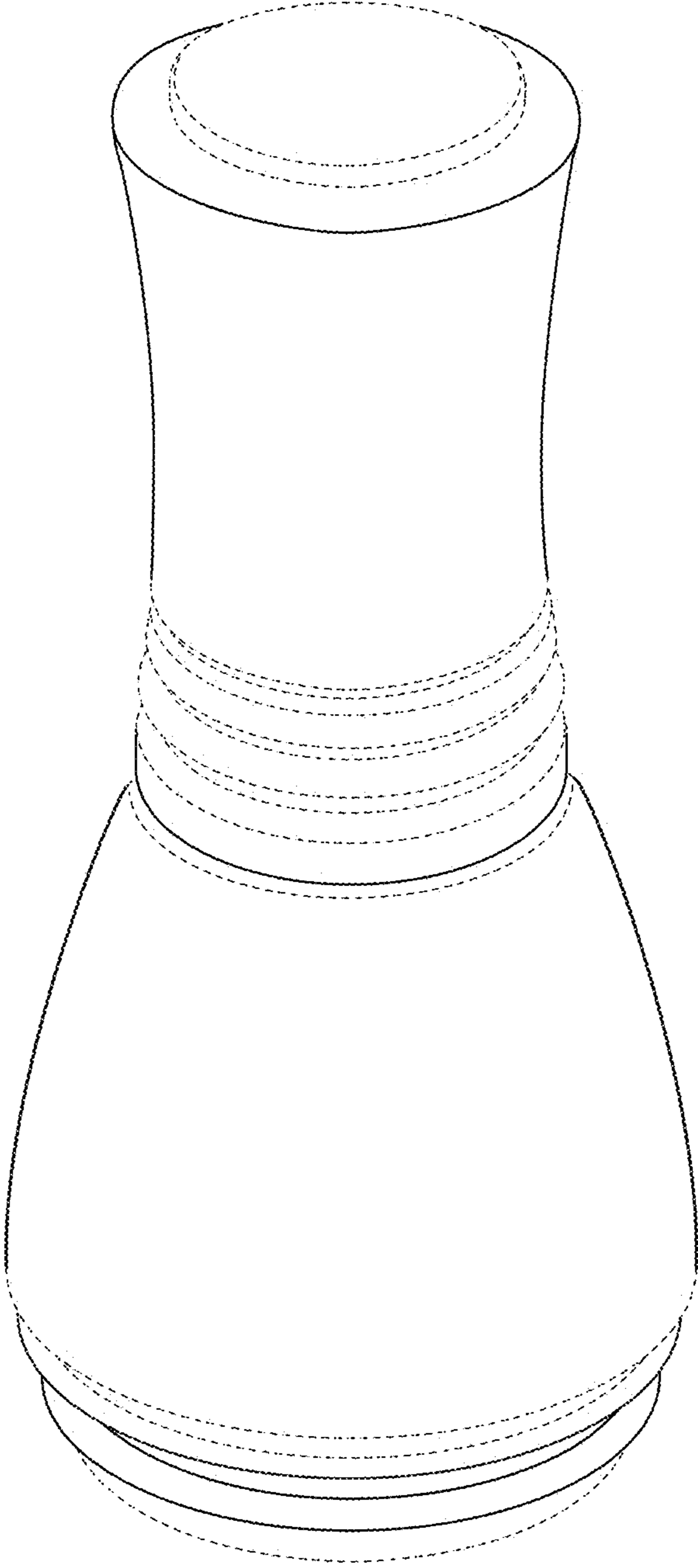


FIG. 1

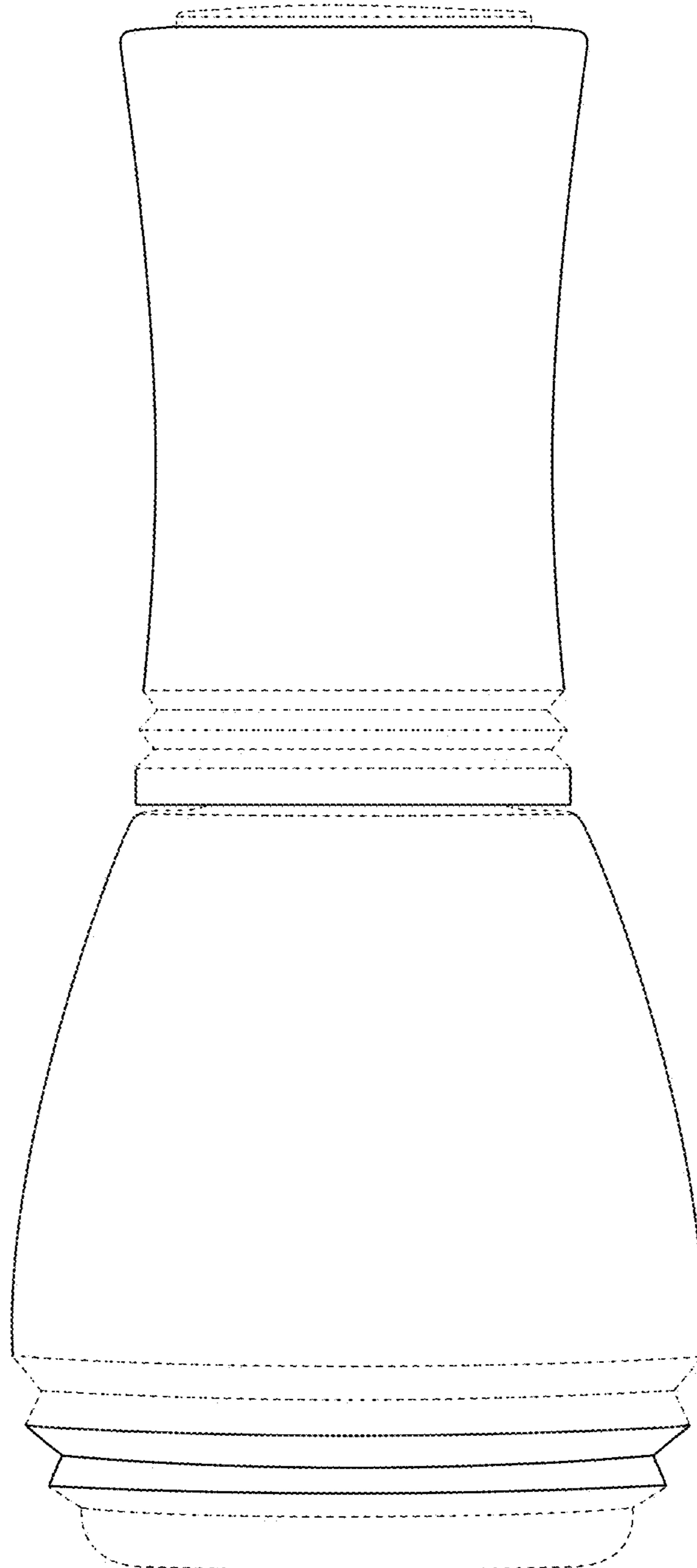


FIG. 2

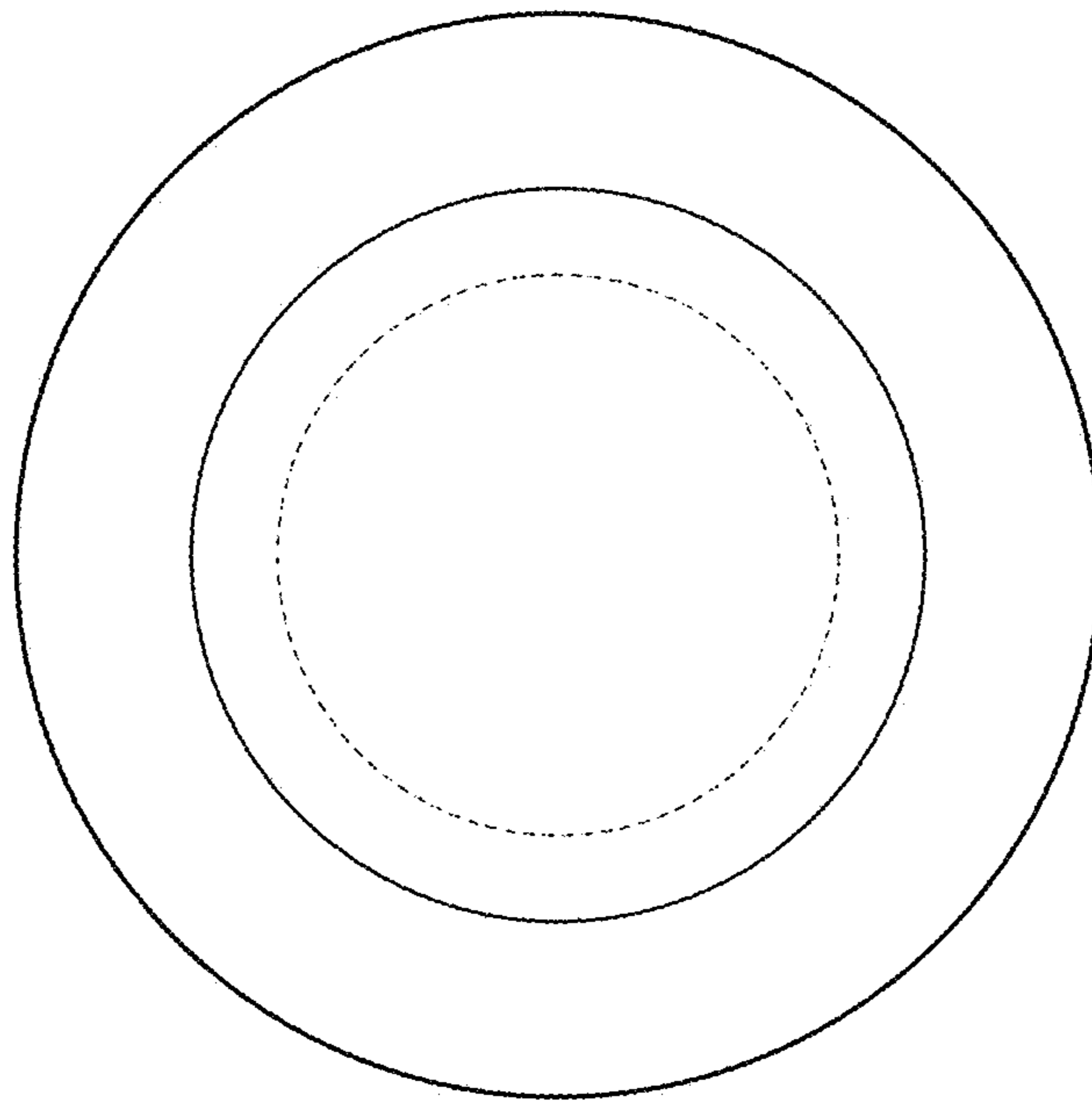


FIG. 3

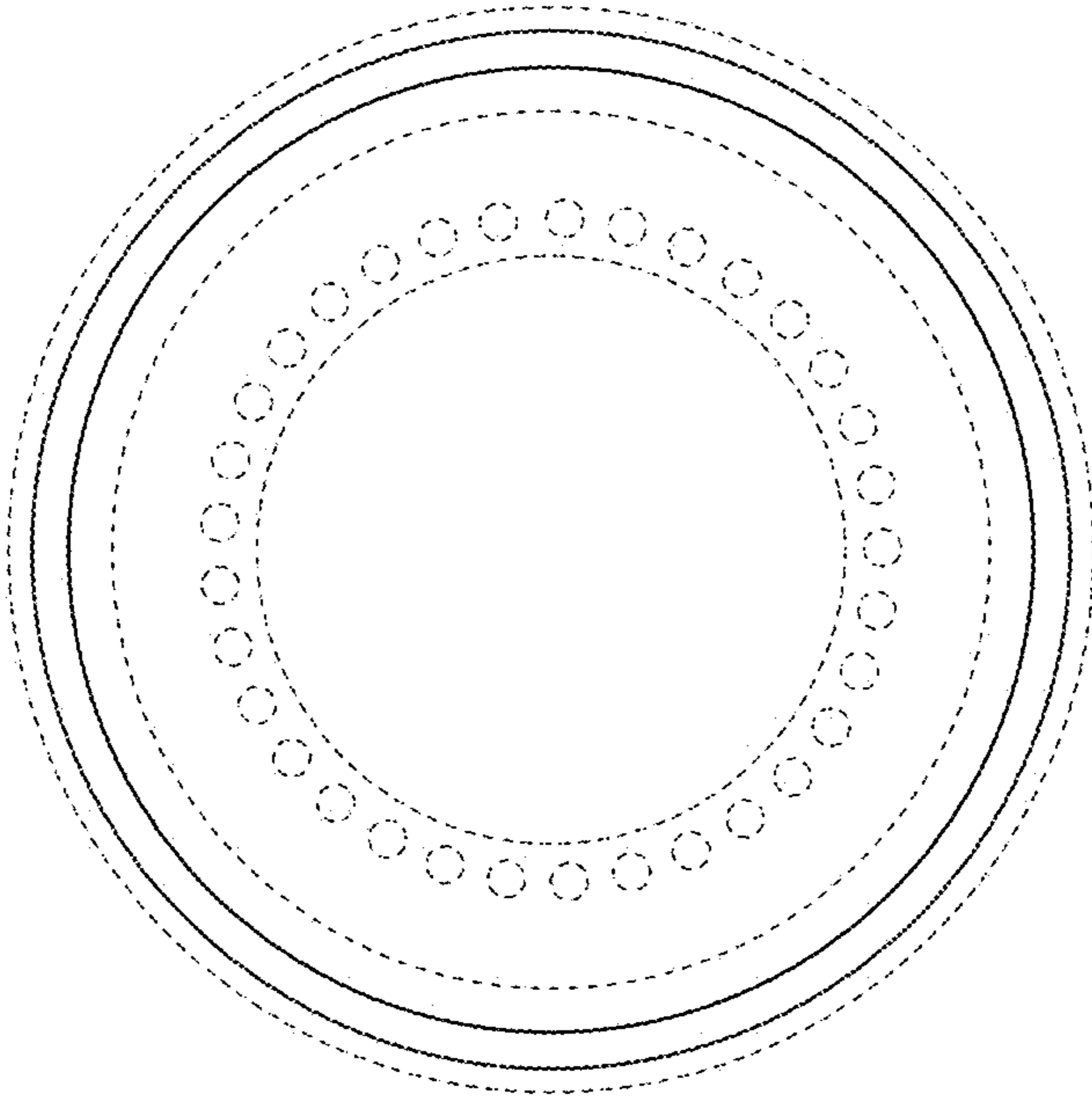


FIG. 4