



US00D935883S

(12) **United States Design Patent**
Wilcox

(10) **Patent No.:** **US D935,883 S**
(45) **Date of Patent:** **** Nov. 16, 2021**

- (54) **DRINKWARE LID**
- (71) Applicant: **Wilcox Enterprises, LLC**, Cedarburg, WI (US)
- (72) Inventor: **Jay Wilcox**, Cedarburg, WI (US)
- (73) Assignee: **Wilcox Enterprises, LLC**, Cedarburg, WI (US)
- (**) Term: **15 Years**
- (21) Appl. No.: **29/717,573**
- (22) Filed: **Dec. 18, 2019**
- (51) **LOC (13) Cl.** **09-07**
- (52) **U.S. Cl.**
USPC **D9/435**
- (58) **Field of Classification Search**
USPC D7/509, 510, 511, 624.1, 387, 391, 392, D7/392.1, 393, 396.1, 396.2; D9/434, D9/435, 439, 445, 447, 448, 449, 451, D9/454, 438, 440, 443, 452, 453, 686, D9/723, 724, 436; D23/259, 260, 261, D23/209, 210; D24/162, 127
CPC B65D 43/265; B65D 17/506; B65D 47/04; B65D 47/06; B65D 47/08; B65D 47/20; B65D 1/00; B65D 1/02; B65D 1/10; B65D 1/46; B65D 2585/56; B65D 2585/545; B65D 41/00; B65D 41/38; B65D 41/56; B65D 41/62; B65D 47/00; B65D 23/00; B65D 51/1694; B65D 43/0212; B65D 43/0208; B65D 2543/00046; B65D 2543/00092; B65D 1/24; B65D 25/04; B65D 43/09; B65D 43/16; A61J 1/00; A61J 1/1412; A61J 1/02

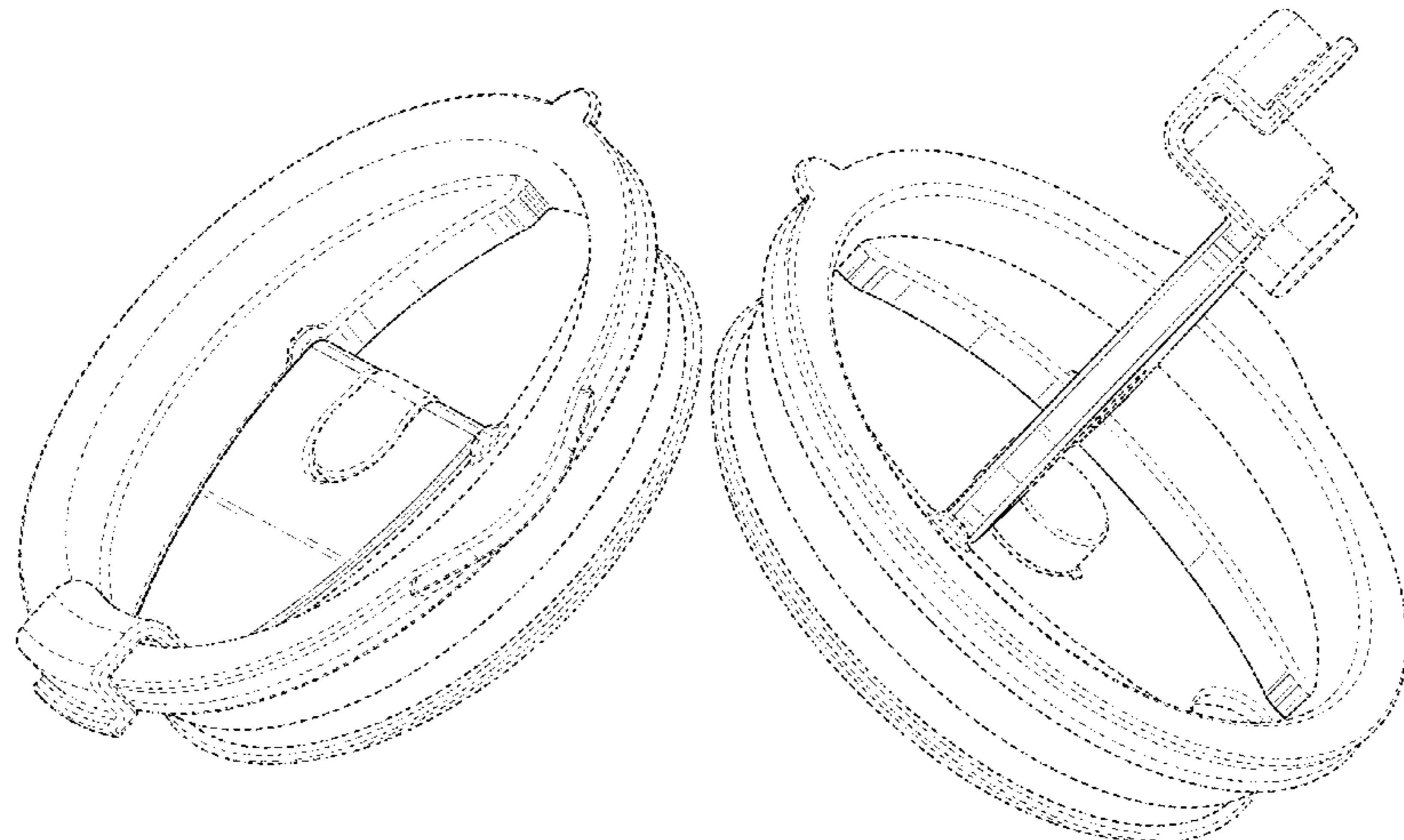
3,059,816 A	10/1962	Godlstein
4,040,549 A	8/1977	Sadler
4,545,508 A	10/1985	Cribb, Jr. et al.
D295,831 S	5/1988	Urion
5,086,941 A	2/1992	English et al.
5,203,467 A	4/1993	Tucker
5,212,963 A	5/1993	McGinnis
5,244,113 A	9/1993	Stymiest
5,294,014 A	3/1994	Wyatt et al.
5,413,257 A	5/1995	Amberger et al.
5,415,312 A	5/1995	Mueller
5,462,189 A	10/1995	Pierce
D373,704 S	9/1996	Doxey
5,653,124 A	8/1997	Weber
D386,948 S	12/1997	Wissinger
D398,187 S	9/1998	Parker
D398,479 S	9/1998	Vultaggio et al.
D416,198 S	11/1999	Lindsay
D416,755 S	11/1999	Trombly
6,098,834 A	8/2000	Hatsumoto et al.
6,382,476 B1	5/2002	Randall et al.
D481,591 S	11/2003	Lin
D485,759 S	1/2004	Janky et al.
6,752,287 B1	6/2004	Lin
D492,546 S	7/2004	Bodum
D493,068 S	7/2004	Slater et al.
D501,362 S	2/2005	Gauss
D504,796 S *	5/2005	Schuler D7/392.1
7,021,481 B2	4/2006	Germain et al.
D534,762 S	1/2007	Gluck
D539,155 S	3/2007	Steinman
D539,609 S	4/2007	Ying et al.
D539,657 S	4/2007	Webb
D541,665 S	5/2007	Druart
D551,984 S	10/2007	La Kier et al.
D557,140 S	12/2007	Voight
D565,901 S	4/2008	Edelstein et al.
D577,548 S	9/2008	Homma
D584,106 S	1/2009	Wong
D589,747 S	4/2009	Wong
D591,103 S	4/2009	Wong
D591,556 S	5/2009	Fuller
D600,071 S	9/2009	Carreno
D600,073 S	9/2009	Carreno
D602,362 S	10/2009	Hering
7,628,285 B2	12/2009	Salvia
D625,951 S	10/2010	Baek
D635,019 S	3/2011	Goto et al.
7,918,359 B2	4/2011	Paris et al.
D641,591 S	7/2011	Tsukida
D643,245 S	8/2011	Minarsch
D644,060 S	8/2011	Komeji
8,033,407 B2	10/2011	Minca

See application file for complete search history.

(56) **References Cited**

U.S. PATENT DOCUMENTS

- 2,304,214 A 12/1942 Straub
- 3,061,151 A 12/1960 Clare



D647,753 S	11/2011	Lin	
D654,762 S	2/2012	Gilbert	
D655,967 S	3/2012	Bodum	
D660,084 S	5/2012	Gilbert	
D664,045 S	7/2012	Toh	
D688,092 S	8/2013	Arnold et al.	
D690,988 S	10/2013	Audette	
D691,416 S	10/2013	Eyal	
D692,756 S	11/2013	McClellan et al.	
D696,940 S	1/2014	Hale et al.	
8,672,174 B1	3/2014	McMullin	
D707,087 S	6/2014	Joy	
D713,686 S	9/2014	Eyal	
D715,100 S	10/2014	Eyal	
D717,115 S	11/2014	Lane et al.	
D719,023 S *	12/2014	Hu	D9/449
8,899,440 B2	12/2014	Arnold et al.	
D721,535 S	1/2015	Chapman et al.	
D721,540 S	1/2015	Grcic	
D727,093 S	4/2015	Lapsker	
D727,688 S	4/2015	Hewitt et al.	
D728,314 S	5/2015	Carstensen	
D731,251 S	6/2015	Lane	
D732,968 S	6/2015	Heisner et al.	
9,113,698 B2	8/2015	Blain et al.	
D747,199 S	1/2016	Phillips	
D747,649 S	1/2016	Phillips	
D750,497 S	3/2016	Gibbs et al.	
D751,338 S	3/2016	Seiders et al.	
D751,339 S	3/2016	Seiders et al.	
D751,340 S	3/2016	Seiders et al.	
D751,341 S	3/2016	Seiders et al.	
D761,618 S	7/2016	Lapsker	
D761,623 S	7/2016	Leimone	
D761,624 S	7/2016	McLean	
9,398,822 B2	7/2016	Wille	
D770,851 S	11/2016	Herbst	
D773,296 S	12/2016	Lynd et al.	
D775,495 S	1/2017	Boroski et al.	
D778,666 S *	2/2017	De Leo	D7/392.1
D780,530 S	3/2017	Seiders	
D784,763 S	4/2017	Oshana	
D786,700 S	5/2017	Schlatter	
D788,583 S	6/2017	Tu	
D789,737 S	6/2017	Eyal	
D790,272 S *	6/2017	Han	D7/396.2
D799,901 S	10/2017	Jacobs	
D802,362 S	11/2017	Spivey et al.	
D803,619 S	11/2017	Seiders et al.	
D803,623 S	11/2017	Bodum	
D803,684 S	11/2017	Seiders et al.	
D804,905 S	11/2017	Seiders et al.	
D814,240 S	4/2018	Kabalin	
D814,297 S *	4/2018	Silsby	D9/440
D815,893 S	4/2018	Seiders et al.	
D819,406 S	6/2018	Rivera	
D820,045 S	6/2018	Harrington, III et al.	
D820,635 S *	6/2018	Hammer	D7/392.1
D821,151 S	6/2018	Lapsker	
10,005,608 B1	6/2018	Jacobs	
D836,395 S	12/2018	Seiders et al.	
10,159,368 B2	12/2018	Lin	
D836,974 S	1/2019	Seiders et al.	
D836,983 S	1/2019	Jacobs	
D850,189 S *	6/2019	Burton	D7/392
D862,976 S *	10/2019	Melanson	D7/392
D863,874 S *	10/2019	Melanson	D7/392
10,457,471 B2	10/2019	Jacobs	
D867,057 S *	11/2019	Spivey	D7/392
10,486,868 B2	11/2019	Spivey et al.	
D882,334 S *	4/2020	Henkel	D7/396.2
D889,199 S *	7/2020	Shepard	D7/396.2
D896,575 S *	9/2020	Xie	D7/392.1
D897,148 S *	9/2020	Han	D7/392.1
D898,506 S *	10/2020	Perman	D7/392.1
D902,646 S *	11/2020	Seiders	D7/392.1
2003/0071041 A1	4/2003	Vogel	
2003/0168455 A1	9/2003	Zette et al.	
2005/0045634 A1	3/2005	Ward et al.	

2005/0269325 A1	12/2005	Belcastro
2006/0043091 A1	3/2006	Pinelli et al.
2007/0164026 A1	7/2007	Morrissey et al.
2008/0073343 A1	3/2008	Shadrach et al.
2010/0200602 A1	8/2010	Chan
2010/0288782 A1	11/2010	Lin
2012/0145712 A1	6/2012	Bratsch
2012/0241454 A1	9/2012	Dennis
2013/0062358 A1	3/2013	El-Saden et al.
2013/0126369 A1	5/2013	Gamelli
2013/0200112 A1	8/2013	Pierre
2013/0320012 A1	12/2013	Lucas
2014/0205725 A1	7/2014	Albanese
2014/0251938 A1	9/2014	Rose
2014/0263476 A1	9/2014	Blain et al.
2016/0270572 A1	9/2016	Karussi et al.
2017/0273484 A1	9/2017	Spivey et al.
2018/0332987 A1	11/2018	Lin

FOREIGN PATENT DOCUMENTS

CA 171462 * 7/2017

OTHER PUBLICATIONS

Replacement Lid: Announced Jul. 2019 [online]. Site Visited [Dec. 28, 2020]. Available from Internet URL: https://www.amazon.com/Replacement-Stainless-Insulated-Compatible-Resistant/dp/B07JZVNVY2/ref=cm_cr_arp_d_product_top?ie=UTF8.*

Tumbler Lid: Announced Nov. 2019 [online]. Site Visited [Dec. 28, 2020]. Available from Internet URL: <https://www.amazon.com/dp/B07WSLCK84?th=1>.*

Leak Proof Lid: Site Visited [Dec. 28, 2020]. Available from Internet URL: https://www.alibaba.com/product-detail/Fashion-leak-proof-Reusable-Plastic-Cup_1600117888272.htm/?spm=a2700.7724857.normal_offer.d_image.%E2%80%A6.*

Indigo Falls Universal Tumbler Lid: Announced Jul. 26, 2020 [online]. Site Visited [Dec. 28, 2020]. Available from Internet URL: <https://indigofalls.com/set-of-2-universal-tumbler-replacement-lids-works-for-18-24-oz/#product-reviews>.*

Tumbler Lid: Announced Oct. 30, 2019 [online]. Site Visited [May 7, 2021]. Available at Internet URL: <https://www.amazon.com/Tumbler-Spill-Replacement-Rambler-Tumblers/dp/B07ZRDW5BL>.*

Reduce, “Cold1 Lid/Straw”, available at <https://reduceeveryday.com/collections/accessories/products/cold1-lid-straw-small>, website visited May 31, 2019.

Drinkware lid, available at least as early as Mar. 1, 2018.

Starbucks; “Starbucks Holiday 2013 Candy Twist Tumbler, 12 fl oz”, downloaded Mar. 8, 2021 at <https://www.amazon.com/starbucks-holiday-candy-twist-tumbler/dp/b00gpwxc6Q>.

Starbucks; “Starbucks New Logo Grande Travel Mug/Tumbler”, screenshot Mar. 8, 2021 at https://www.amazon.com/starbucks-logo-Grande-Travel_Tumbler/dp/B00RAK5PQ2.

Starbucks; Starbucks Stainless Steel Tumbler with Handle—Charcoal, 16 Fl Oz, screenshot Mar. 8, 2021 at https://www.amazon.com/Starbucks/Stainless-Steel-Tumbler_Handle/dp/B00F12IIPQ.

Starbucks; “Starbucks Dot Collection Tumbler—Graffiti Green Dot, 16 Fl Oz” screenshot Mar. 8, 2021 at <https://www.amazon.com/Starbucks-DOT-Collection-Tumbler-Graffiti/dp/B00RF0Z5EO>.

Reduce Everyday Cold1 Lid/Straw Large, downloaded Mar. 8, 2021 at: <https://reduceeveryday.com/collections/accessories/products/cold1-lid-straw-large>.

Primula Products Avalanche 20-oz tumbler, downloaded Mar. 8, 2021 at: <https://primulaproducts.com/product/drinkware/hydration/thermal-carafes/avalanche-20-oz-stainless-steel-thermal-tumbler/>.

Primula Products Avalanche 32-oz tumbler, downloaded Mar. 8, 2021 at: <https://primulaproducts.com/product/drinkware/hydration/thermal-carafes/avalanche-32-oz-brushed-stainless-steel/>.

Primula Products Drinkware, downloaded Mar. 8, 2021 at: <https://primulaproducts.com/category/drinkware/>.
Drinkware lid available at least as early as Jun. 1, 2019.

* cited by examiner

Primary Examiner — Eric L Goodman
Assistant Examiner — Sarah L Smith
(74) *Attorney, Agent, or Firm* — Andrus Intellectual
Property Law, LLP

(57)

CLAIM

The ornamental design for a drinkware lid, as shown and described.

DESCRIPTION

FIG. 1 is a first front, top perspective view of a drinkware lid showing my new design showing the cover flap in a closed position;

FIG. 2 is another first front top perspective view of the drinkware lid with the cover flap in an open position;

FIG. 3 is a second front top perspective view of the drinkware lid with the cover flap in the closed position;

FIG. 4 is another second front top perspective view of the drinkware lid with the cover flap in the open position;

FIG. 5 is a top plan view of the drinkware lid with the cover flap in the closed position;

FIG. 6 is a top plan view of the drinkware lid with the cover flap in the open position; and,

FIG. 7 is a bottom plan view of the drinkware lid.

The broken lines illustrate portions of the drinkware lid that form no part of the claimed design.

1 Claim, 7 Drawing Sheets

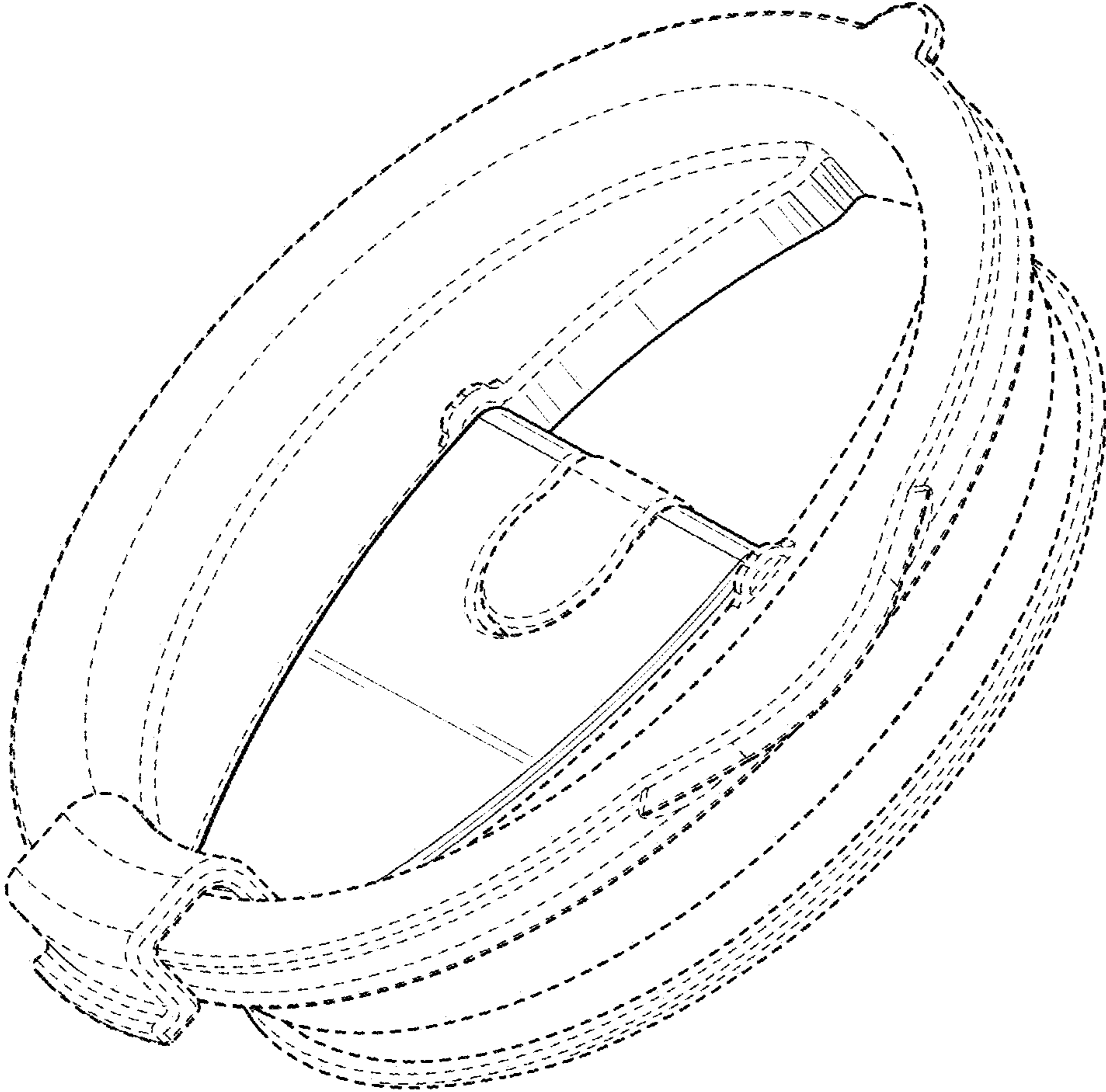


FIG. 1

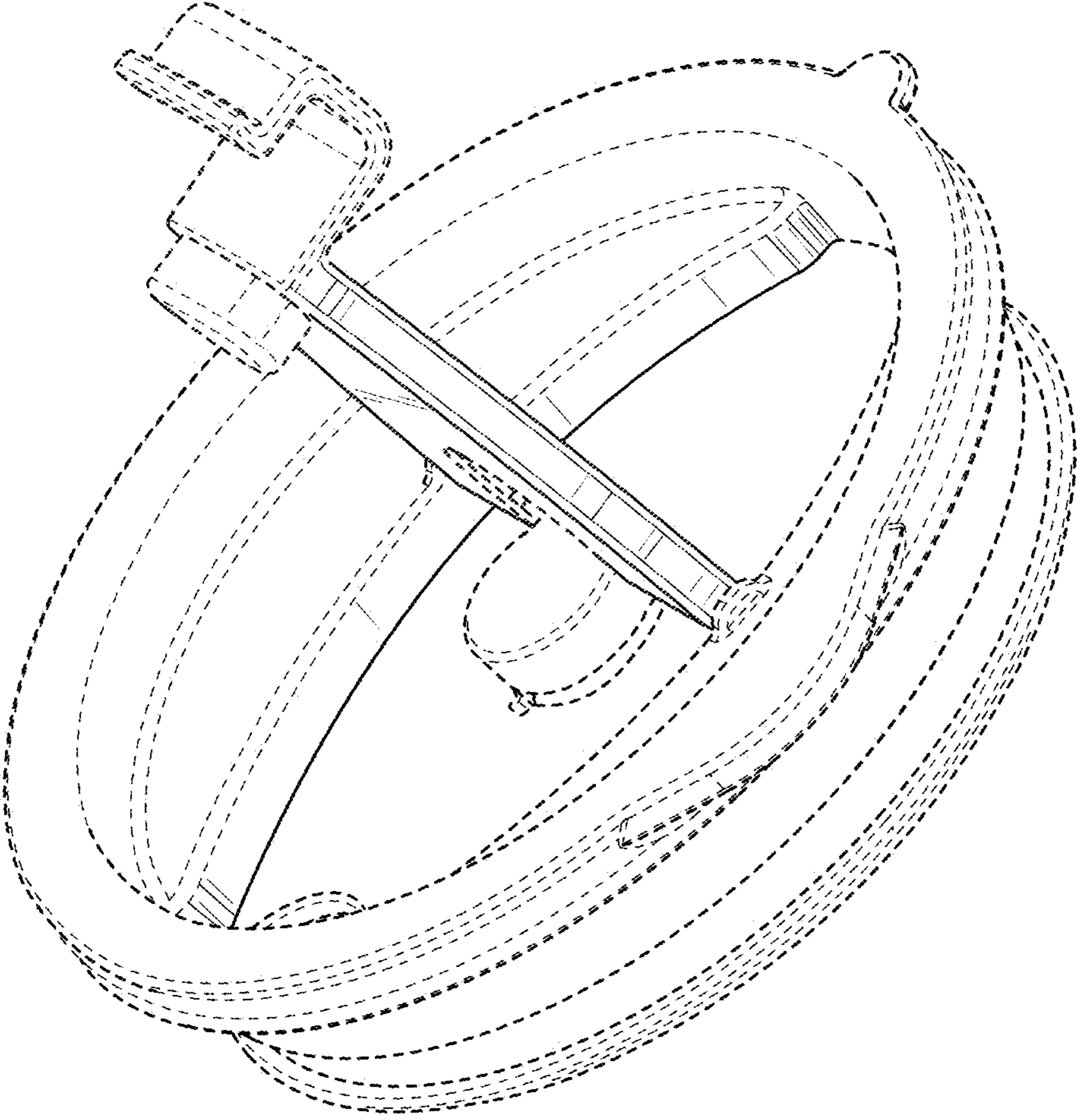


FIG. 2

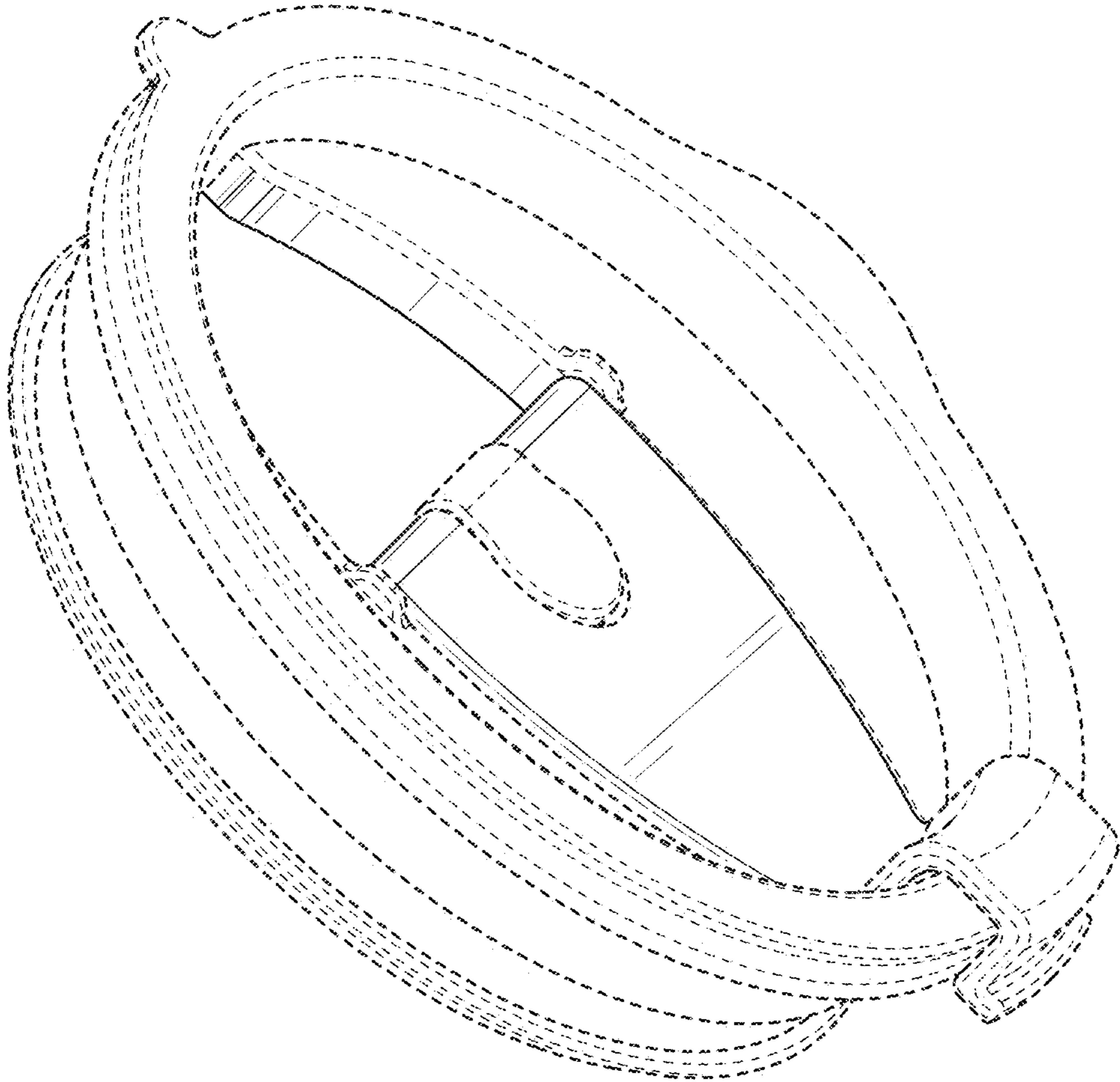


FIG. 3

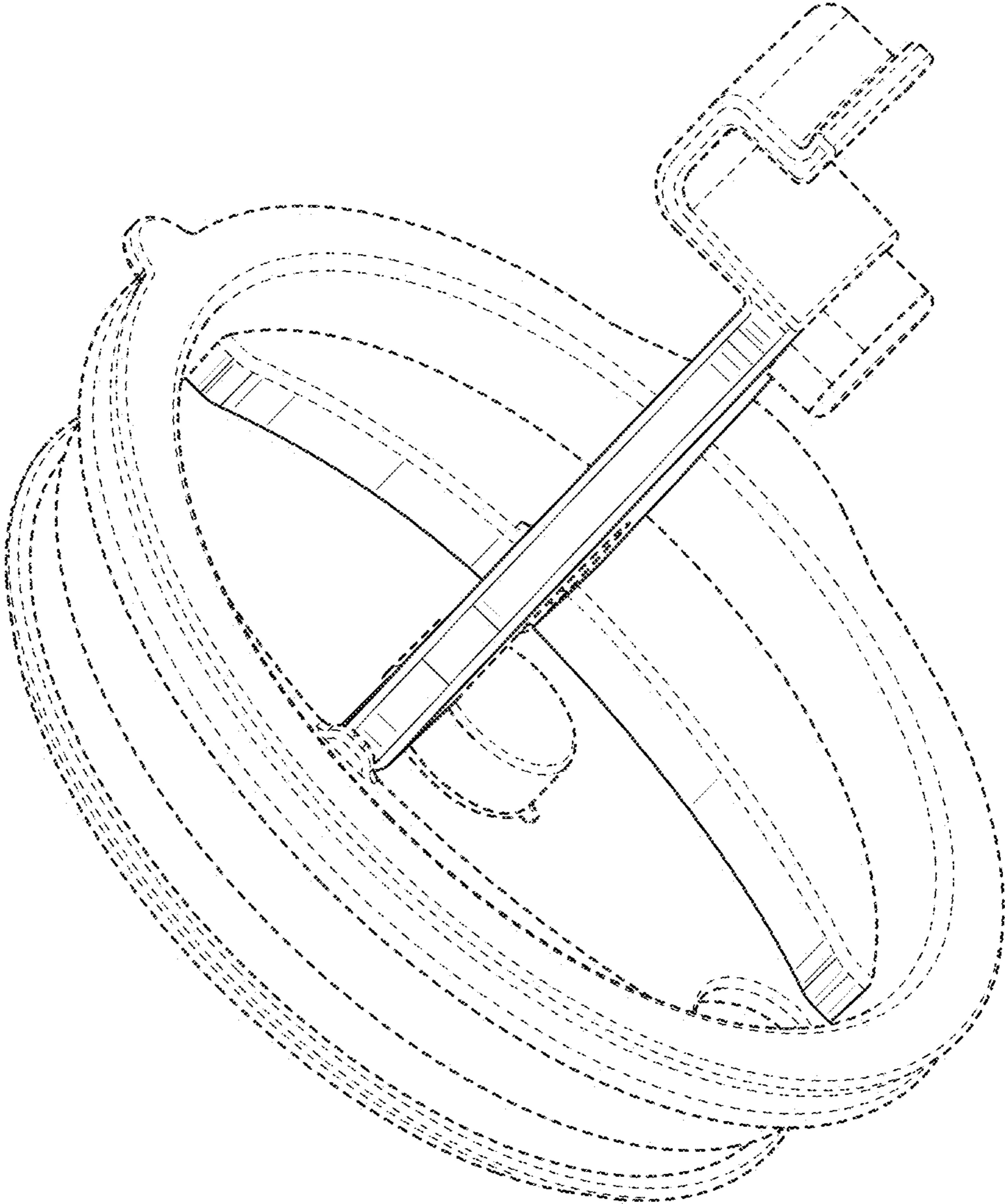


FIG. 4

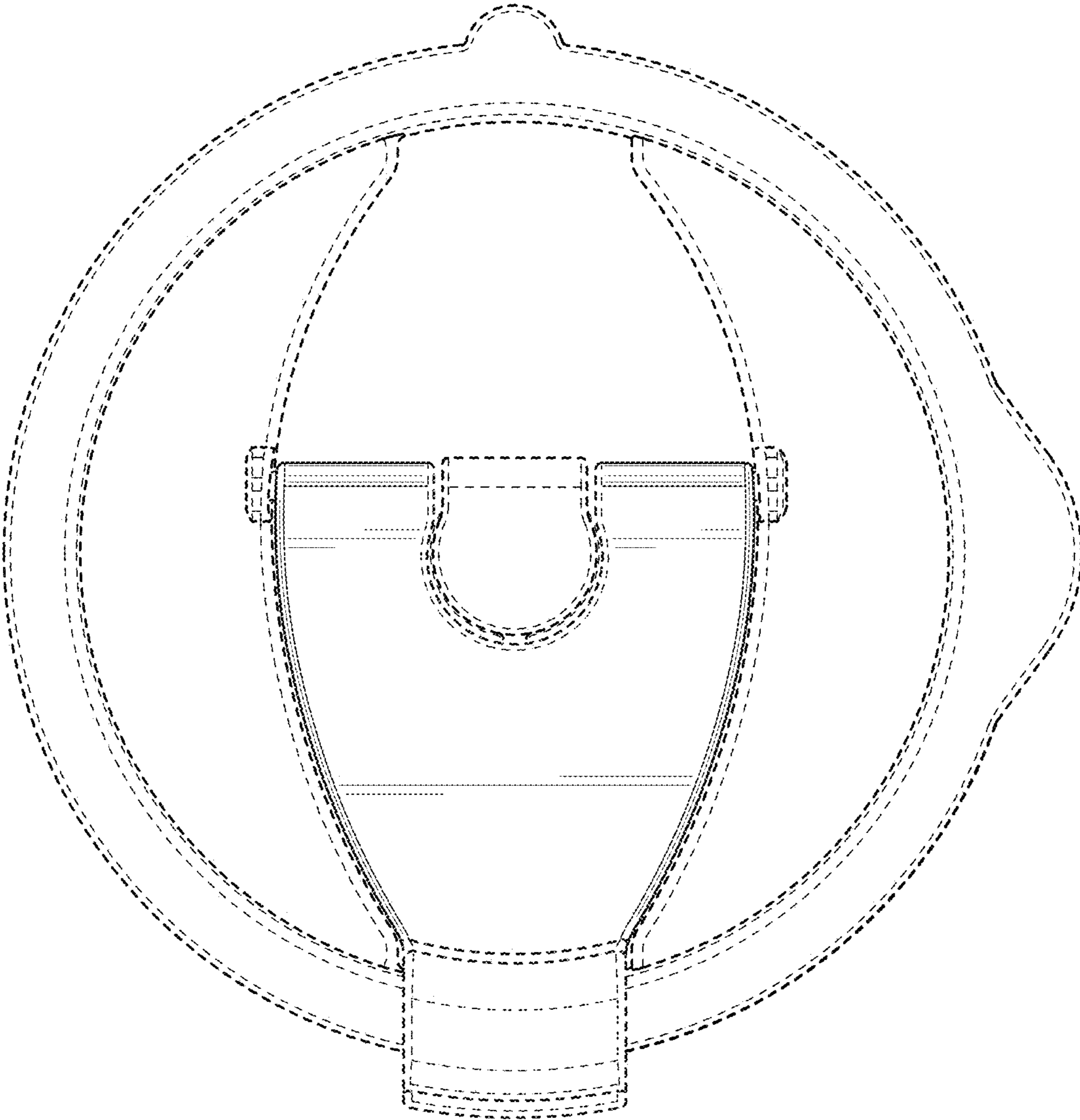


FIG. 5

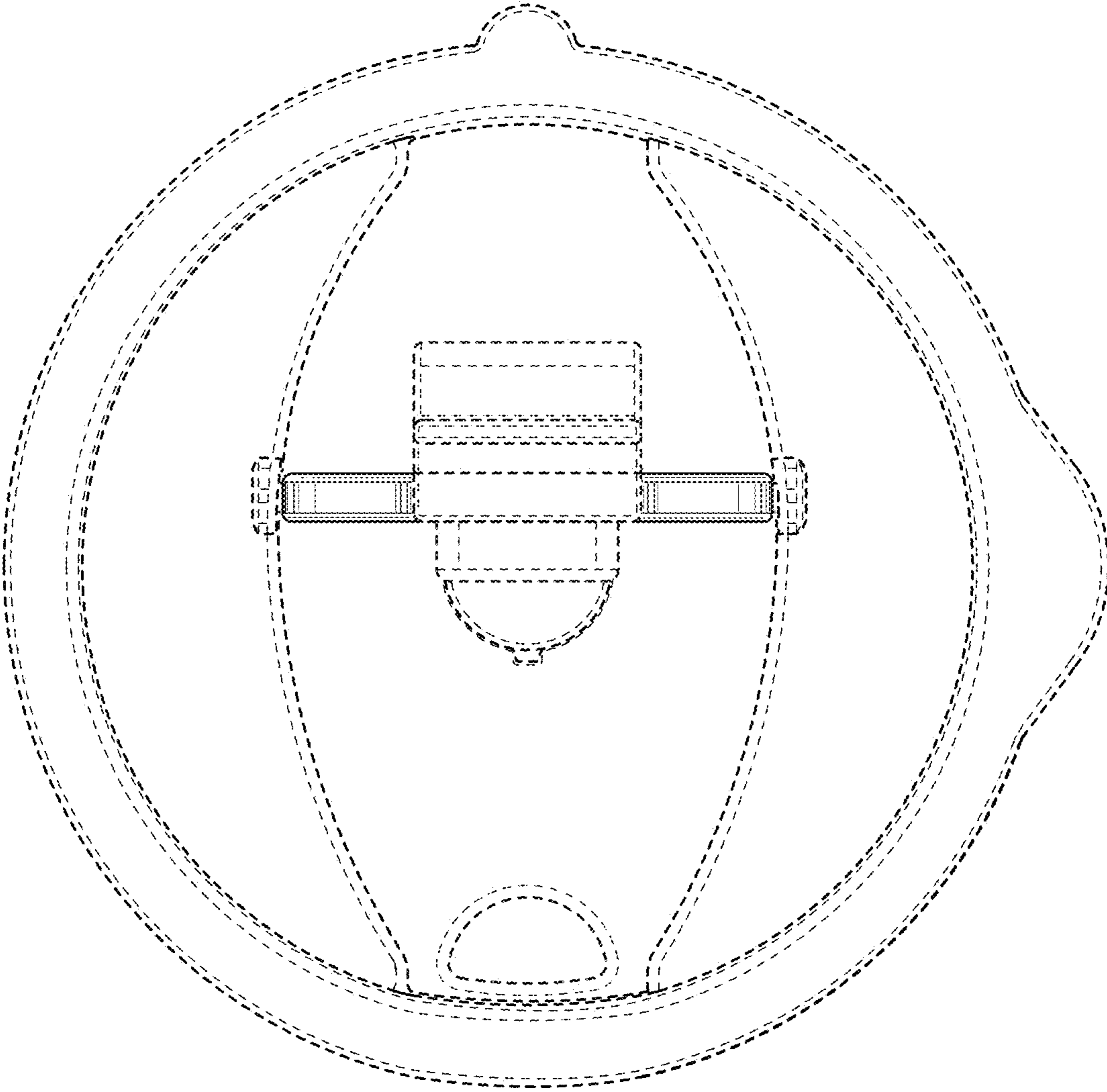


FIG. 6

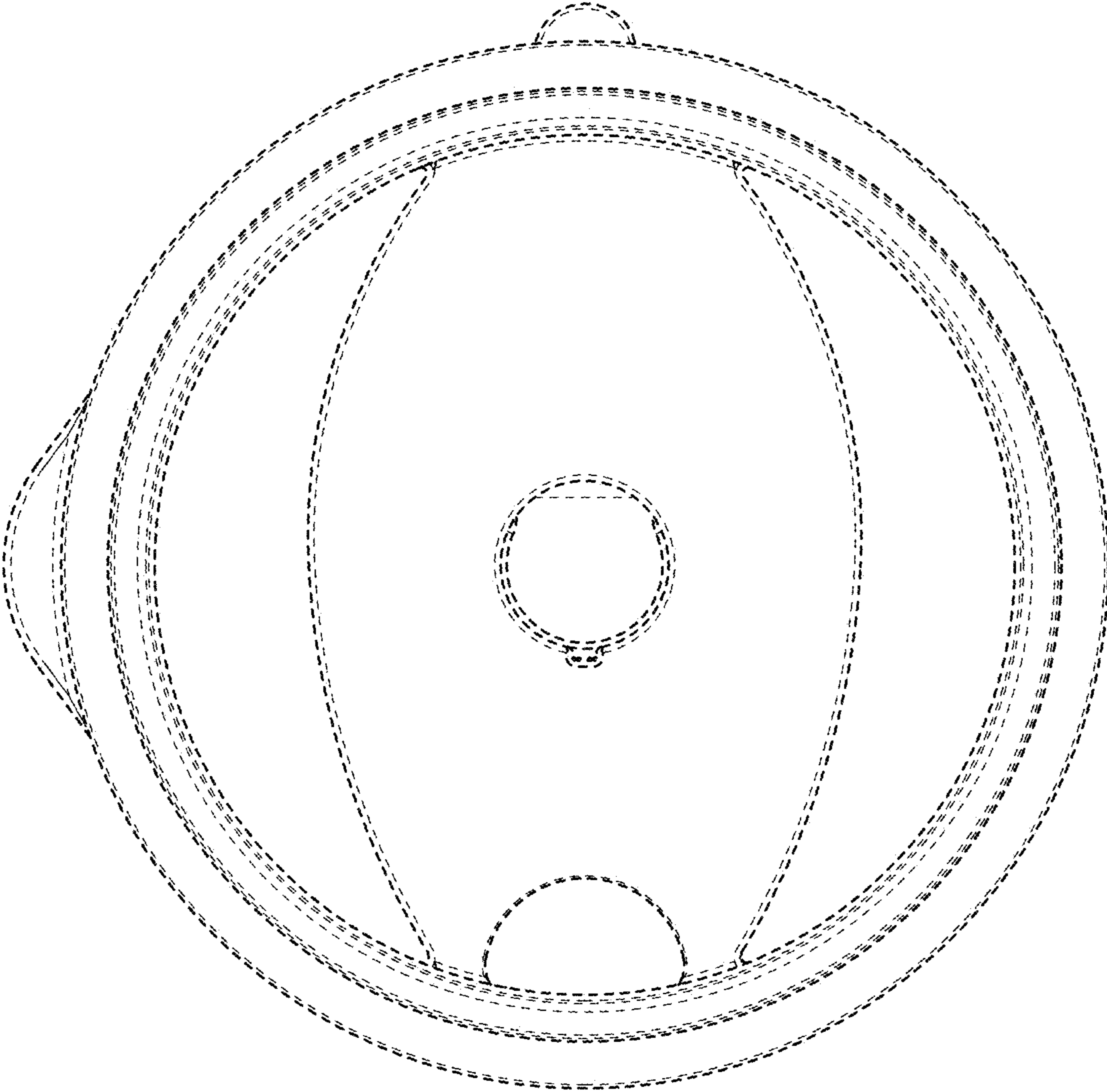


FIG. 7