



US00D935882S

(12) **United States Design Patent**  
**Ovsiew et al.**

(10) **Patent No.:** **US D935,882 S**

(45) **Date of Patent:** **\*\* Nov. 16, 2021**

(54) **FOLDING CONTAINER**

(71) Applicant: **SABERT CORPORATION**,  
Sayreville, NJ (US)

(72) Inventors: **Sarah Ovsiew**, Springfield, NJ (US);  
**Yohanan Siskindovich**, Glen Ridge, NJ  
(US)

(73) Assignee: **SABERT CORPORATION**,  
Sayreville, NJ (US)

(\*\*) Term: **15 Years**

(21) Appl. No.: **29/687,867**

(22) Filed: **Apr. 16, 2019**

(51) **LOC (13) Cl.** ..... **09-07**

(52) **U.S. Cl.**

USPC ..... **D9/434**

(58) **Field of Classification Search**

USPC ..... D9/414, 424, 425, 428, 432, 434, 435,  
D9/436, 439, 440, 443-450, 452-457,  
D9/499, 503, 516, 682, 685, 686, 421,  
D9/433; D7/387, 391, 392, 392.1, 396.2,  
D7/510, 511, 538, 900; D3/202, 203.2;  
D28/91, 91.1

CPC .. A61J 1/00; A61J 1/1412; B65D 1/00; B65D  
1/02; B65D 1/10; B65D 1/46; B65D  
5/46; B65D 41/00; B65D 41/38; B65D  
41/56; B65D 41/62; B65D 47/00; B65D  
47/06; B65D 47/08; B65D 2251/00;  
B65D 2543/00046; B65D 2543/00092;  
B65D 2543/00296

See application file for complete search history.

(56) **References Cited**

**U.S. PATENT DOCUMENTS**

D11,270 S \* 7/1879 Kaufmann et al. .... D9/421  
D73,127 S \* 7/1927 Greve ..... D9/421

2,562,261 A \* 7/1951 La Vern ..... B65D 5/2061  
229/103.3  
3,773,246 A \* 11/1973 Tyrseck ..... B65D 5/06  
229/110  
4,705,209 A \* 11/1987 Fujihara ..... B65D 5/2057  
229/109

(Continued)

*Primary Examiner* — Wendy L Arminio

(74) *Attorney, Agent, or Firm* — Cozen O'Connor

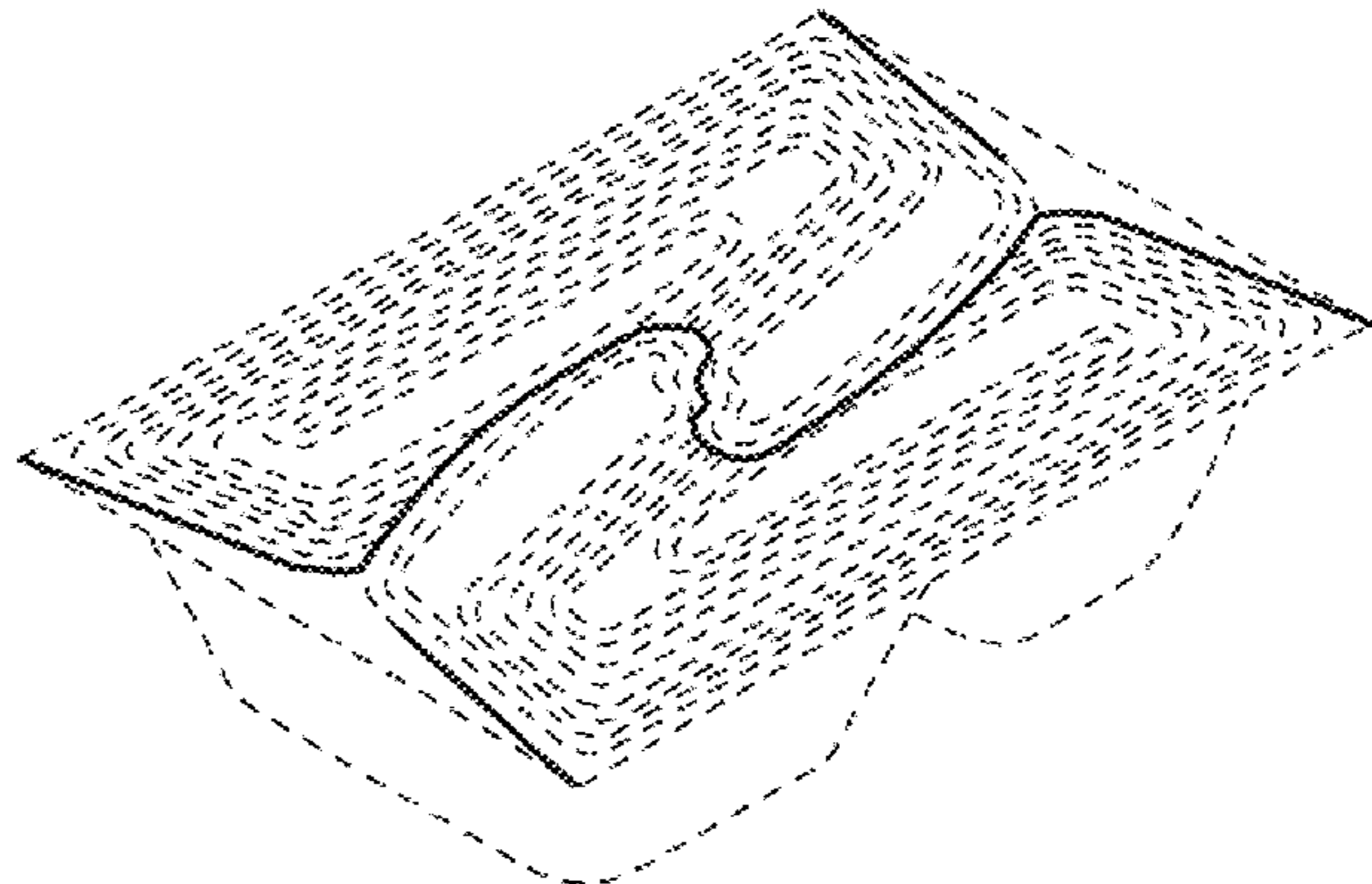
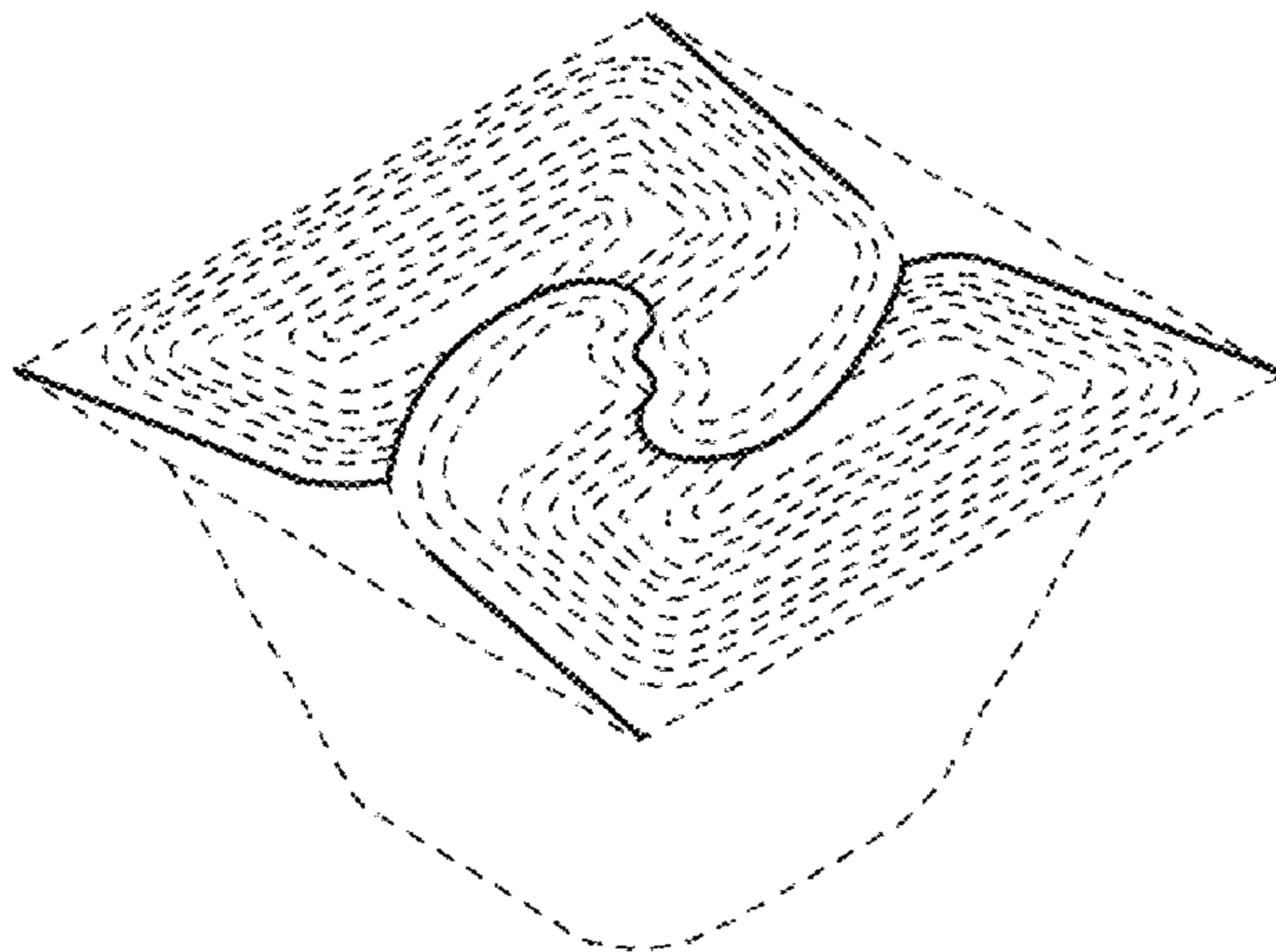
(57) **CLAIM**

The ornamental design for a folding container, as shown and described.

**DESCRIPTION**

FIG. 1 is a top perspective view of a folding container in a closed state in accordance with a first embodiment;  
FIG. 2 is a top view thereof;  
FIG. 3 is a right-side view thereof;  
FIG. 4 is a left-side view thereof;  
FIG. 5 is a bottom view thereof  
FIG. 6 is a top perspective view of the folding container in an open state;  
FIG. 7 is a top view thereof;  
FIG. 8 is a front view of FIG. 7;  
FIG. 9 is a side view of FIG. 7;  
FIG. 10 is a bottom view thereof;  
FIG. 11 is a top perspective view of a folding container in a closed state in accordance with a second embodiment;  
FIG. 12 is a top view thereof;  
FIG. 13 is a side view of FIG. 12;  
FIG. 14 is a front view of FIG. 12;  
FIG. 15 is a bottom view thereof;  
FIG. 16 is a top perspective view of the folding container of the second embodiment in an open state;  
FIG. 17 is a top view thereof;  
FIG. 18 is a side view of FIG. 17;  
FIG. 19 is a front view of FIG. 17; and,  
FIG. 20 is a bottom view thereof.  
The broken lines depict portions of the folding container that form no part of the claimed designs.

**1 Claim, 4 Drawing Sheets**



(56)

**References Cited**

U.S. PATENT DOCUMENTS

4,917,291 A \* 4/1990 Saiki ..... B65D 5/2061  
 229/103.3  
 4,930,680 A \* 6/1990 Hanus ..... B65D 5/06  
 229/110  
 5,411,204 A \* 5/1995 DeMay ..... B65D 5/2047  
 229/114  
 D410,196 S \* 5/1999 Berg ..... D9/432  
 D427,524 S \* 7/2000 Weisz ..... D9/432  
 D442,862 S \* 5/2001 Beutler ..... D9/430  
 D507,178 S \* 7/2005 Biddlecom ..... D9/422  
 D519,366 S \* 4/2006 Epstein ..... D9/431  
 D675,920 S \* 2/2013 Sill ..... D9/432  
 D684,050 S \* 6/2013 Vernon ..... D9/434  
 D684,465 S \* 6/2013 Vernon ..... D9/432  
 D684,858 S \* 6/2013 Sill ..... D9/433  
 D705,053 S \* 5/2014 Nameth ..... D9/432  
 D742,225 S \* 11/2015 Das ..... D9/434  
 D764,281 S \* 8/2016 Mayer ..... D9/420  
 D776,528 S \* 1/2017 Das ..... D9/432  
 D798,707 S \* 10/2017 Mayer ..... D9/431  
 D876,951 S \* 3/2020 Sill ..... D9/421  
 2004/0182916 A1 \* 9/2004 Roseth ..... B65D 5/2047  
 229/155  
 2013/0105563 A1 \* 5/2013 Lee ..... B65D 5/3628  
 229/186  
 2016/0198892 A1 \* 7/2016 Montagut Sala .... B65D 5/3621  
 220/573.1

\* cited by examiner

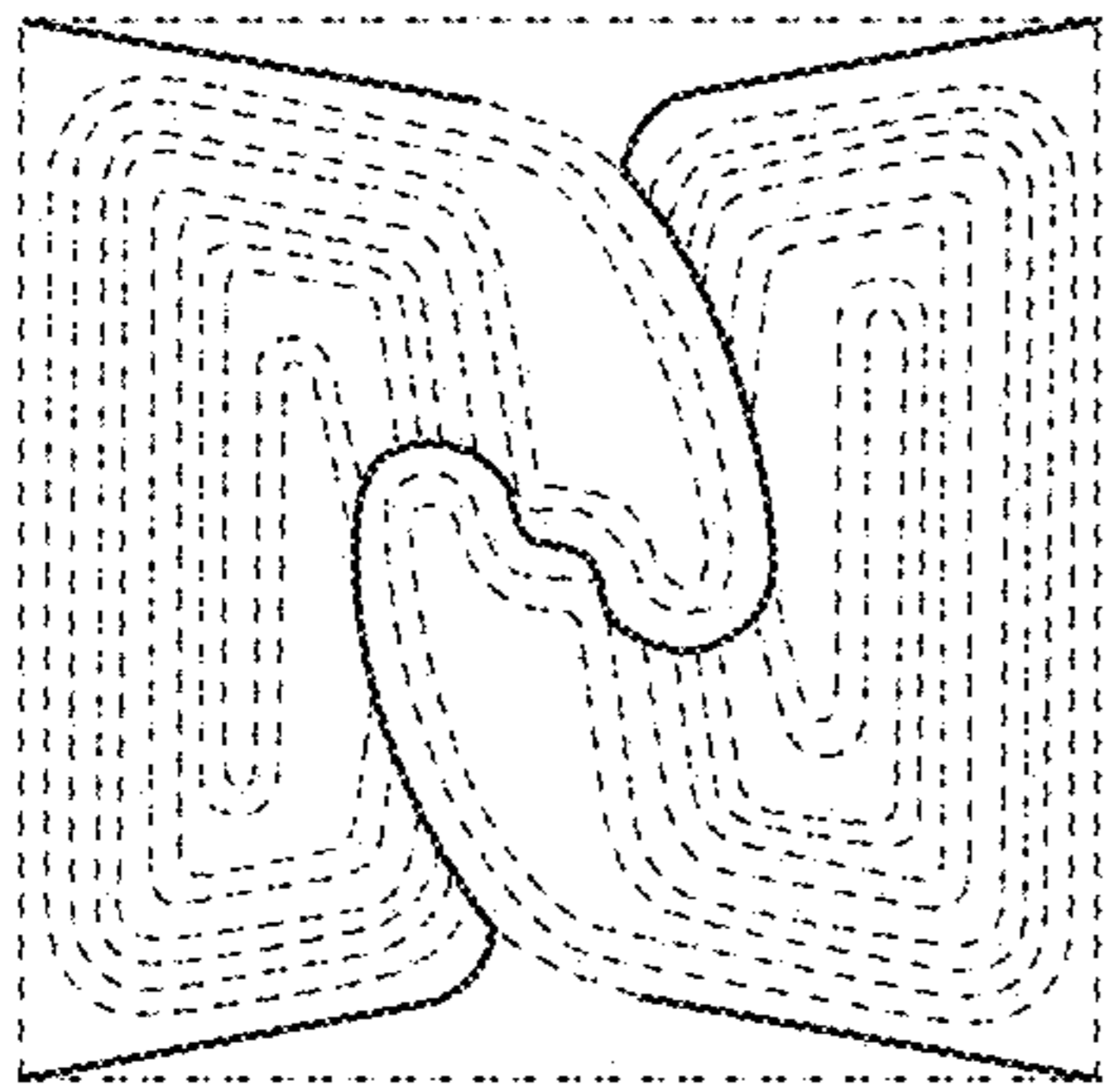


FIG. 2

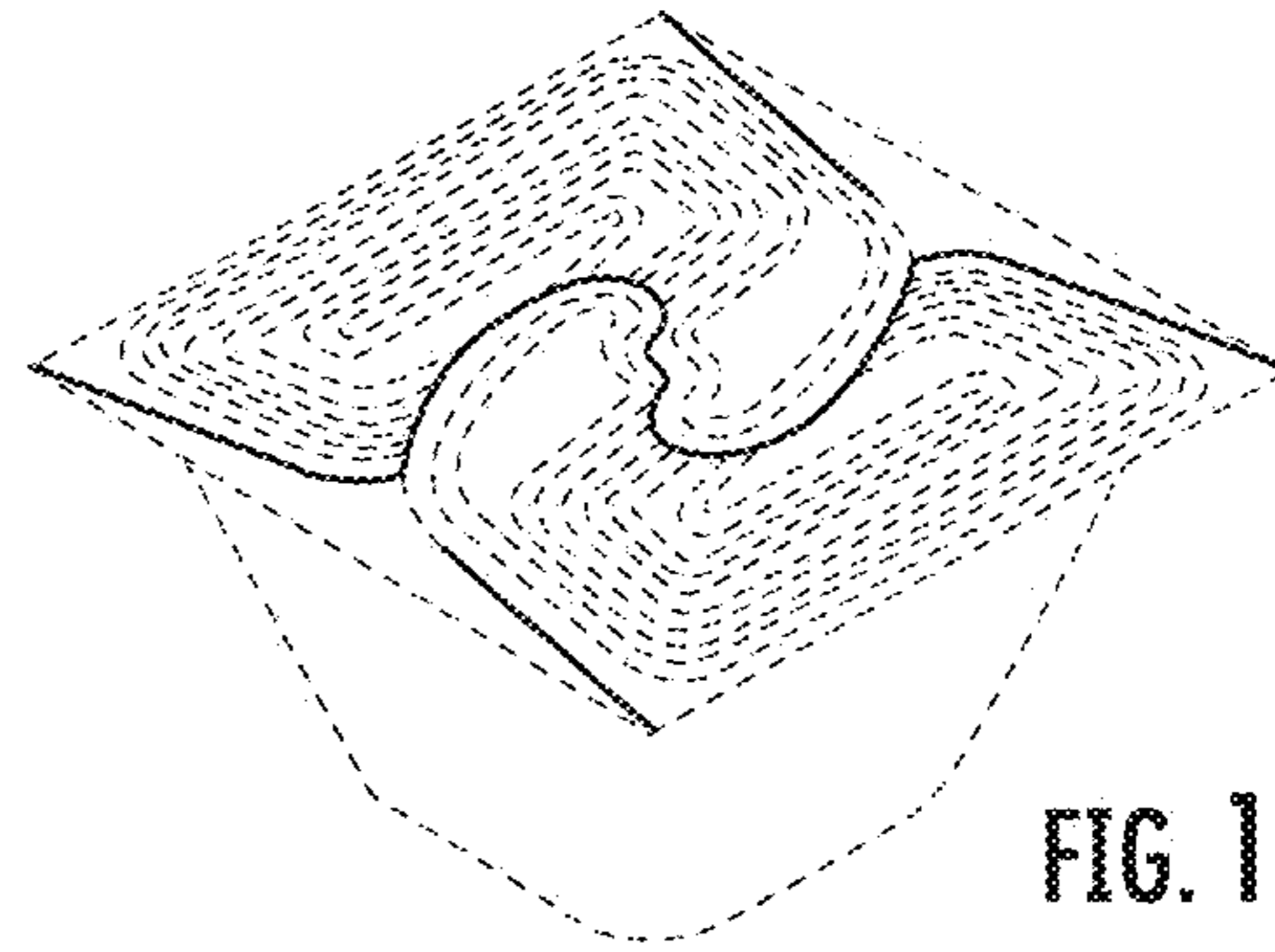


FIG. 1

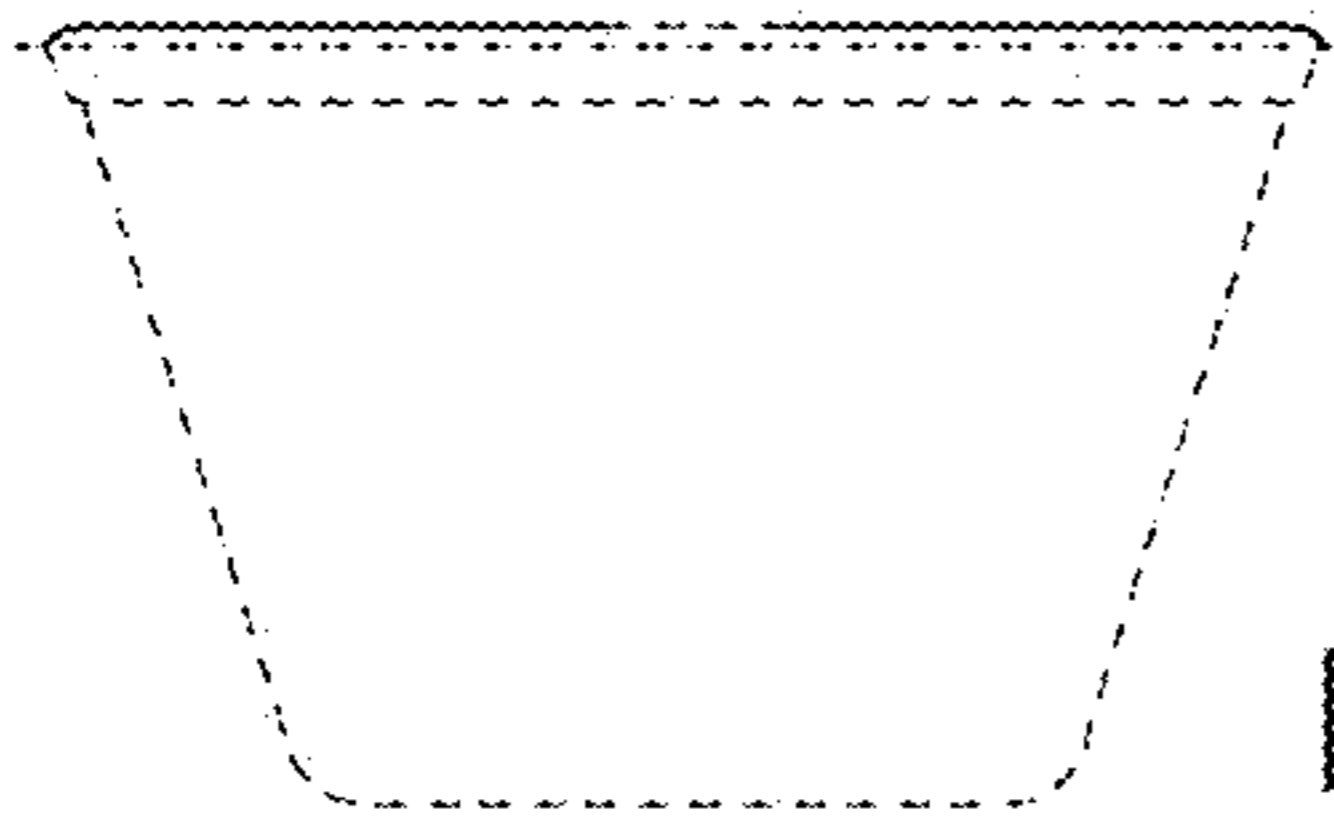


FIG. 4

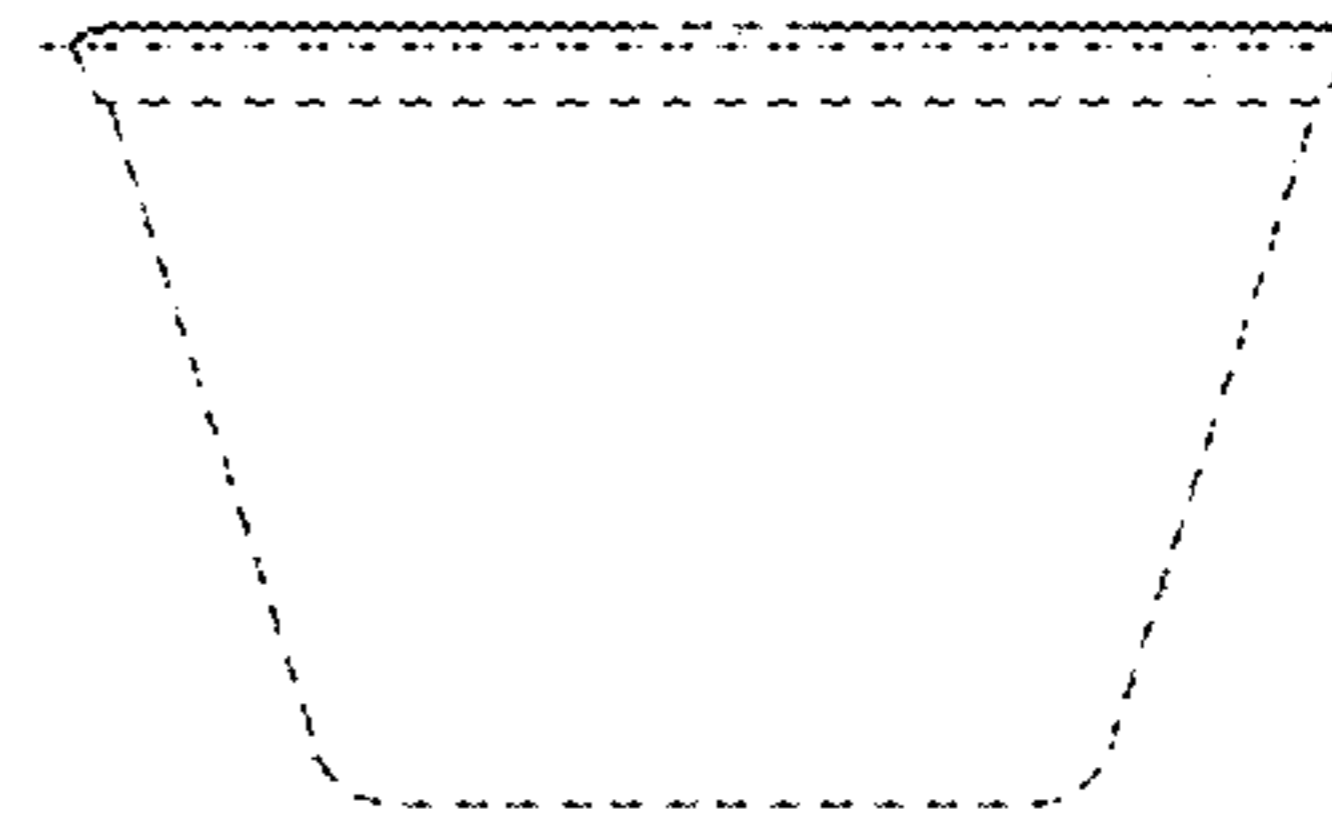


FIG. 3

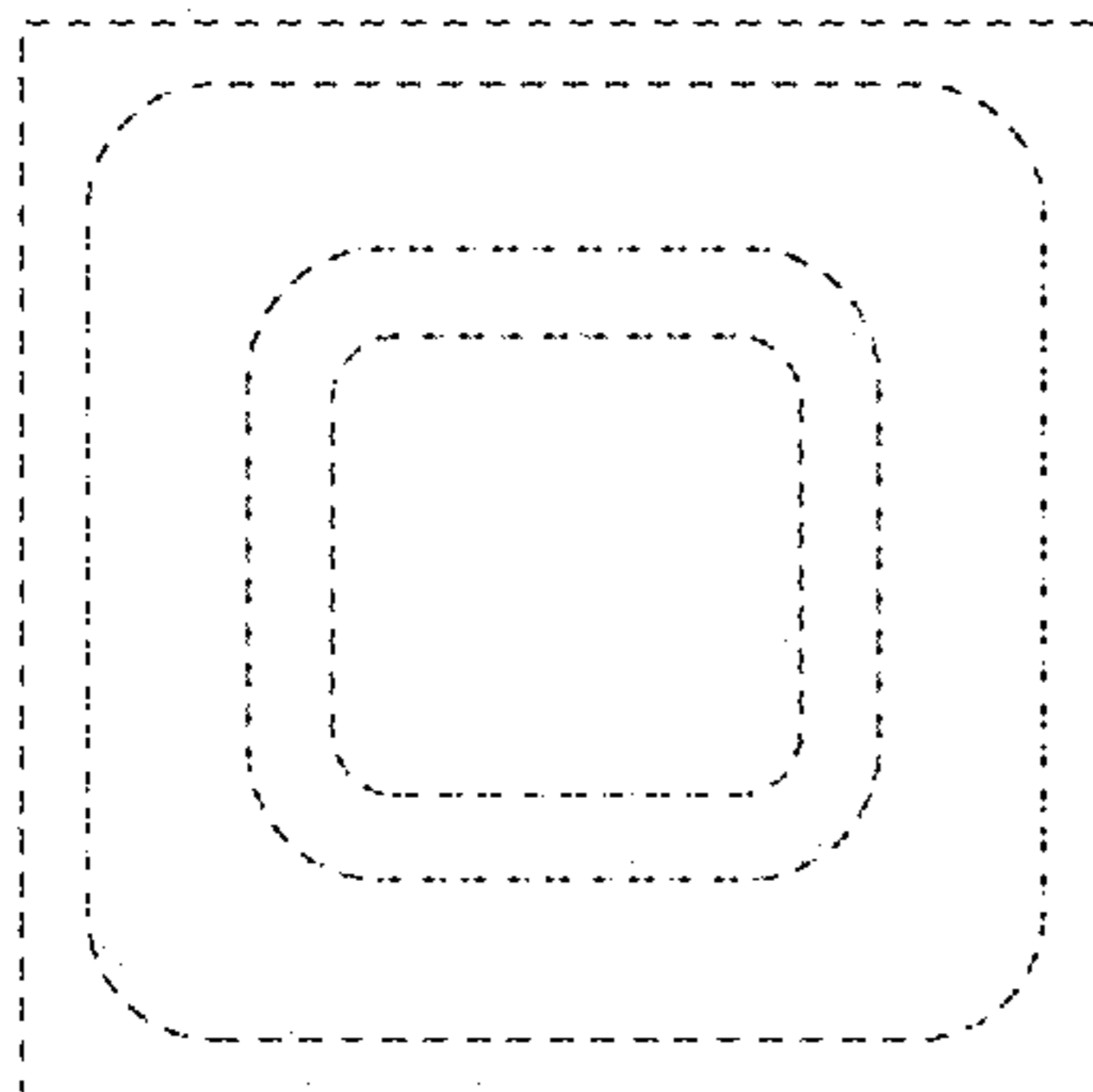


FIG. 5

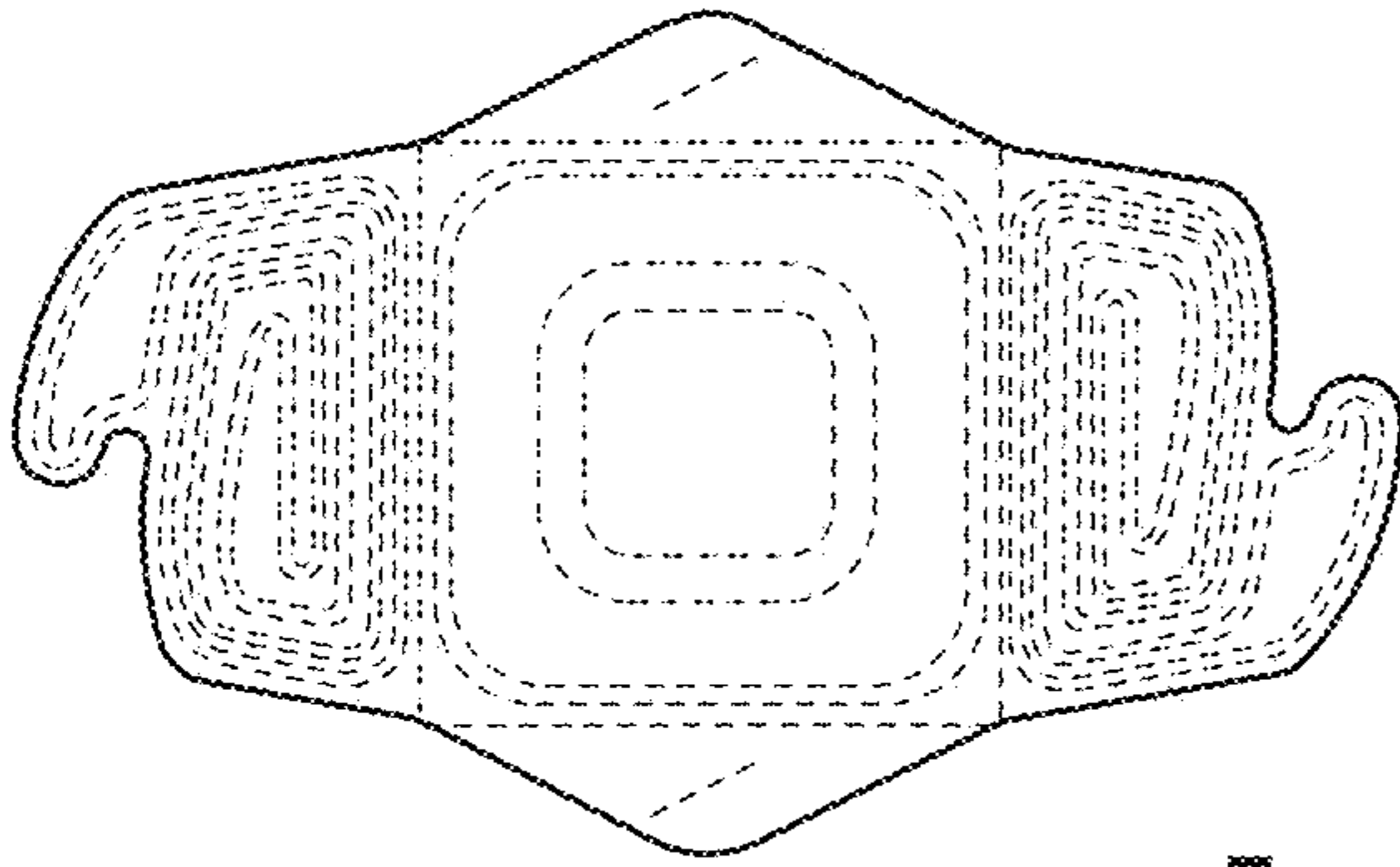


FIG. 7

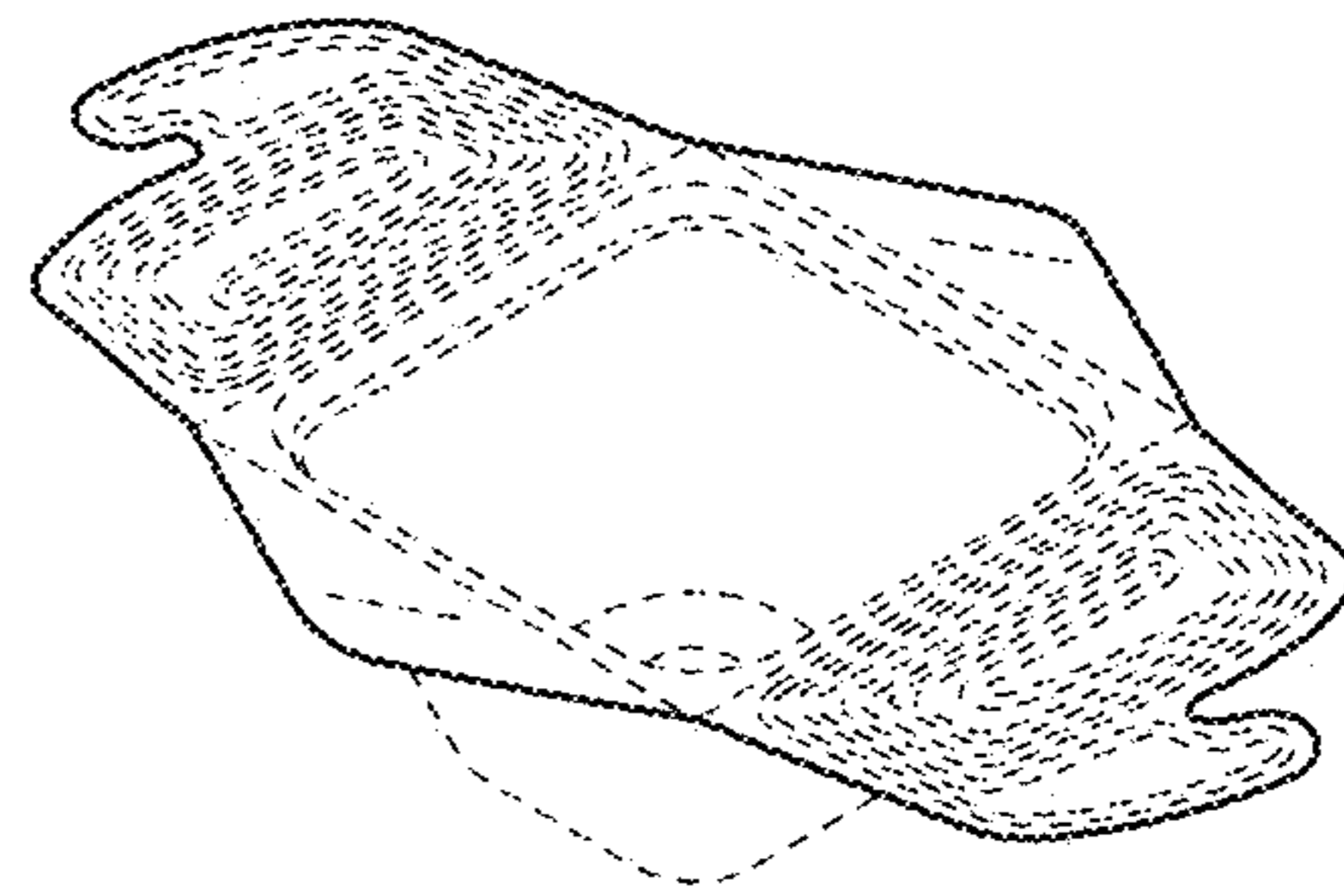


FIG. 6

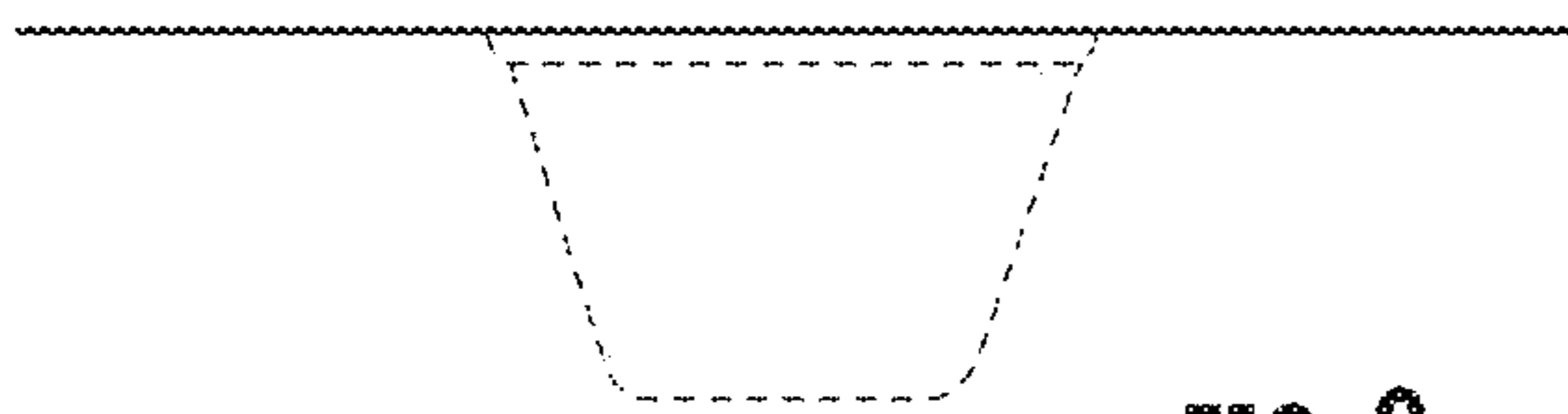


FIG. 9

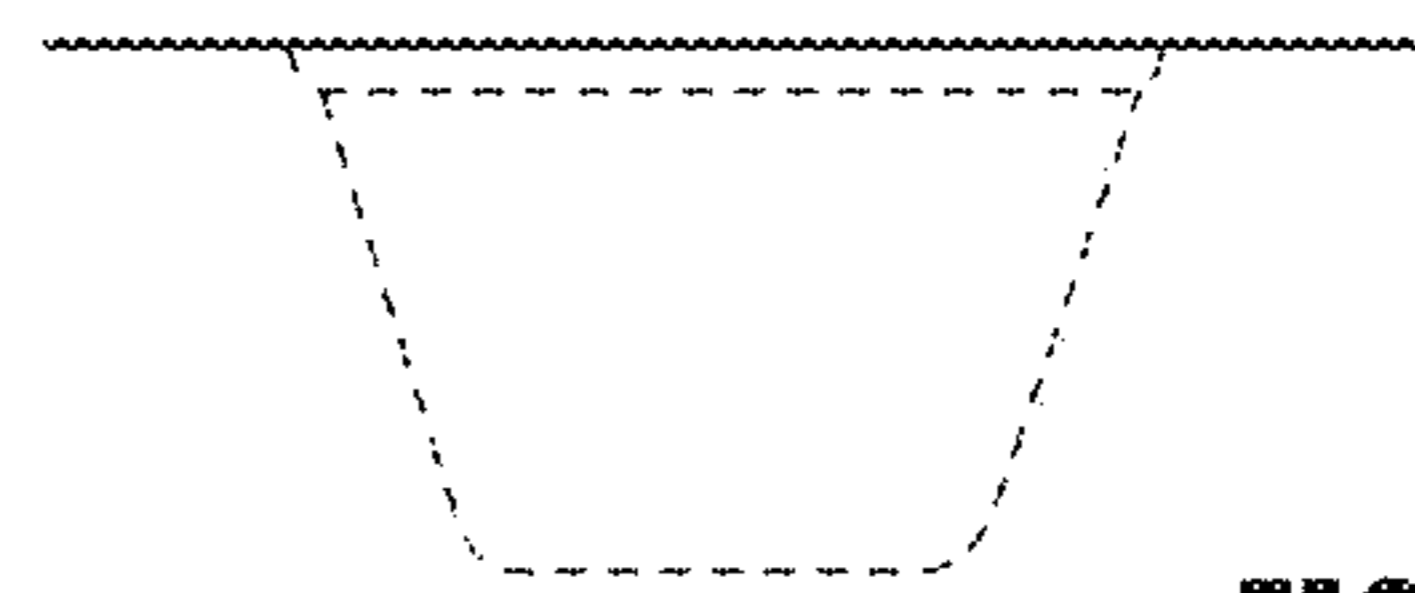


FIG. 8

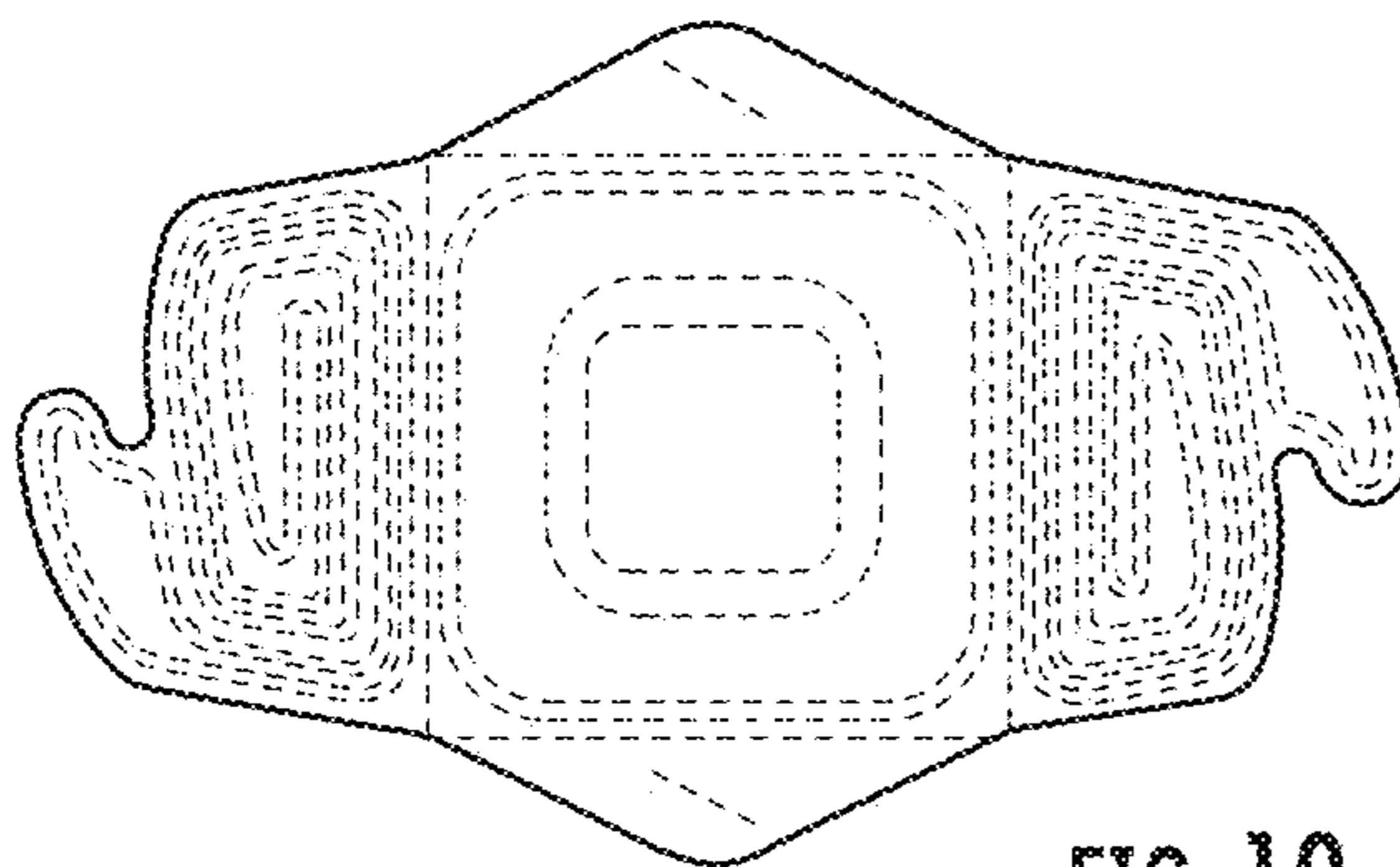


FIG. 10

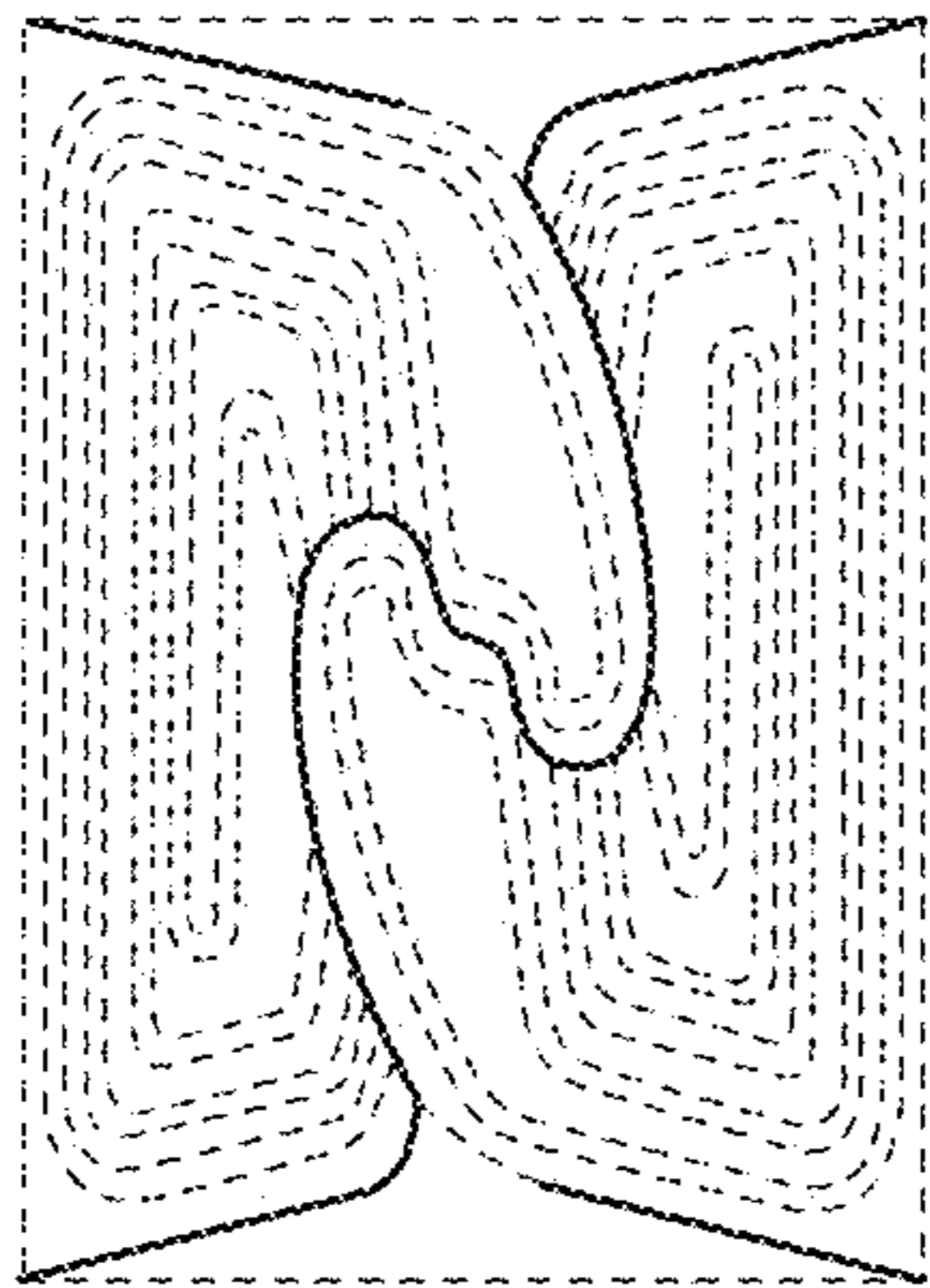


FIG. 12

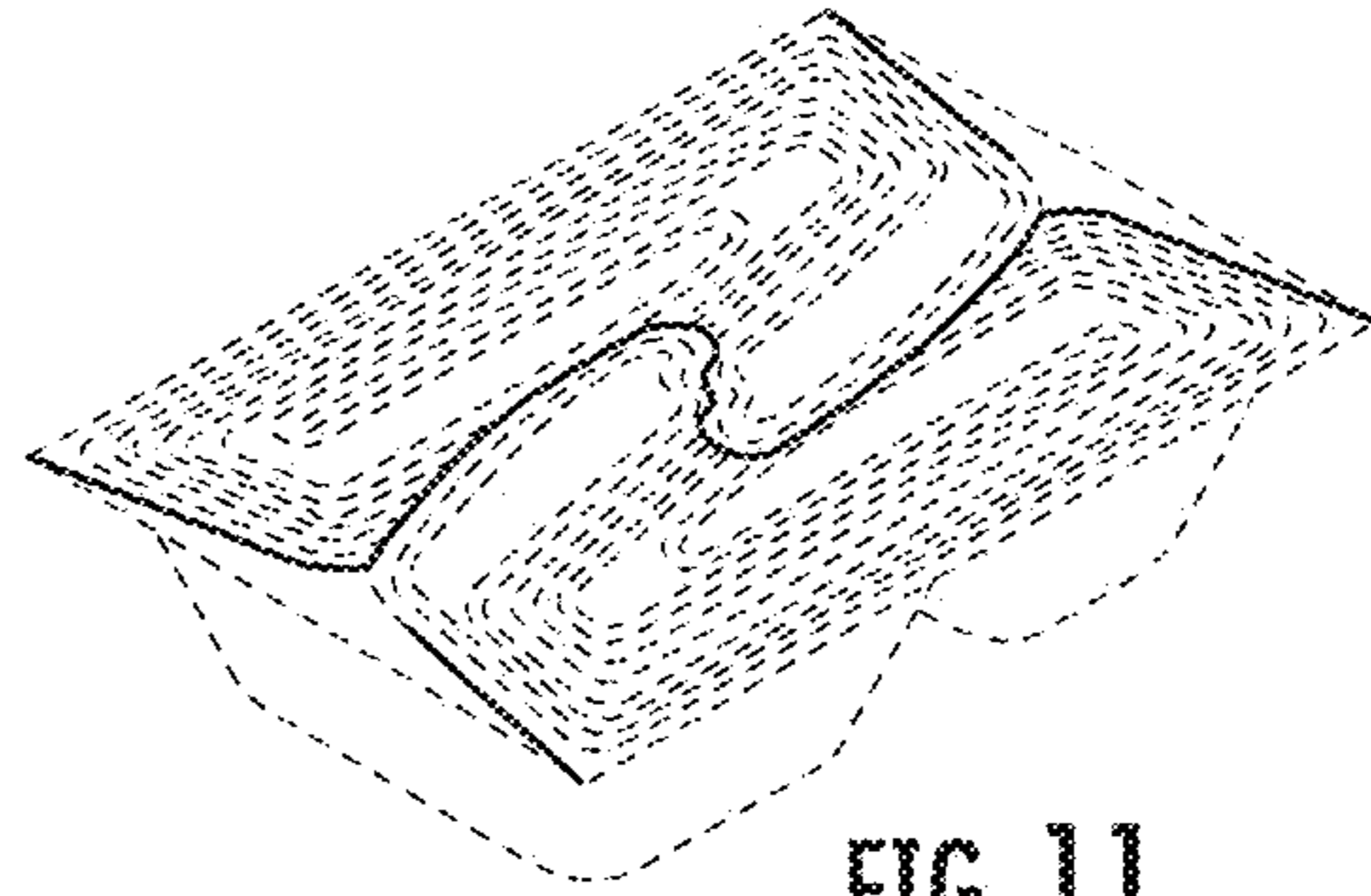


FIG. 11

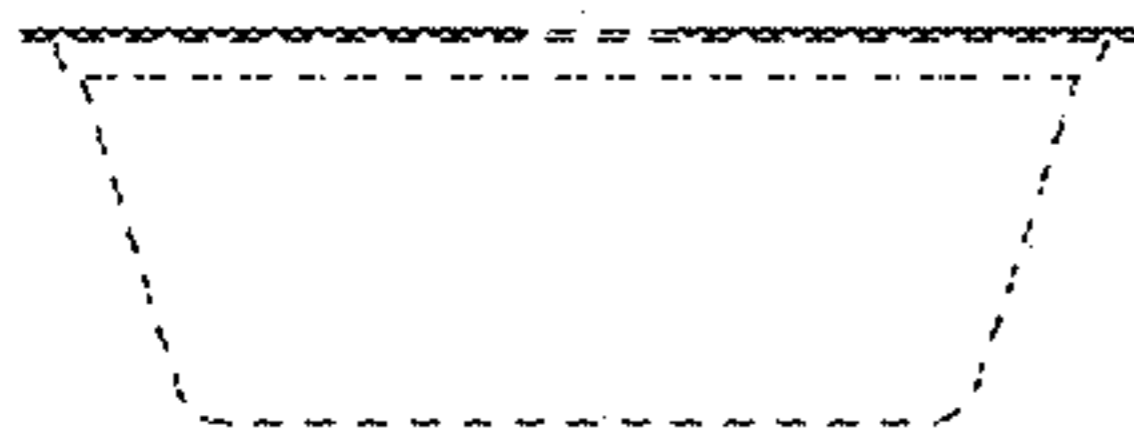


FIG. 14

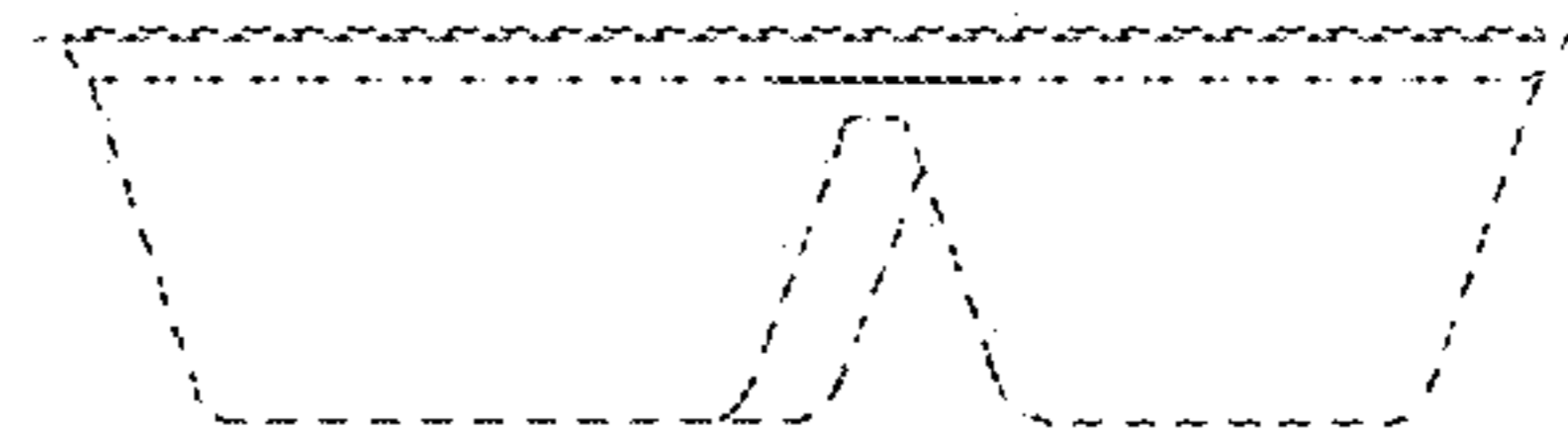


FIG. 13

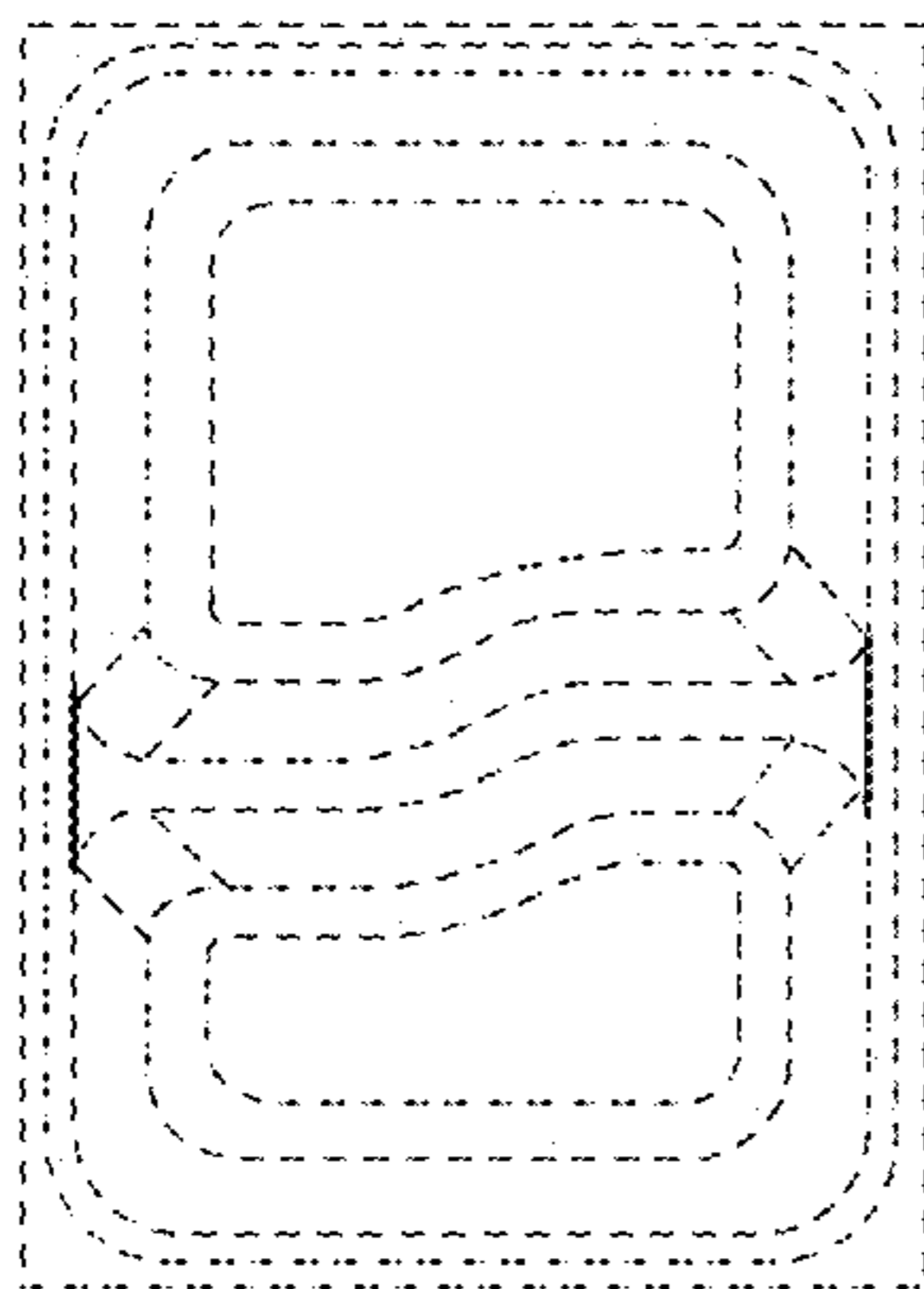


FIG. 15

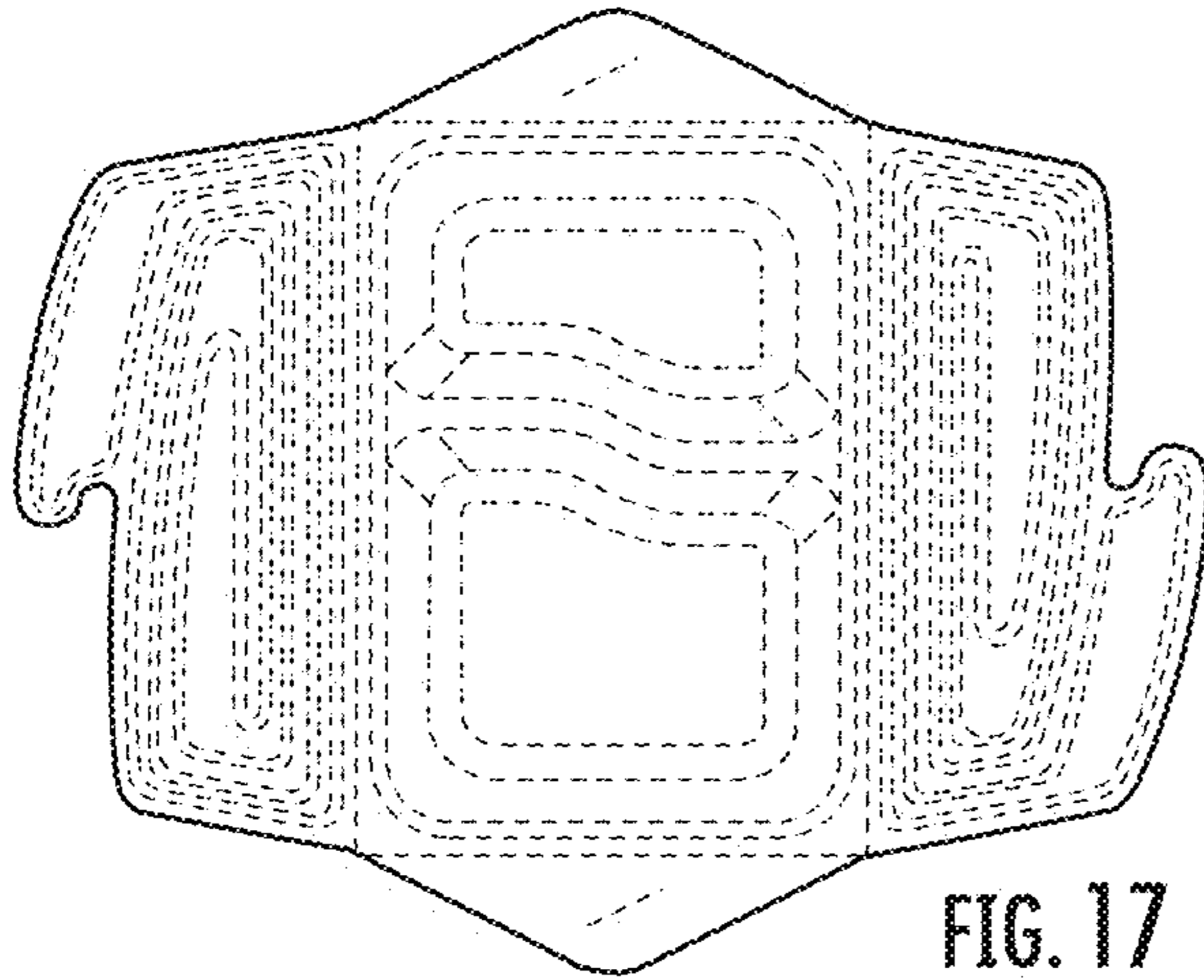


FIG. 17

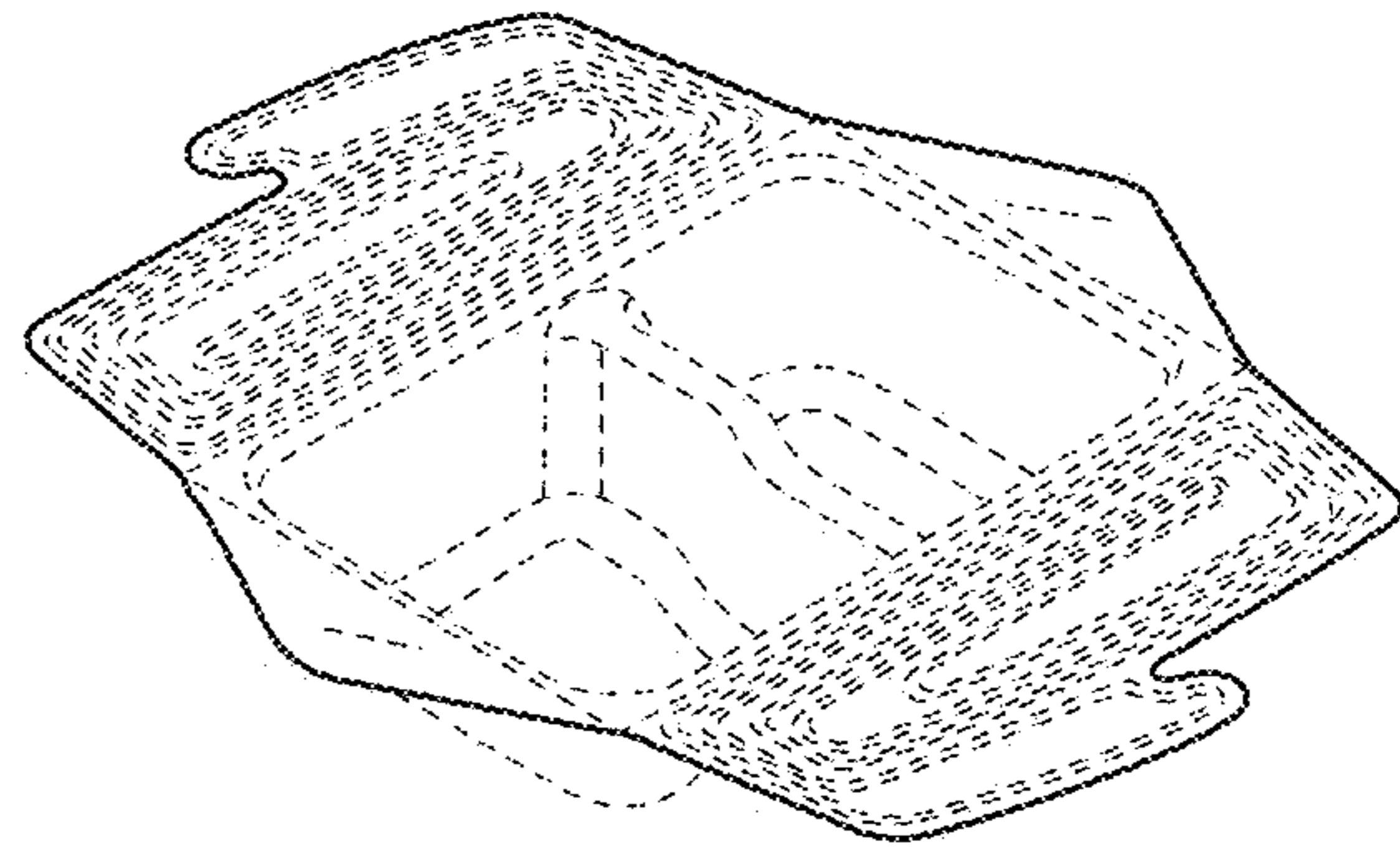


FIG. 16

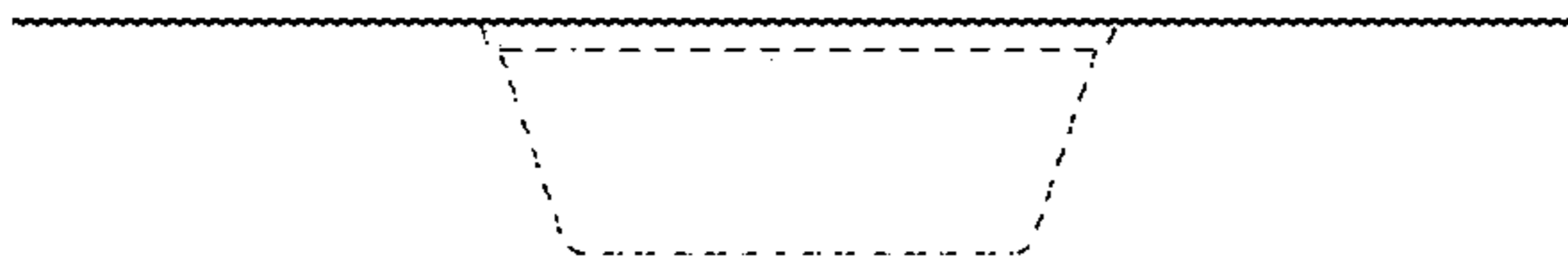


FIG. 19

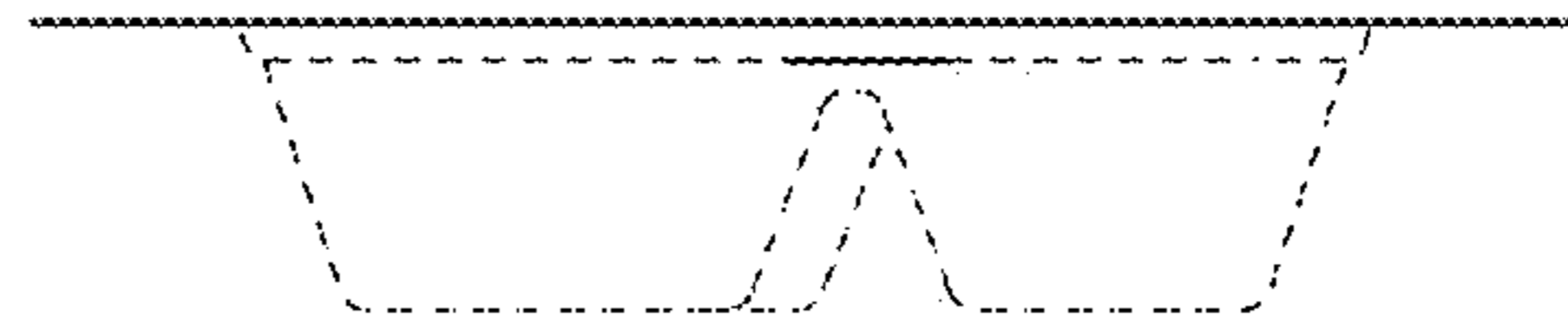


FIG. 18

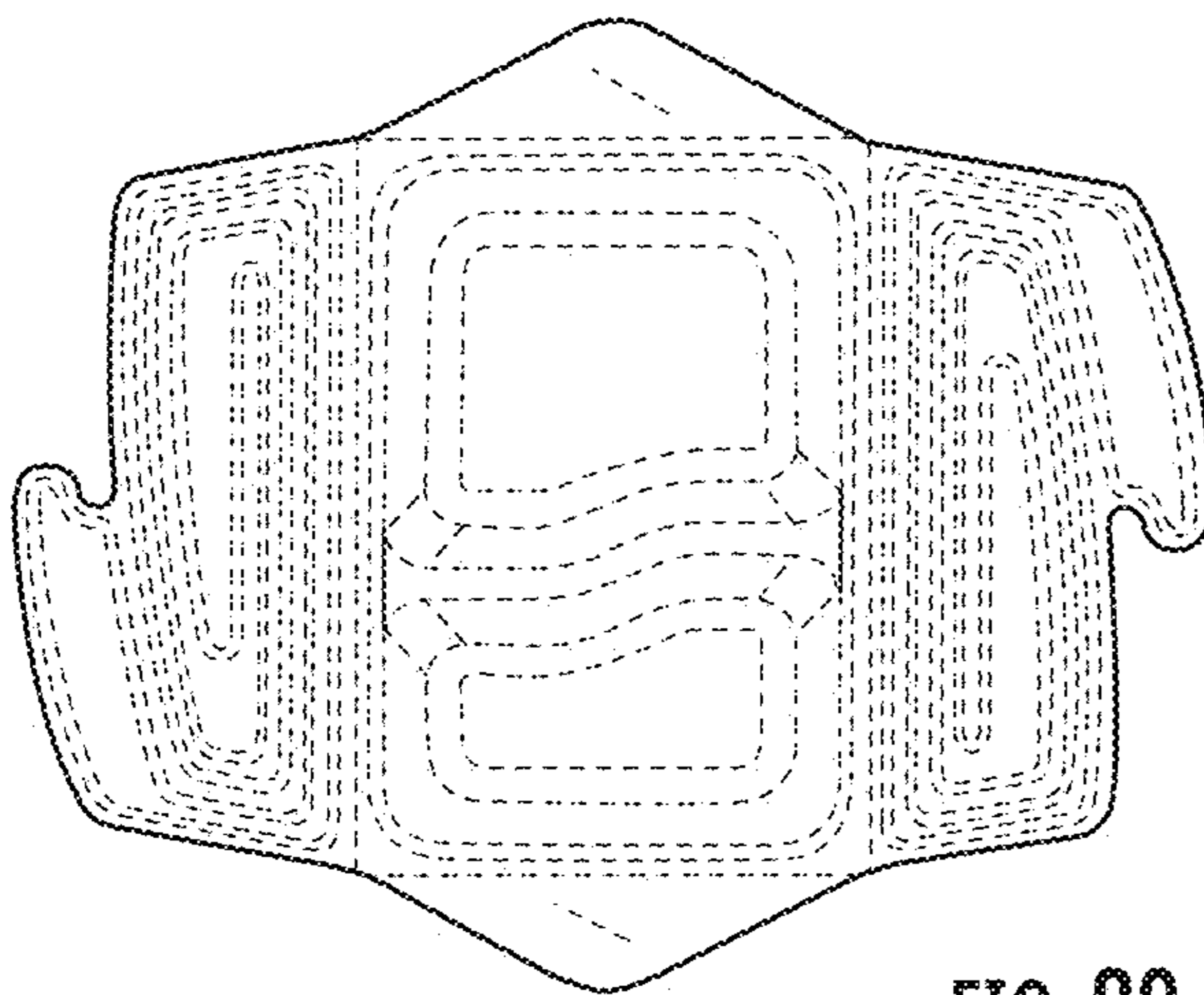


FIG. 20