



US00D935879S

(12) **United States Design Patent** (10) **Patent No.:** **US D935,879 S**
Anderson (45) **Date of Patent:** **** Nov. 16, 2021**

(54) **EYEWEAR PACKAGING**
(71) Applicant: **FGX International Inc.**, Smithfield, RI (US)
(72) Inventor: **William R. Anderson**, Swansea, MA (US)
(73) Assignee: **FGX INTERNATIONAL, INC.**, Smithfield, RI (US)
(**) Term: **15 Years**
(21) Appl. No.: **29/696,640**
(22) Filed: **Jun. 28, 2019**
(51) **LOC (13) Cl.** **09-03**
(52) **U.S. Cl.**
USPC **D9/424; D9/415**
(58) **Field of Classification Search**
USPC D9/415, 424, 418, 732, 737
CPC B65D 75/327; B65D 75/36; B65D 75/366;
B65D 75/367; B65D 75/32; B65D 2575/3245; B65D 75/326; B65D 2575/366; B65D 2585/88; B65D 75/322; B65D 77/2032; B65D 5/4204; B65D 75/22; B65D 77/0413; B65D 5/4208; B65D 77/02; B65D 25/22; B65D 75/5833; B65D 85/00; B65D 2543/00194; B65D 2301/20; B65D 2575/3218; B65D 73/0007; B65D 73/0042
See application file for complete search history.

D342,446 S * 12/1993 Parker D9/415
5,284,259 A 2/1994 Conway et al.
6,142,627 A 11/2000 Winthrop
D453,901 S * 2/2002 Shepperson D9/415
D505,866 S * 6/2005 Raile D9/737
D506,396 S * 6/2005 Raile D9/737
7,055,680 B2 6/2006 Liebers
7,188,739 B1 3/2007 Raile
7,523,909 B1 4/2009 Liebers et al.
7,762,511 B1 7/2010 Liebers et al.
7,938,535 B2 5/2011 Orlinky et al.
8,337,016 B2 12/2012 Liebers et al.
D697,398 S * 1/2014 Guevara-Ludt D9/415
8,833,571 B2 9/2014 Anderson
9,694,933 B2 7/2017 Kocon et al.
D816,484 S * 5/2018 Su D9/424

(Continued)

FOREIGN PATENT DOCUMENTS

WO WO2007122304 11/2007
Primary Examiner — Lauren R Calve
(74) *Attorney, Agent, or Firm* — Malloy & Malloy, P.L.

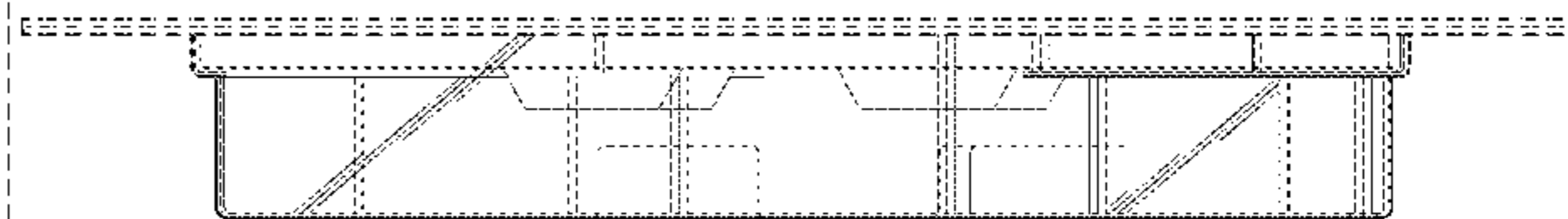
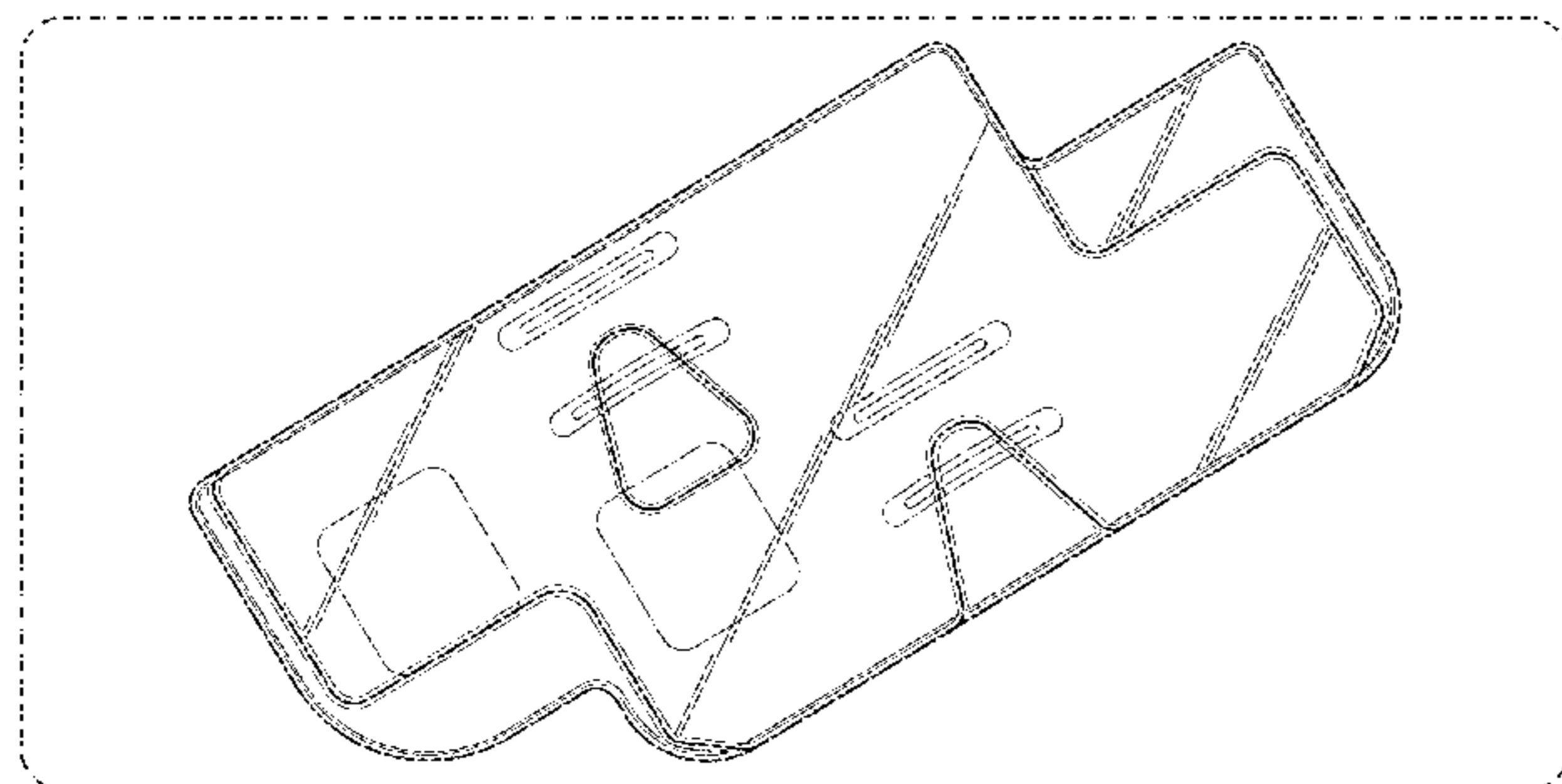
(57) **CLAIM**

The ornamental design for eyewear packaging, as shown and described.

DESCRIPTION

FIG. 1 is a front view illustrating my design for the eyewear packaging;
FIG. 2 is a left view thereof;
FIG. 3 is a top view thereof;
FIG. 4 is a right view thereof;
FIG. 5 is a bottom view thereof; and,
FIG. 6 is a rear view thereof.
The broken lines in the drawings are included for purposes of illustrating portions of the eyewear packaging that form no part of the claimed design. The broken lines depicting perforations in FIG. 6 also form no part of the claimed design.

1 Claim, 6 Drawing Sheets



(56)

References Cited

U.S. PATENT DOCUMENTS

D816,487	S *	5/2018	Su	D9/424
D818,821	S *	5/2018	Su	D9/424
10,479,580	B1 *	11/2019	McCumber	B65D 75/42
D873,131	S *	1/2020	Watanabe	D9/424
D887,283	S *	6/2020	Sennett	D9/748
2002/0189955	A1	12/2002	Waters	
2010/0157242	A1	6/2010	Esser et al.	
2010/0321633	A1	12/2010	De Rossi et al.	
2013/0038833	A1	2/2013	Berthezene et al.	
2013/0319896	A1 *	12/2013	Corbat	B65D 75/322 206/470
2014/0209497	A1 *	7/2014	Jacobus	B65D 75/368 206/468
2015/0146164	A1	5/2015	Contet et al.	
2015/0217920	A1 *	8/2015	Madron	B65D 25/22 53/467
2015/0219924	A1	8/2015	Moine et al.	
2015/0338682	A1	11/2015	Benoit et al.	
2016/0101919	A1 *	4/2016	Zacherle	B65D 75/36 206/461

* cited by examiner

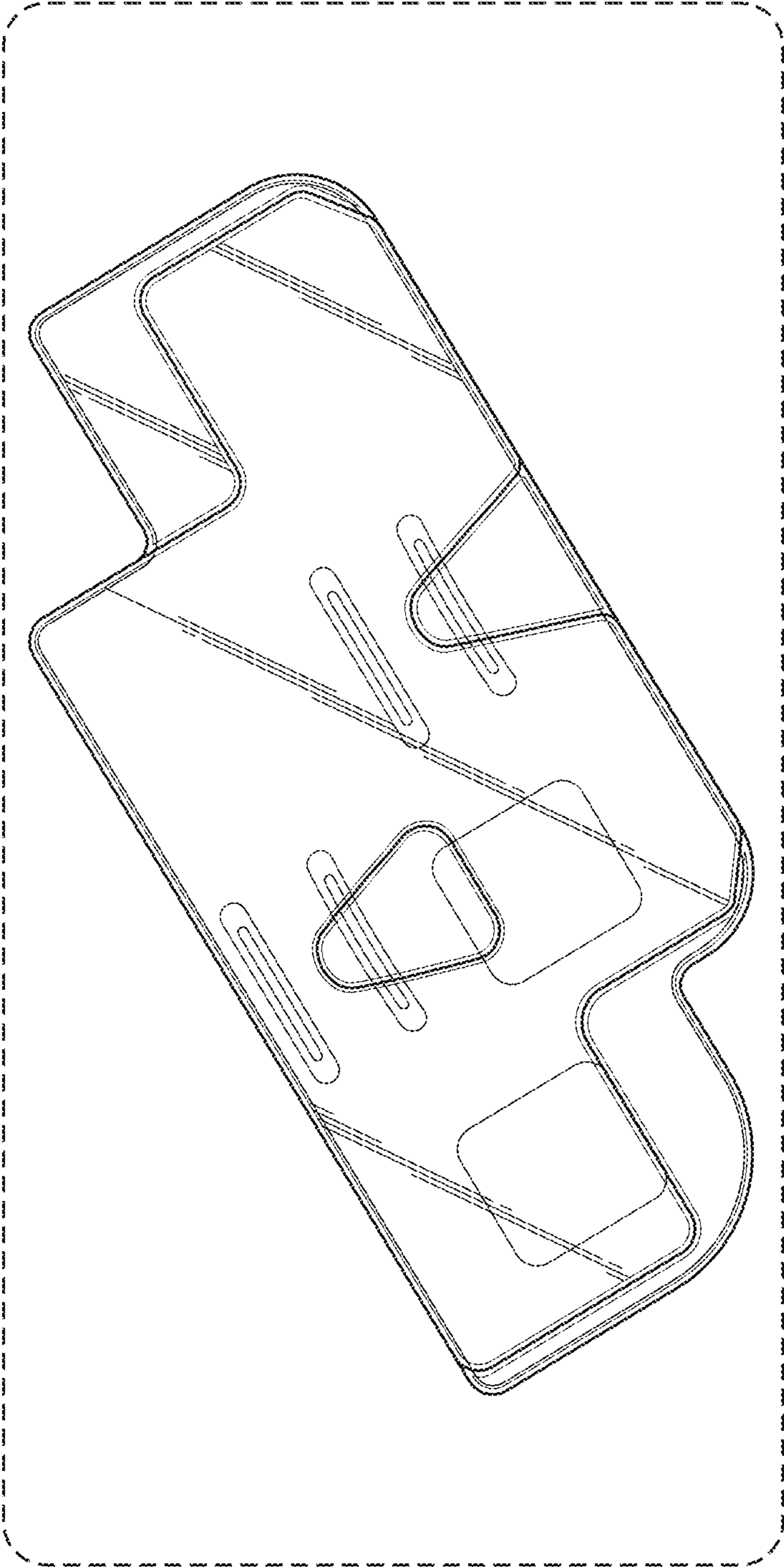


FIG. 1

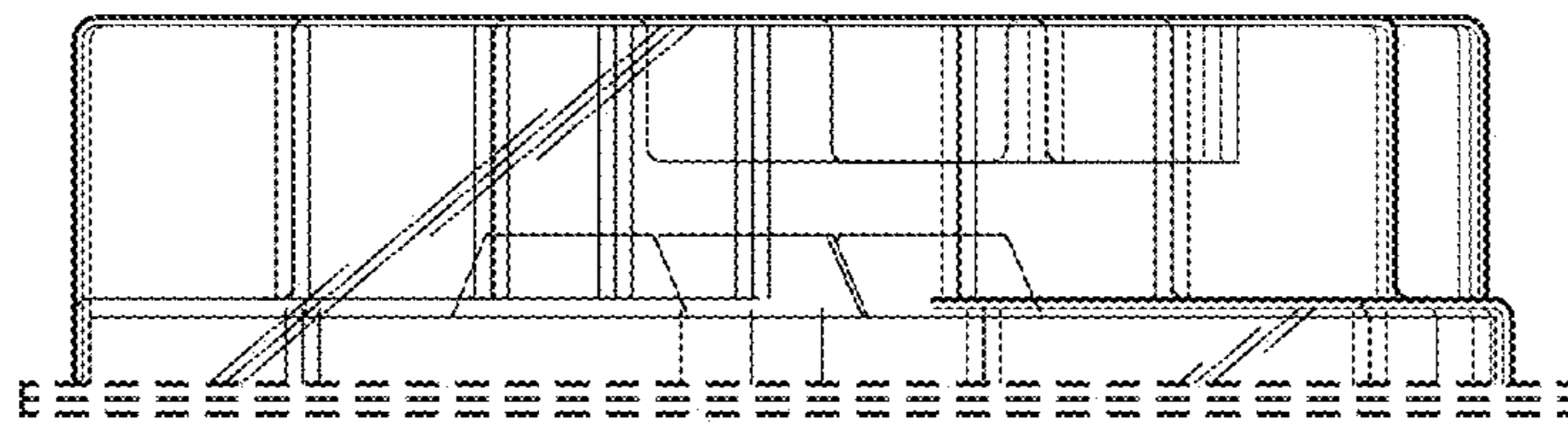


FIG. 2

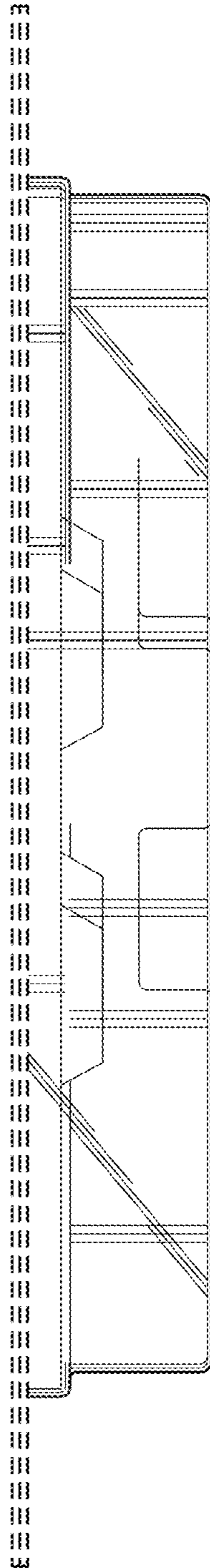


FIG. 3

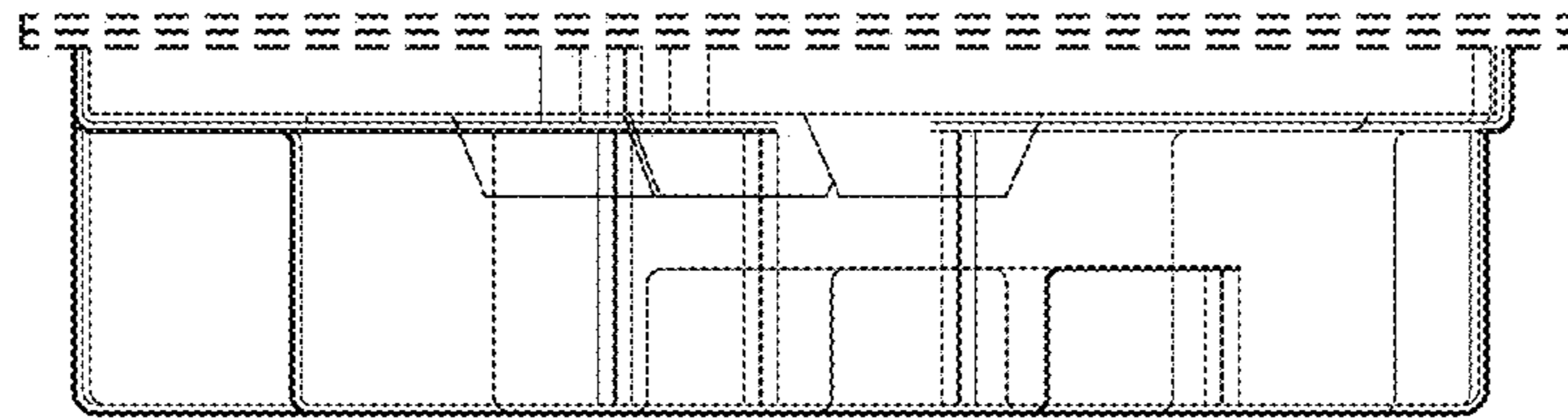


FIG. 4

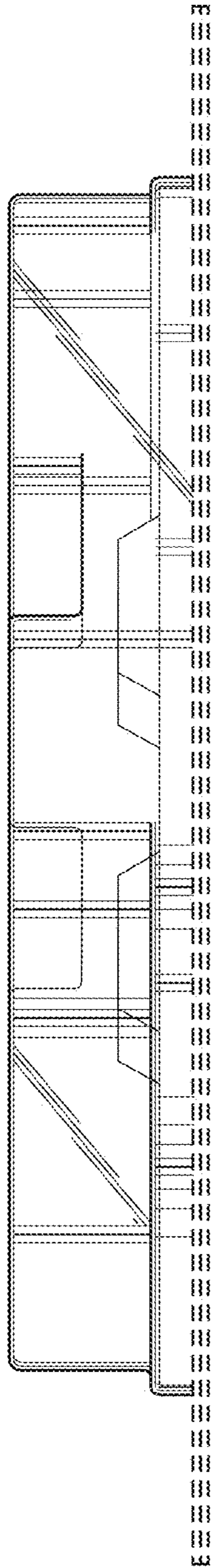


FIG. 5

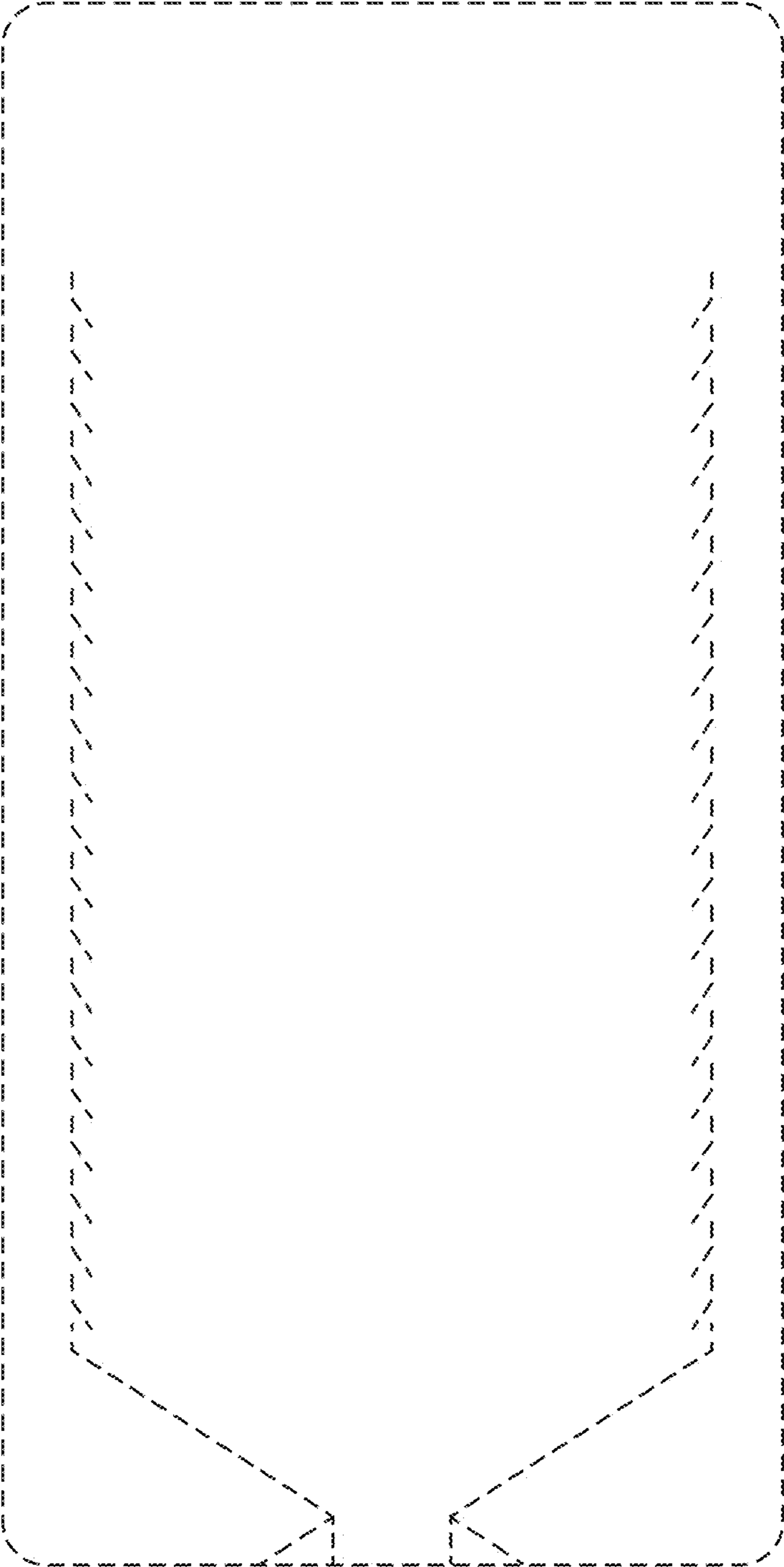


FIG. 6