



US00D935878S

(12) **United States Design Patent** (10) **Patent No.:** **US D935,878 S**
Al-Bayati et al. (45) **Date of Patent:** **** Nov. 16, 2021**

(54) **DOSAGE CONTAINER**

(71) Applicant: **Reckitt Benckiser Finish B.V.**,
Hoofddorp (NL)

(72) Inventors: **Alias Younis Al-Bayati**, Heidelberg
(DE); **Claudia Schmaelzle**, Heidelberg
(DE); **Daniel Godfrey**, Cambridge
(GB); **Scott Virgo**, Cambridge (GB)

(73) Assignee: **RECKITT BENCKISER FINISH
B.V.**, Hoofddorp (NL)

(**) Term: **15 Years**

(21) Appl. No.: **29/707,300**

(22) Filed: **Sep. 27, 2019**

(30) **Foreign Application Priority Data**

Mar. 28, 2019 (EM) 006351656-0002

(51) **LOC (13) Cl.** **09-03**

(52) **U.S. Cl.**
USPC **D9/420**

(58) **Field of Classification Search**
USPC D9/414, 415, 419, 420-424, 430, 431,
D9/678, 730, 731, 733, 782; D3/201,
D3/203.1, 203.2, 203.3, 203.4, 207, 294,
D3/302; D27/139, 140, 141, 142, 143,
D27/144, 165, 173; D28/61, 76, 99;
D24/221, 231; D14/323; D13/108;
D19/26; D23/367
CPC A61J 1/03; A61J 7/04; A61J 7/0076; A61J
7/0436; A61J 7/0454; A61J 1/1412; A47G
19/2216; A24F 47/002; A24F 47/008;
B65D 43/162
See application file for complete search history.

(56) **References Cited**

U.S. PATENT DOCUMENTS

D338,727 S * 8/1993 Rand D13/168
D369,829 S * 5/1996 Tomita D19/26

D406,496 S * 3/1999 Medina D7/629
D436,434 S * 1/2001 Conway D3/203.5
D449,521 S * 10/2001 Pinkus D9/423
D509,732 S * 9/2005 Staples D9/782
D534,067 S * 12/2006 Tanner D9/420
D547,189 S * 7/2007 Legros D9/521
D547,488 S * 7/2007 Franz D27/141

(Continued)

Primary Examiner — Kevin K Rudzinski

Assistant Examiner — Mehri Bajoul

(74) *Attorney, Agent, or Firm* — Troutman Pepper
Hamilton Sanders LLP; Ryan Schneider; Chris N. Davis

(57) **CLAIM**

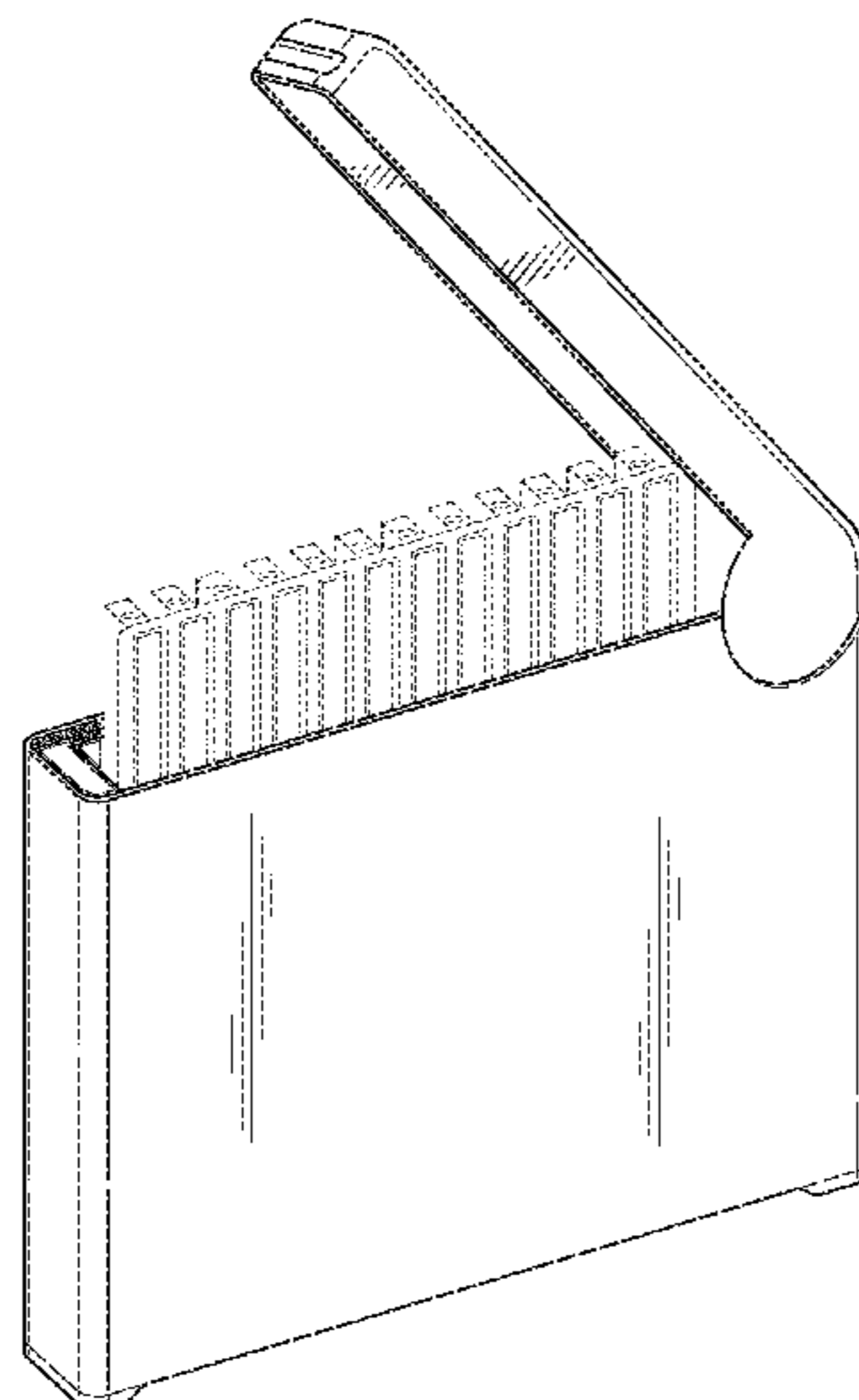
The ornamental design for a dosage container, as shown and described.

DESCRIPTION

FIG. 1 is a perspective view of our new design for a dosage container, shown in an open configuration;
FIG. 2 is a right elevation view thereof, shown in an open configuration;
FIG. 3 is a left side elevation view thereof, shown in an open configuration;
FIG. 4 is a front elevation view thereof, shown in an open configuration;
FIG. 5 is a rear side elevation view thereof, shown in an open configuration;
FIG. 6 is a top plan view thereof, shown in an open configuration; and,
FIG. 7 is a bottom plan view thereof, shown in an open configuration.

The even dash-dash broken lines are included for the purpose of illustrating portions of the dosage container that form no part of the claimed design. The long-short broken lines showing boundary lines, which define the bounds of the claimed design, and the space between the boundary lines form no part of the claimed design.

1 Claim, 5 Drawing Sheets



(56)

References Cited

U.S. PATENT DOCUMENTS

D569,720	S *	5/2008	Lablaine	D9/420
D578,385	S *	10/2008	Ancona	D9/423
D611,806	S *	3/2010	Bried	D9/420
D672,642	S *	12/2012	Supranowicz	D9/420
D676,315	S *	2/2013	Widdison	D9/420
D698,459	S *	1/2014	Chan	D24/224
D716,997	S *	11/2014	Freeland	D27/165
D736,995	S *	8/2015	Recio	D27/141
D748,467	S *	2/2016	Angeloni	D9/420
D761,551	S *	7/2016	Stueckemann	D3/203.1
D762,466	S *	8/2016	Angeloni	D9/420
D846,380	S *	4/2019	Giraud	D9/420
D867,870	S *	11/2019	Abrams	D9/420
D877,408	S *	3/2020	Mead	D27/162
D898,347	S *	10/2020	Lee	D3/203.3
D904,008	S *	12/2020	Al-Bayati	D3/203.2
2011/0240494	A1 *	10/2011	Vecchi	B65D 85/10564 206/273
2013/0248385	A1 *	9/2013	Scatterday	A24F 15/14 206/86

* cited by examiner

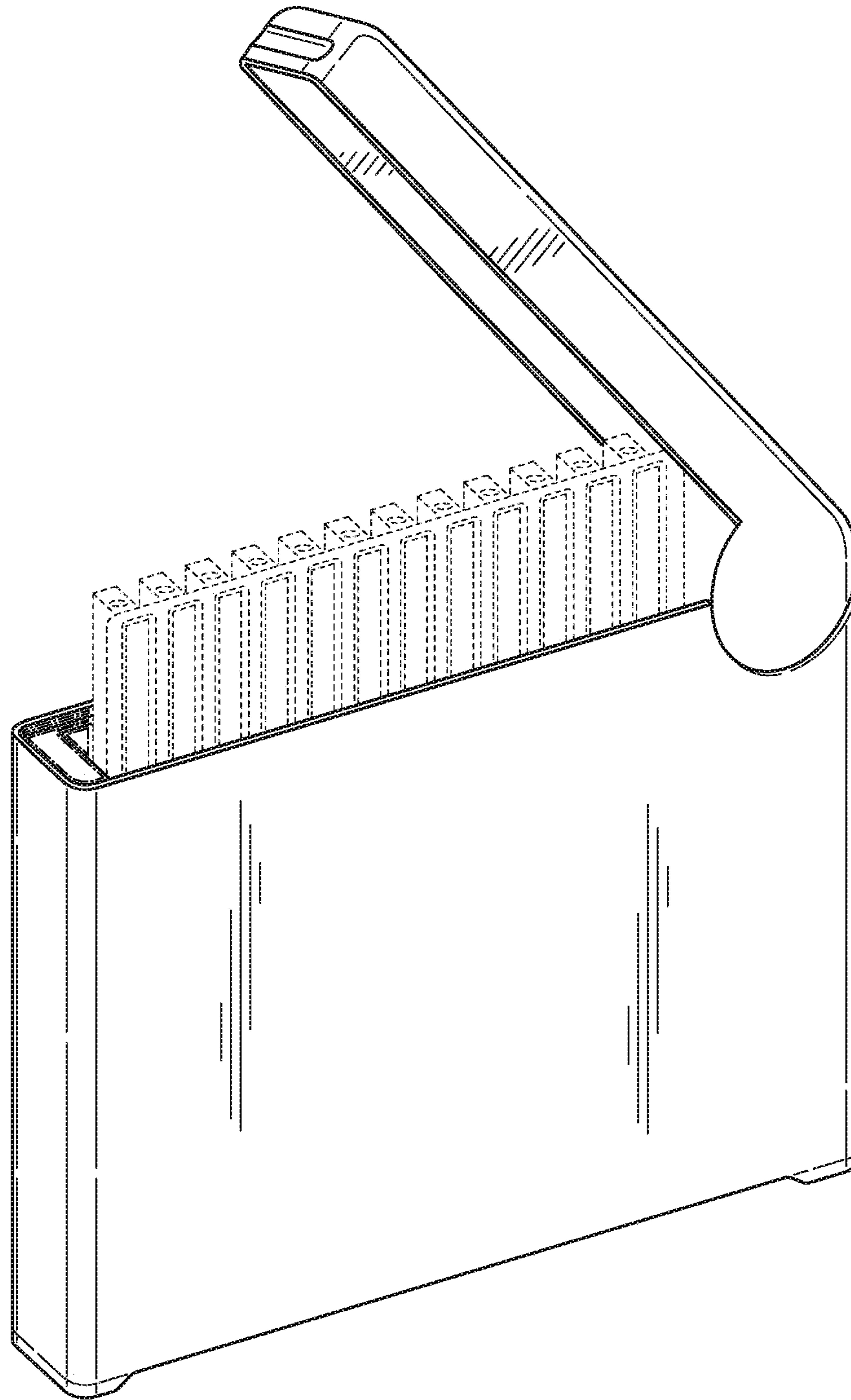


Fig. 1

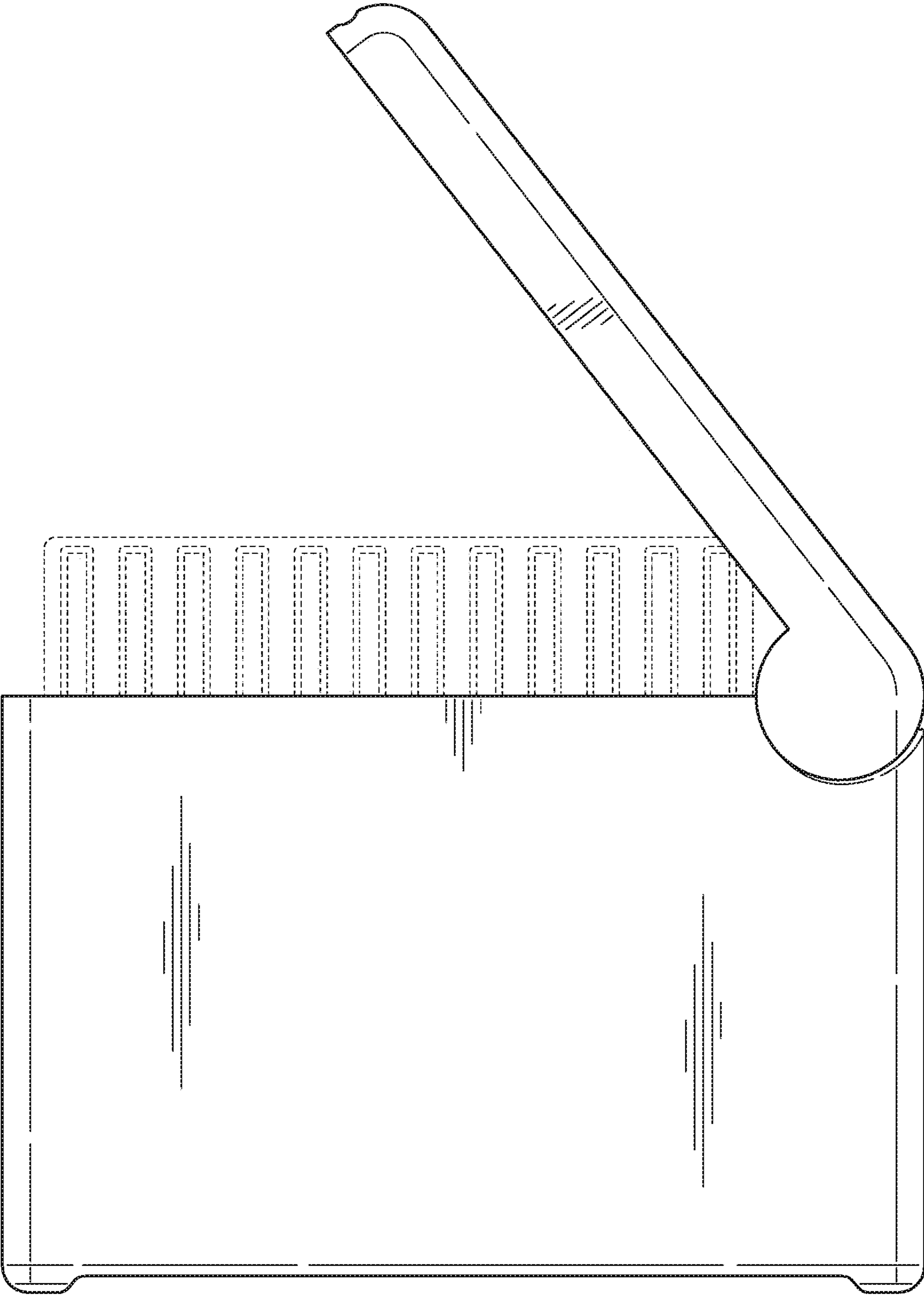


Fig. 2

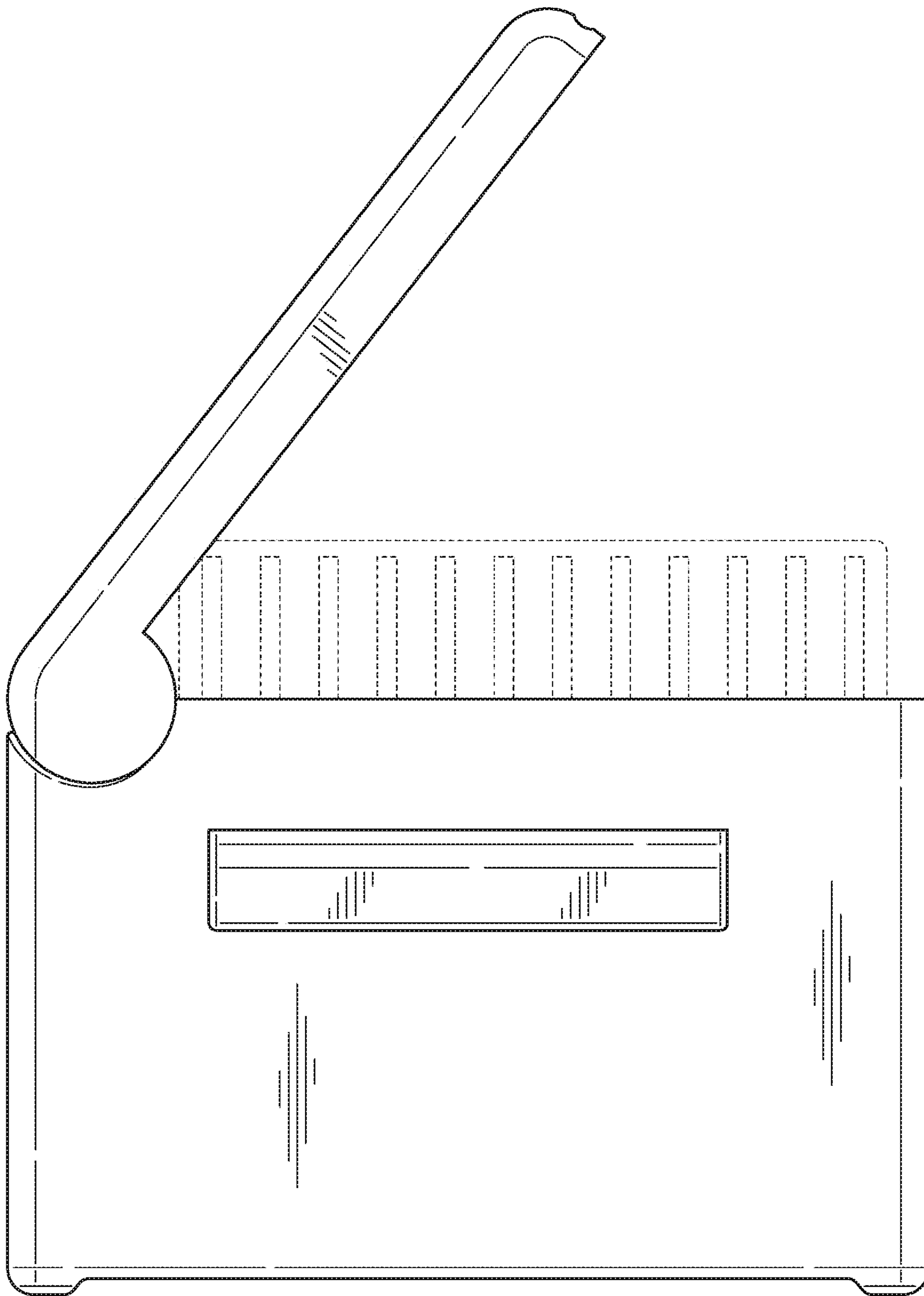


Fig. 3

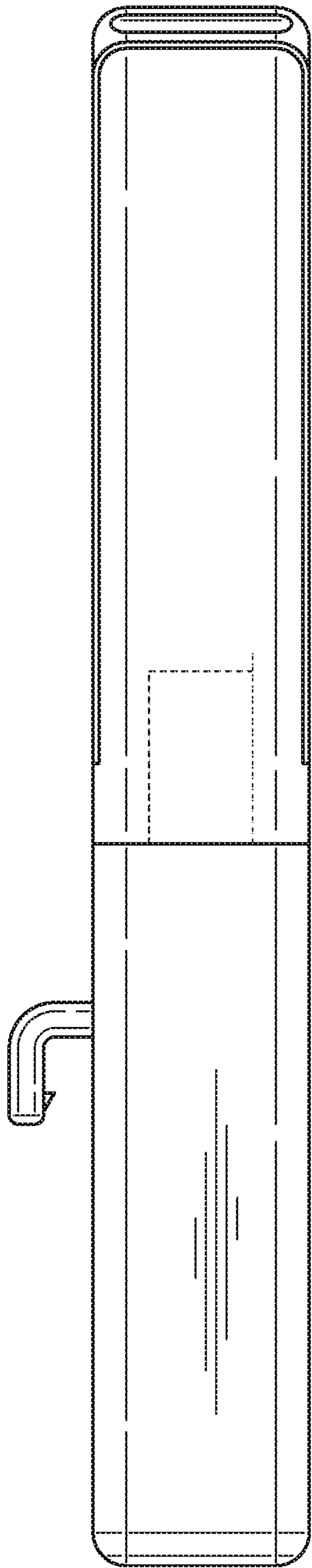


Fig. 4

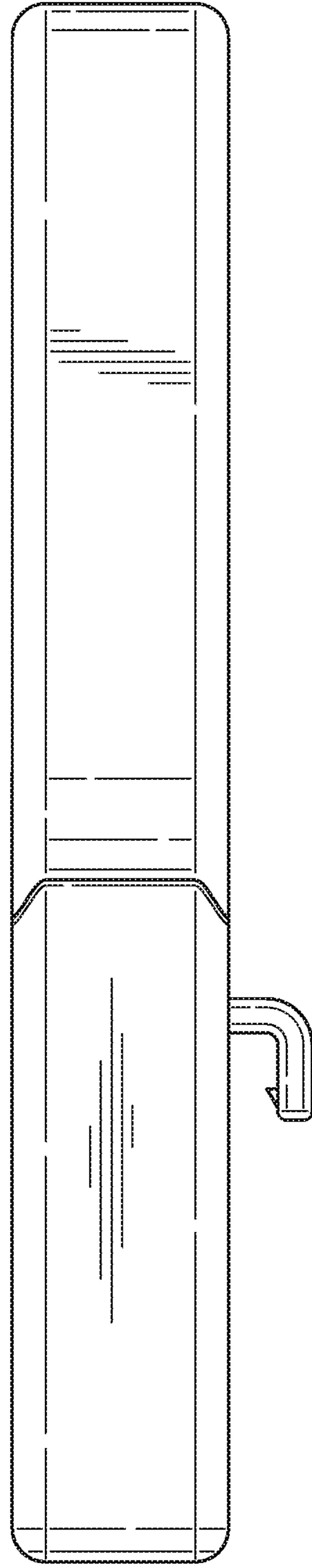


Fig. 5

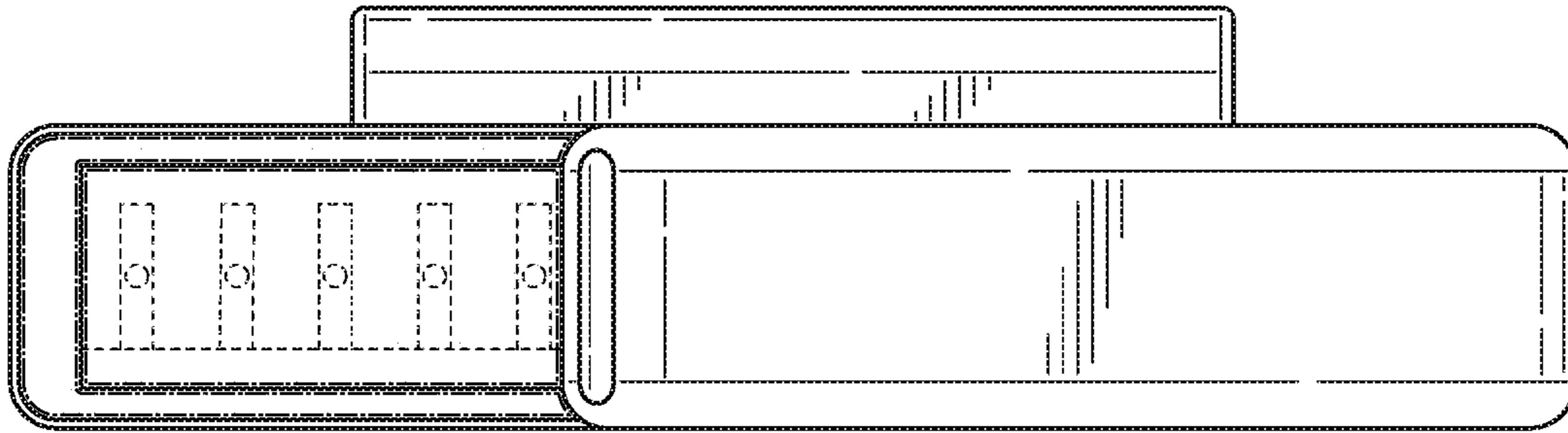


Fig. 6

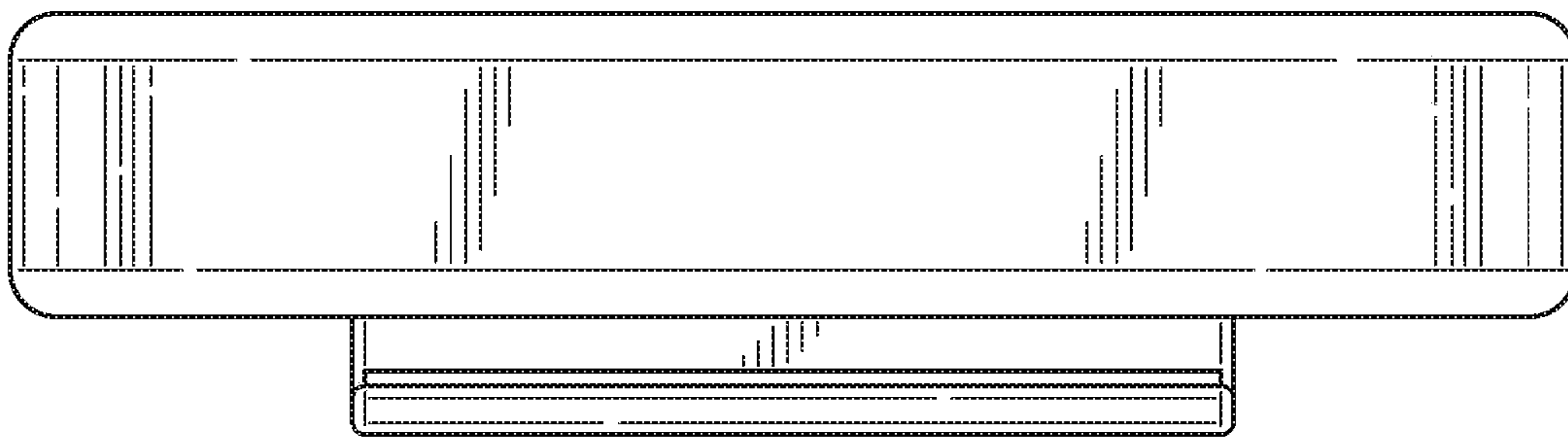


Fig. 7