



US00D935877S

(12) **United States Design Patent**
Cobzaru

(10) **Patent No.:** **US D935,877 S**

(45) **Date of Patent:** **** Nov. 16, 2021**

(54) **BLIND FASTENER NUT**
(71) Applicant: **SPS TECHNOLOGIES, LLC**,
Jenkintown, PA (US)
(72) Inventor: **Cristinel Cobzaru**, Murrieta, CA (US)
(73) Assignee: **SPS TECHNOLOGIES, LLC**,
Jenkintown, PA (US)

D504,313 S * 4/2005 Stoewer D8/387
8,777,533 B2 * 7/2014 Hufnagl F16B 19/1036
411/55
8,888,425 B2 * 11/2014 Pratt F16B 19/1045
411/34
D787,924 S * 5/2017 Baiz D8/387
9,765,807 B1 * 9/2017 Watts B60B 3/16
D803,038 S * 11/2017 Baker D8/387

(Continued)

(**) Term: **15 Years**

(21) Appl. No.: **29/703,482**

(22) Filed: **Aug. 27, 2019**

(51) **LOC (13) Cl.** **08-08**

(52) **U.S. Cl.**
USPC **D8/397**; D8/387

(58) **Field of Classification Search**
USPC D8/385, 387, 388, 391, 397
CPC F16B 5/0258; F16B 19/1036; F16B
19/1072; F16B 19/1054; F16B 19/004;
F16B 2019/006; F16B 2019/1009; F16B
2019/1018; F16B 23/0007; F16B
23/0015; F16B 23/0023; F16B 23/003;
F16B 23/0038; F16B 23/0046; F16B
23/00; F16B 23/0092; F16B 23/0084;
F16B 25/0036; F16B 25/0042; F16B
25/0015; F16B 25/0021; F16B 25/0026;
F16B 25/0031; F16B 25/0047; F16B
25/001; F16B 27/00; F16B 29/00; F16B
33/00; F16B 33/02; F16B 35/048; F16B
35/041

See application file for complete search history.

(56) **References Cited**

U.S. PATENT DOCUMENTS

2,971,425 A * 2/1961 Blakeley B25B 31/005
411/28
4,884,933 A * 12/1989 Preusker F16B 37/04
411/177
5,092,723 A * 3/1992 Compton B21J 15/12
411/120
D372,857 S * 8/1996 Hirai D8/387

FOREIGN PATENT DOCUMENTS

EP 1635994 3/2006
JP H0544343 6/1993
WO 2018224793 12/2018

OTHER PUBLICATIONS

International Search Report for International Application PCT/
US2020/047946, dated Oct. 23, 2020.

Primary Examiner — Holly E Thurman

Assistant Examiner — Ieisha N Price

(74) *Attorney, Agent, or Firm* — Burriss Law, PLLC

(57) **CLAIM**

The ornamental design for a blind fastener nut, as shown and
described.

DESCRIPTION

FIG. 1 is a left-top-front perspective view of the blind
fastener nut;

FIG. 2 is a right-bottom-rear perspective view thereof;

FIG. 3 is a front view thereof;

FIG. 4 is a left side view thereof;

FIG. 5 is a top view thereof;

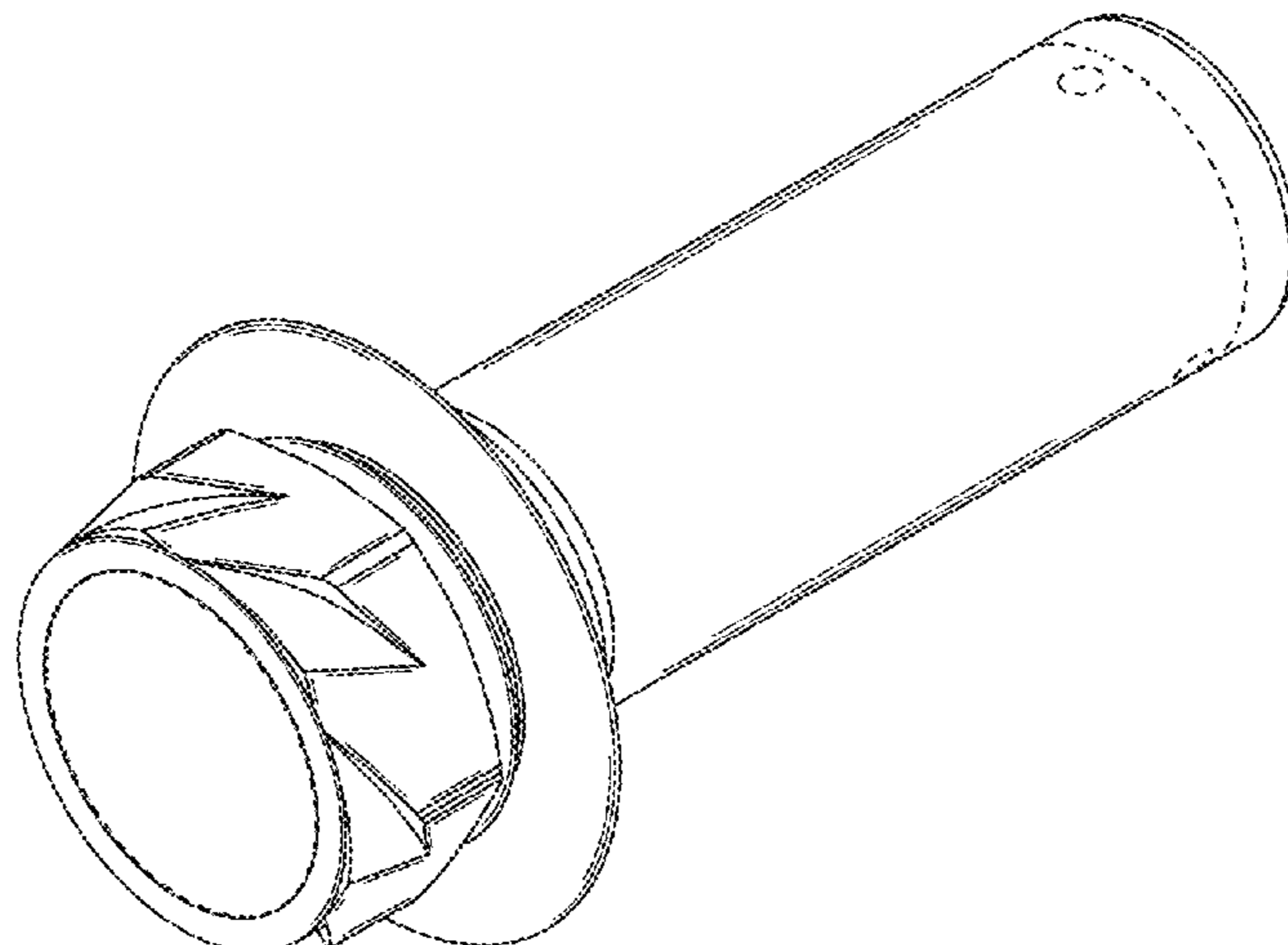
FIG. 6 is a right side view thereof;

FIG. 7 is a rear view thereof; and,

FIG. 8 is a bottom view thereof.

The broken lines in the drawings illustrate portions of the
blind fastener nut and form no part of the claimed design.

1 Claim, 4 Drawing Sheets



(56)

References Cited

U.S. PATENT DOCUMENTS

10,457,414 B2 * 10/2019 Liebscher F16B 5/0642
D878,194 S * 3/2020 Lee D8/397
2002/0014137 A1 * 2/2002 Lonnqvist F16B 41/005
81/460
2005/0081578 A1 * 4/2005 Yoon F16B 35/048
68/131
2007/0243035 A1 * 10/2007 Pratt F16B 31/021
411/15
2008/0075555 A1 * 3/2008 March F16B 35/048
411/361
2011/0070051 A1 * 3/2011 Chang F16B 23/0092
411/405
2013/0149071 A1 * 6/2013 Davis F16B 1/0071
411/402
2014/0033494 A1 * 2/2014 O'Sullivan F16B 23/00
29/426.2
2014/0044498 A1 * 2/2014 Hufnagl F16B 19/1072
411/43
2014/0112734 A1 * 4/2014 Ambros F16B 25/0042
411/387.1
2016/0215804 A1 * 7/2016 Hufnagl F16B 13/061
2017/0343030 A1 * 11/2017 Freyermuth F16B 35/048
2017/0363129 A1 * 12/2017 Bada B25B 13/065
2019/0093697 A1 * 3/2019 Becker F16B 39/26
2019/0160520 A1 5/2019 Cobzaru
2019/0162217 A1 5/2019 Vovan
2019/0242426 A1 * 8/2019 Moore F16B 4/004
2020/0200206 A1 * 6/2020 Coetzer F16B 23/003

* cited by examiner

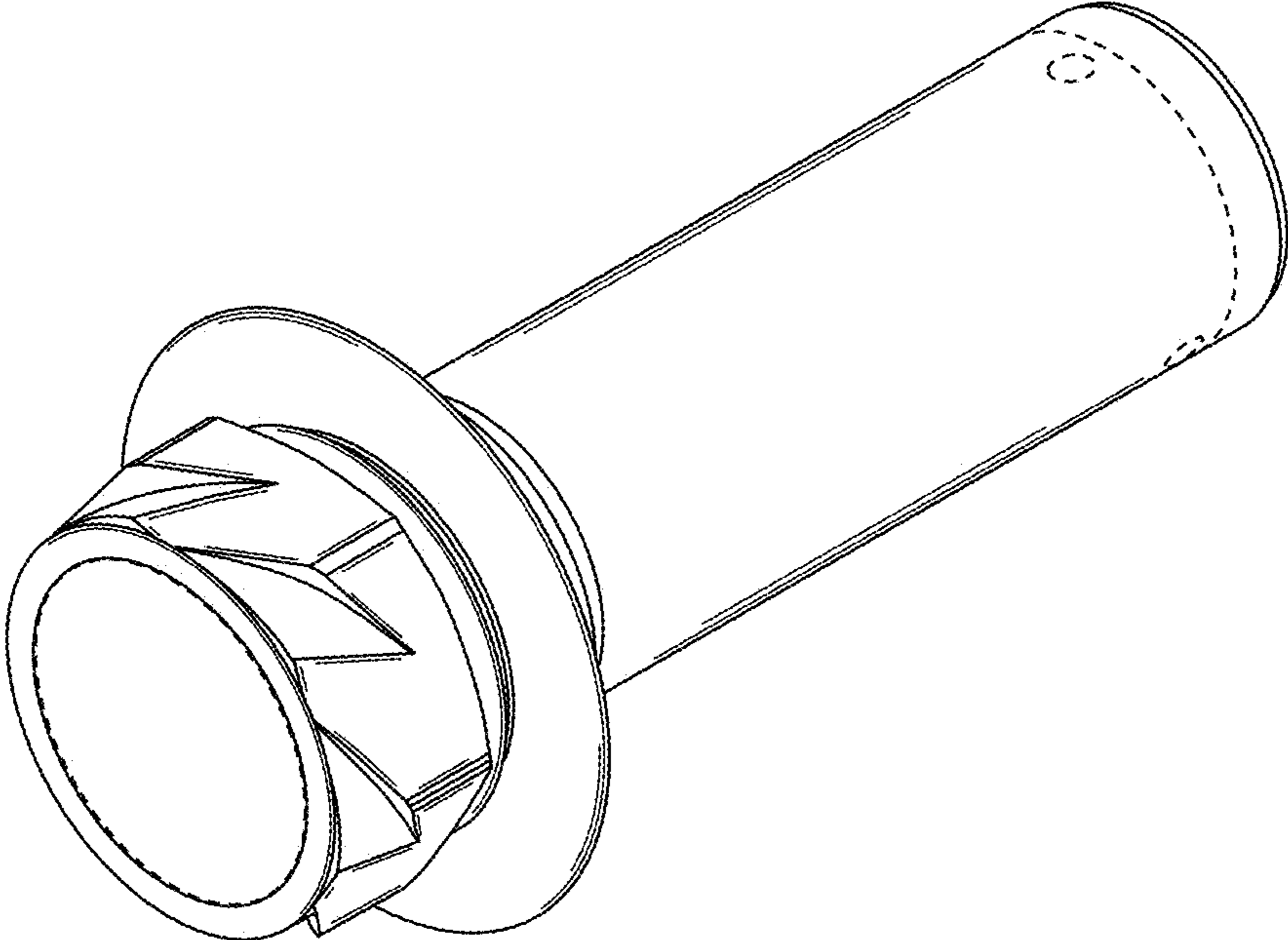


FIG. 1

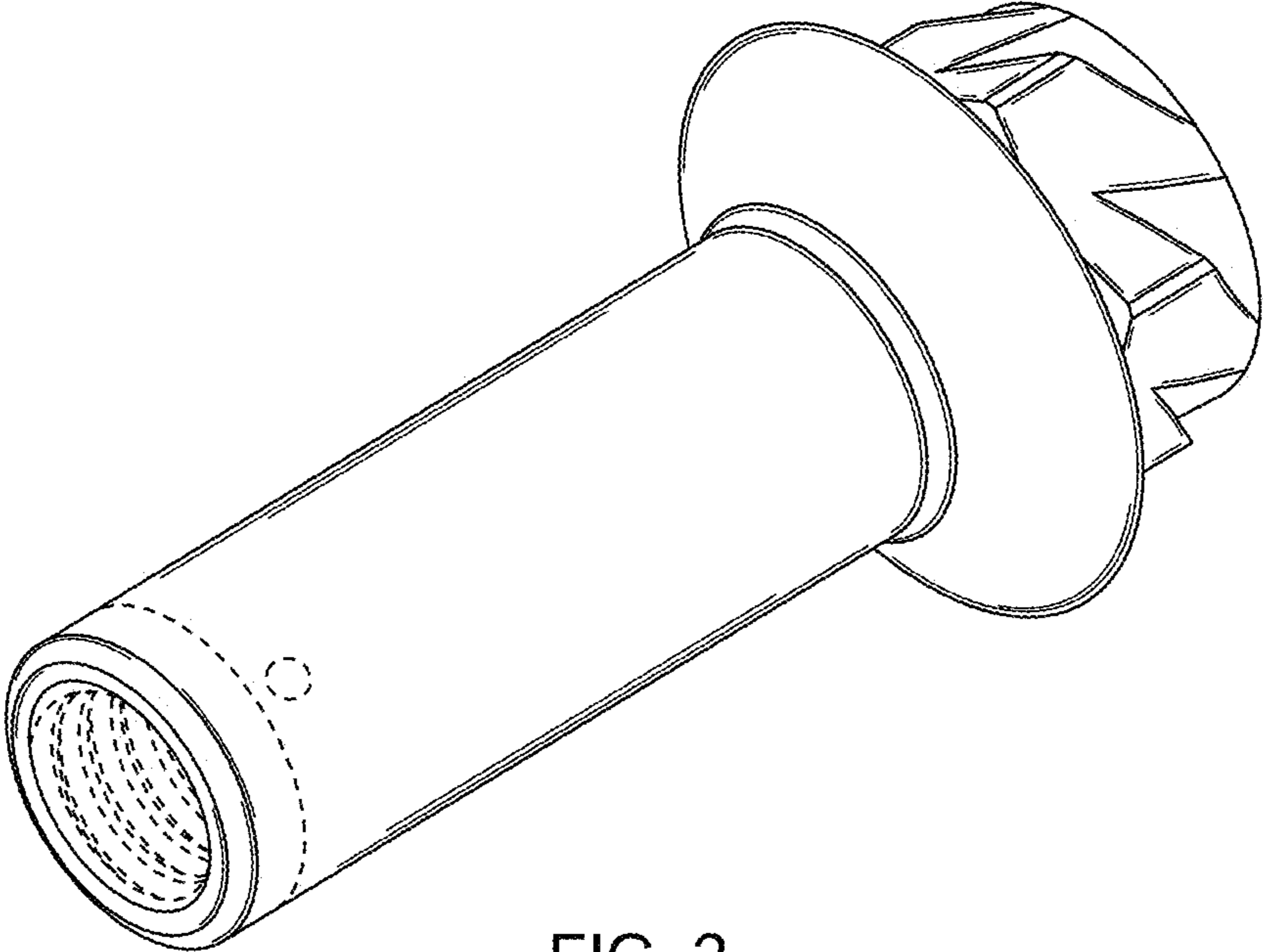


FIG. 2

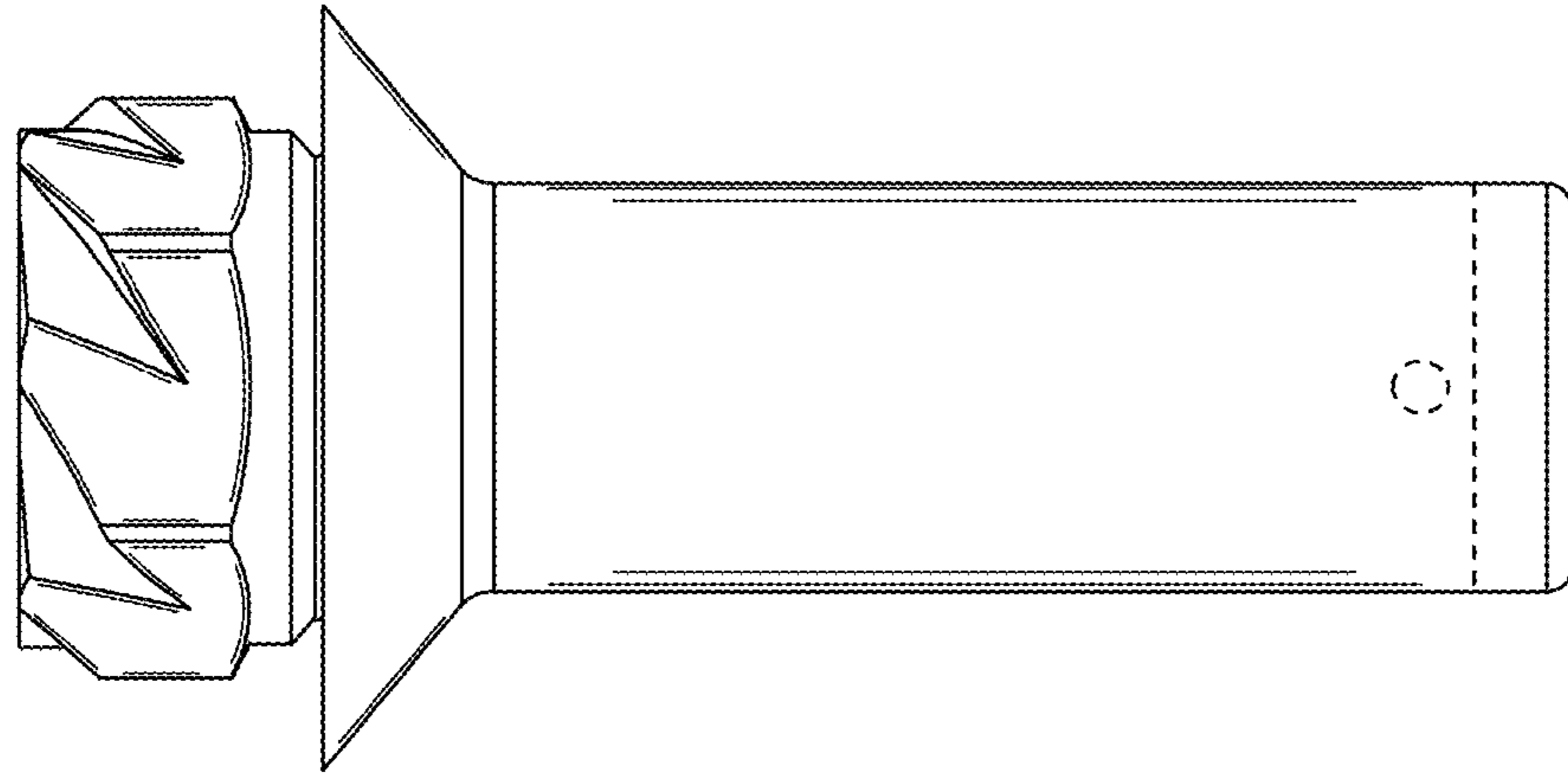


FIG. 3

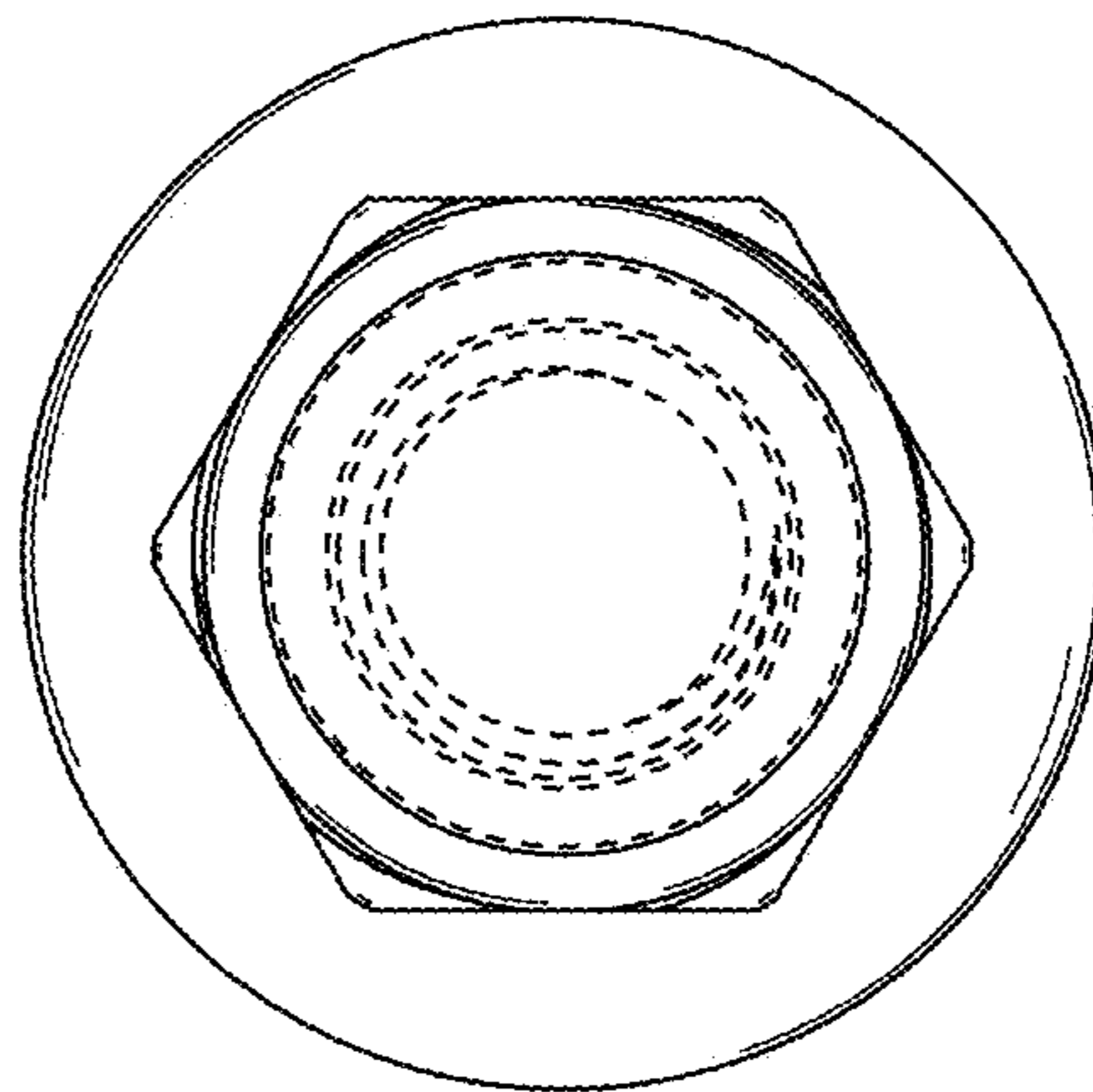


FIG. 4

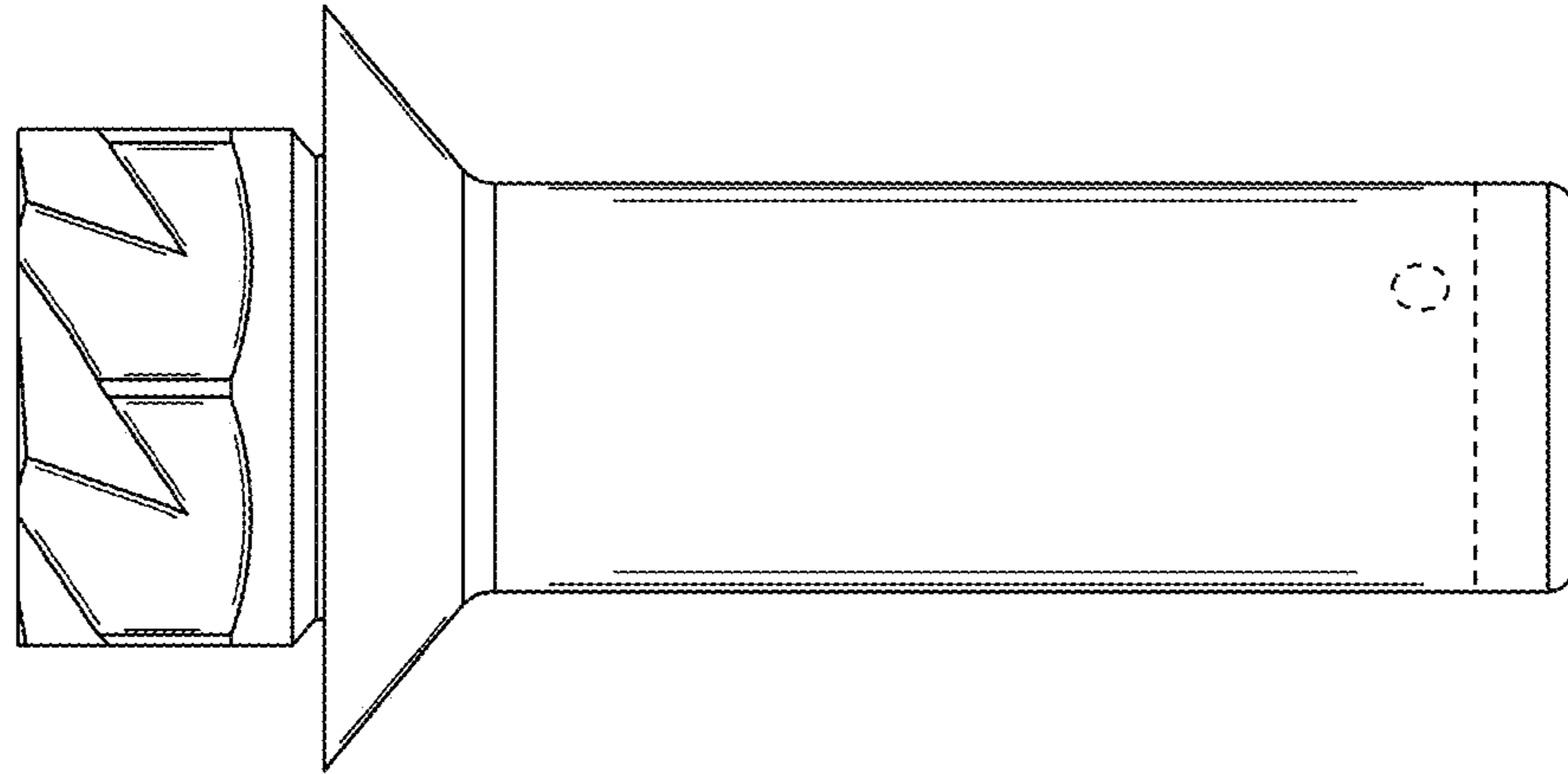


FIG. 5

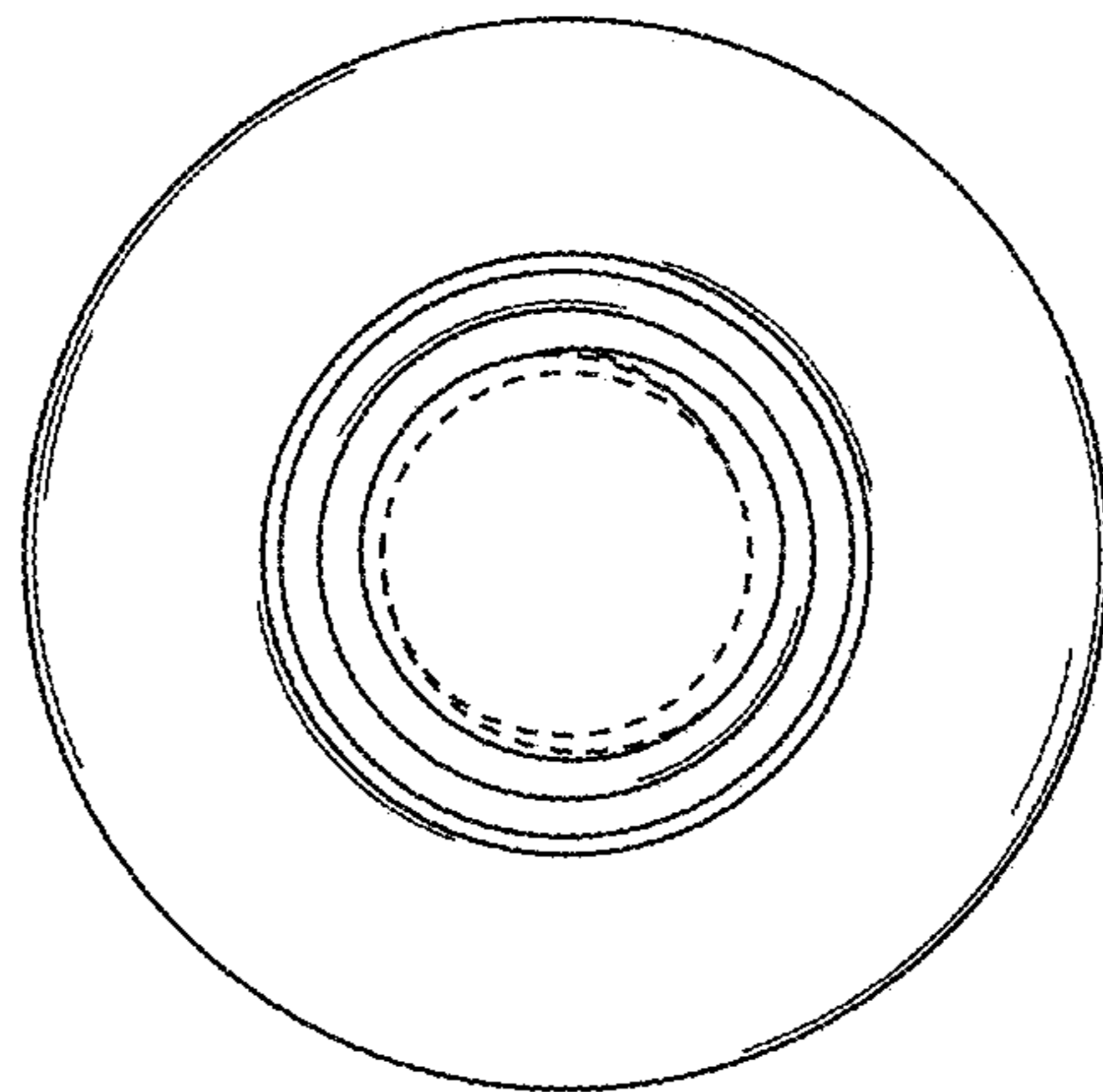


FIG. 6

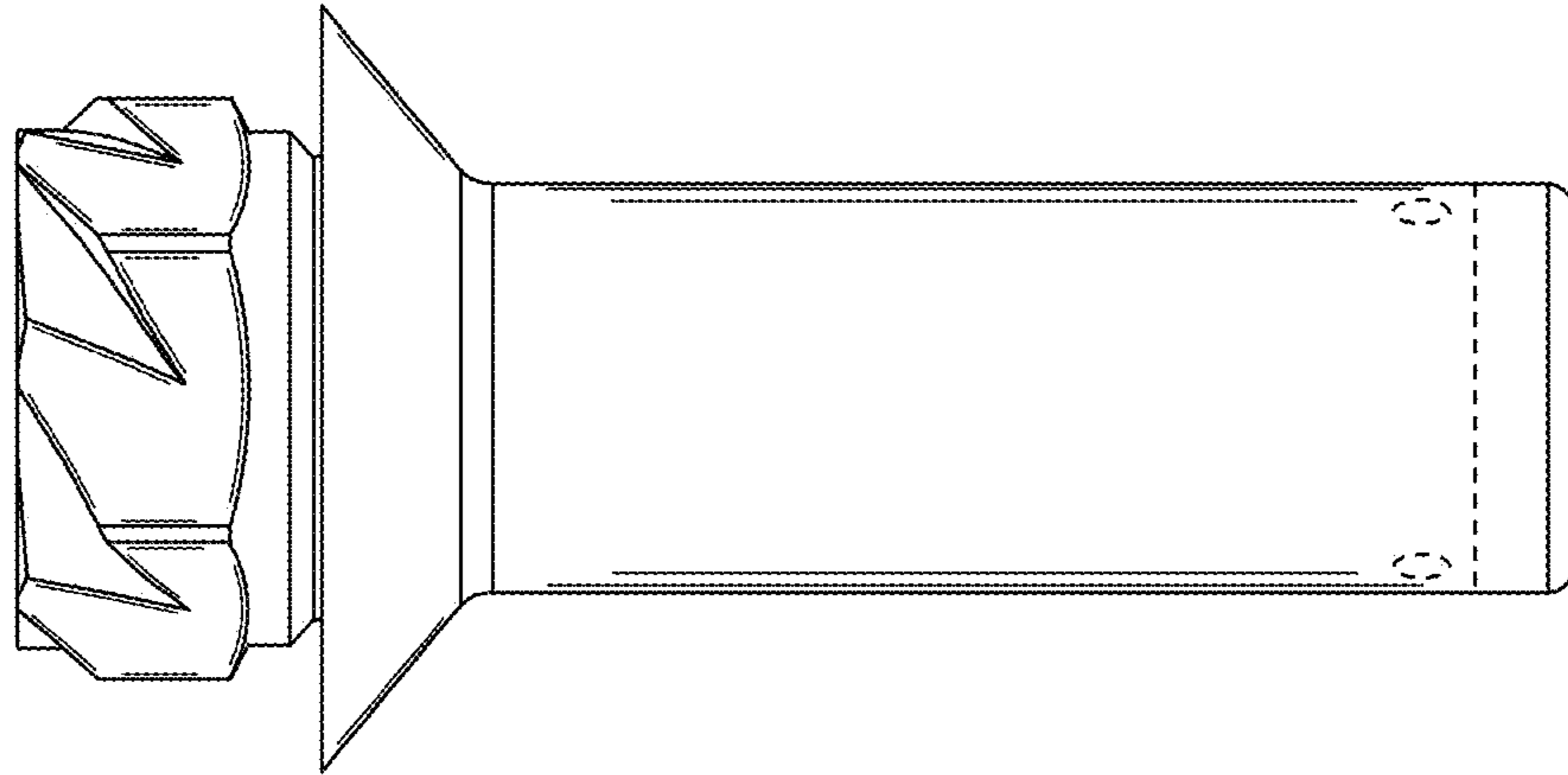


FIG. 7

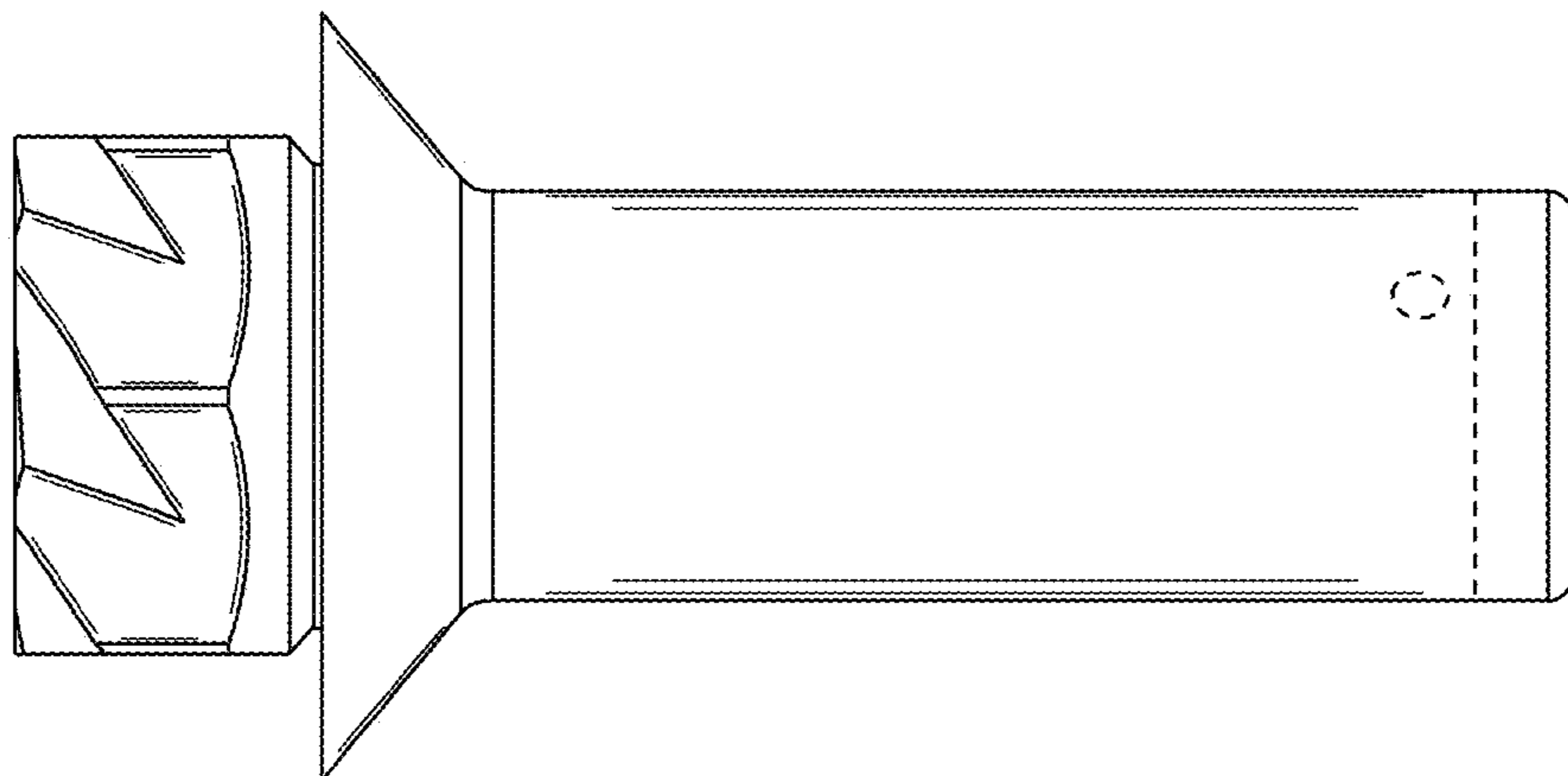


FIG. 8