



US00D935876S

(12) **United States Design Patent** (10) **Patent No.:** **US D935,876 S**  
**Lanois** (45) **Date of Patent:** **\*\* Nov. 16, 2021**

(54) **SCREW**  
(71) Applicant: **RRR Sports LLC**, Austin, TX (US)  
(72) Inventor: **Daniel Lanois**, Prosper, TX (US)  
(73) Assignee: **SI-Restore LLC**, Austin, TX (US)

D588,700 S \* 3/2009 Aldecoa ..... D24/156  
D603,512 S \* 11/2009 Emanuelli ..... D24/156  
D603,513 S \* 11/2009 Emanuelli ..... D24/156  
D603,514 S \* 11/2009 Emanuelli ..... D24/156  
D629,905 S 12/2010 Horton et al.  
(Continued)

(\*\*) Term: **15 Years**  
(21) Appl. No.: **29/690,370**

FOREIGN PATENT DOCUMENTS

AR 938150001 A1 8/2018  
CA 85472 A 12/1998  
(Continued)

(22) Filed: **May 7, 2019**  
(51) **LOC (13) Cl.** ..... **08-08**  
(52) **U.S. Cl.**

OTHER PUBLICATIONS

Bio-fusion-screw, Date visited: Nov. 11, 2020, <https://www.biofusionmedical.com>, Online, Date: May 2020, <https://www.biofusionmedical.com/wp-content/uploads/2020/05/bio-diagram-final.jpg> (Year: 2020).\*

USPC ..... **D8/387**  
(58) **Field of Classification Search**  
USPC ..... D24/156; D08/393, 397, 349, 354, 382,  
D08/399, 387  
CPC ..... F16B 19/00; F16B 12/22; F16B 12/24;  
F16B 15/02; F16B 15/06; F16B 31/025;  
F16B 35/00; F16B 35/06; F16B 37/14;  
A61C 13/0001; A61C 13/10; A61C  
13/102; A61C 13/30; A61C 8/0048; A61C  
8/005; A61C 8/0054; A61C 8/0074; B25B  
13/50; B25B 27/14  
See application file for complete search history.

(Continued)

*Primary Examiner* — Susan Bennett Hattan  
*Assistant Examiner* — Elizabeth S Ko  
(74) *Attorney, Agent, or Firm* — Husch Blackwell LLP

(56) **References Cited**

**CLAIM**

(57) **CLAIM**  
The ornamental design for a screw, as shown and described.

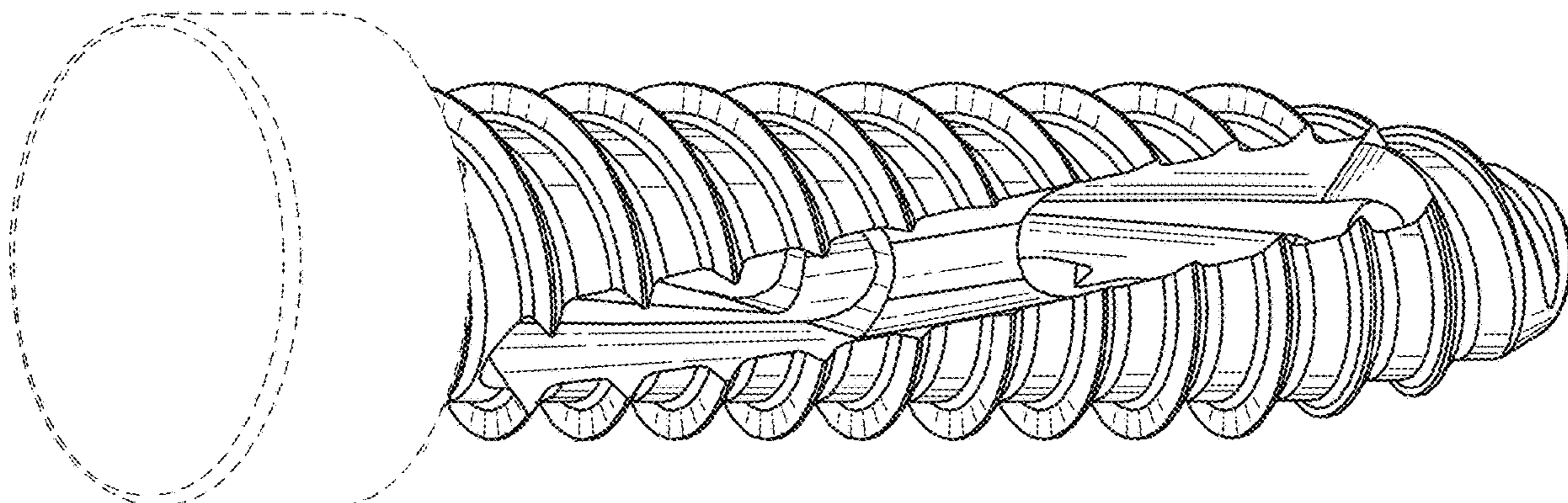
U.S. PATENT DOCUMENTS

5,725,581 A \* 3/1998 Brçnemark ..... A61F 2/30749  
606/304  
D411,009 S \* 6/1999 Asfora ..... D24/155  
6,375,465 B1 \* 4/2002 Engman ..... A61C 8/0022  
433/172  
6,382,976 B1 \* 5/2002 Wagner ..... A61C 8/0022  
433/174  
D503,803 S \* 4/2005 Shalaby ..... D24/156  
D565,181 S \* 3/2008 Aldecoa ..... D24/156  
D577,122 S \* 9/2008 Aldecoa ..... D24/156  
D588,699 S \* 3/2009 Aldecoa ..... D24/156

**DESCRIPTION**

FIG. 1 is a perspective view of the design of a screw;  
FIG. 2 is a back plan view of the screw shown in FIG. 1;  
FIG. 3 is a front plan view of the screw shown in FIG. 1;  
FIG. 4 is a top side view of the screw shown in FIG. 1;  
FIG. 5 is a back side view of the screw shown in FIG. 1;  
FIG. 6 is a left side view of the screw shown in FIG. 1; and,  
FIG. 7 is a right side view of the screw shown in FIG. 1.  
Any features shown in broken lines depict environmental  
subject matter only and form no part of the claimed design.

**1 Claim, 3 Drawing Sheets**



(56)

References Cited

U.S. PATENT DOCUMENTS

D653,344	S *	1/2012	Bar-Shalom	.....	D24/156
D748,263	S *	1/2016	Ishiwata	.....	D24/156
D749,738	S *	2/2016	Weiner	.....	D24/156
9,526,548	B2	12/2016	Asfora		
D783,821	S *	4/2017	Folsom	.....	D24/155
9,724,149	B2	8/2017	Trieu et al.		
D819,432	S *	6/2018	Bennett	.....	D8/387
D820,073	S *	6/2018	Iacono	.....	D8/382
D838,369	S *	1/2019	Thome	.....	D24/155
D845,485	S *	4/2019	Thome	.....	D24/155
D848,251	S *	5/2019	Wang	.....	D8/385
2008/0118893	A1 *	5/2008	Armellini	.....	A61C 19/06 433/174
2008/0261176	A1 *	10/2008	Hurson	.....	A61C 8/0069 433/174
2013/0209960	A1 *	8/2013	Benhamou	.....	A61C 8/0001 433/174
2014/0031934	A1	1/2014	Trieu		
2016/0287301	A1	10/2016	Mehl et al.		
2017/0172706	A1 *	6/2017	Lapinski	.....	A61C 13/30
2018/0042652	A1	2/2018	Mari et al.		
2018/0116814	A1	5/2018	Sullivan et al.		
2018/0235669	A1	8/2018	Whipple et al.		
2020/0030062	A1 *	1/2020	Kullick	.....	A61C 8/0059
2020/0146786	A1 *	5/2020	Fromovich	.....	A61C 8/0068
2020/0229904	A1 *	7/2020	Hurson	.....	A61C 8/0025
2020/0345464	A1 *	11/2020	Soler	.....	A61C 8/008

FOREIGN PATENT DOCUMENTS

EM	004364081-0001	9/2017
EM	004902005-0004	3/2018

OTHER PUBLICATIONS

Reflect Dental Implant Systems \_ integrated dental systems, Date visited: Nov. 11, 2020, <https://idsimplants.com>, online, <https://idsimplants.com/dental-implant-systems/reflect/> (Year: 2020).\*

“Samba Screw System Minimally Invasive Surgical Solution for Sacroiliac Joint Disruption.” Medical Designs, LLC, pp. 1-4, 2013.

“Sicure(R) Sacroiliac Joint Fusion System: Surgical Technique Guide.” Alevio, LLC, Birmingham, AL, pp. 1-19, 2013.

Perriello, Brad, “Yale study of Medtronic Infuse shows its equivalent to bone graft, but studies were biased.” MassDevice Medical Network, pp. 1-4, Jun. 17, 2013. [Accessed at <https://www.massdevice.com/yale-study-medtronic-infuse-shows-its-equivalent-bone-graft-studies-were-biased/>].

“Life Spine Announces Alpha Launch of Simpact Tri-Fin Sacroiliac Joint Fixation Screws.” Life Spine, Huntley, IL, pp. 1-2, Nov. 21, 2017. [Accessed at <https://lifespine.com/project/simpact-tri-fin-alpha-launch/>].

“M.U.S.T. SI Sacro-Iliac Joint Screw System.” Medacta International, pp. 1-4, 2017-2018. [Accessed at <https://www.medacta.com/EN/must-si>].

Sandberg, Josh, “Spinefrontiers® First Sacrofuse® and Nanofuse Case Performed in Latin America.” Ortho Spine News, pp. 1-2, Feb. 22, 2019. [Accessed at: <http://www.orthospinenews.com/2019/02/22/spinefrontiers-first-sacrofuse-and-nanofuse-case-performed-in-latin-america/>].

\* cited by examiner

FIG. 1

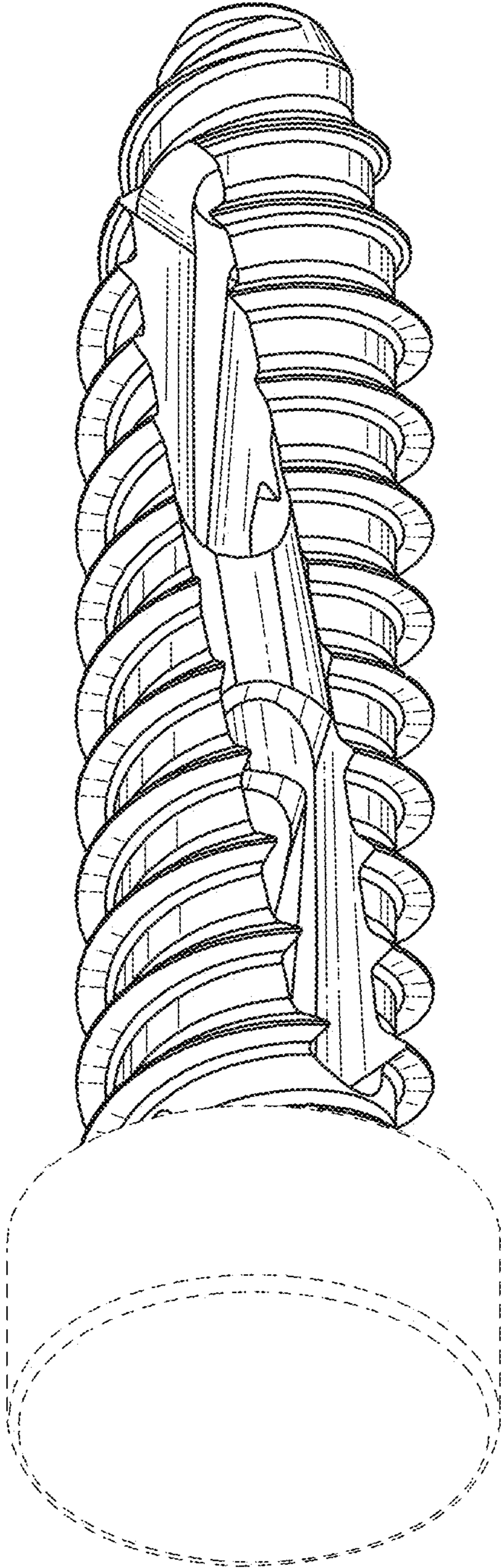


FIG. 2

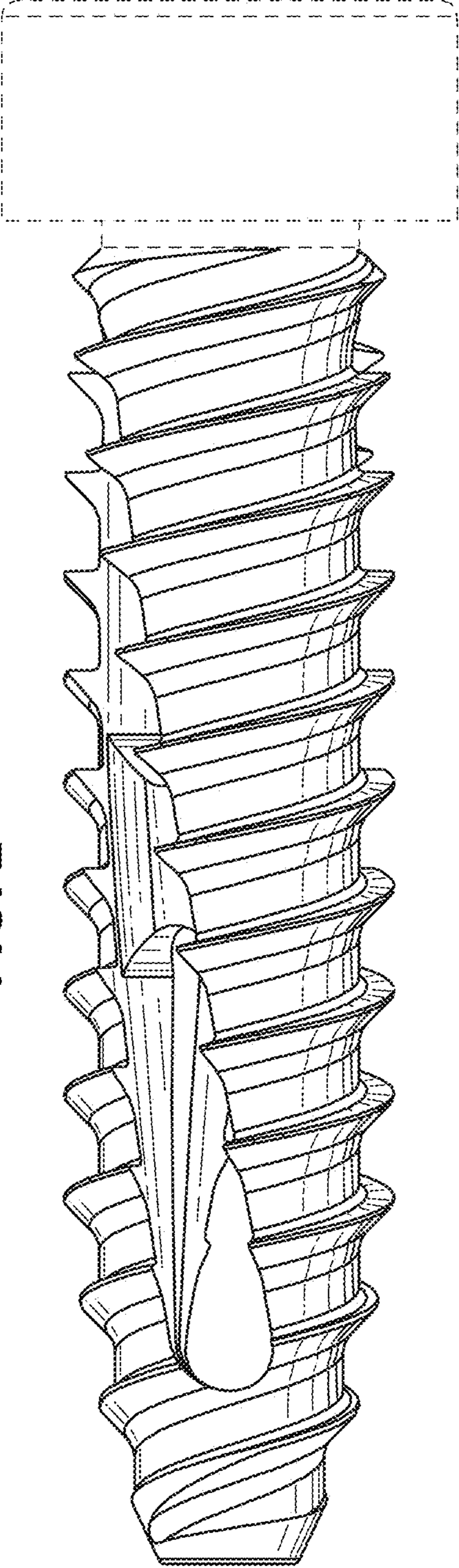


FIG. 3

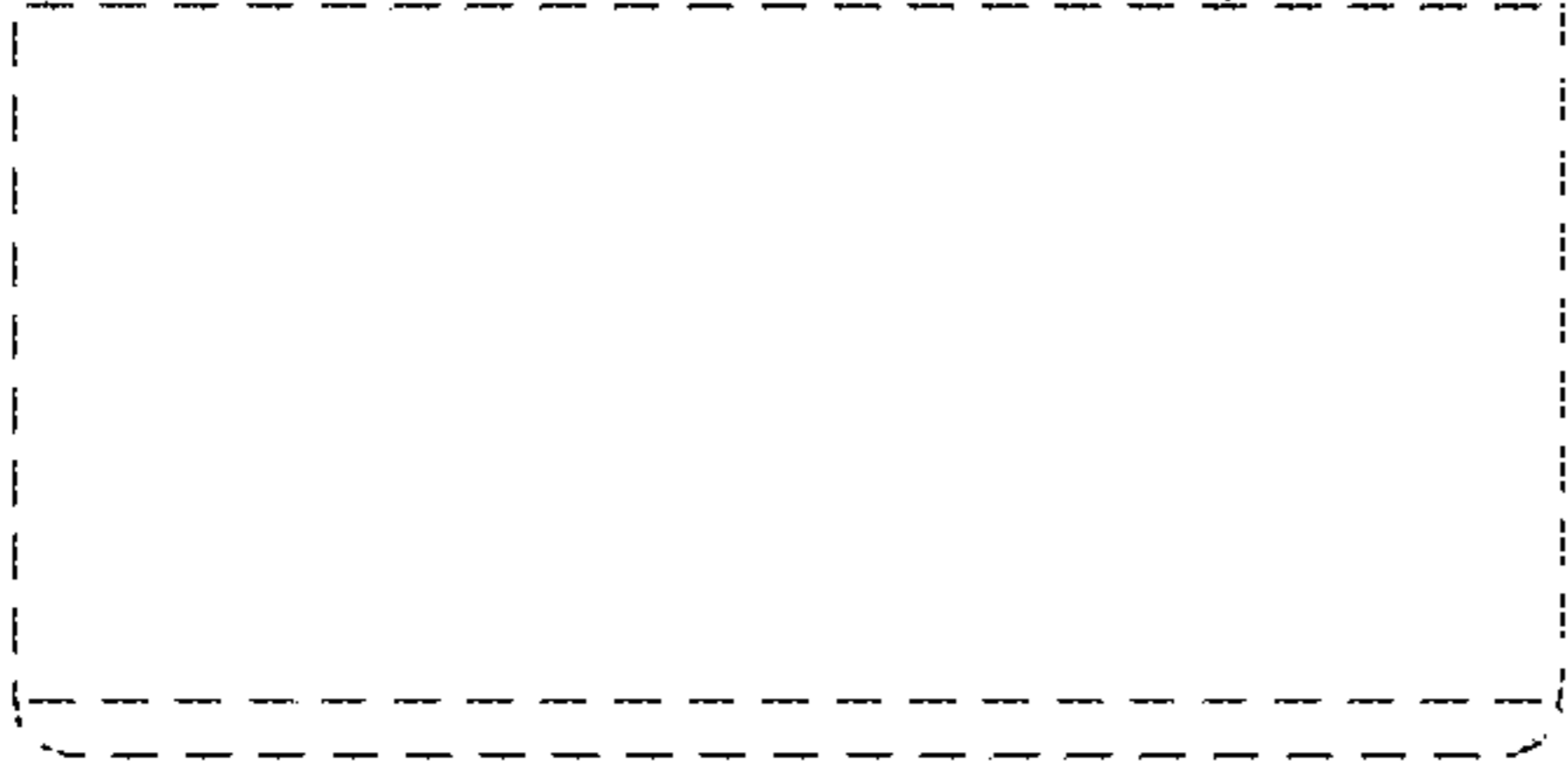
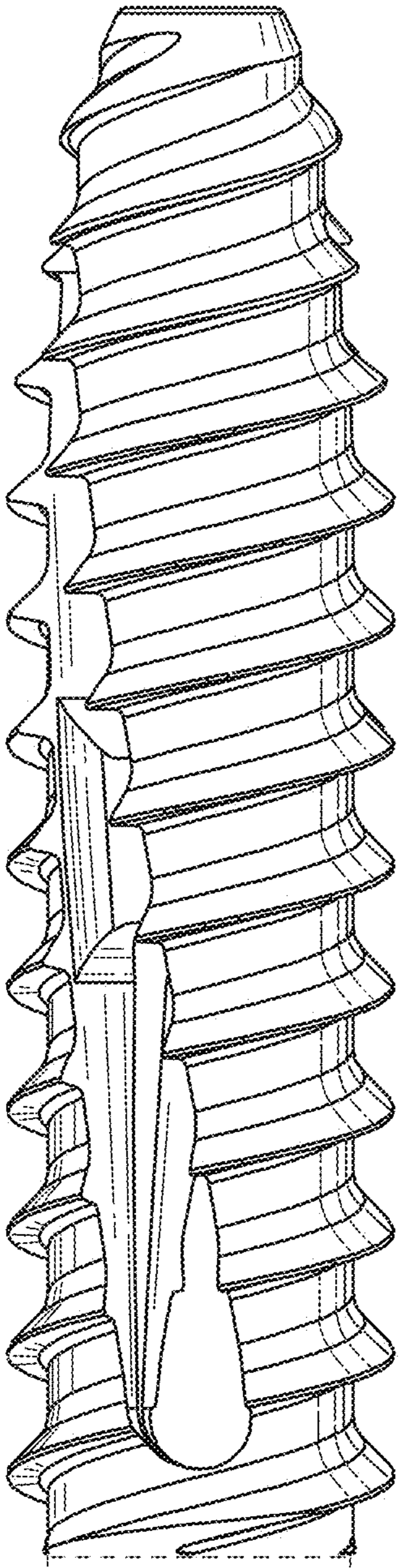


FIG. 4

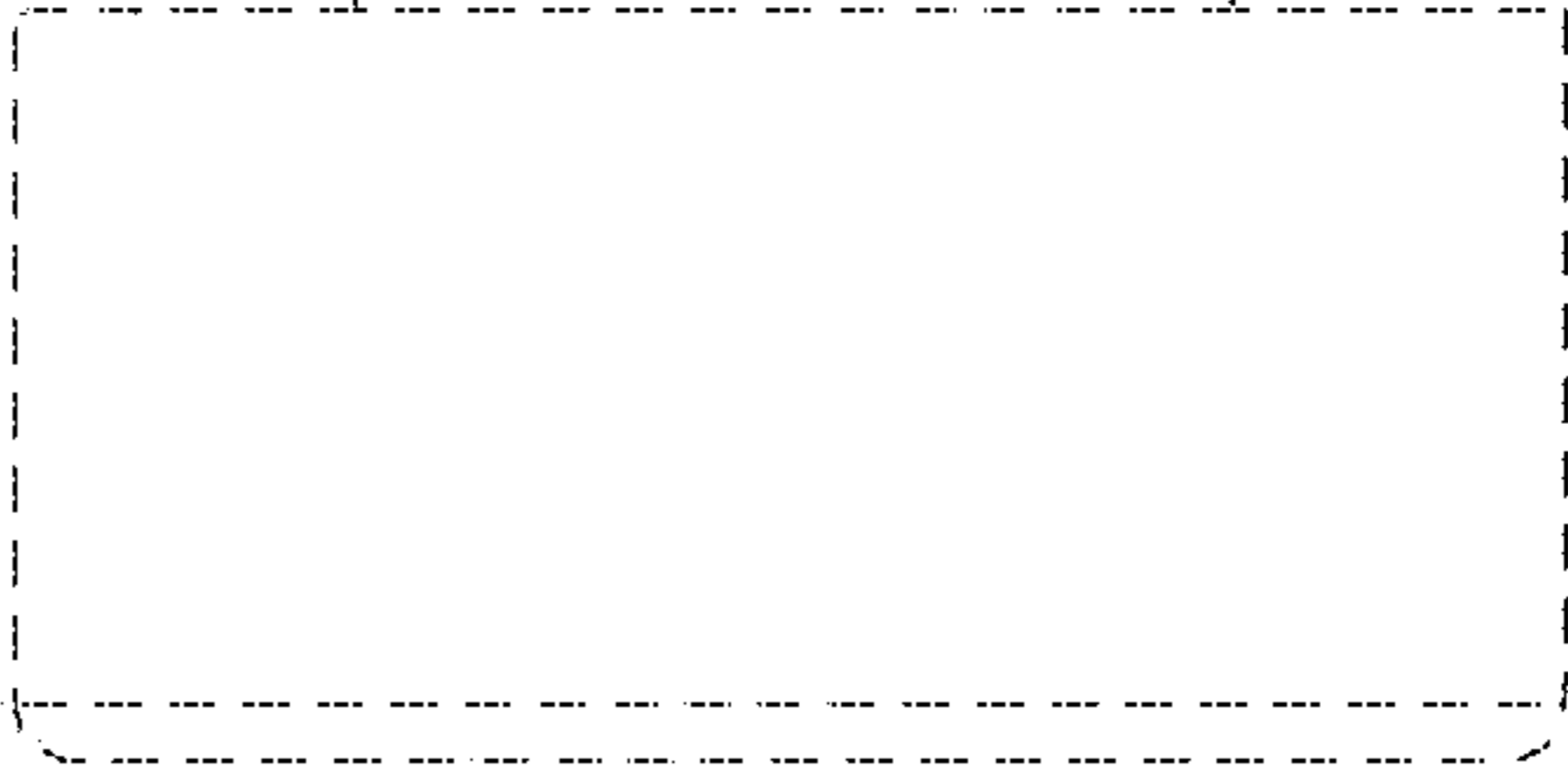
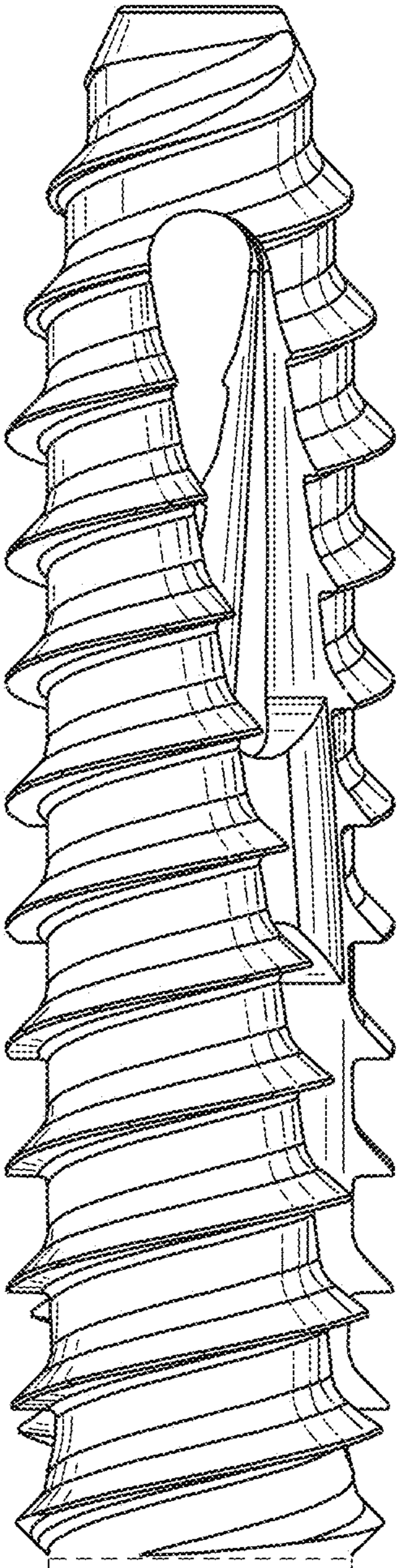


FIG. 5

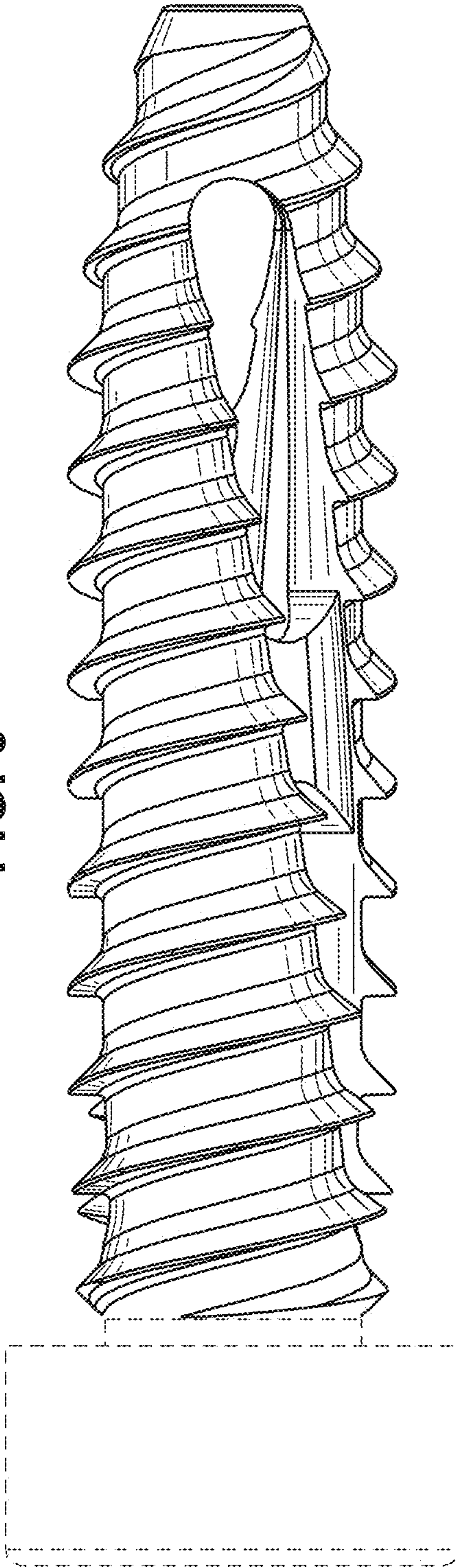


FIG. 6

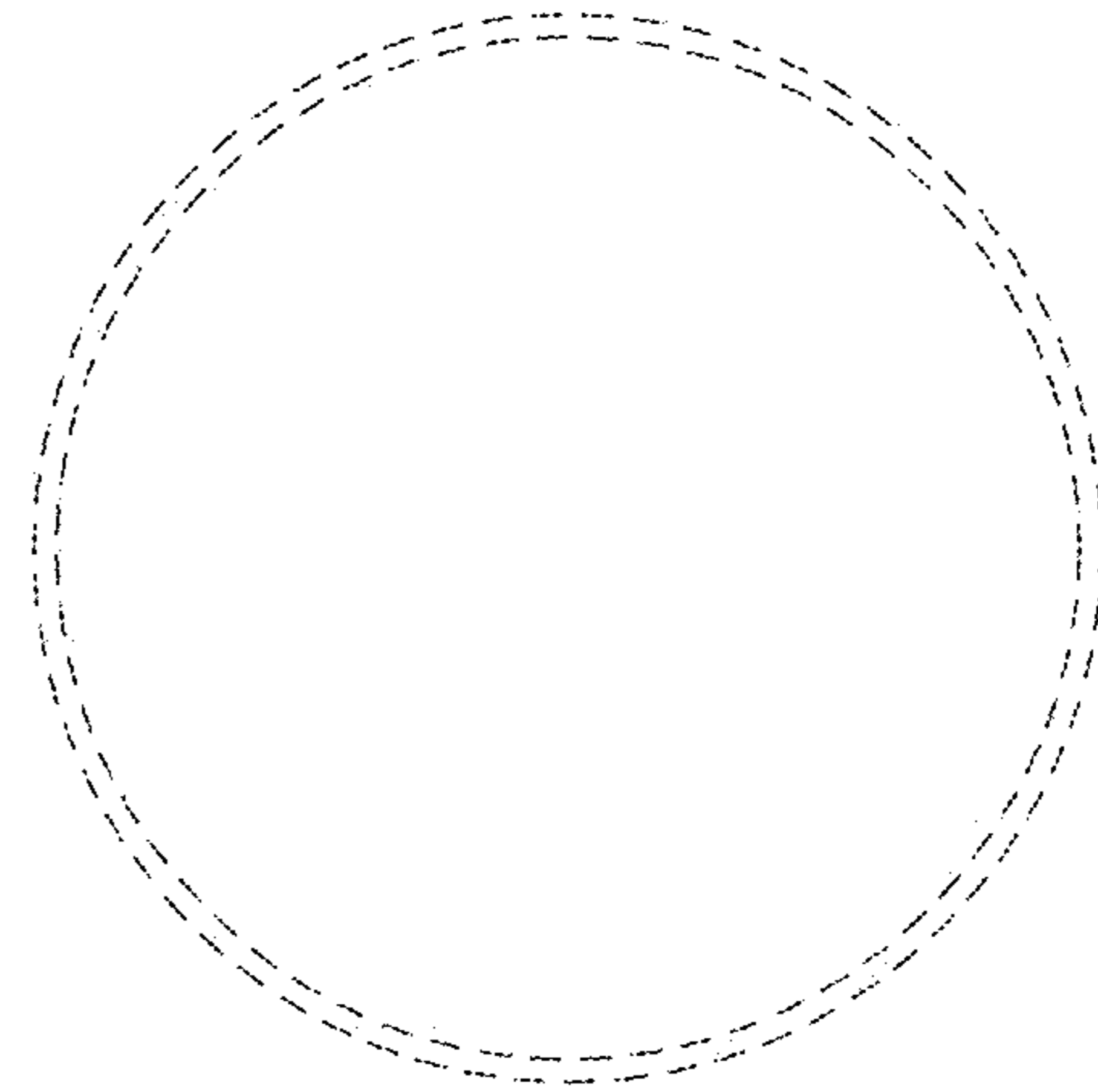


FIG. 7

