



US00D935875S

(12) **United States Design Patent** (10) **Patent No.:** **US D935,875 S**  
**Uschold** (45) **Date of Patent:** **\*\* \*Nov. 16, 2021**

(54) **FASTENER**  
(71) Applicant: **Avery Dennison Corporation**,  
Glendale, CA (US)  
(72) Inventor: **Robert Charles Uschold**, Leominster,  
MA (US)  
(73) Assignee: **Avery Dennison Corporation**,  
Glendale, CA (US)  
(\* ) Notice: This patent is subject to a terminal dis-  
claimer.  
(\*\* ) Term: **15 Years**  
(21) Appl. No.: **29/714,636**  
(22) Filed: **Nov. 25, 2019**  
(51) **LOC (13) Cl.** ..... **08-08**  
(52) **U.S. Cl.**  
USPC ..... **D8/382; D8/394**  
(58) **Field of Classification Search**  
USPC ..... D8/349, 382-399; 24/710.5, 711, 336,  
24/338; 277/67, 68  
CPC .... A41H 37/008; A43D 100/08; A44B 1/185;  
A44B 9/02; Y10T 24/4689; Y10T 24/24;  
A45D 8/16; A45D 8/22; A45D 8/26;  
A41D 13/0562; A41D 27/202; A45C  
7/0027; B21D 53/52; B21F 45/18; B65H  
2405/1414; B65D 33/2525; B65D  
33/25865  
See application file for complete search history.

(56) **References Cited**  
U.S. PATENT DOCUMENTS  
2,257,954 A \* 10/1941 Henkels ..... B21D 53/52  
24/411  
2,947,047 A \* 8/1960 Guzell ..... B42F 1/08  
24/67.9  
D200,198 S \* 2/1965 Vilcins et al. .... D8/383

3,282,657 A \* 11/1966 Bright ..... B60J 10/18  
428/575  
3,338,689 A \* 8/1967 Cervenka ..... B21D 53/00  
428/571  
3,399,432 A 9/1968 Merser  
(Continued)

**FOREIGN PATENT DOCUMENTS**

CA 33943 5/1971  
CN 301364410 \* 4/2010  
(Continued)

**OTHER PUBLICATIONS**

Keadic, 30Pcs M32 Two Hole Strap U Bracket Tube Strap Tension  
Clips Stainless Steel Heavy Duty Rigid Pipe Strap Clamp, Date first  
available Sep. 2, 2018, [online]retrieved Dec. 28, 2020, available  
from internet, <https://www.amazon.com/Keadic-Bracket-Stainless-Surfaces-Structures/dp/B07H25JPZN/ref=s> (Year: 2018).\*

(Continued)

*Primary Examiner* — Keli L Hill  
*Assistant Examiner* — Sara S Sahneh

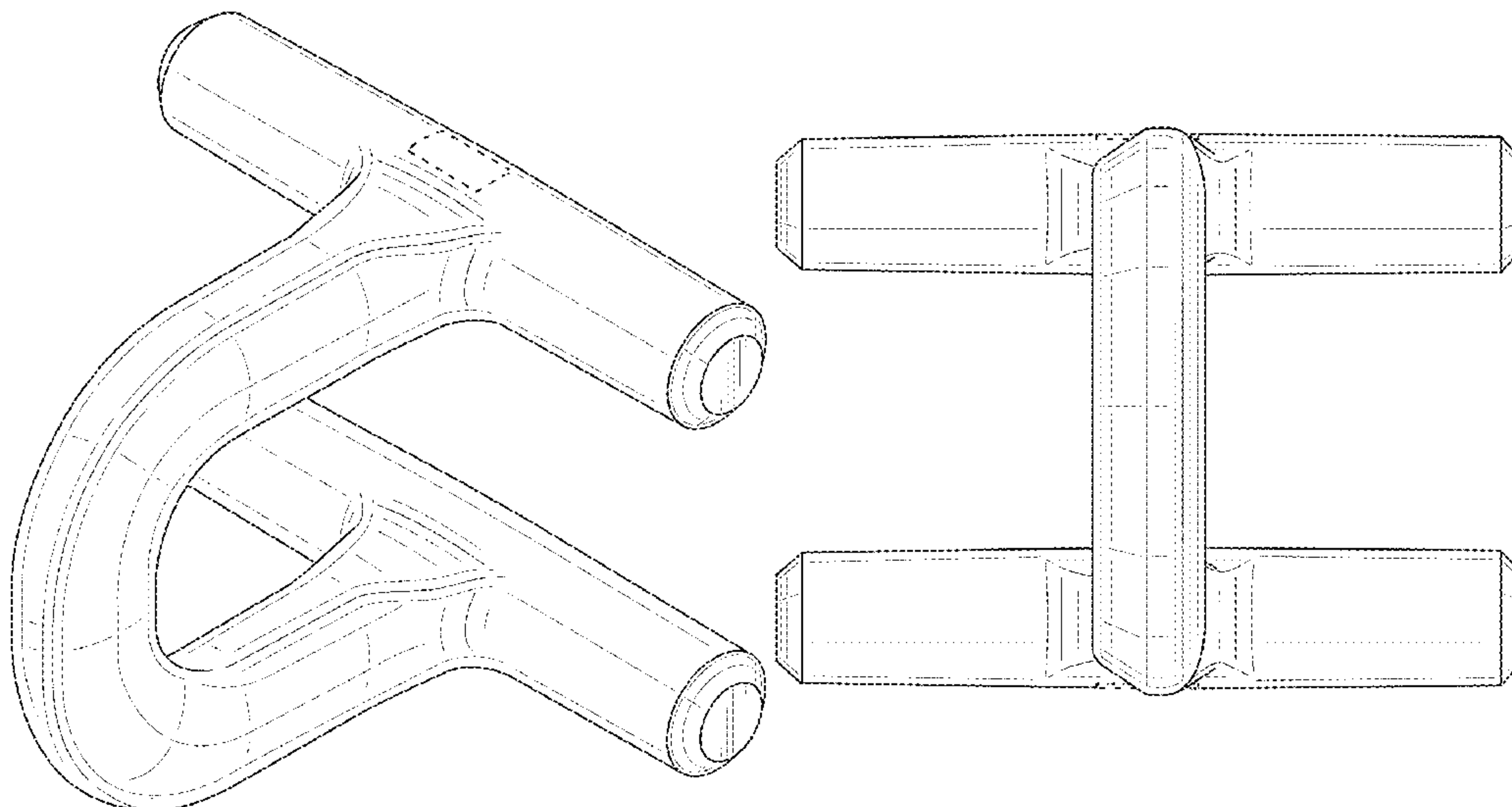
(57) **CLAIM**

The ornamental design for a fastener, as shown and  
described.

**DESCRIPTION**

FIG. 1 is a front, top, left perspective view of a fastener,  
showing my new design;  
FIG. 2 is a right side view of the fastener of FIG. 1;  
FIG. 3 is a left side view of the fastener of FIG. 1;  
FIG. 4 is a front view of the fastener of FIG. 1;  
FIG. 5 is a rear view of the fastener of FIG. 1;  
FIG. 6 is a top view of the fastener of FIG. 1; and,  
FIG. 7 is a bottom view of the fastener of FIG. 1.  
The broken lines shown are included for the purpose of  
illustrating portions of the fastener that form no part of the  
Claim.

**1 Claim, 7 Drawing Sheets**



(56)

References Cited

U.S. PATENT DOCUMENTS

3,470,834 A 10/1969 Bone  
 3,494,004 A 2/1970 Bone  
 3,547,122 A 12/1970 Rinser  
 D223,138 S 3/1972 Mulholland  
 3,750,605 A \* 8/1973 Warburton ..... A44B 19/406  
 29/410  
 D230,115 S \* 1/1974 Beams ..... D8/394  
 3,815,798 A 6/1974 Lavitch et al.  
 3,875,648 A 4/1975 Bone  
 3,893,612 A 7/1975 Bone  
 3,895,753 A 7/1975 Bone  
 3,900,925 A 8/1975 LaTorraca  
 3,990,619 A 11/1976 Russell  
 D243,365 S \* 2/1977 Cross ..... D24/135  
 D251,771 S \* 5/1979 Tritton ..... D8/382  
 4,187,970 A 2/1980 Furutu  
 4,296,698 A 10/1981 Davidson et al.  
 4,333,596 A 6/1982 Kunreuther  
 4,417,682 A 11/1983 Furutsu  
 4,423,837 A 1/1984 Clements  
 D273,171 S 3/1984 Bone  
 4,455,858 A 6/1984 Hettich  
 4,456,162 A 6/1984 Furutsu  
 4,482,088 A 11/1984 Hyun  
 4,492,330 A 1/1985 Furutsu  
 4,664,306 A 5/1987 Levy  
 4,693,248 A \* 9/1987 Failla ..... A61B 17/0643  
 411/339  
 4,838,469 A 6/1989 Strausburg  
 4,923,106 A 5/1990 Furutsu  
 5,020,713 A 6/1991 Kunreuther  
 5,074,452 A 12/1991 Bone  
 D327,398 S 6/1992 Meyers  
 D333,415 S 2/1993 Furutsu  
 5,188,912 A 2/1993 Katoh  
 5,205,458 A 4/1993 Kunreuther  
 D340,850 S 11/1993 Tang  
 5,305,939 A 4/1994 Deschenes et al.  
 5,307,975 A 5/1994 Deschenes et al.  
 5,383,260 A 1/1995 Deschenes et al.  
 RE34,857 E 2/1995 Kunreuther  
 D362,606 S 9/1995 Deschenes et al.  
 5,447,263 A 9/1995 Tropper et al.  
 D364,337 S 11/1995 Deschenes et al.  
 D365,003 S 12/1995 Davignon et al.  
 D366,608 S 1/1996 Deschenes et al.  
 5,495,974 A 3/1996 Deschenes et al.  
 5,518,162 A 5/1996 Deschenes et al.  
 5,622,257 A 4/1997 Deschenes et al.  
 5,671,507 A \* 9/1997 Deschenes ..... A44B 1/185  
 24/114.7  
 5,678,747 A 10/1997 Kunreuther et al.  
 5,715,984 A 2/1998 Deschenes  
 5,810,238 A 9/1998 Kunreuther  
 5,813,589 A 9/1998 Kim  
 5,826,775 A 10/1998 Mooney et al.  
 D402,540 S \* 12/1998 Stridh ..... D8/390  
 5,938,024 A 8/1999 Deschenes et al.  
 5,954,242 A 9/1999 Deschenes et al.  
 D415,953 S \* 11/1999 Huang ..... D8/382  
 5,975,398 A 11/1999 Evans  
 6,055,716 A \* 5/2000 Ayres ..... A47C 31/06  
 227/136  
 6,126,056 A 10/2000 Ueno et al.  
 D434,630 S 12/2000 Oliver et al.  
 6,267,285 B1 7/2001 Raymond et al.  
 6,267,286 B1 7/2001 Deschenes et al.  
 6,418,597 B1 7/2002 Deschenes et al.  
 6,427,895 B1 8/2002 Deschenes

6,638,297 B1 \* 10/2003 Huitema ..... A61B 17/0644  
 606/213  
 6,685,077 B1 2/2004 Davignon et al.  
 D522,330 S 6/2006 Arnold et al.  
 D590,685 S 4/2009 Sterling  
 D596,007 S 7/2009 Price et al.  
 8,316,529 B2 1/2012 Davis et al.  
 8,381,958 B2 2/2013 Lussier et al.  
 D696,576 S \* 12/2013 Ng ..... D8/394  
 9,271,726 B2 \* 3/2016 Euteneuer ..... A61B 17/0642  
 D808,253 S \* 1/2018 Daniels ..... D8/382  
 D895,113 S \* 9/2020 Blair ..... D24/145  
 D914,491 S \* 3/2021 Daniels ..... D8/382  
 2005/0125958 A1 6/2005 Deschenes et al.  
 2013/0167356 A1 \* 7/2013 Hagie ..... F16G 3/003  
 29/432  
 2016/0135808 A1 \* 5/2016 Anderson ..... A61B 17/0644  
 606/219

FOREIGN PATENT DOCUMENTS

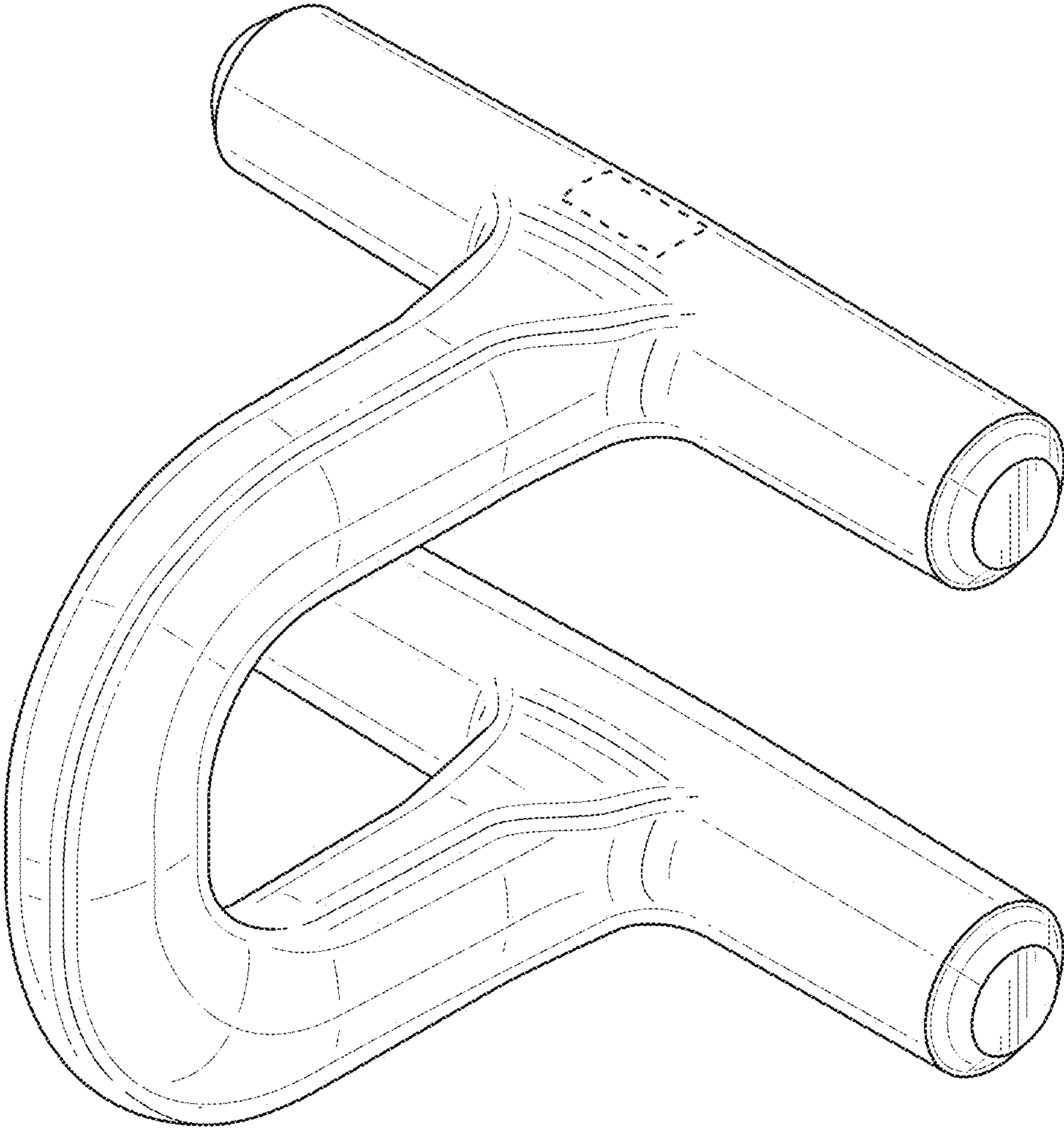
CN 301719092 \* 4/2011  
 CN 203158329 8/2013  
 DE 3625481 2/1988  
 GB 4006092 \* 2/2008  
 GB 6014567 \* 6/2017  
 JP 06171632 6/1994  
 JP D1380076 \* 3/2009  
 JP D1455928 \* 5/2012  
 WO 98/21990 5/1998

OTHER PUBLICATIONS

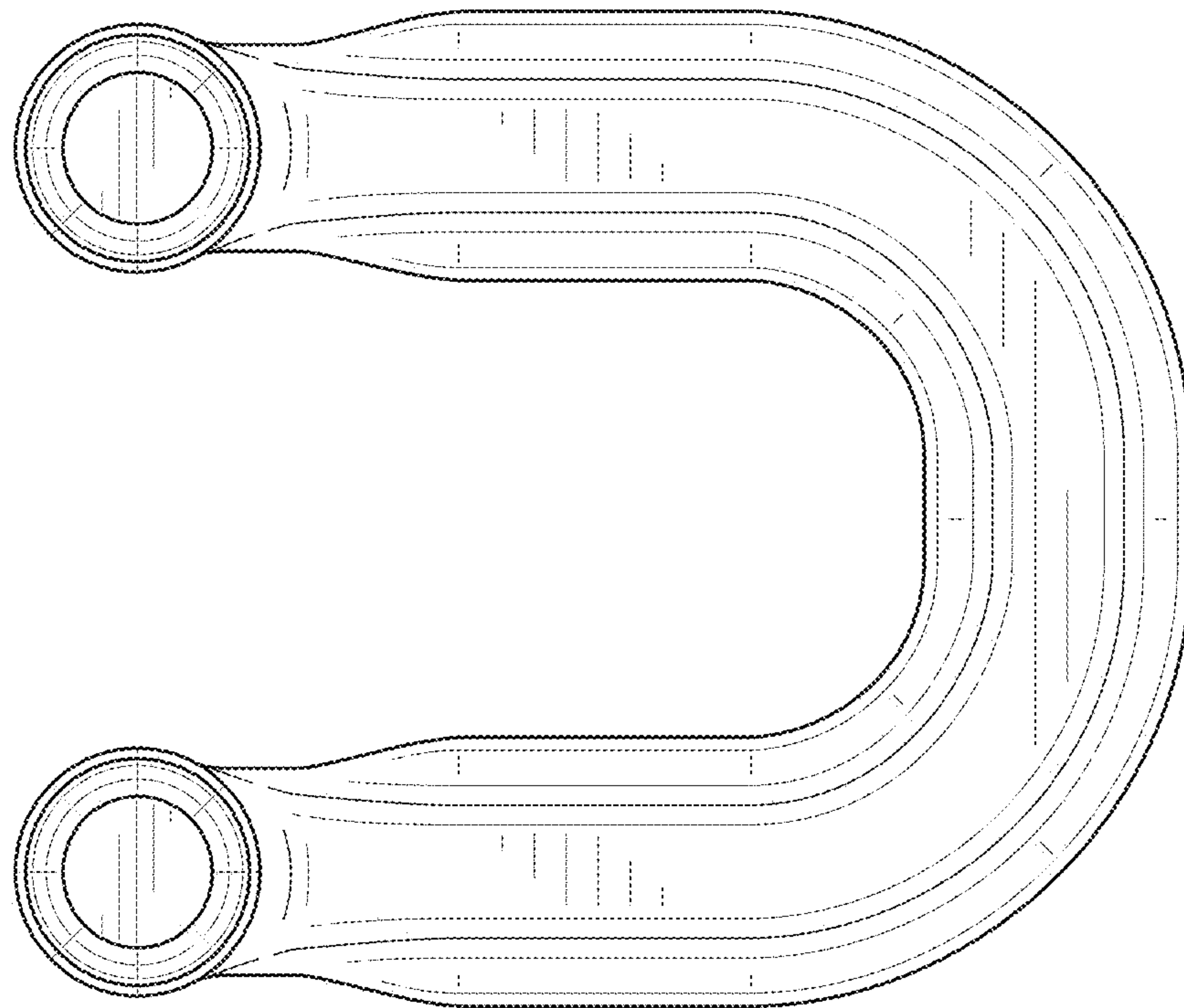
SeeRaphee, 304 Stainless Steel U Bolt Set Marine Boat Deck Hardware M8x100, Date first available May 23, 2018, [online] retrieved Dec. 28, 2020, available from internet, [https://www.amazon.com/Stainless-Steel-Marine-Hardware-M8x100/dp/B07D7TYRGX/ref=sr\\_1\\_20\\_sspa?dchild=1&keywords=u+shaped+fasteners&qid=2018](https://www.amazon.com/Stainless-Steel-Marine-Hardware-M8x100/dp/B07D7TYRGX/ref=sr_1_20_sspa?dchild=1&keywords=u+shaped+fasteners&qid=2018).\*  
 Unistrut, Genuine Unistrut Brand P1047-EG 5 Hole“U” Shaped Connector Bracket, Date first available Feb. 7, 2014, [online] retrieved Dec. 28, 2020, available from internet, [https://www.amazon.com/Genuine-Unistrut-P1047-EG-Connector-Bracket/dp/B00IASG7BA/ref=sr\\_1\\_45?dchild=1&keywords=u+shaped+fasteners&Year:2014](https://www.amazon.com/Genuine-Unistrut-P1047-EG-Connector-Bracket/dp/B00IASG7BA/ref=sr_1_45?dchild=1&keywords=u+shaped+fasteners&Year:2014).\*  
 Prime-Line Store, MP7018 Wire Shelf Loop Clip, Date first available Nov. 9, 2017, [online] retrieved Dec. 28, 2020, available from internet, [https://www.amazon.com/Prime-Line-MP7018-Wire-Shelf-Piece/dp/B07793L26V/ref=sr\\_1\\_175?dchild=1&keywords=u+shaped+fasteners&qid=1609280165&sr=8-175](https://www.amazon.com/Prime-Line-MP7018-Wire-Shelf-Piece/dp/B07793L26V/ref=sr_1_175?dchild=1&keywords=u+shaped+fasteners&qid=1609280165&sr=8-175) (Year: 2017).\*  
 Bulk Hardware, BH03720 Galvanised Netting Staple, Date first available Jan. 20, 2017, [online] retrieved Apr. 9, 2021, available from [https://www.amazon.com/Bulk-Hardware-BH03720-Galvanised-Netting/dp/B01BHQKPKA/ref=sr\\_1\\_45?dchild=1&keywords=u+shaped+fasteners&qid=1617974810&sr=8-45](https://www.amazon.com/Bulk-Hardware-BH03720-Galvanised-Netting/dp/B01BHQKPKA/ref=sr_1_45?dchild=1&keywords=u+shaped+fasteners&qid=1617974810&sr=8-45) (Year: 2017).\*  
 Harris Hardware, TP1756 2 Ear Wall Bracket, Date first available Oct. 18, 2019, [online] retrieved Apr. 9, 2021, available from [https://www.amazon.com/Harris-Hardware-TP1756-Bracket-Chrome/dp/B07MFW7ZZZ/ref=pd\\_sbs\\_9?pd\\_rd\\_w=DKGPr&pf\\_rd\\_p=2419a049-62bf-452e-b0d0-ca5b7e35a7b4&pf\\_rd\\_r=3ESC62KWG8PNKFVPMRD&Year:2019](https://www.amazon.com/Harris-Hardware-TP1756-Bracket-Chrome/dp/B07MFW7ZZZ/ref=pd_sbs_9?pd_rd_w=DKGPr&pf_rd_p=2419a049-62bf-452e-b0d0-ca5b7e35a7b4&pf_rd_r=3ESC62KWG8PNKFVPMRD&Year:2019).\*  
 Unistrut, P1047-EG 5 Hole“U” Shaped Connector Bracket, Date first available Feb. 7, 2014, [online] retrieved Apr. 9, 2021, available from [https://www.amazon.com/Genuine-Unistrut-P1047-EG-Connector-Bracket/dp/B00IASG7BA/ref=sr\\_1\\_56?dchild=1&keywords=u+shaped+CLAMP&qid=1617981030&sr=8-56](https://www.amazon.com/Genuine-Unistrut-P1047-EG-Connector-Bracket/dp/B00IASG7BA/ref=sr_1_56?dchild=1&keywords=u+shaped+CLAMP&qid=1617981030&sr=8-56) (Year: 2014).\*  
 International Search Report and Written Opinion dated Aug. 3, 2020 issued in corresponding IA No. PCT/US2020/027185 filed Apr. 8, 2020.

\* cited by examiner

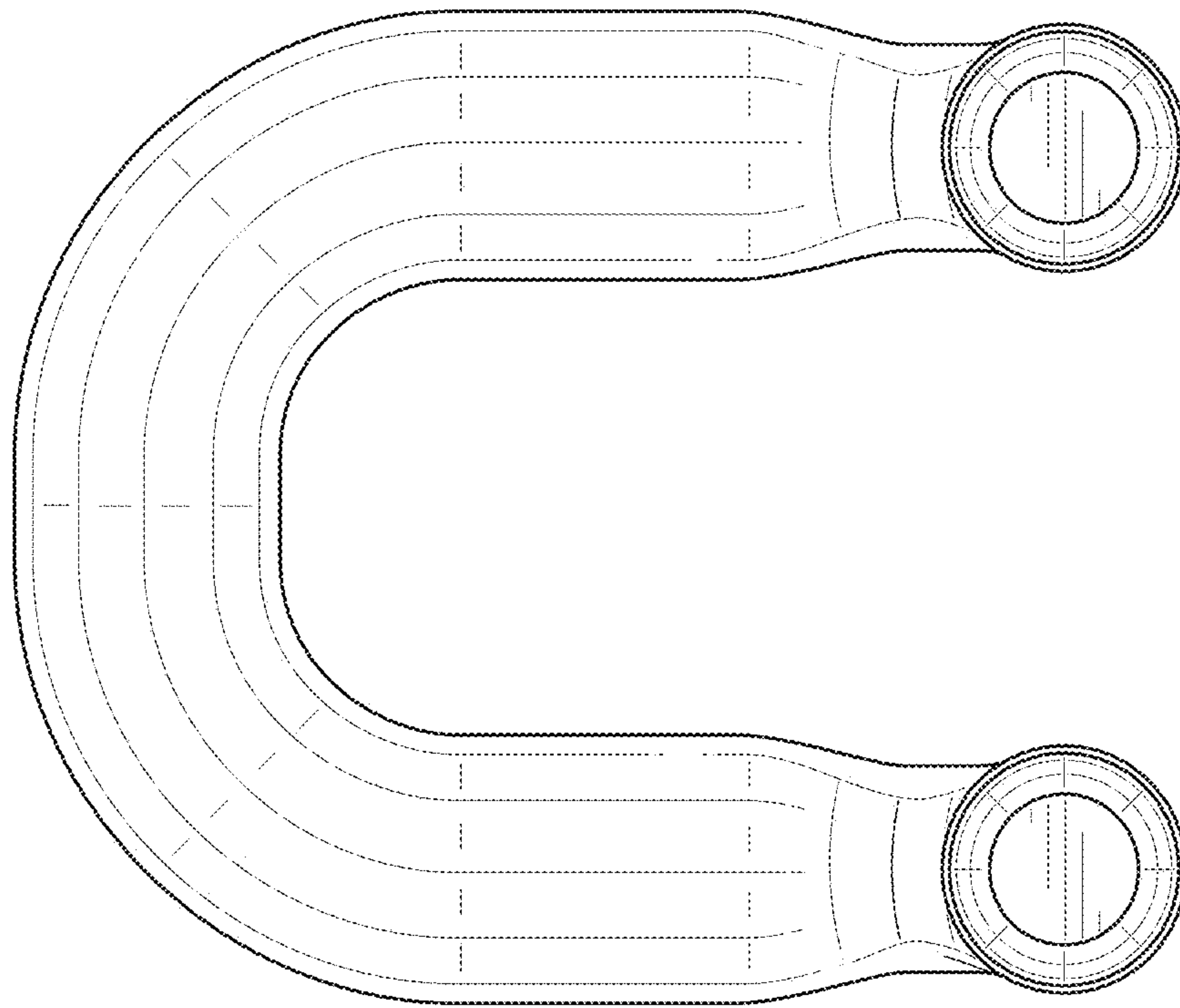




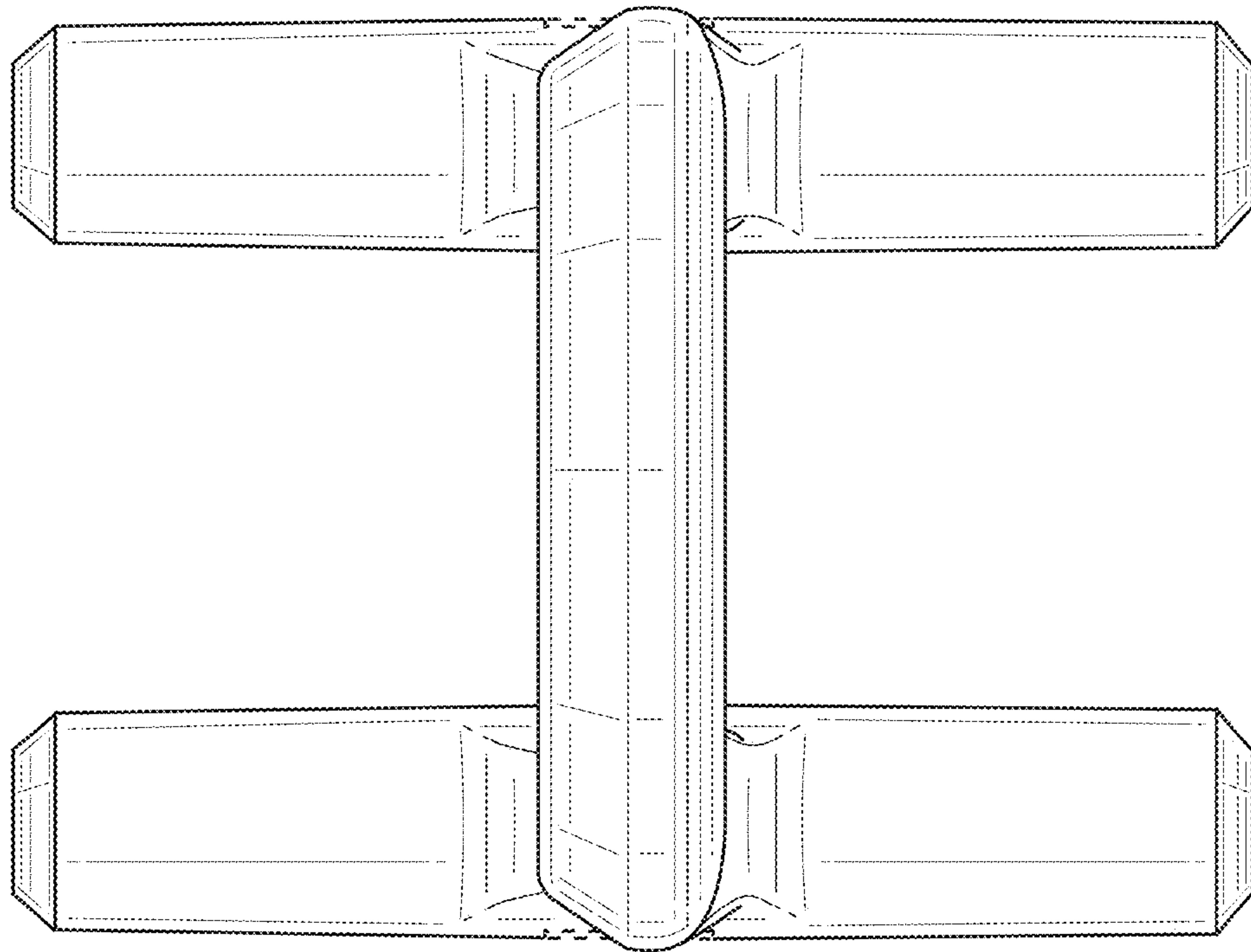
**FIG. 1**



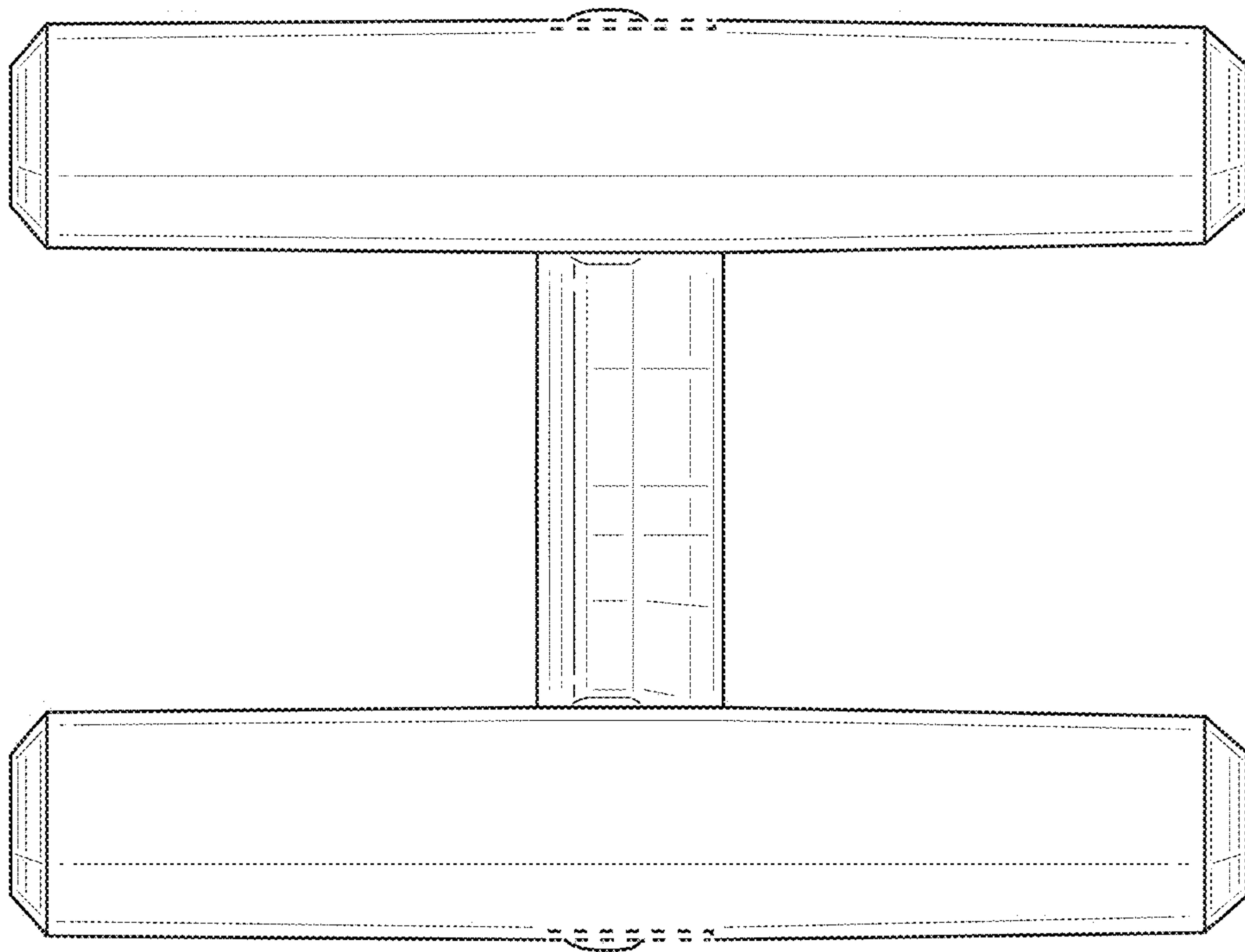
**FIG. 2**



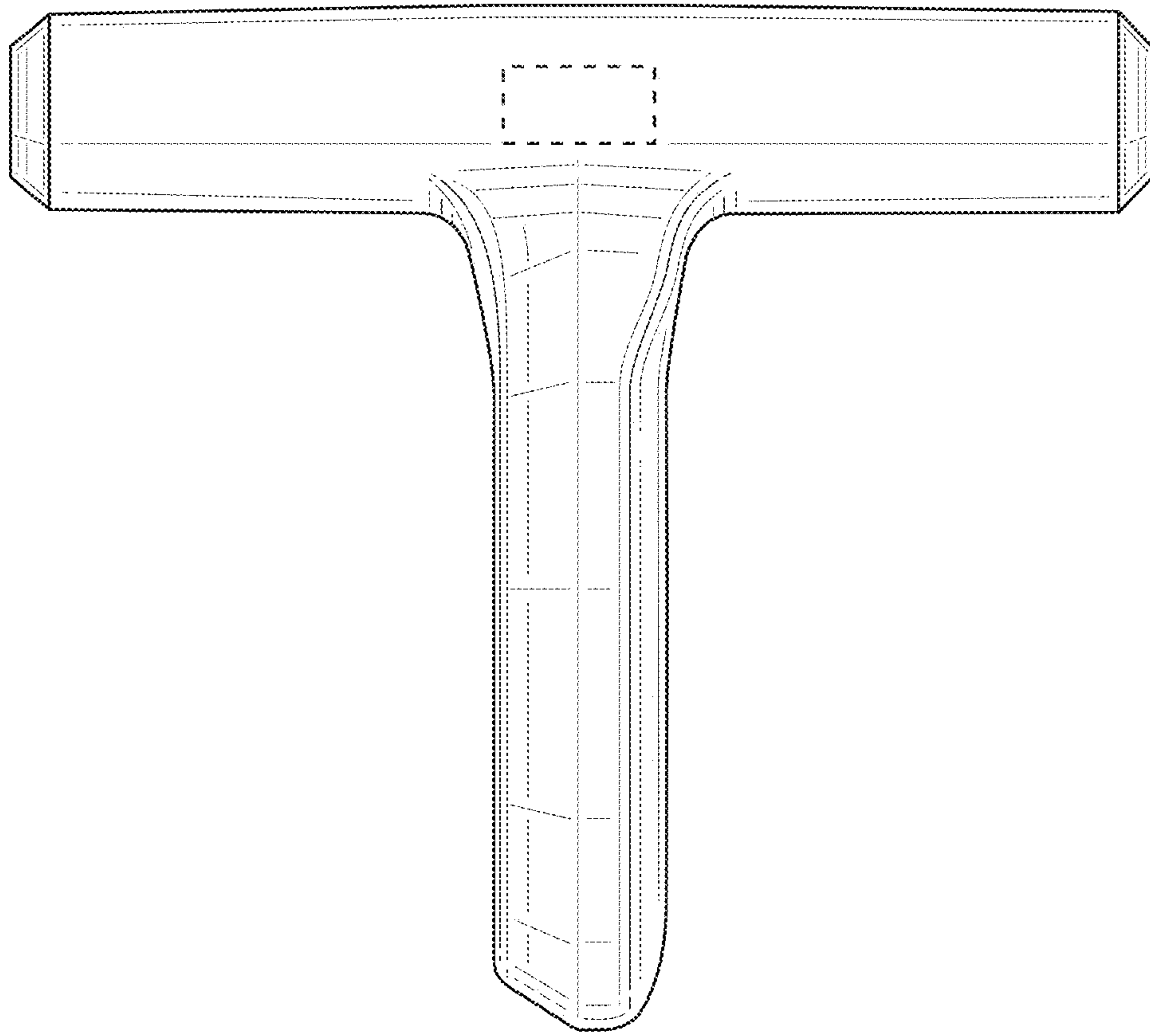
**FIG. 3**



**FIG. 4**

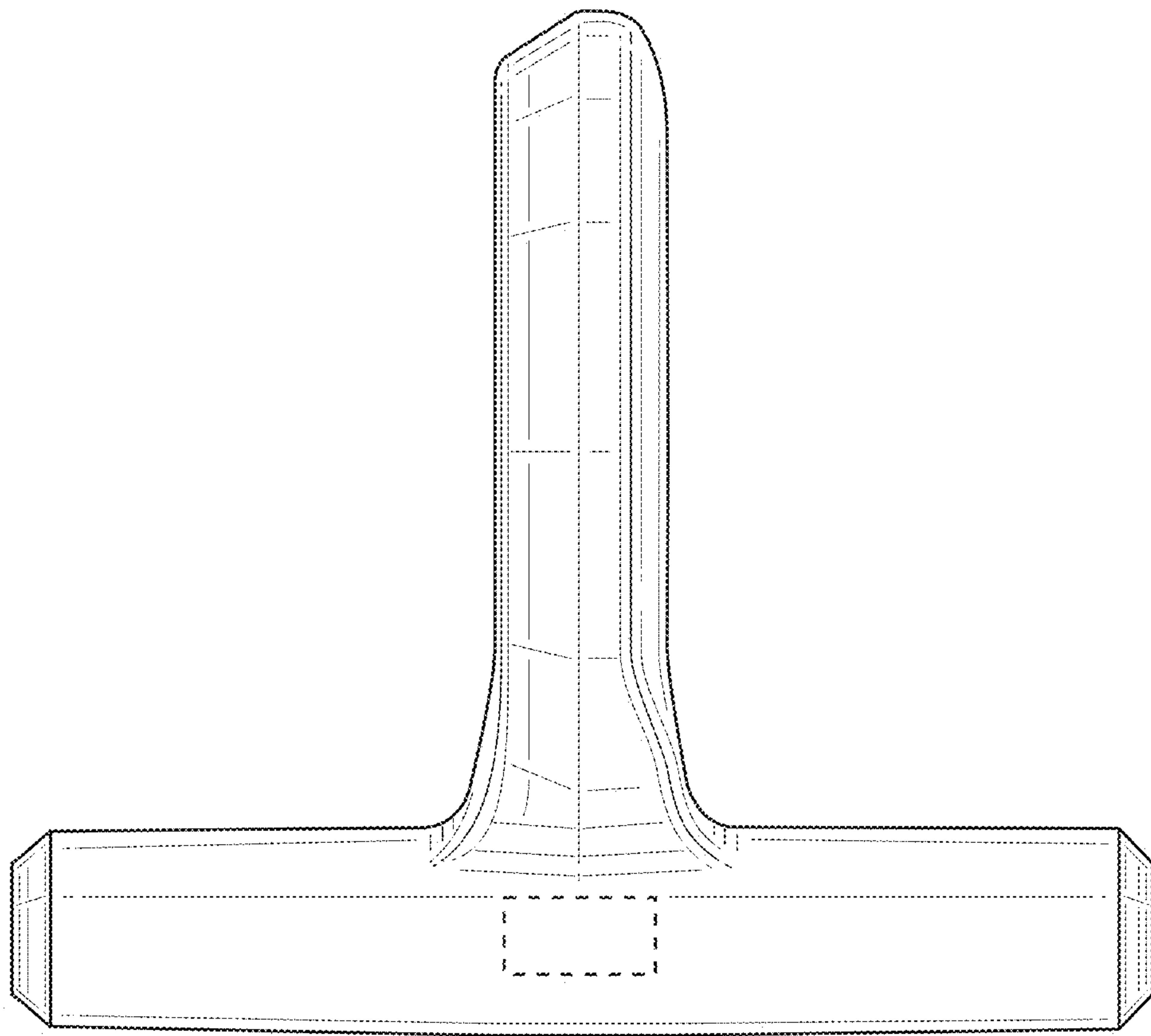


**FIG. 5**



**FIG. 6**





**FIG. 7**