



US00D935874S

(12) **United States Design Patent** (10) **Patent No.:** **US D935,874 S**
Blocker (45) **Date of Patent:** **** Nov. 16, 2021**

(54) **DEVICE FOR SECURING AN ANIMAL**

D565,939 S * 4/2008 Newbould D8/367
D579,322 S * 10/2008 Newbould D8/367
D607,713 S 1/2010 Andrew

(Continued)

(71) Applicant: **Ted L. Blocker**, Estacada, OR (US)

(72) Inventor: **Ted L. Blocker**, Estacada, OR (US)

(**) Term: **15 Years**

FOREIGN PATENT DOCUMENTS

EP 2660082 B1 8/2016

(21) Appl. No.: **29/784,247**

OTHER PUBLICATIONS

(22) Filed: **May 18, 2021**

Horse & Rider, "Mecate Tie Rope," retrieved from the internet on Apr. 28, 2020, from <https://horseandrider.com/gear/mecate-tie-rope>, published Jan. 19, 2018, updated Oct. 11, 2018, 4 pages.

(51) **LOC (13) Cl.** **08-05**

(Continued)

(52) **U.S. Cl.**

USPC **D8/367**

(58) **Field of Classification Search**

USPC D8/367, 356, 354, 349, 18, 105, 368,
D8/397; 248/205.3

CPC A44B 13/0029; F16B 45/00; F16B 47/003;
A45F 5/021; F16M 13/02

See application file for complete search history.

Primary Examiner — Cynthia R Underwood

(74) *Attorney, Agent, or Firm* — Kolisch Hartwell, P.C.

(57) **CLAIM**

The ornamental design for a device for securing an animal, as shown and described.

DESCRIPTION

(56) **References Cited**

U.S. PATENT DOCUMENTS

304,188 A	8/1884	Eastman	
2,275,007 A *	3/1942	Caestecker A47G 25/0607 248/205.1
2,679,998 A *	6/1954	Bernhard F16B 47/003 248/205.3
2,765,998 A *	10/1956	Engert A47G 1/17 248/467
D265,446 S	7/1982	Valli	
D307,539 S *	5/1990	Goodman D8/367
D345,497 S *	3/1994	Miller D8/367
D390,014 S *	2/1998	Ho D6/323
D397,256 S *	8/1998	Moore D6/323
D458,535 S	6/2002	Henderson	
D554,481 S *	11/2007	Newbould D8/367
D554,482 S *	11/2007	Hager D8/367
D555,365 S *	11/2007	Berberet D6/323
D557,171 S *	12/2007	Davison D11/82

FIG. 1 is a bottom, front, and right side view of a device for securing an animal;

FIG. 2 is a front view thereof;

FIG. 3 is a back view thereof;

FIG. 4 is a right side view thereof;

FIG. 5 is a left side view thereof;

FIG. 6 is a bottom view thereof; and,

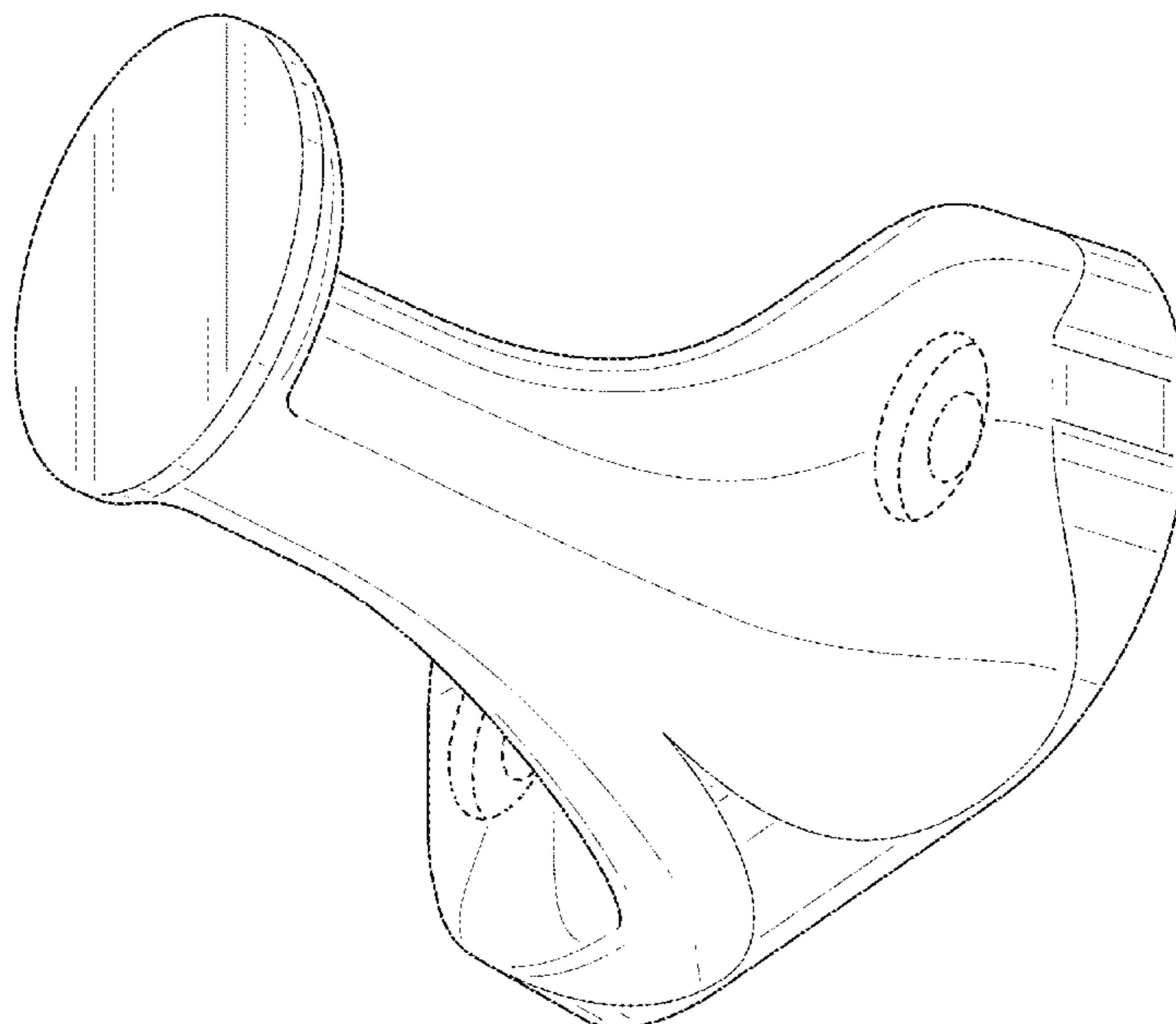
FIG. 7 is a top view thereof.

The broken line(s) shown in the drawings are for illustrative purposes only and form no part of the claimed design.

The shading lines shown in the drawings represent the approximate three-dimensional contour of the design, and are not intended to indicate surface decoration.

Portions of the device for securing an animal that are not shown in the drawing(s) form no part of the claimed design.

1 Claim, 7 Drawing Sheets



(56)

References Cited

U.S. PATENT DOCUMENTS

7,833,620 B2 * 11/2010 Enserink F16B 47/003
248/205.3
D632,951 S * 2/2011 McGreevy D8/367
D641,228 S * 7/2011 Qiblawi D8/367
D667,293 S * 9/2012 Thompson D8/367
D672,223 S * 12/2012 Thompson D8/356
D678,041 S * 3/2013 Pan D8/367
D680,804 S * 4/2013 Gilboe D7/367
D682,663 S * 5/2013 Evon D8/367
D687,686 S * 8/2013 Robinson D8/14
D697,387 S * 1/2014 Starck D8/367
D697,388 S * 1/2014 Pan D8/367
D697,389 S * 1/2014 Pan D8/367
D707,111 S * 6/2014 Callif D8/367
D714,622 S * 10/2014 Pan D8/367
D714,623 S * 10/2014 Pan D8/367
D715,133 S * 10/2014 Pan D8/367
D715,625 S * 10/2014 Pan D8/367
D715,626 S * 10/2014 Pan D8/367
D718,184 S * 11/2014 Nealon D11/202
9,301,658 B1 4/2016 Boeltl
D759,469 S * 6/2016 Garland D8/367
D769,700 S * 10/2016 Chinchon D8/356
D790,328 S 6/2017 Hall
D793,281 S * 8/2017 Maier D11/234

D817,749 S * 5/2018 Ryu D8/367
D817,830 S * 5/2018 Archambault D12/190
D840,793 S * 2/2019 Hattori D8/367
D842,082 S * 3/2019 Thompson D8/367
D852,611 S * 7/2019 Shoenhair D8/367
D864,697 S 10/2019 Gnocchini
2005/0126133 A1 * 6/2005 Blocker B68B 11/00
54/71
2014/0027592 A1 1/2014 Kusiak
2019/0257469 A1 8/2019 Ullah et al.

OTHER PUBLICATIONS

TC Fixings, "Heavy Duty L Hooks," retrieved from the internet on Apr. 17, 2020 from <https://www.tcfixings.co.uk/main/maincat/getCatitem/L-Hooks/804/0/0/1/12>, published at least as early as Apr. 17, 2020, 3 pages.

Worthpoint, "Antique Solid Brass Saddle Horn.NR," retrieved from the internet on Apr. 24, 2020, from <https://www.worthpoint.com/worthopedia/antique-solid-brass-saddle-horn-nr-151925941>, published at least as early as Apr. 24, 2020, 1 page.

Ever Hardware, "Stand Off Bolts Metric Spacers Standoff Electrical Standoff Fasteners," retrieved from the internet on Apr. 18, 2021 from <https://ever-hardware.com/stand-off-bolts-metric-spacers-standoff.html>, published Aug. 20, 2020, 3 pages.

* cited by examiner

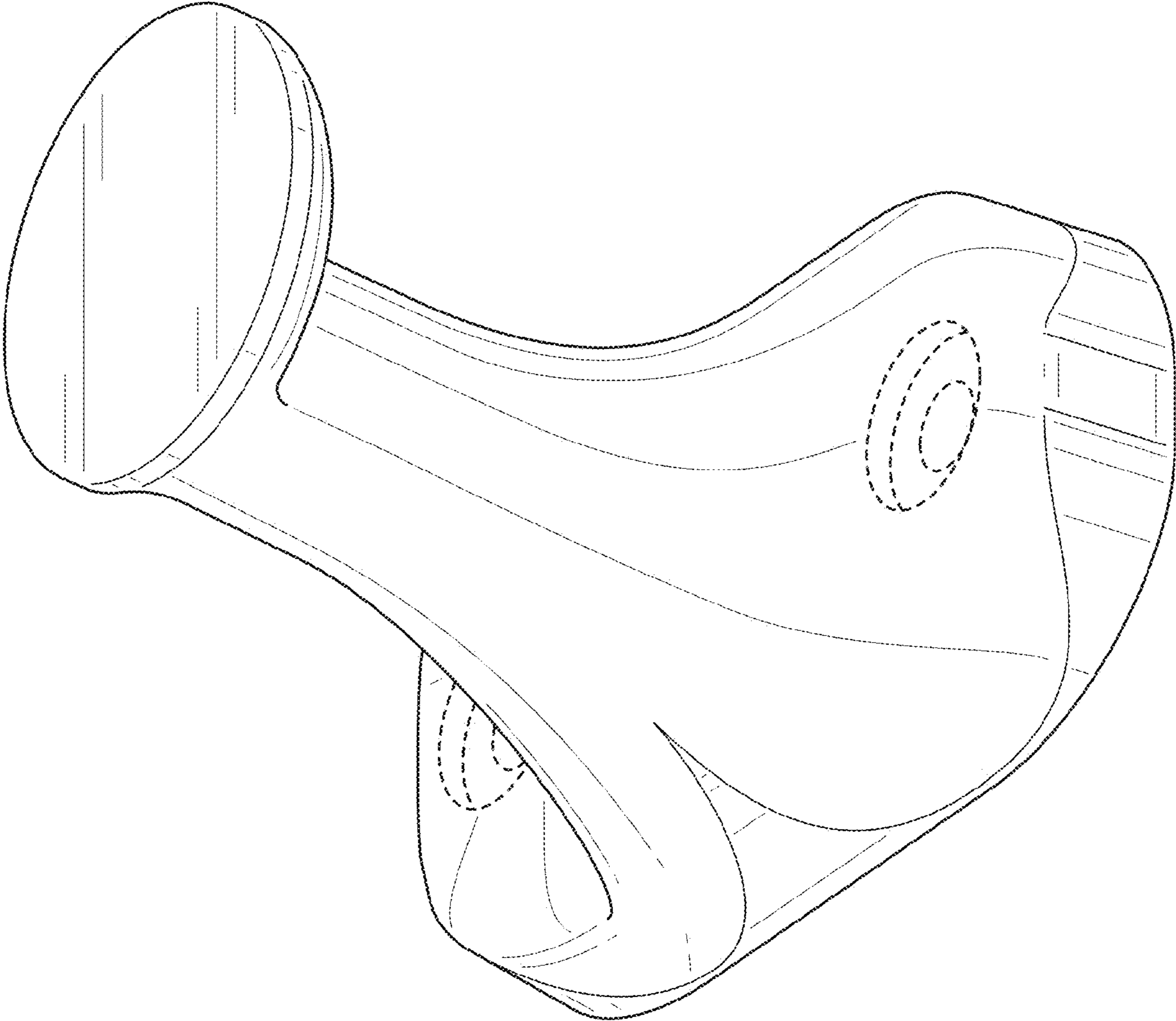


FIG. 1

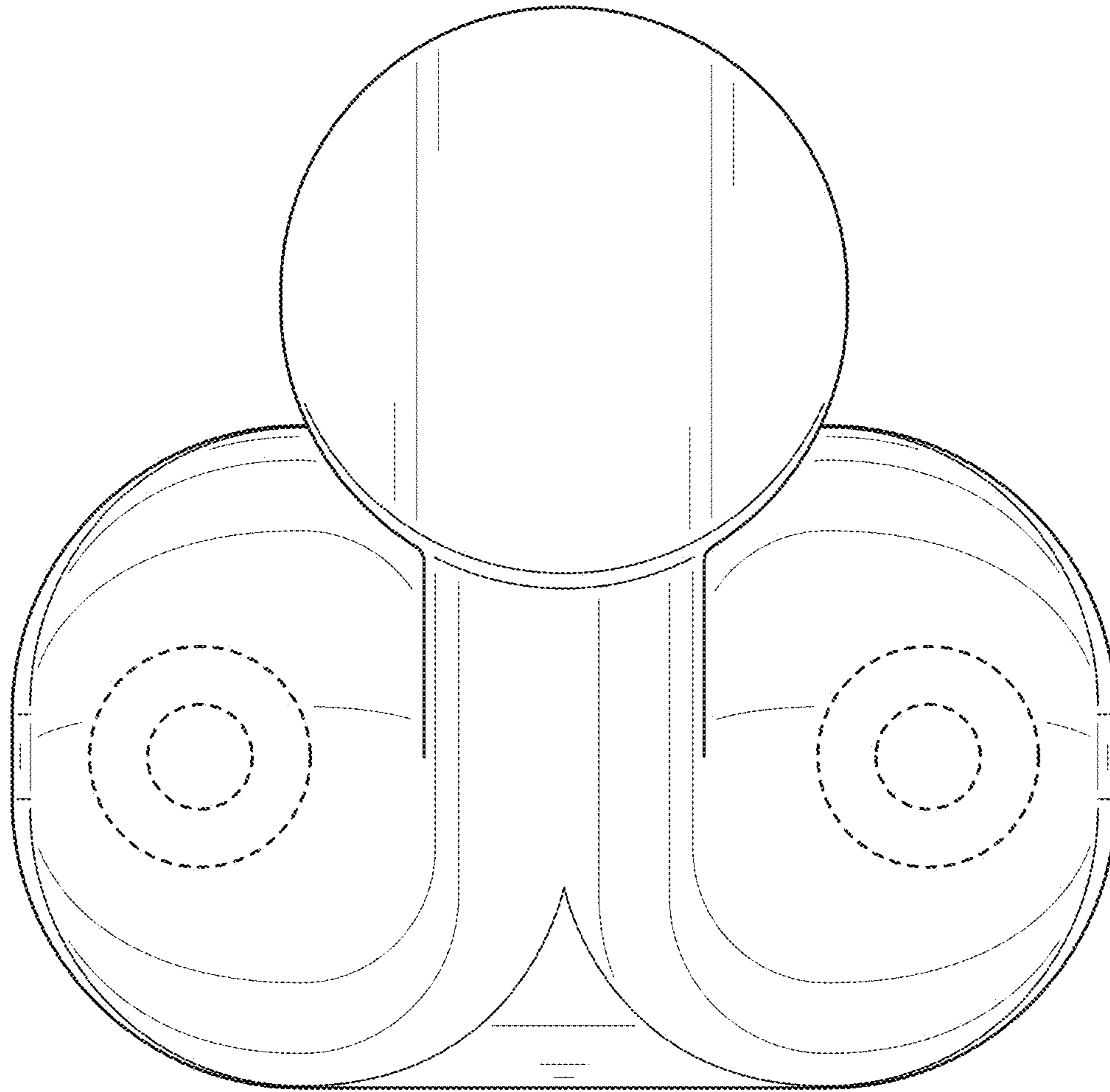


FIG. 2

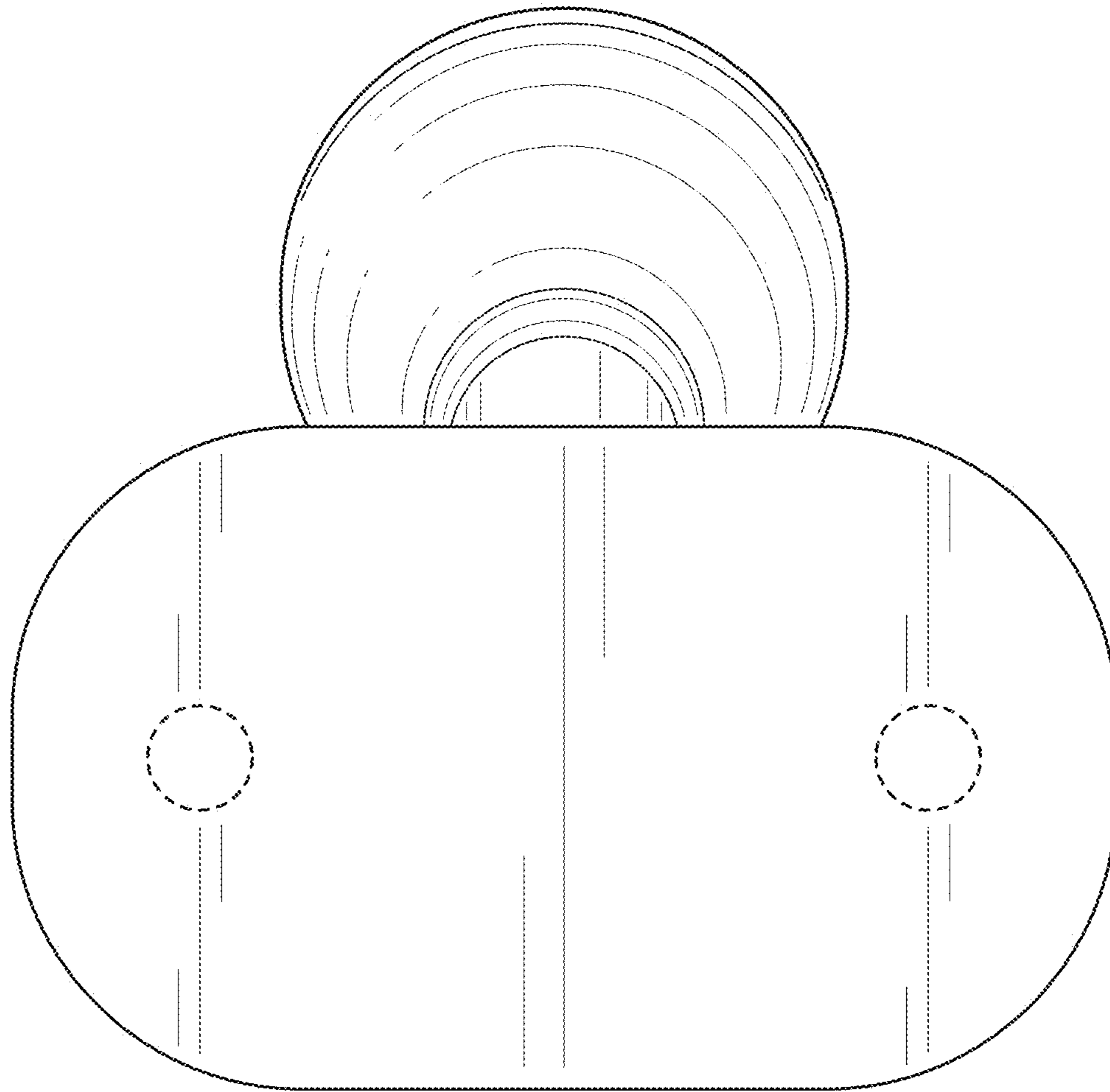


FIG. 3

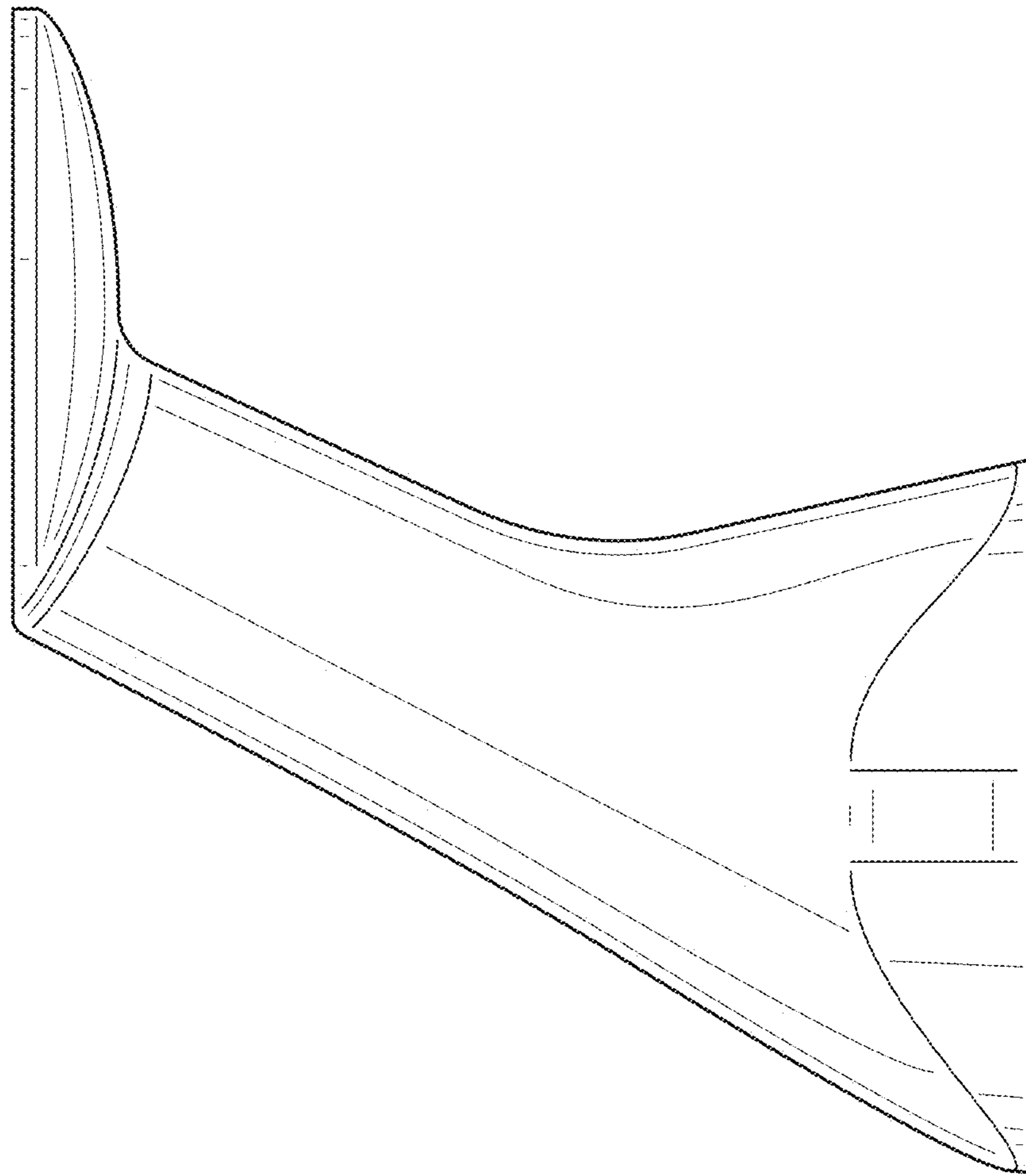


FIG. 4

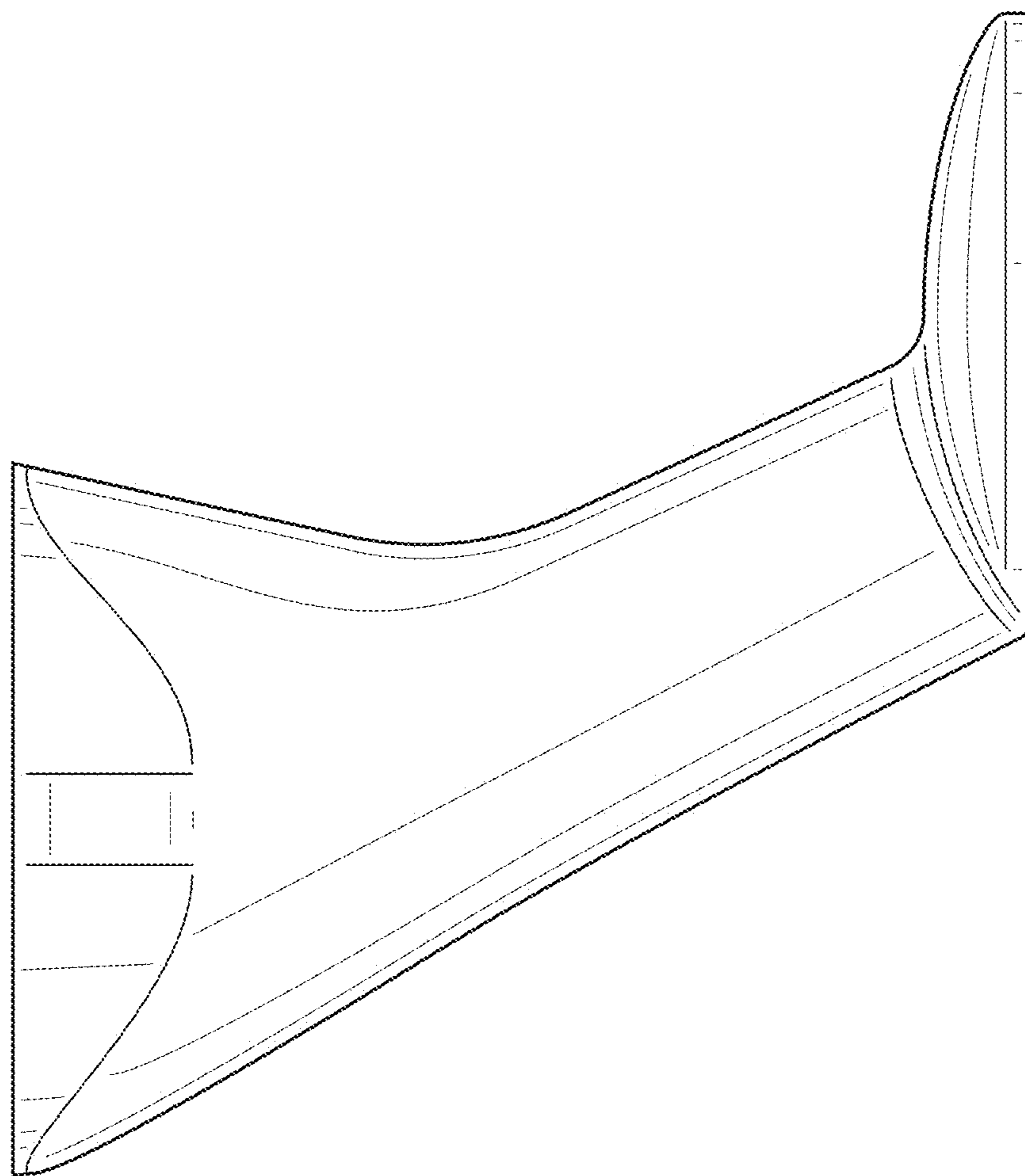


FIG. 5

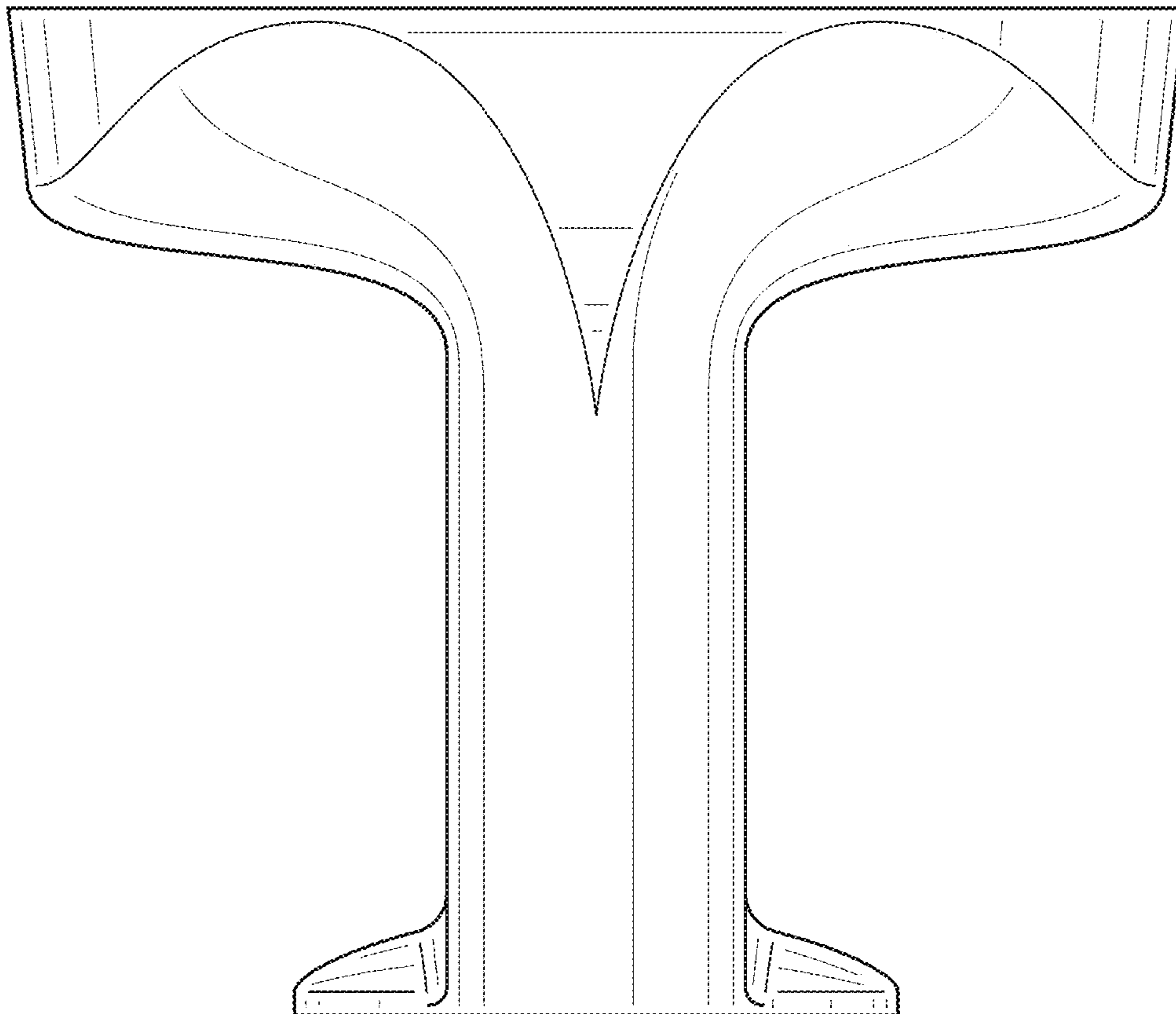


FIG. 6

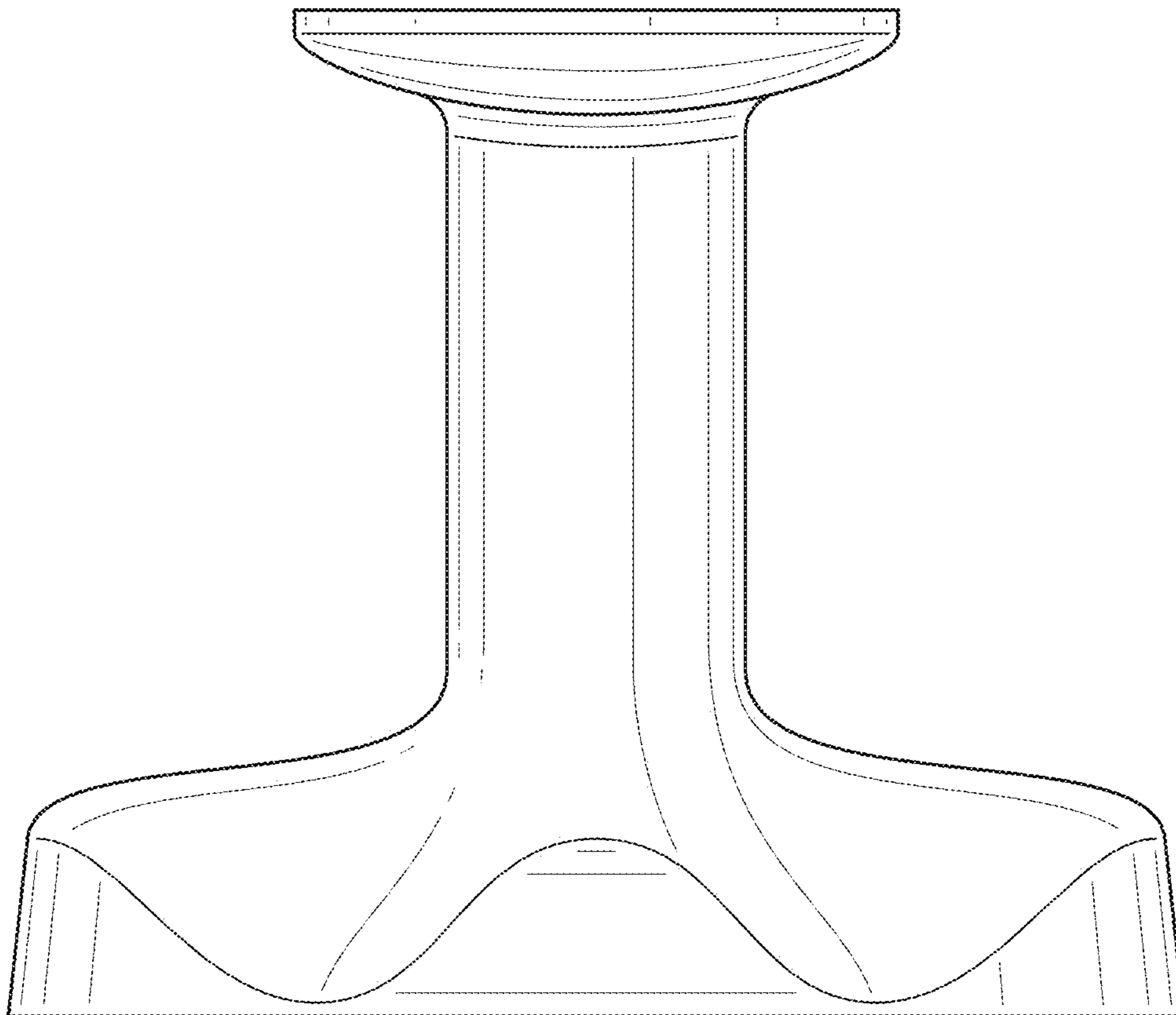


FIG. 7