



US00D935872S

(12) **United States Design Patent** (10) **Patent No.:** **US D935,872 S**  
**Chen** (45) **Date of Patent:** **\*\* Nov. 16, 2021**

(54) **DISPLAY MOUNT**

(71) Applicant: **Shenzhen Prime Technology Co., Ltd,**  
Shenzhen (CN)

(72) Inventor: **Huasheng Chen,** Shenzhen (CN)

(\*\*) Term: **15 Years**

(21) Appl. No.: **29/755,187**

(22) Filed: **Oct. 19, 2020**

(51) **LOC (13) Cl.** ..... **08-05**

(52) **U.S. Cl.**  
USPC ..... **D8/363; D14/239**

(58) **Field of Classification Search**  
USPC ..... D8/380, 366, 376, 377, 363, 355, 354;  
D6/553; D25/121, 119; D14/239, 452  
CPC ..... H04N 5/655  
See application file for complete search history.

(56) **References Cited**

**U.S. PATENT DOCUMENTS**

D493,800 S *	8/2004	Pfister	.....	D14/451
D538,632 S	3/2007	Ly Hau et al.		
D539,636 S *	4/2007	Bremmon	.....	D8/363
D540,154 S *	4/2007	Bremmon	.....	D8/363
D558,564 S *	1/2008	Ciungan	.....	D14/452
D561,562 S *	2/2008	Wohlford	.....	D14/451
D563,416 S *	3/2008	Bremmon	.....	D14/452
D563,962 S *	3/2008	Grey	.....	D14/452
D565,054 S *	3/2008	Anderson	.....	D14/452

D565,399 S *	4/2008	Grey	.....	D8/380
D580,445 S *	11/2008	Bremmon	.....	D14/451
D580,743 S *	11/2008	Short	.....	D14/452
D888,027 S *	6/2020	Pei	.....	D14/239
D914,660 S *	3/2021	Chen	.....	D14/239
D915,366 S *	4/2021	Shu	.....	D14/239
D916,063 S *	4/2021	Lyu	.....	D14/239
D916,710 S *	4/2021	Jia	.....	D14/452
D918,189 S *	5/2021	Lu	.....	D14/239
D921,621 S *	6/2021	Zou	.....	D14/239
D924,857 S *	7/2021	Lyu	.....	D14/239

\* cited by examiner

*Primary Examiner* — Eliza Z Bennett-Hattan

(74) *Attorney, Agent, or Firm* — W&K IP

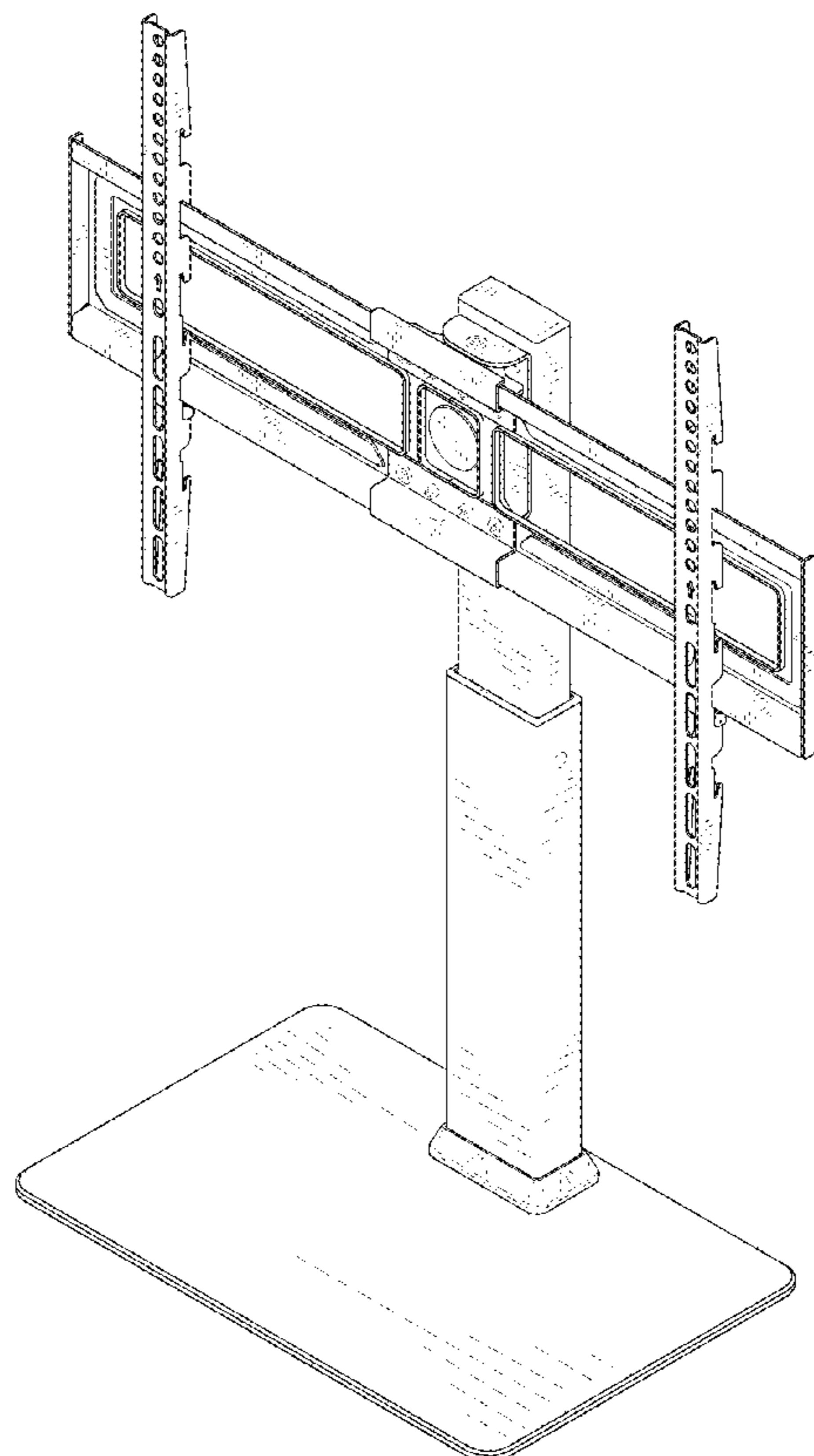
(57) **CLAIM**

The ornamental design for a display mount, as shown and described.

**DESCRIPTION**

FIG. 1 is a perspective view of a display mount showing my new design;  
FIG. 2 is a front view thereof;  
FIG. 3 is a rear view thereof;  
FIG. 4 is a left side view thereof;  
FIG. 5 is a right side view thereof;  
FIG. 6 is a top plan view thereof; and,  
FIG. 7 is a bottom plan view thereof.  
The broken lines where present illustrate portions of the display mount that form no part of the claimed design.

**1 Claim, 7 Drawing Sheets**



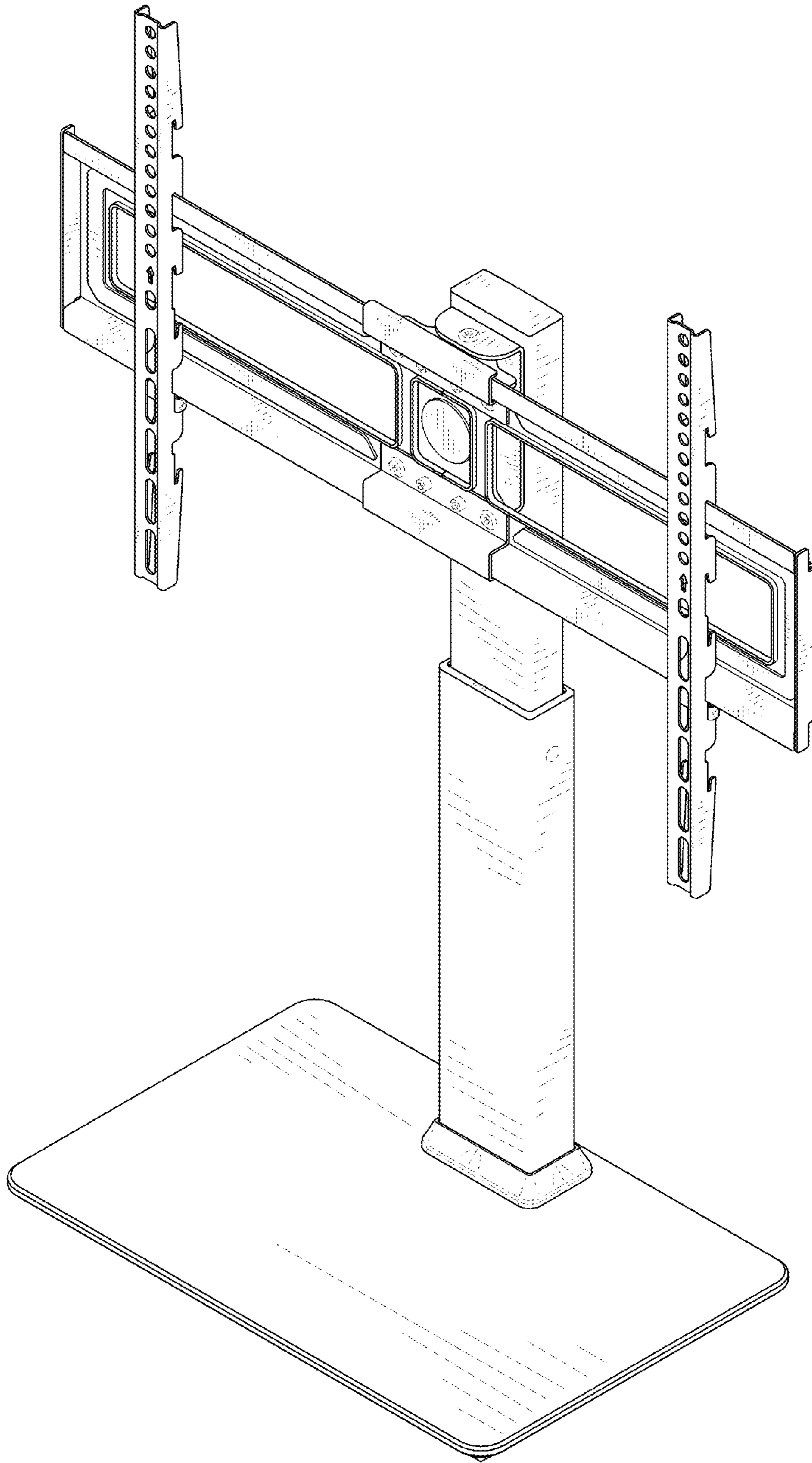


FIG.1

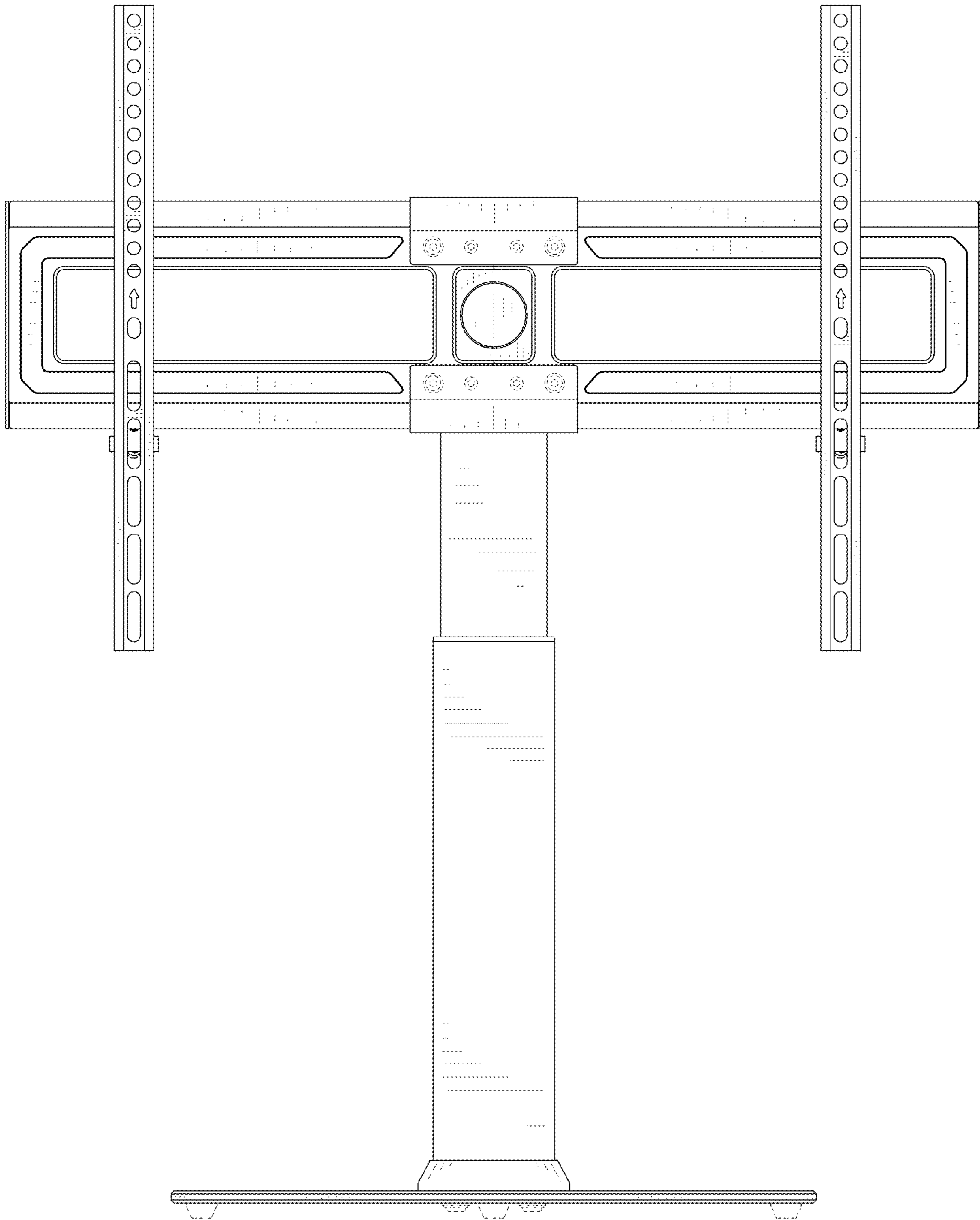


FIG. 2

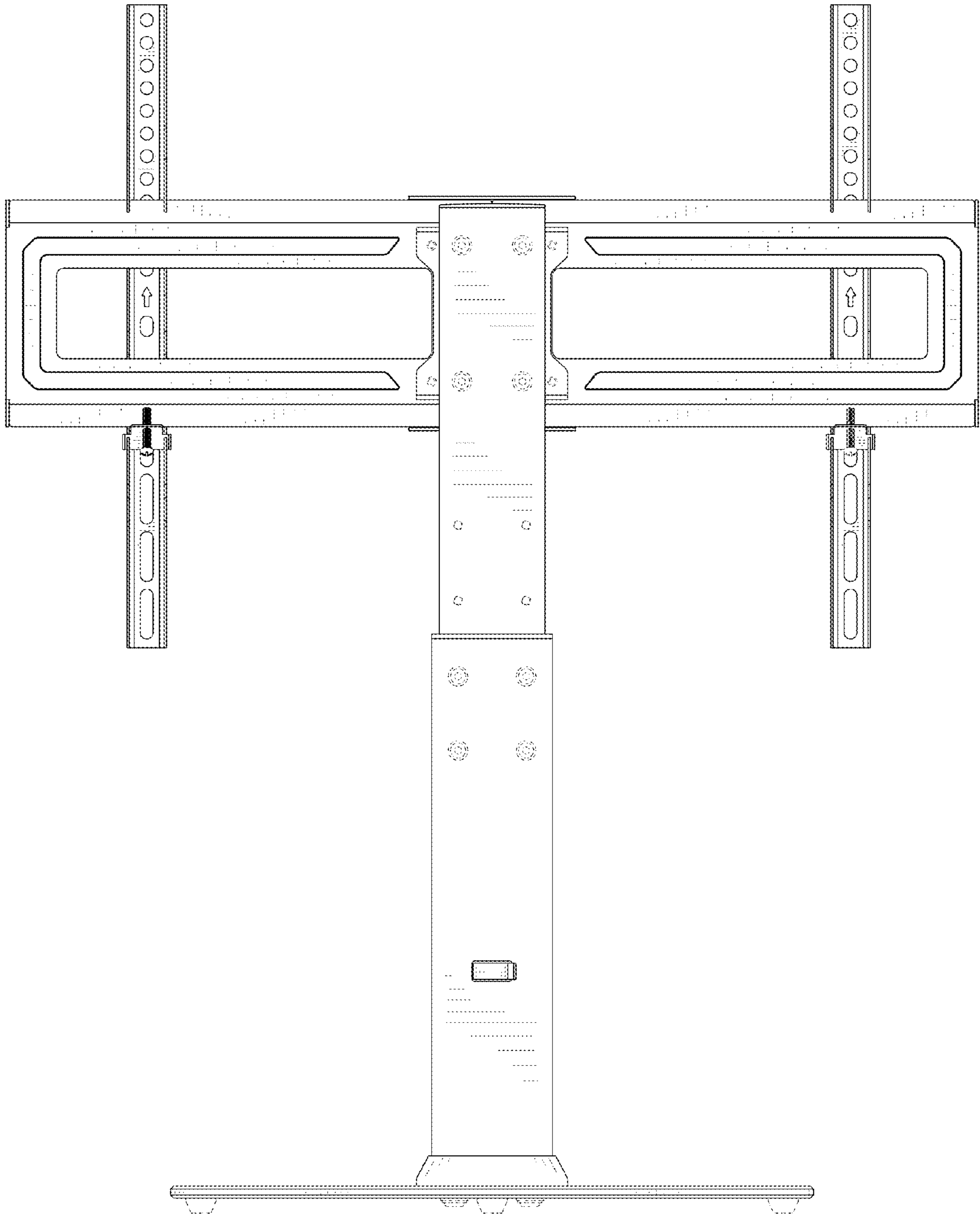


FIG. 3

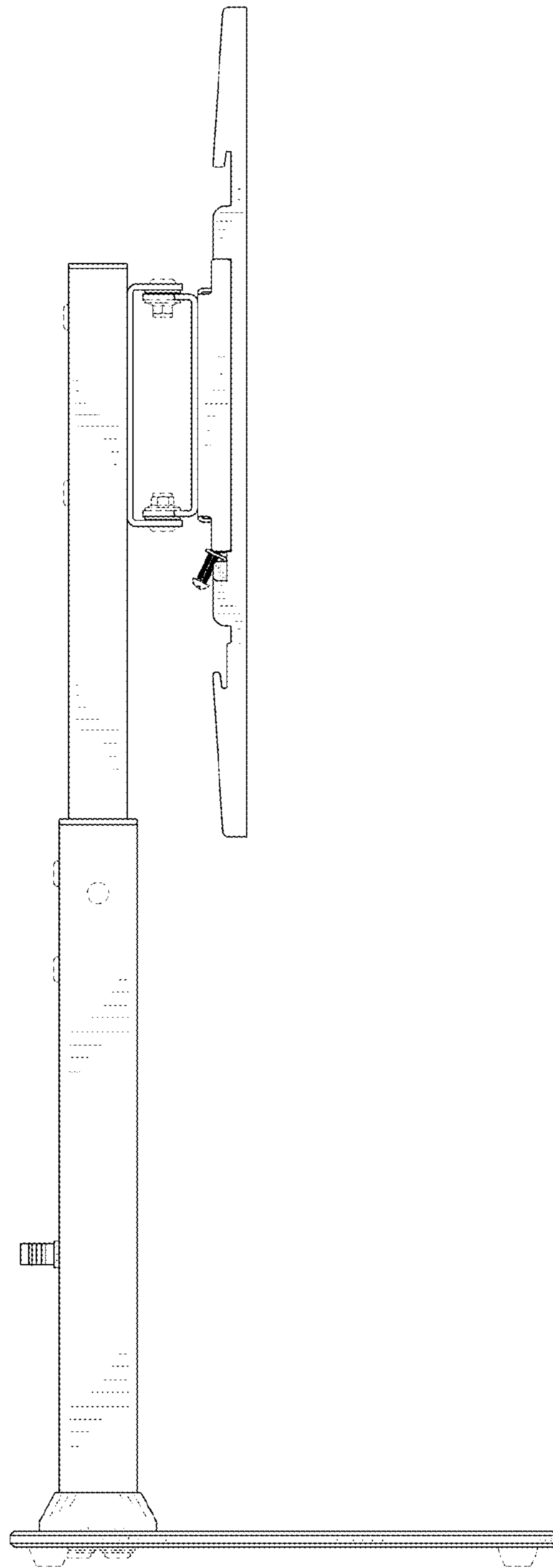


FIG. 4

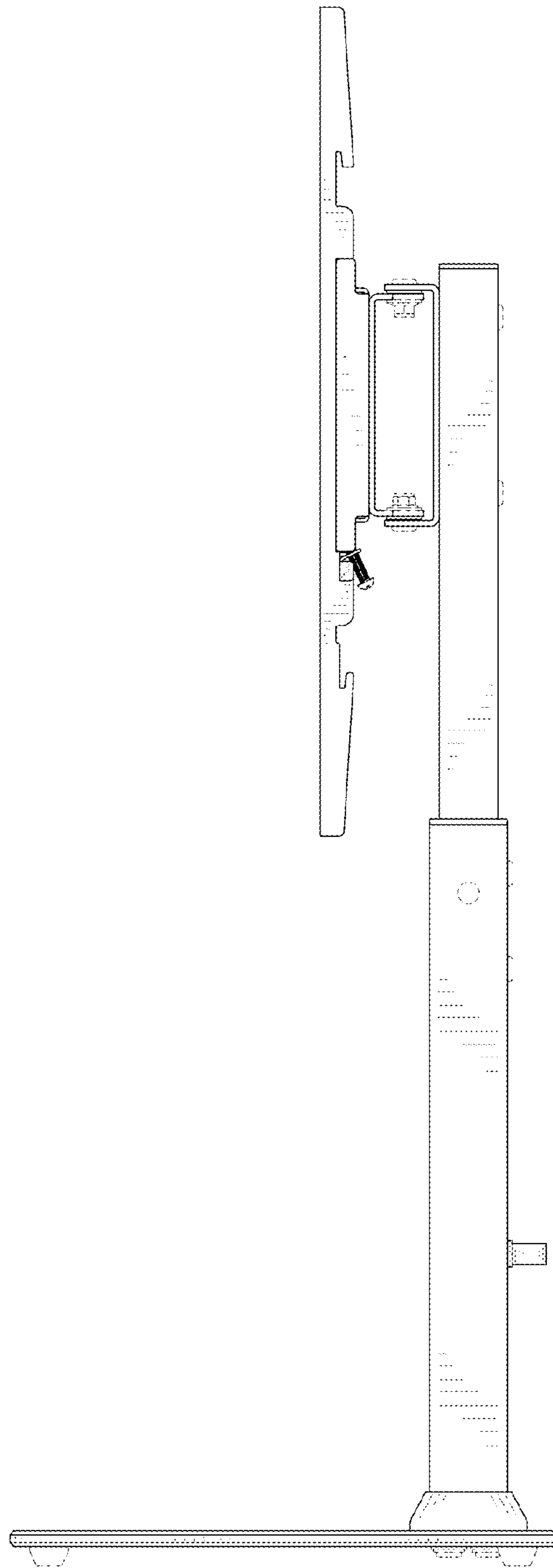


FIG. 5

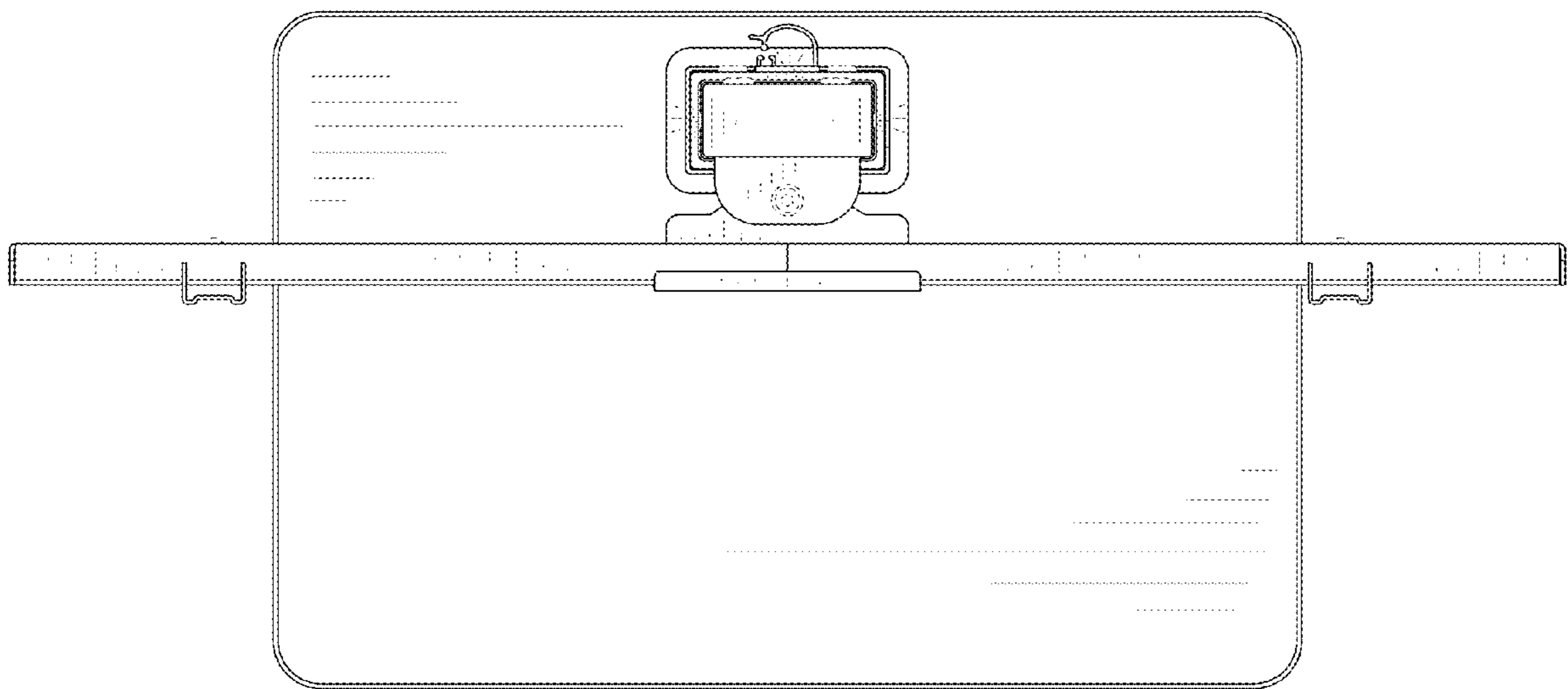


FIG. 6

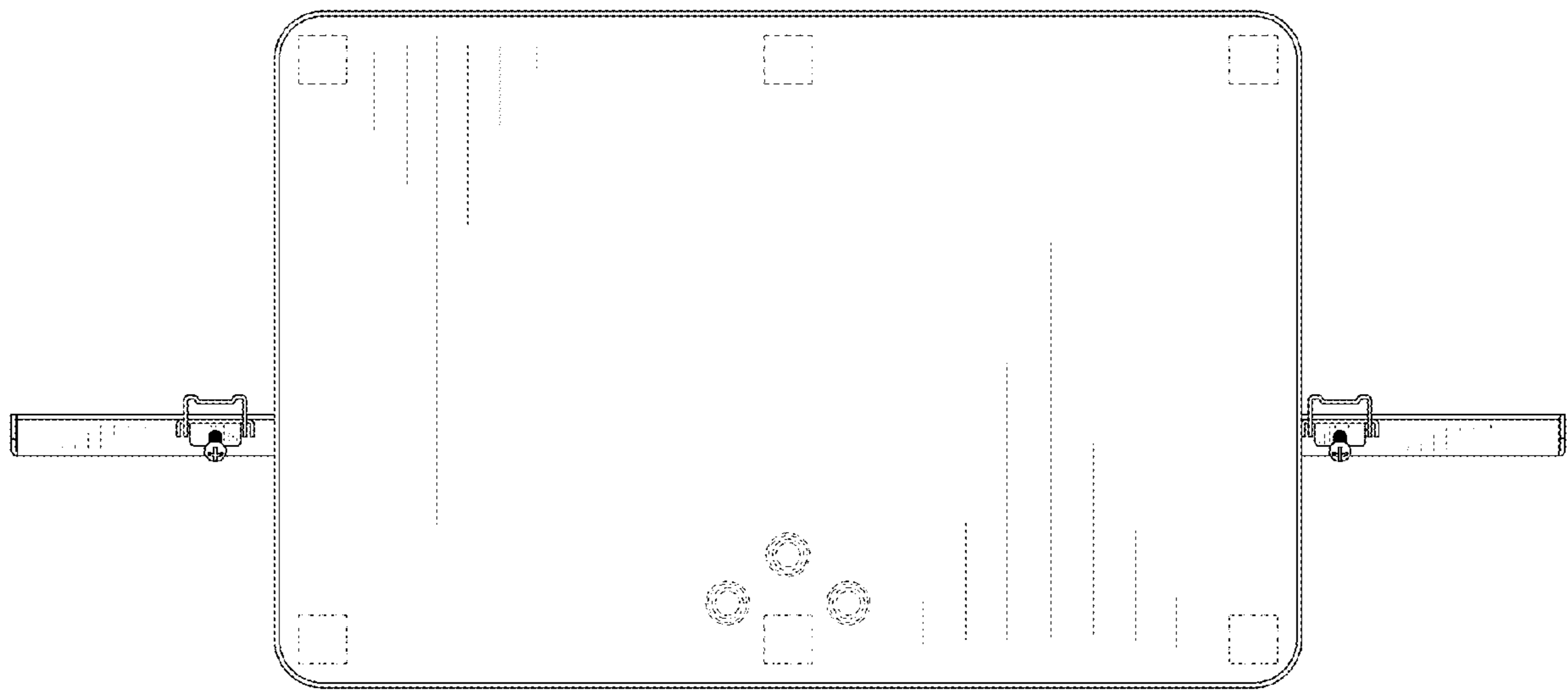


FIG. 7