



US00D935871S

(12) **United States Design Patent**  
**Lu**

(10) **Patent No.:** **US D935,871 S**

(45) **Date of Patent:** **\*\* Nov. 16, 2021**

(54) **DISPLAY MOUNT**

(71) Applicant: **Shenzhen Prime Technology Co., Ltd,**  
Shenzhen (CN)

(72) Inventor: **Chengan Lu,** Shenzhen (CN)

(\*\*) Term: **15 Years**

(21) Appl. No.: **29/752,214**

(22) Filed: **Sep. 25, 2020**

(51) **LOC (13) Cl.** ..... **08-05**

(52) **U.S. Cl.**  
USPC ..... **D8/363; D14/239**

(58) **Field of Classification Search**  
USPC ..... D8/380, 366, 376, 377, 363, 355, 354;  
D6/553; D25/121, 119; D14/239, 452  
CPC ..... H04N 5/655  
See application file for complete search history.

(56) **References Cited**

**U.S. PATENT DOCUMENTS**

D493,800 S *	8/2004	Pfister .....	D14/451
D539,636 S *	4/2007	Bremmon .....	D8/363
D540,154 S *	4/2007	Bremmon .....	D8/363
D558,564 S *	1/2008	Ciungan .....	D14/452
D560,671 S	1/2008	Muday et al.	
D561,562 S *	2/2008	Wohlford .....	D14/451
D561,775 S	2/2008	Wohlford et al.	
D563,416 S *	3/2008	Bremmon .....	D14/452

D563,962 S *	3/2008	Grey .....	D14/452
D565,054 S *	3/2008	Anderson .....	D14/452
D565,399 S *	4/2008	Grey .....	D8/380
D580,445 S *	11/2008	Bremmon .....	D14/451
D580,743 S *	11/2008	Short .....	D14/452
D888,027 S *	6/2020	Pei .....	D14/239
D914,660 S *	3/2021	Chen .....	D14/239
D915,366 S *	4/2021	Shu .....	D14/239
D916,063 S *	4/2021	Lyu .....	D14/239
D916,710 S *	4/2021	Jia .....	D14/452
D918,189 S *	5/2021	Lu .....	D14/239
D921,621 S *	6/2021	Zou .....	D14/239
D924,857 S *	7/2021	Lyu .....	D14/239

\* cited by examiner

*Primary Examiner* — Eliza Z Bennett-Hattan

(74) *Attorney, Agent, or Firm* — W&K IP

(57) **CLAIM**

The ornamental design for a display mount, as shown and described.

**DESCRIPTION**

FIG. 1 is a perspective view of a display mount showing my new design;

FIG. 2 is a front view thereof;

FIG. 3 is a rear view thereof;

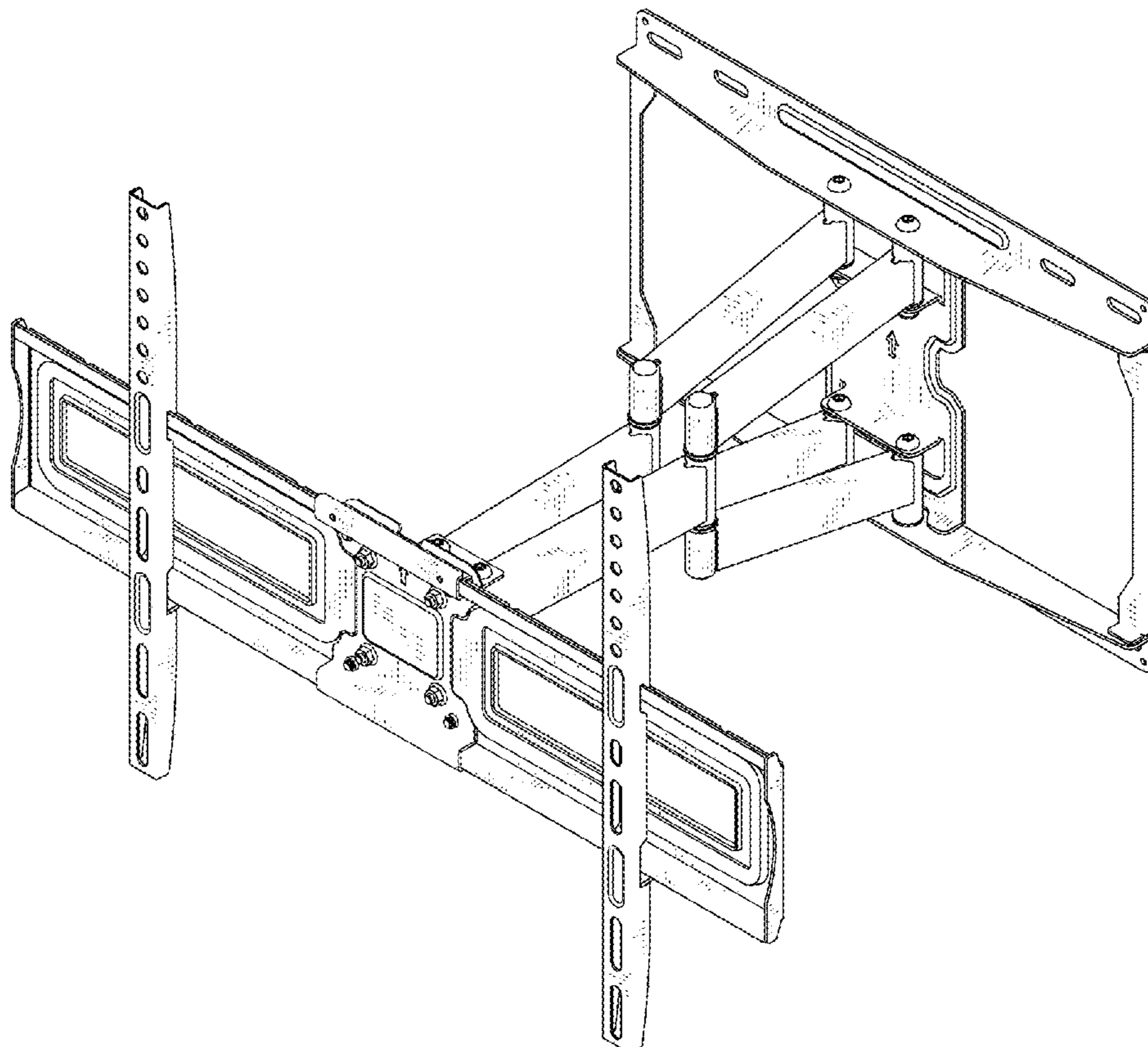
FIG. 4 is a left side view thereof;

FIG. 5 is a right side view thereof;

FIG. 6 is a top plan view thereof; and,

FIG. 7 is a bottom plan view thereof.

**1 Claim, 7 Drawing Sheets**



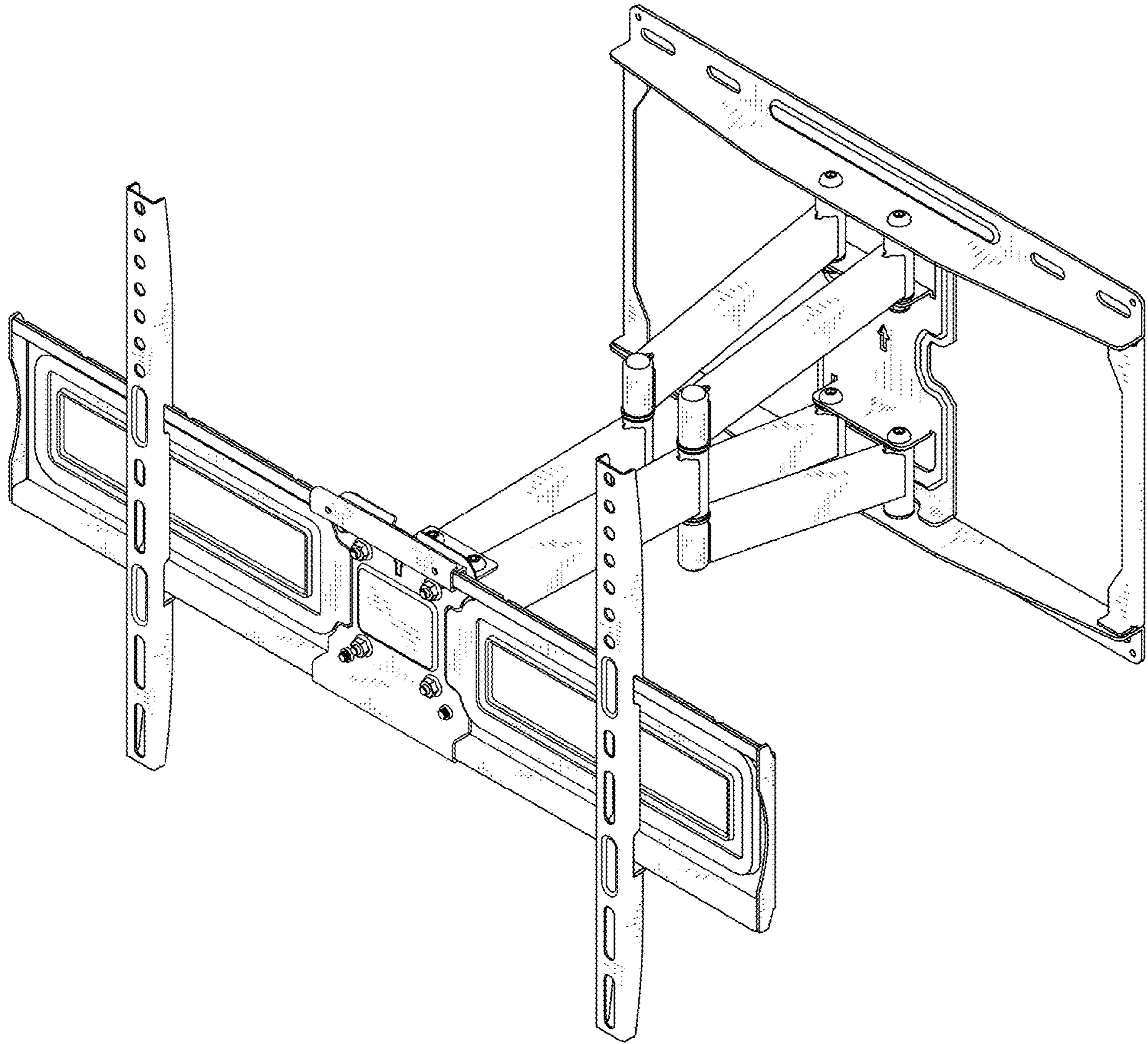


FIG.1

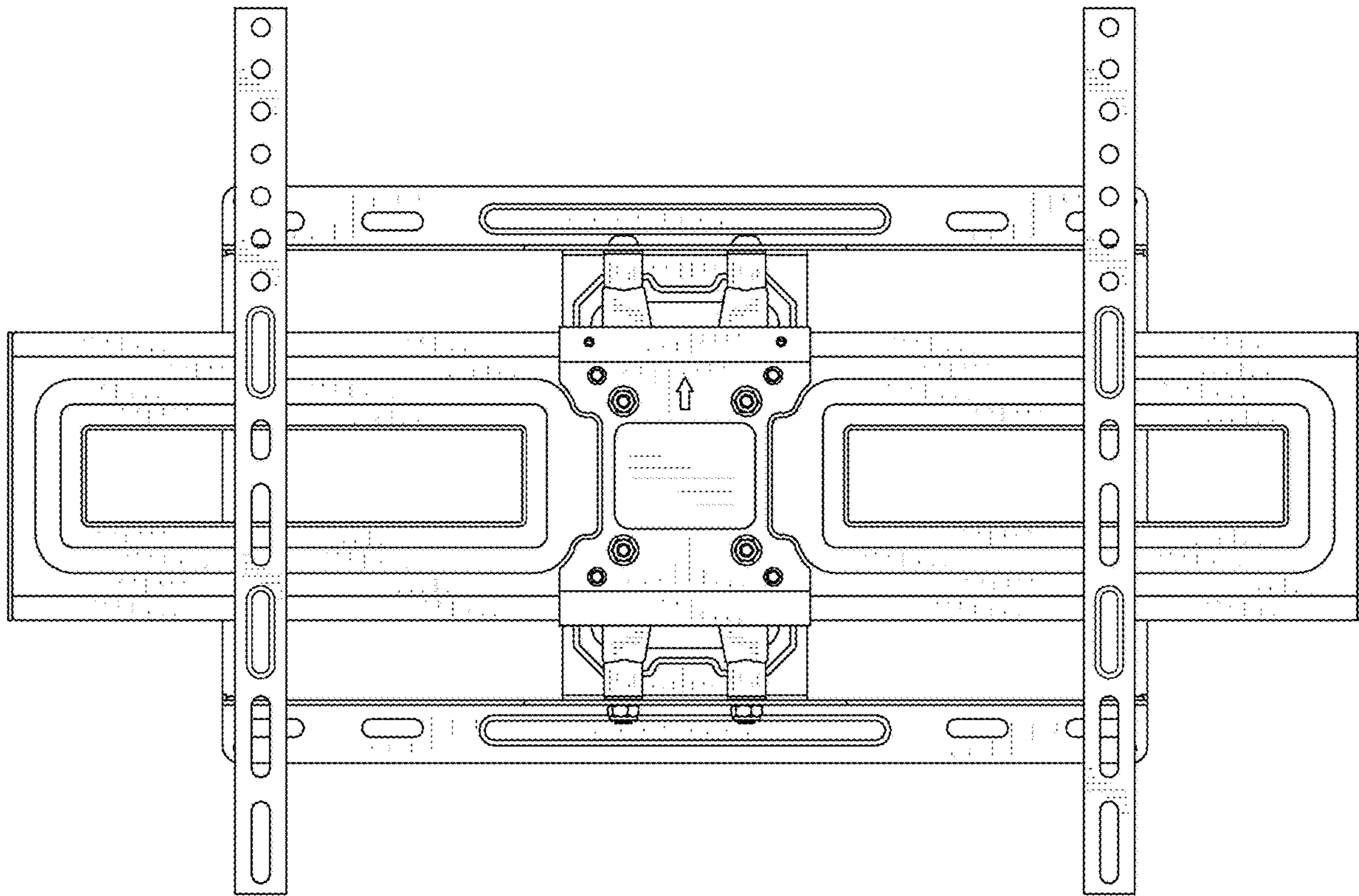


FIG. 2

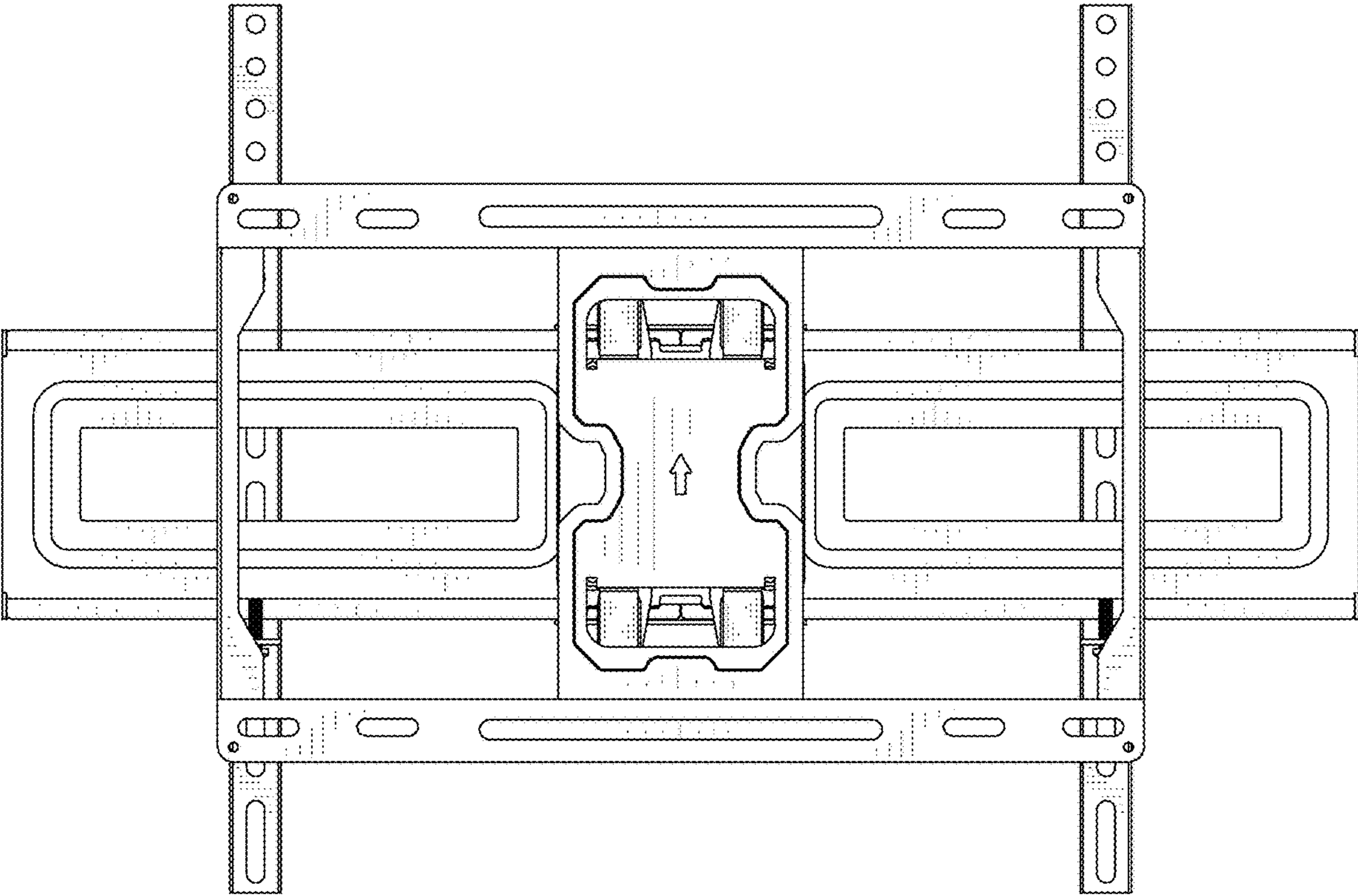


FIG. 3

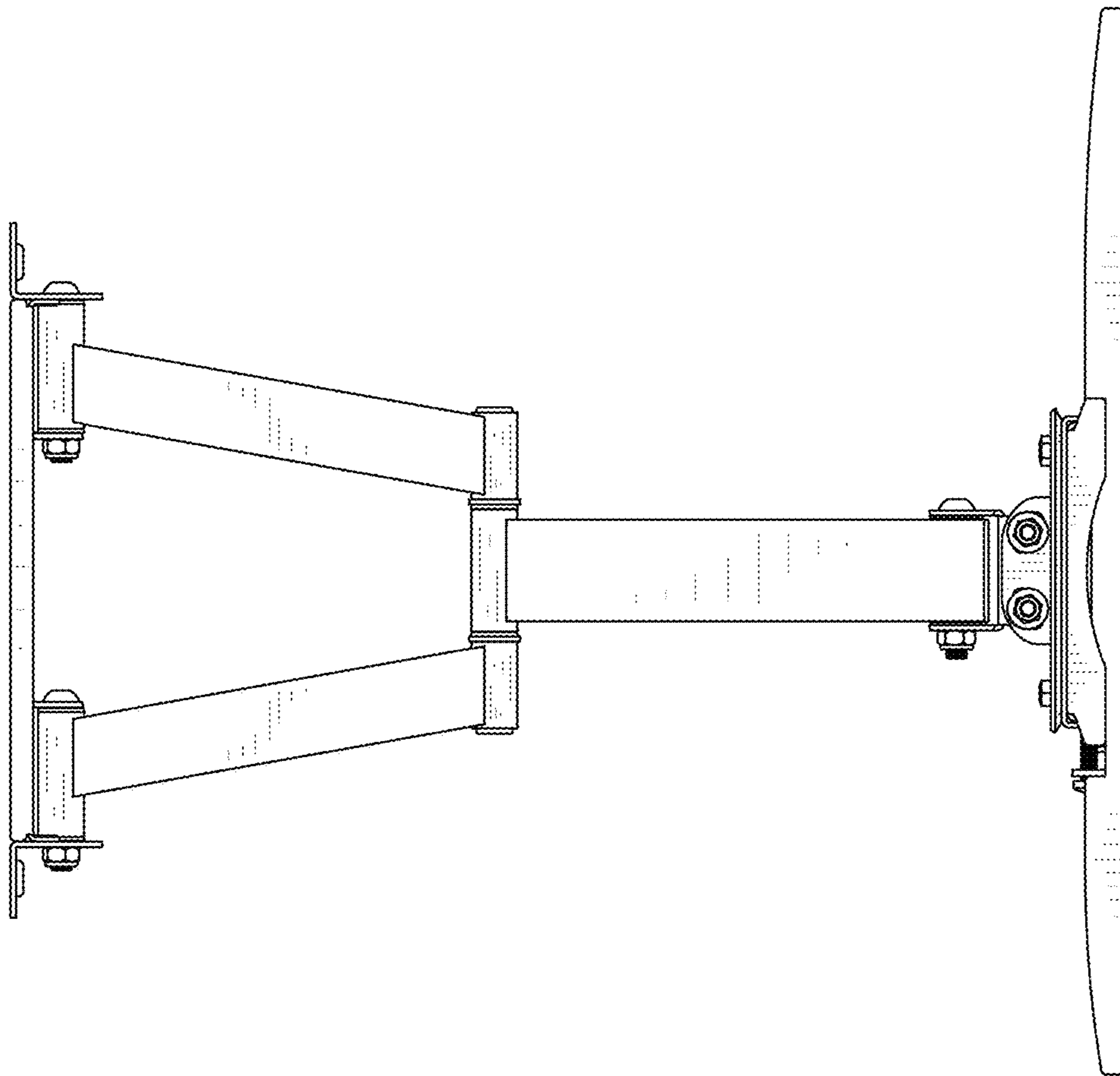


FIG. 4

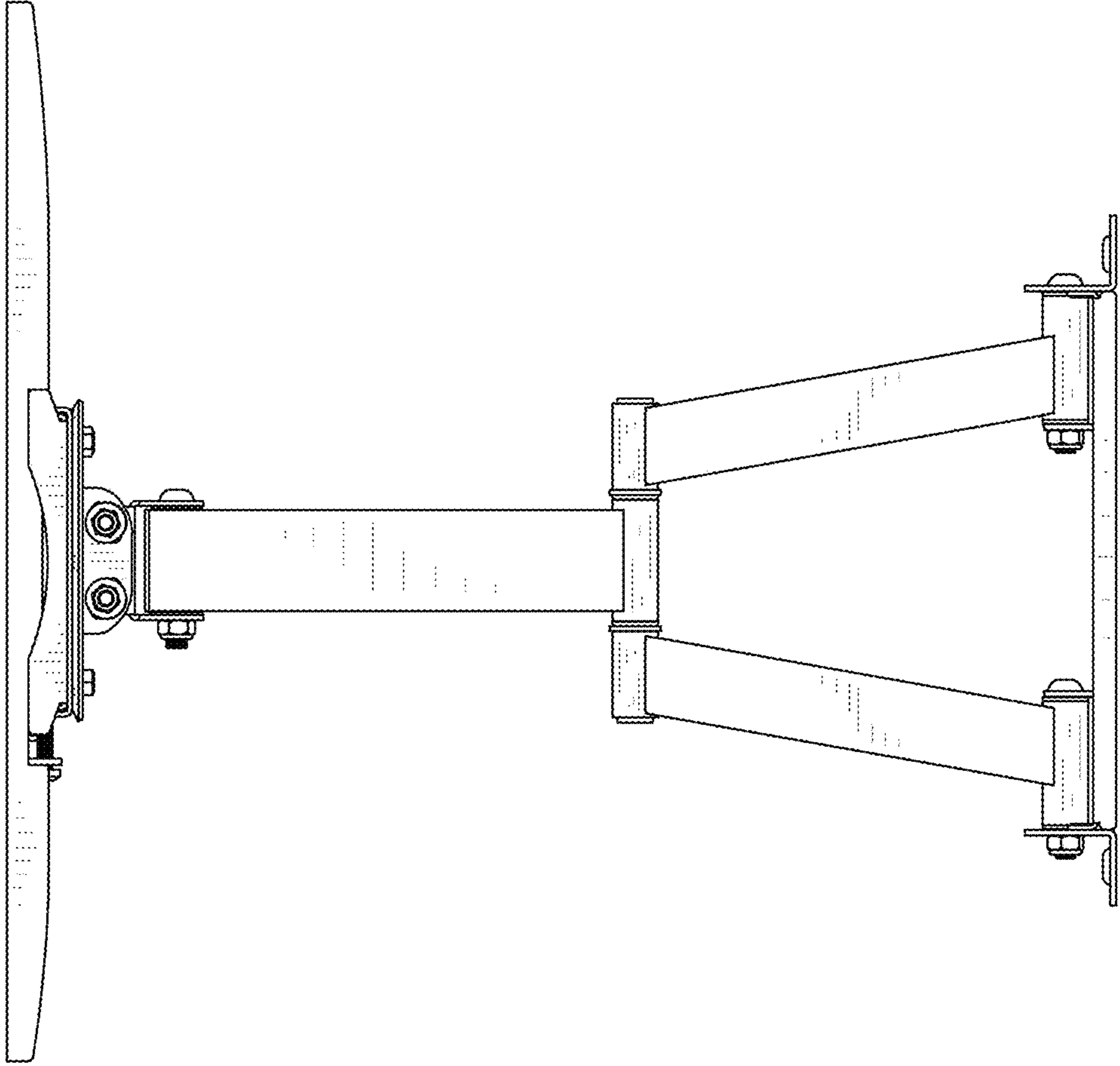


FIG.5

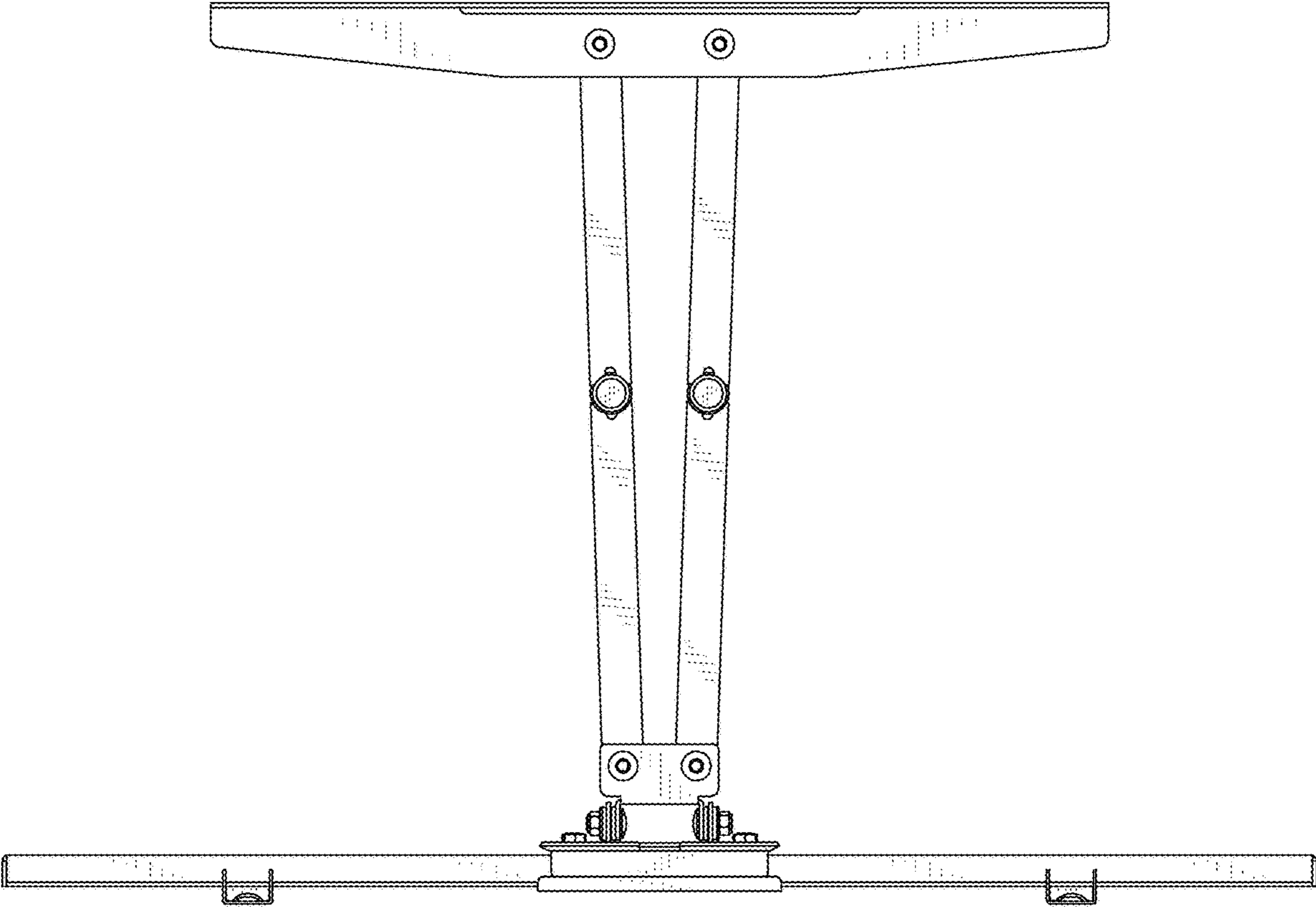


FIG. 6

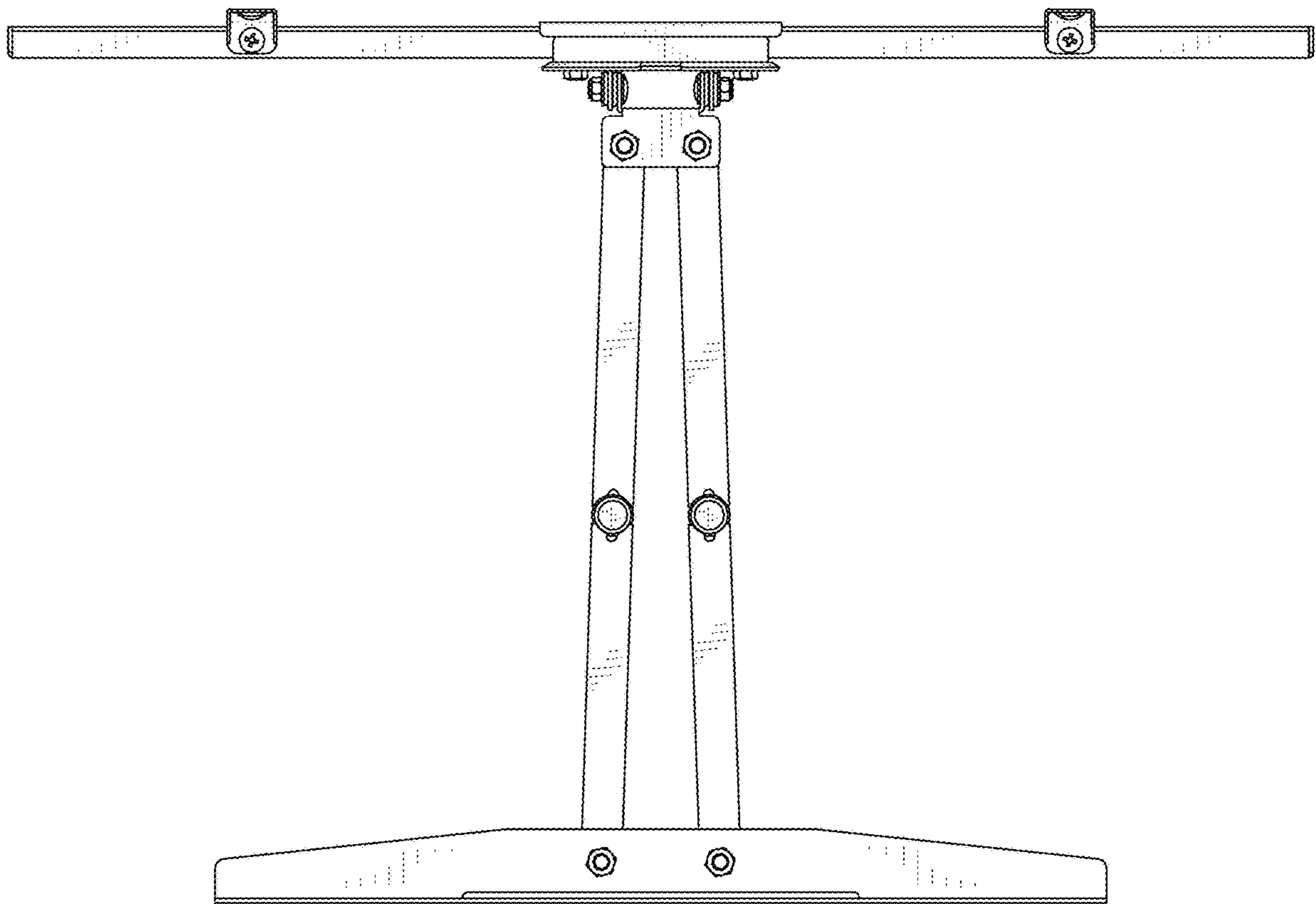


FIG. 7