



US00D935870S

(12) **United States Design Patent**
Chen

(10) **Patent No.:** **US D935,870 S**

(45) **Date of Patent:** **** Nov. 16, 2021**

(54) **DISPLAY MOUNT COMPONENT**

(71) Applicant: **Shenzhen Prime Technology Co., Ltd,**
Shenzhen (CN)

(72) Inventor: **Huasheng Chen,** Shenzhen (CN)

(**) Term: **15 Years**

(21) Appl. No.: **29/751,710**

(22) Filed: **Sep. 23, 2020**

(51) **LOC (13) Cl.** **08-05**

(52) **U.S. Cl.**
USPC **D8/363; D14/239**

(58) **Field of Classification Search**
USPC D8/380, 366, 376, 377, 363, 355, 354;
D6/553; D25/121, 119; D14/239, 452
CPC H04N 5/655
See application file for complete search history.

(56) **References Cited**

U.S. PATENT DOCUMENTS

D536,603 S * 2/2007 Worrall D8/363
D557,125 S * 12/2007 Worrall D14/452
D557,126 S * 12/2007 Worrall D14/452
D682,814 S 5/2013 Kadivar et al.
D689,502 S 9/2013 Belitz et al.

RE45,646 E * 8/2015 Ciungan D8/363
D918,024 S * 5/2021 Landgren D8/380
D922,364 S * 6/2021 Shu D14/239
D922,395 S * 6/2021 Shu D14/452
D923,018 S * 6/2021 Lu D14/452

* cited by examiner

Primary Examiner — Eliza Z Bennett-Hattan

(74) *Attorney, Agent, or Firm* — W&K IP

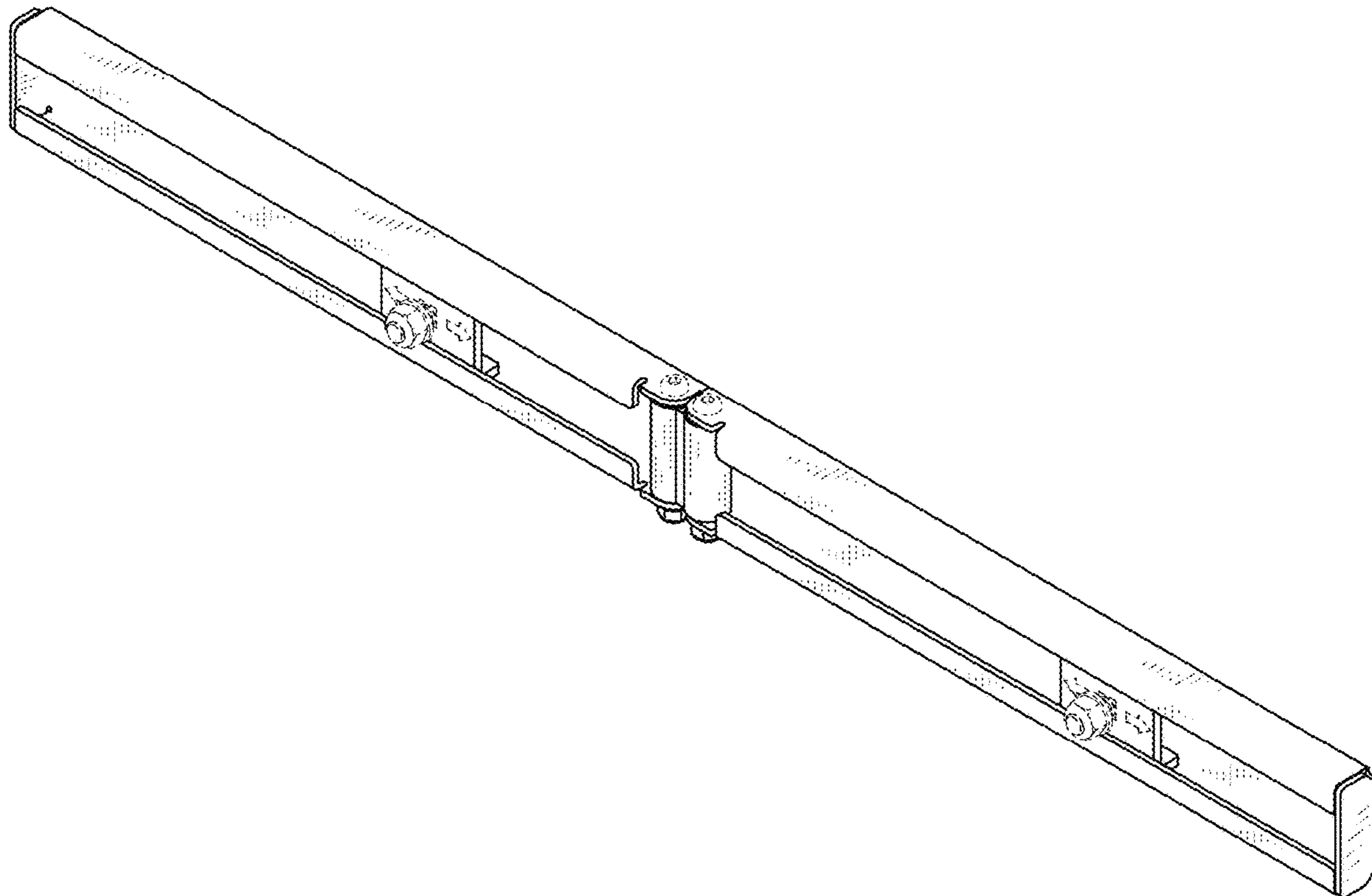
(57) **CLAIM**

The ornamental design for a display mount component, as shown and described.

DESCRIPTION

FIG. 1 is a perspective view of a display mount component showing my new design;
FIG. 2 is a perspective view of a display mount component in a folded state thereof;
FIG. 3 is a front view thereof;
FIG. 4 is a rear view thereof;
FIG. 5 is a left side view thereof;
FIG. 6 is a right side view thereof;
FIG. 7 is a top plan view thereof; and,
FIG. 8 is a bottom plan view thereof.
The evenly-broken lines where present illustrate portions of the display mount component that form no part of the claimed design.

1 Claim, 8 Drawing Sheets



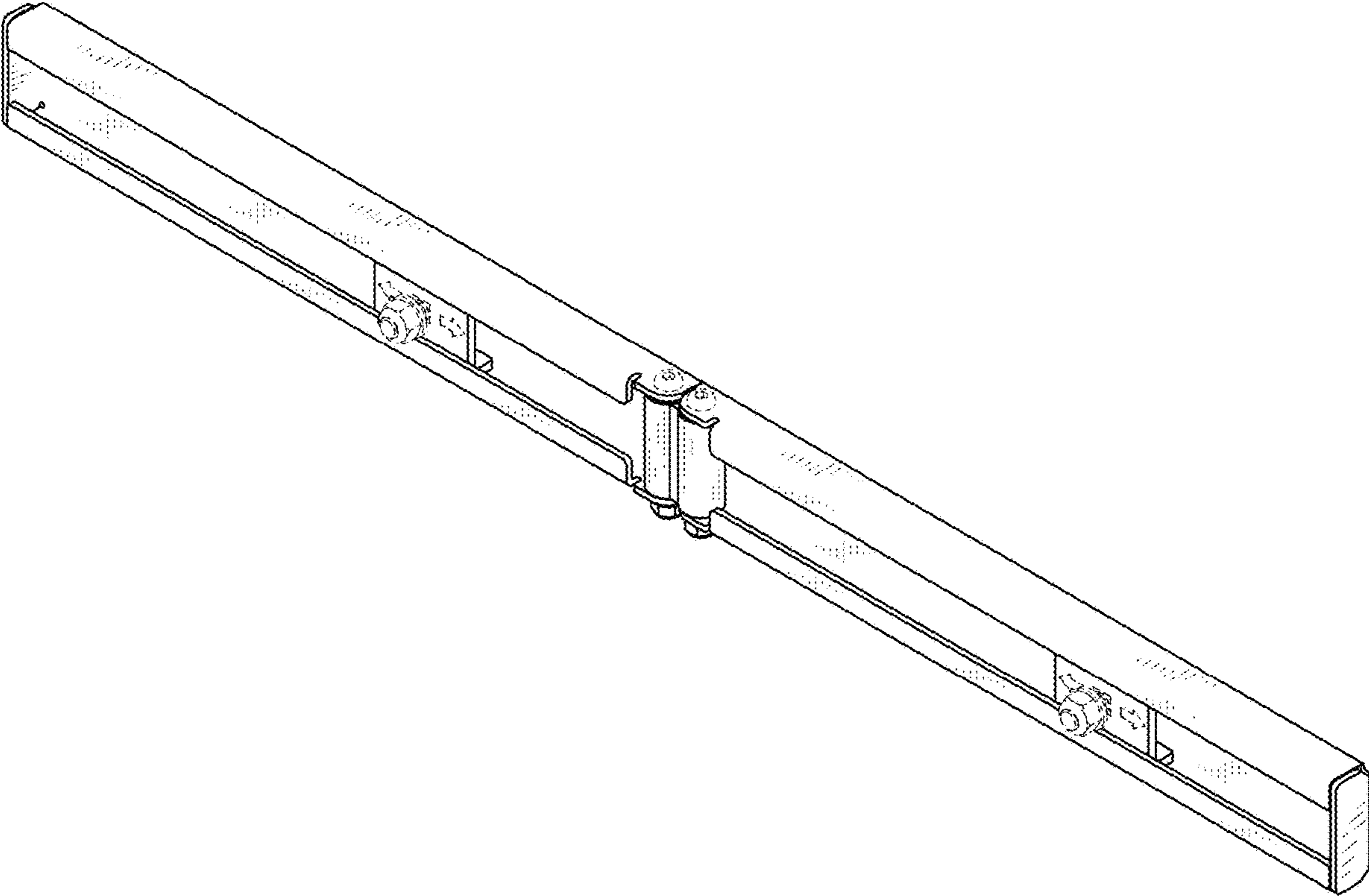


FIG.1

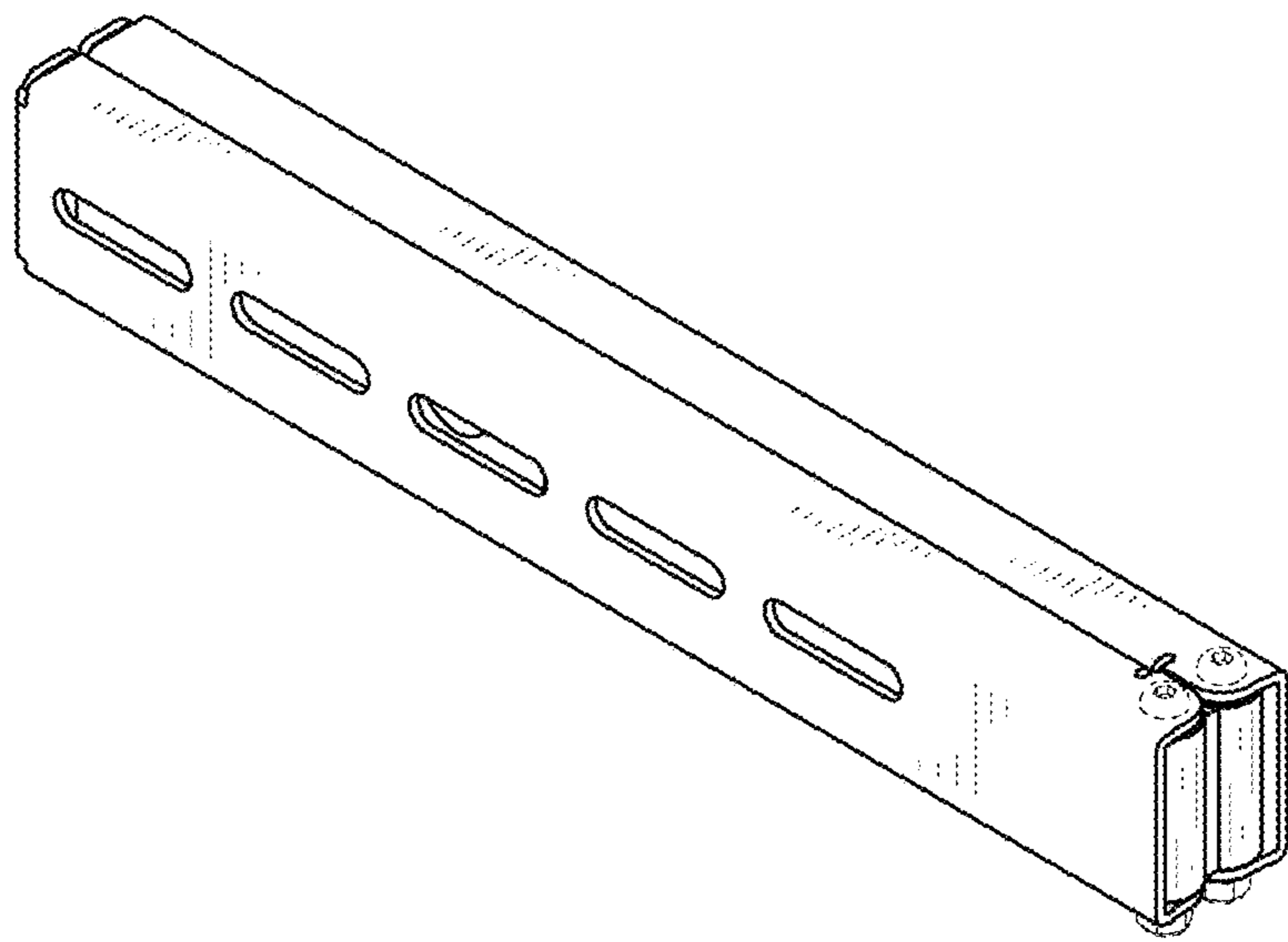


FIG. 2

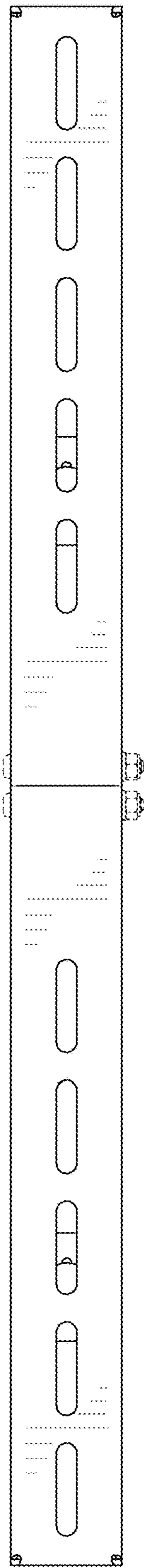


FIG.3

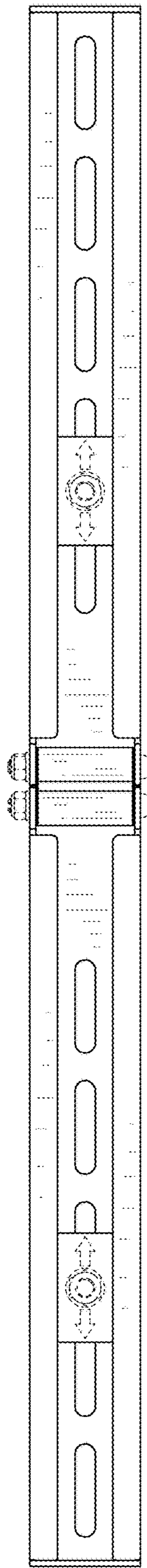


FIG. 4



FIG. 5

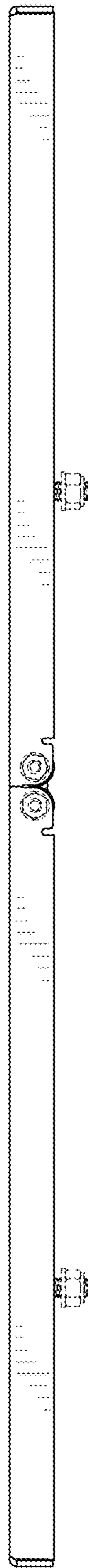


FIG. 6

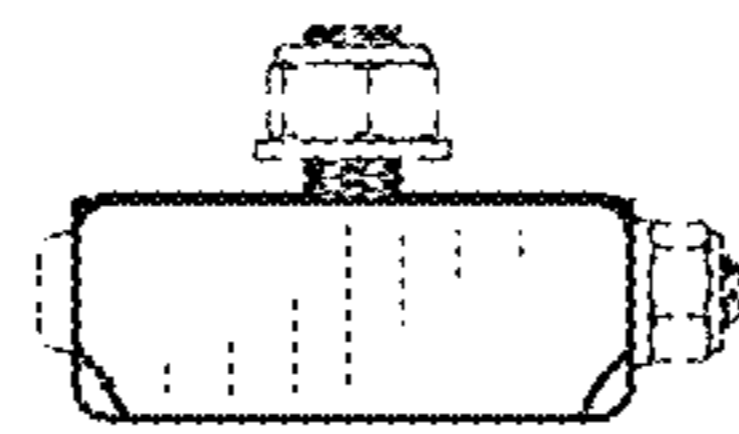


FIG. 7

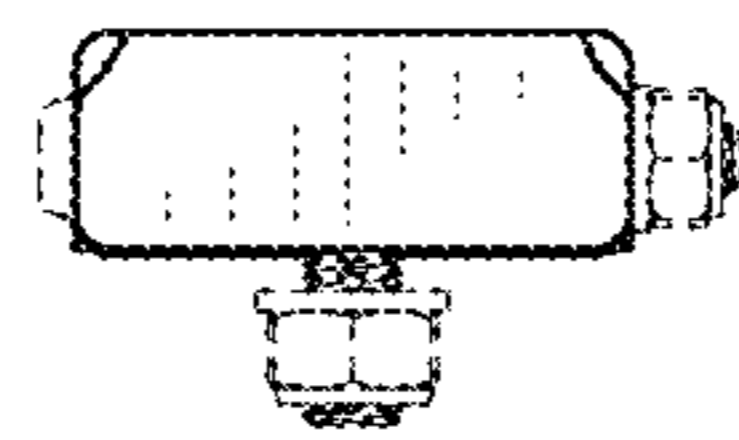


FIG. 8