



US00D935869S

(12) **United States Design Patent**
Chen

(10) **Patent No.:** **US D935,869 S**

(45) **Date of Patent:** **** Nov. 16, 2021**

(54) **DISPLAY MOUNT**

(71) Applicant: **Shenzhen Prime Technology Co., Ltd,**
Shenzhen (CN)

(72) Inventor: **Huasheng Chen,** Shenzhen (CN)

(**) Term: **15 Years**

(21) Appl. No.: **29/751,697**

(22) Filed: **Sep. 23, 2020**

(51) **LOC (13) Cl.** **08-05**

(52) **U.S. Cl.**
USPC **D8/363; D14/239**

(58) **Field of Classification Search**
USPC D8/380, 366, 376, 377, 363, 355, 354;
D6/553; D25/121, 119; D14/239, 452
CPC H04N 5/655
See application file for complete search history.

(56) **References Cited**

U.S. PATENT DOCUMENTS

D534,789 S *	1/2007	Worrall	D8/363
D537,706 S *	3/2007	Ly Hau	D8/363
D539,123 S *	3/2007	Ly Hau	D8/363
D543,210 S *	5/2007	Stenhouse	D14/452
D558,562 S *	1/2008	Ciungan	D14/452
D558,563 S *	1/2008	Ciungan	D14/452
D559,088 S *	1/2008	Ciungan	D14/452

D565,938 S *	4/2008	Massoumi	D8/363
D595,299 S	6/2009	Bures		
D611,802 S *	3/2010	Li	D8/363
RE44,740 E *	2/2014	Ciungan	D8/363
RE45,646 E *	8/2015	Ciungan	D8/363
D852,805 S *	7/2019	Lyu	D14/452
D912,025 S *	3/2021	Lyu	D14/239

* cited by examiner

Primary Examiner — Eliza Z Bennett-Hattan

(74) *Attorney, Agent, or Firm* — W&K IP

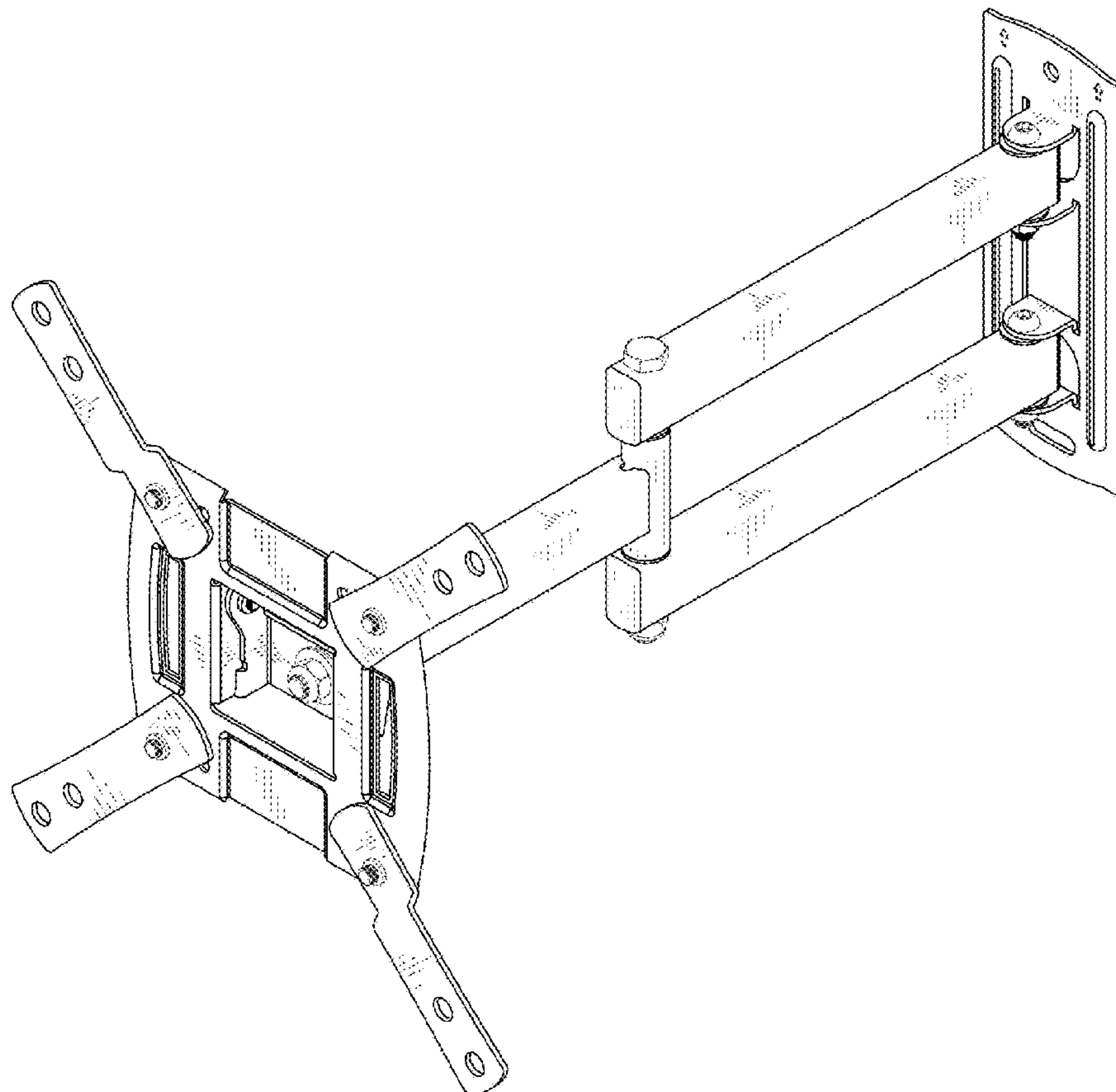
(57) **CLAIM**

The ornamental design for a display mount, as shown and described.

DESCRIPTION

FIG. 1 is a perspective view of a display mount showing my new design;
FIG. 2 is a front view thereof;
FIG. 3 is a rear view thereof;
FIG. 4 is a left side view thereof;
FIG. 5 is a right side view thereof;
FIG. 6 is a top plan view thereof; and,
FIG. 7 is a bottom plan view thereof.
The evenly-broken lines where present illustrate portions of the display mount that form no part of the claimed design.

1 Claim, 7 Drawing Sheets



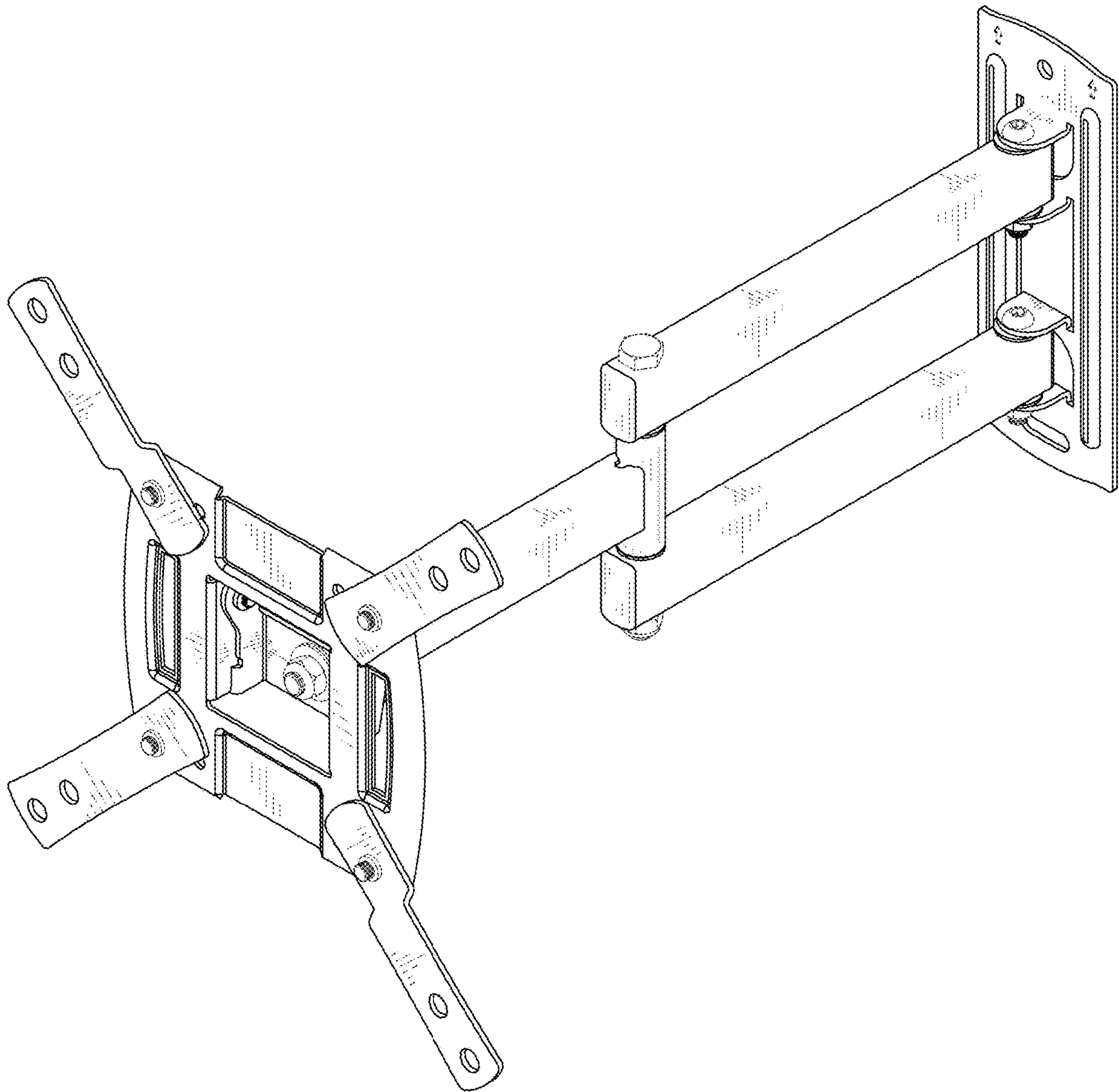


FIG.1

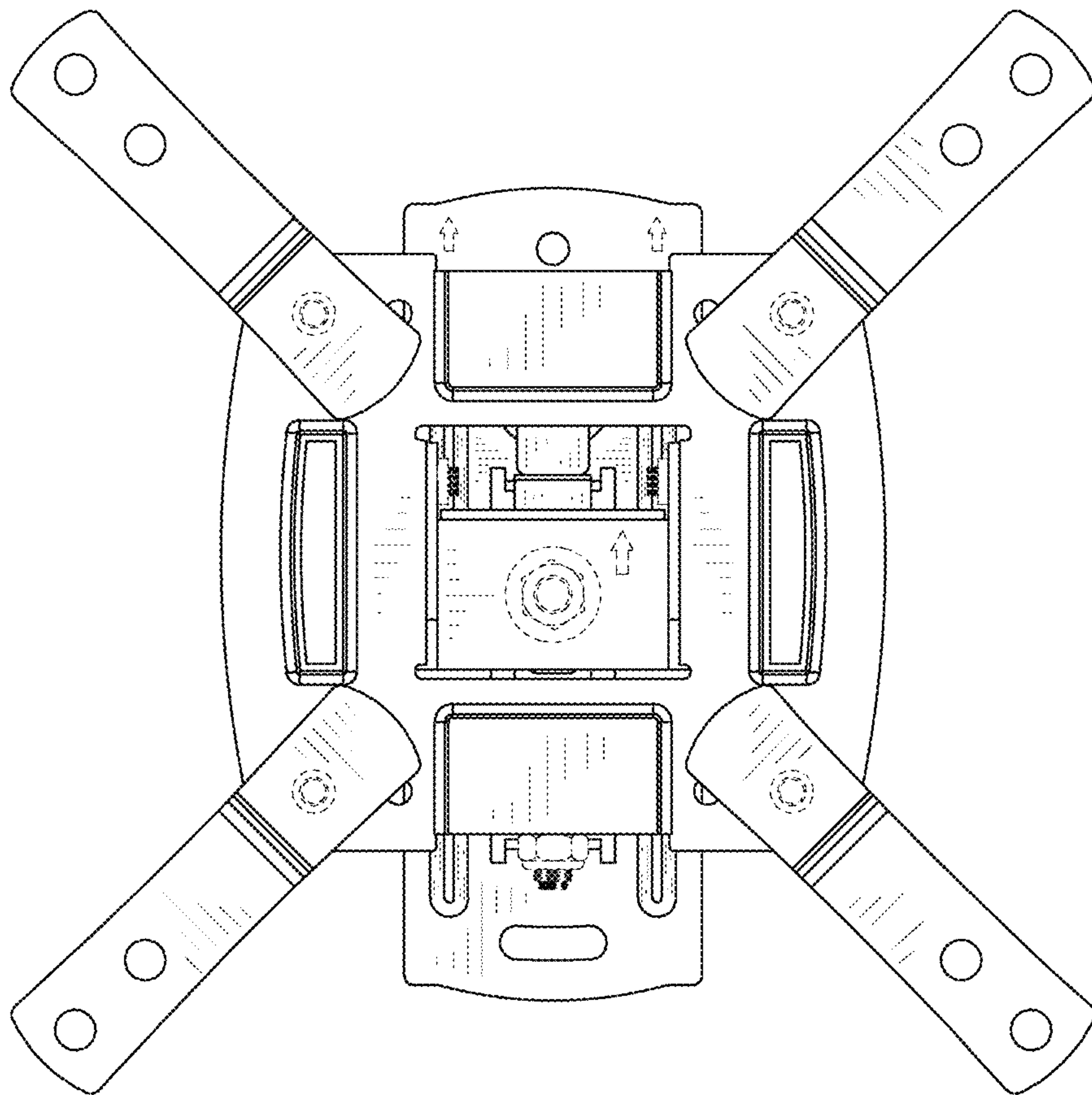


FIG. 2

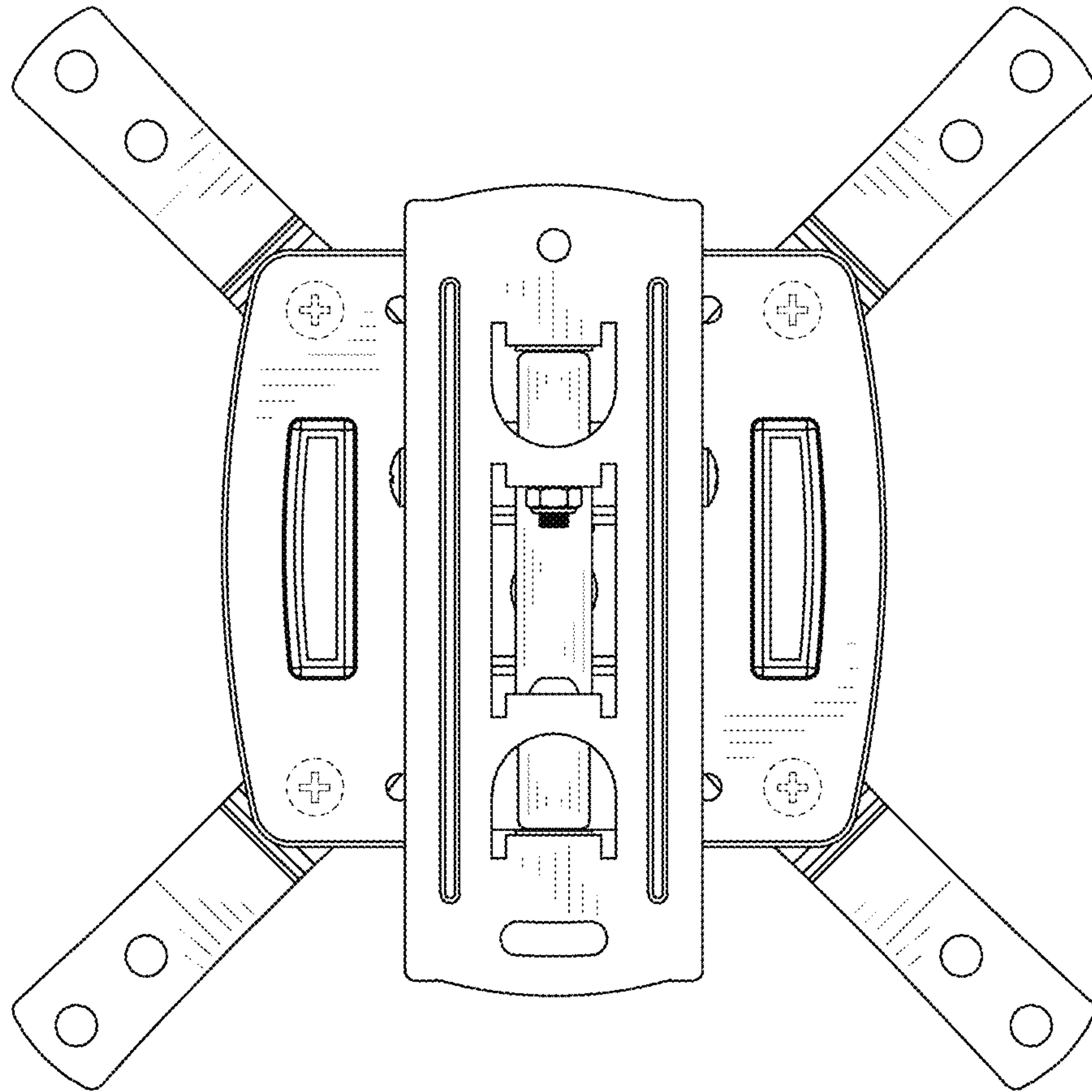


FIG. 3

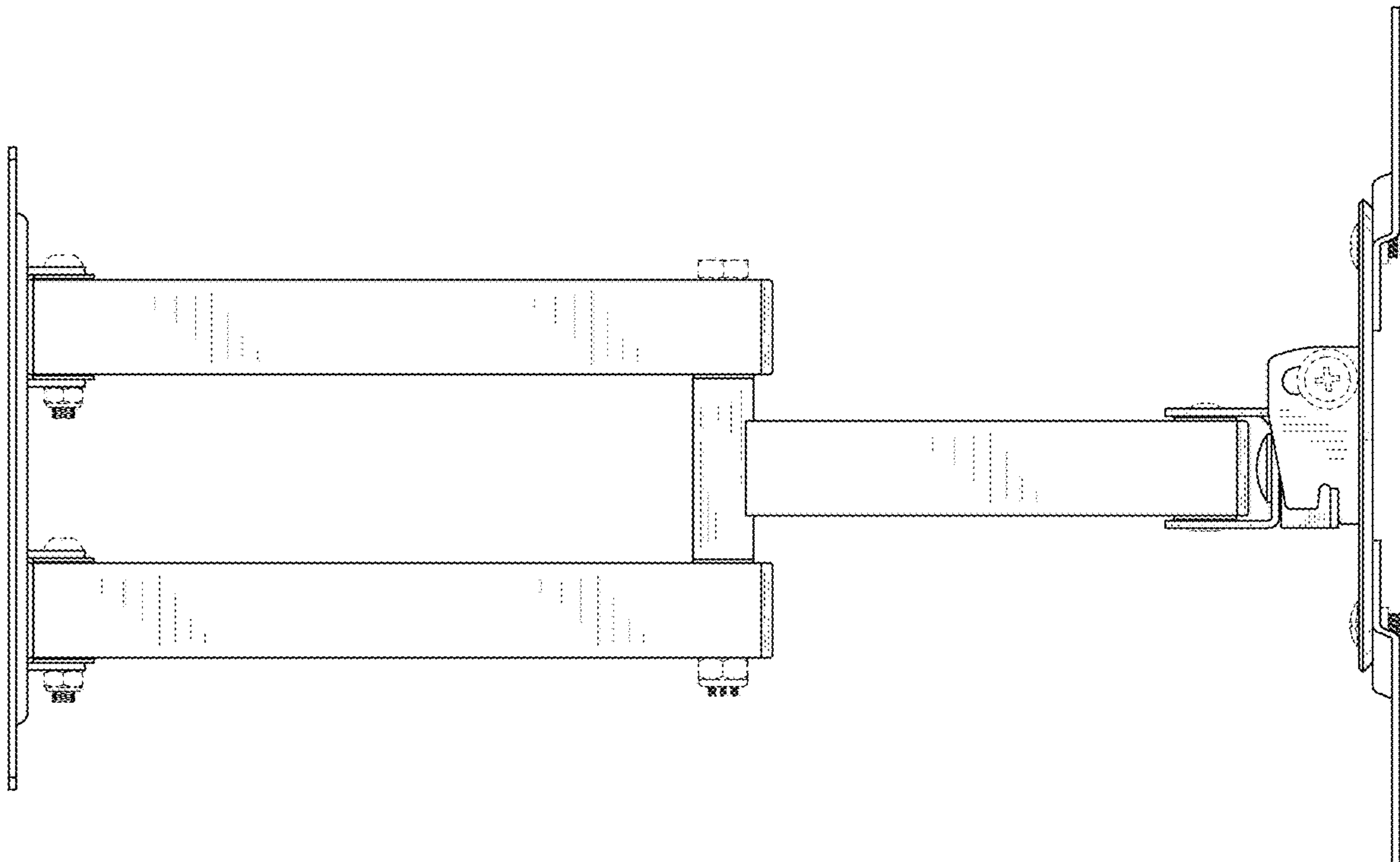


FIG. 4

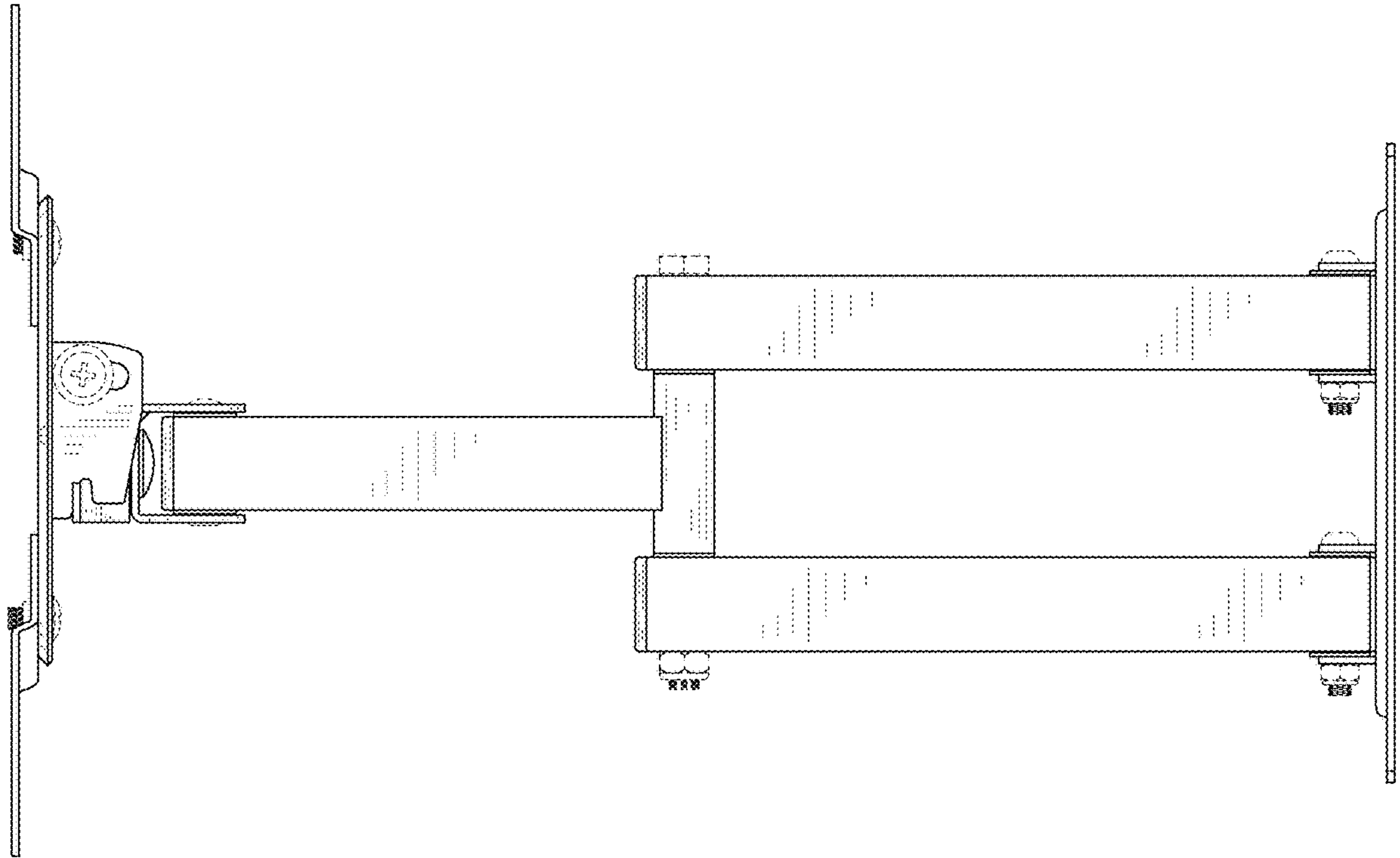


FIG.5

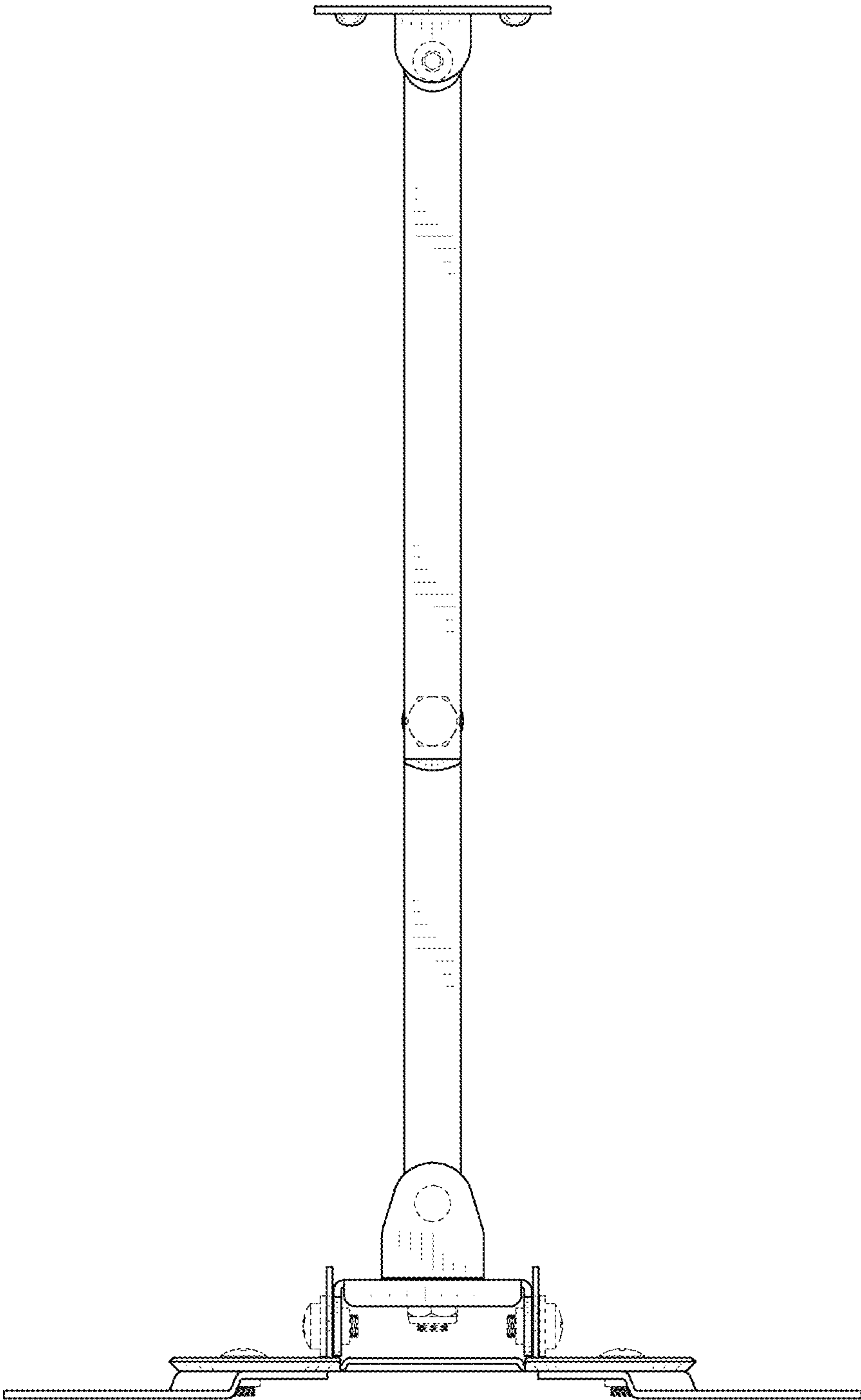


FIG. 6

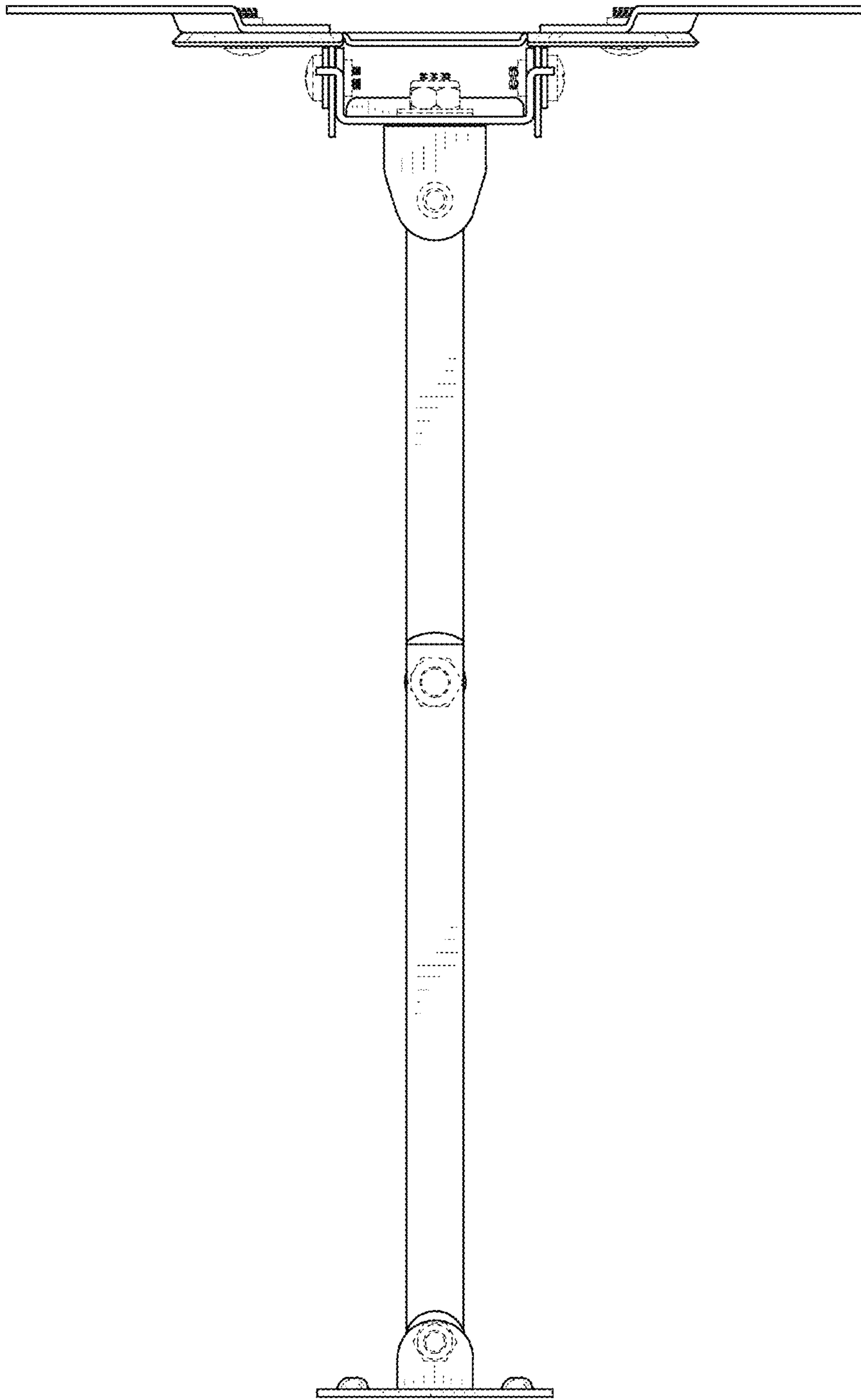


FIG. 7