



US00D935868S

(12) **United States Design Patent** (10) **Patent No.:** **US D935,868 S**
Hanley et al. (45) **Date of Patent:** **** Nov. 16, 2021**

(54) **CURTAIN ROD BRACKET WITH CAM LOCK**

(71) Applicant: **Kenney Manufacturing Company**,
Warwick, RI (US)

(72) Inventors: **Michael P. Hanley**, Smithfield, RI
(US); **Sally Voas**, Albion, RI (US);
Jeffrey Klowan, Woonsocket, RI (US)

(73) Assignee: **Kenney Manufacturing Company**,
Warwick, RI (US)

(**) Term: **15 Years**

(21) Appl. No.: **29/670,907**

(22) Filed: **Nov. 20, 2018**

Related U.S. Application Data

(63) Continuation of application No. 16/126,977, filed on
Sep. 10, 2018, now Pat. No. 10,612,576, which is a
continuation of application No. 15/668,167, filed on
Aug. 3, 2017, now Pat. No. 10,070,748.

(51) **LOC (13) Cl.** **08-05**

(52) **U.S. Cl.**
USPC **D8/363**

(58) **Field of Classification Search**
USPC D8/363, 366, 373, 376, 380, 381, 374
CPC A47H 1/142
See application file for complete search history.

(56) **References Cited**

U.S. PATENT DOCUMENTS

378,087 A 2/1888 Field
827,627 A 7/1906 Graham
917,601 A 4/1909 Heinrichs
969,051 A 8/1910 Garraway et al.
1,057,043 A 3/1913 Dohm
1,147,355 A 7/1915 Zevin et al.
D60,744 S 3/1922 Weyman

D75,598 S 6/1928 Priest
D76,096 S 8/1928 Vermillion
D76,097 S 8/1928 Vebmillion
2,224,008 A 12/1940 Auslander
2,261,505 A 11/1941 Schlesinger
2,298,380 A 10/1942 Hood
2,679,373 A 5/1954 Henley
2,859,879 A 11/1958 Rogers et al.
2,908,471 A 10/1959 Hollansworth

(Continued)

FOREIGN PATENT DOCUMENTS

EP 0219648 A1 4/1987
EP 0229497 A1 7/1987

(Continued)

OTHER PUBLICATIONS

European Search Report received in European Application No.
07742165.9, dated Jan. 4, 2017, 7 pages.

(Continued)

Primary Examiner — Eliza Z Bennett-Hattan

(74) *Attorney, Agent, or Firm* — Adler Pollock &
Sheehan P.C

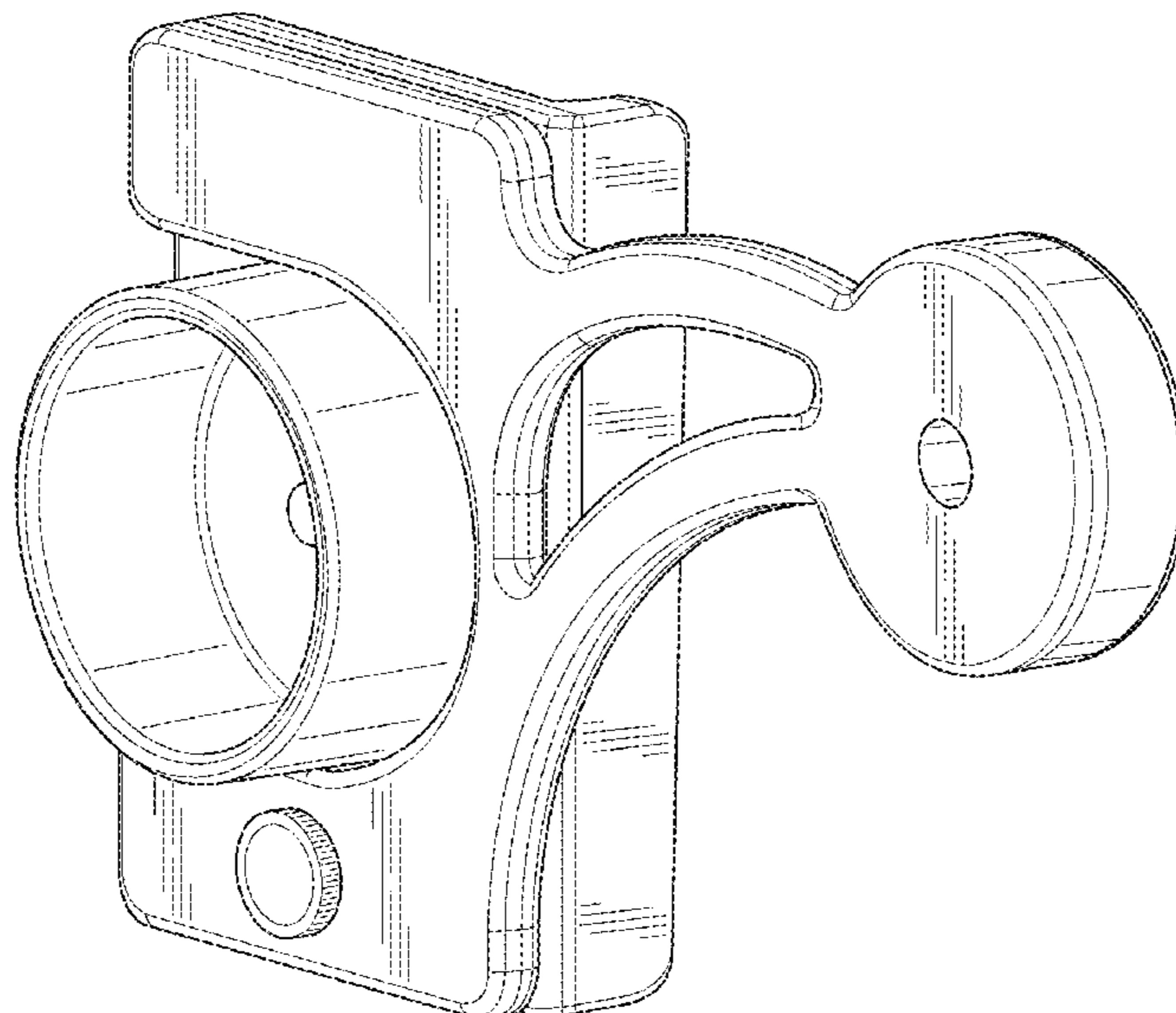
(57) **CLAIM**

The ornamental design for a curtain rod bracket and cam
lock, as shown and described.

DESCRIPTION

FIG. 1 is a left side perspective view of the curtain rod
bracket with cam lock in accordance with our new design;
FIG. 2 is a front side view thereof;
FIG. 3 is a rear view thereof;
FIG. 4 is a right side view thereof;
FIG. 5 is a left side view thereof;
FIG. 6 is a top view thereof; and,
FIG. 7 is a bottom view thereof.

1 Claim, 7 Drawing Sheets



(56)

References Cited

U.S. PATENT DOCUMENTS

3,506,135 A 4/1970 Klingaman
 3,614,045 A 10/1971 Cegielski, Jr.
 3,669,395 A 6/1972 Gehrke
 3,912,211 A 10/1975 Topf
 D244,668 S 6/1977 Tegner
 4,140,294 A 2/1979 Zwarts
 4,162,721 A 7/1979 Moriya
 D259,241 S 5/1981 Lynch et al.
 4,325,528 A 4/1982 Martin
 D265,285 S 7/1982 Englert, Jr.
 4,381,578 A 5/1983 Glejf
 D279,450 S 7/1985 Chap
 4,555,432 A 11/1985 Bossons
 D281,575 S 12/1985 Chap
 D285,410 S 9/1986 Webber
 D290,224 S 6/1987 Skinner
 D290,931 S 7/1987 Powell
 4,684,095 A 8/1987 Athey
 4,898,409 A 2/1990 Carter
 D307,539 S 5/1990 Goodman et al.
 D315,862 S 4/1991 Specker, Jr.
 D316,031 S 4/1991 Goodman et al.
 5,011,030 A 4/1991 Alaurant
 5,069,412 A 12/1991 Jacob
 D327,642 S 7/1992 Foubister
 D329,372 S 9/1992 Wilms
 D346,950 S 5/1994 Dunn et al.
 5,351,842 A 10/1994 Remmers
 5,549,407 A 8/1996 Levi et al.
 5,564,666 A 10/1996 Pfeil
 5,582,303 A 12/1996 Sloan
 D389,035 S 1/1998 Smiley et al.
 5,876,147 A 3/1999 Longo
 6,216,889 B1 4/2001 Chang
 6,302,614 B1 10/2001 Tseng
 D455,334 S 4/2002 Ivankovic
 D459,978 S 7/2002 Hollinger
 6,439,520 B1 8/2002 Johnson
 D511,088 S 11/2005 Chiu
 D517,402 S 3/2006 Cairns
 7,128,124 B2 10/2006 Bibby et al.
 7,198,088 B2 4/2007 McMenamin et al.
 7,287,734 B2 10/2007 Bell
 7,370,839 B2 5/2008 Putman
 D591,143 S 4/2009 Ernst et al.
 D605,931 S 12/2009 Piersant
 D605,932 S 12/2009 Piersant
 D611,328 S * 3/2010 Hanley D8/363
 D622,578 S 8/2010 Kollman
 D632,951 S 2/2011 McGreevy et al.
 8,056,873 B1 11/2011 Hanley et al.
 8,231,093 B2 7/2012 Tran
 D678,754 S 3/2013 Burr
 8,418,975 B1 4/2013 Burr
 8,500,078 B2 8/2013 Castellanos
 D700,827 S 3/2014 Starck
 8,678,068 B1 3/2014 Hobart et al.
 D707,535 S 6/2014 Burr

8,740,171 B2 6/2014 Crescenzo
 8,814,114 B2 8/2014 Baines
 8,827,587 B2 9/2014 Didehvar
 D714,622 S 10/2014 Pan
 D715,133 S 10/2014 Pan
 D715,625 S 10/2014 Pan
 D715,626 S 10/2014 Pan
 8,851,435 B1 10/2014 Bastien et al.
 8,925,747 B1 1/2015 Hanley
 8,960,456 B2 2/2015 Didehvar
 D742,726 S 11/2015 Glass et al.
 D760,068 S 6/2016 Sehl
 9,388,837 B1 7/2016 Hanley
 D767,378 S 9/2016 Sehl
 9,609,974 B2 4/2017 Mateer
 9,687,092 B2 6/2017 Cabanes
 D808,779 S 1/2018 Shoenhair et al.
 10,047,787 B2 8/2018 Cheng
 10,322,690 B2 6/2019 Wang
 2006/0021722 A1 2/2006 Nien
 2006/0054288 A1 3/2006 Bibby et al.
 2008/0164393 A1 7/2008 Hung
 2008/0210827 A1 9/2008 Samelson
 2009/0032659 A1 2/2009 Goldstein
 2012/0152872 A1 6/2012 Didehvar
 2012/0261371 A1 10/2012 Baines
 2012/0284914 A1 11/2012 Bauer
 2013/0099080 A1 4/2013 Baines
 2013/0292349 A1 11/2013 Bucklew et al.
 2013/0341474 A1 12/2013 Baines
 2014/0166603 A1 6/2014 Baines
 2014/0374367 A1 12/2014 Morel
 2015/0265086 A1 9/2015 Hanley et al.
 2016/0242586 A1 8/2016 Mateer
 2017/0071390 A1 3/2017 Moss et al.
 2017/0079457 A1 3/2017 Baines
 2017/0332818 A1 11/2017 Jones
 2018/0014680 A1 * 1/2018 Hanley F16B 7/1427
 2018/0098656 A1 4/2018 Baines
 2019/0282017 A1 * 9/2019 Hanley A47H 1/142
 2020/0345167 A1 * 11/2020 Klowan A47H 1/142

FOREIGN PATENT DOCUMENTS

EP 1619397 A1 1/2006
 EP 1748196 A1 1/2007
 GB 2289983 A 12/1995
 JP S6295483 A 5/1987
 JP H0784052 A 3/1995
 JP 2002207080 A 7/2002
 JP 2005257437 A 9/2005
 WO 9827443 A1 6/1998
 WO 2009039578 A1 4/2009

OTHER PUBLICATIONS

Written opinion received in International Application No. PCT/JP2007/058730, dated Jul. 17, 2007, 7 pages including 4 pages of English translation.

* cited by examiner

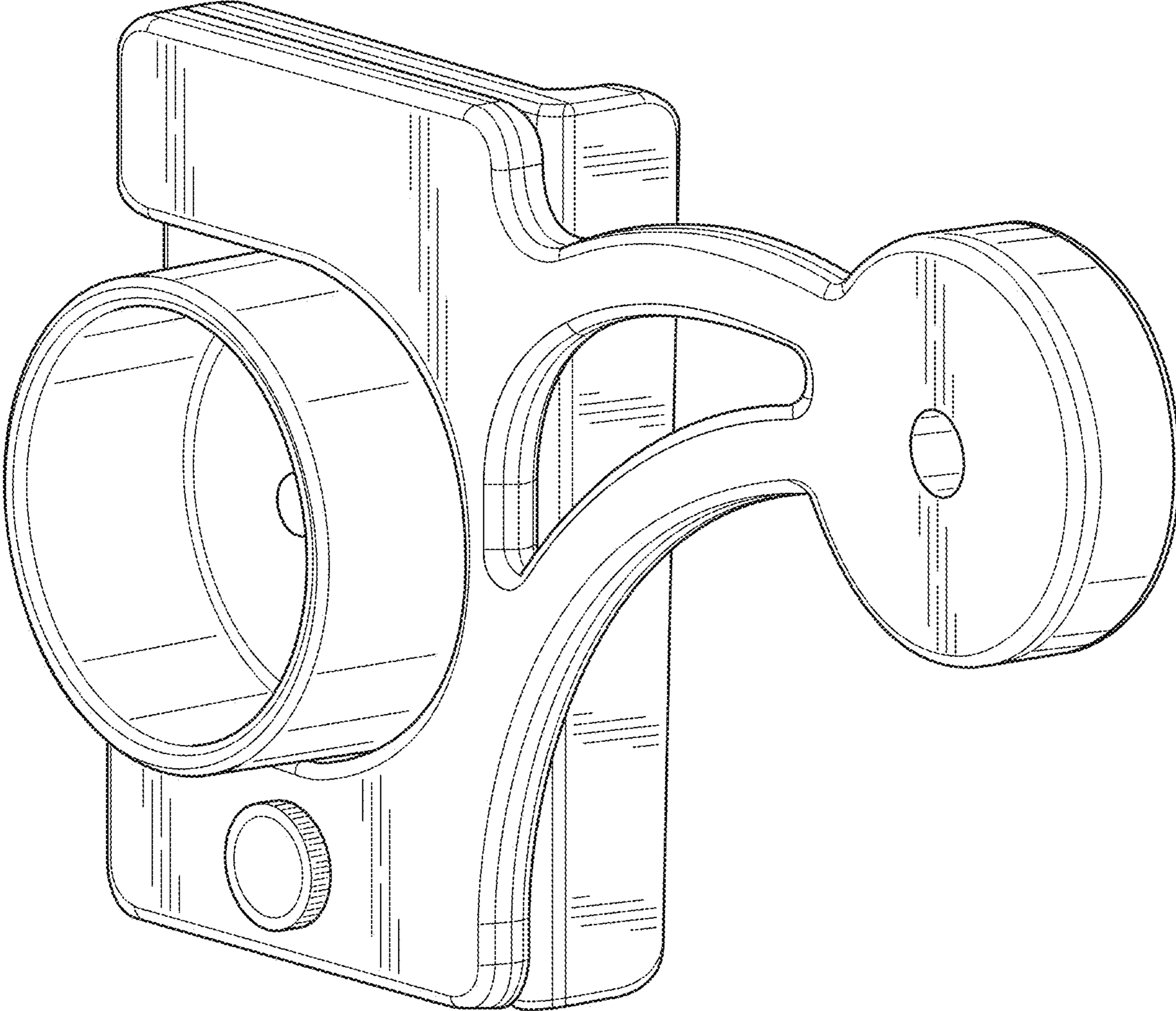


FIG. 1

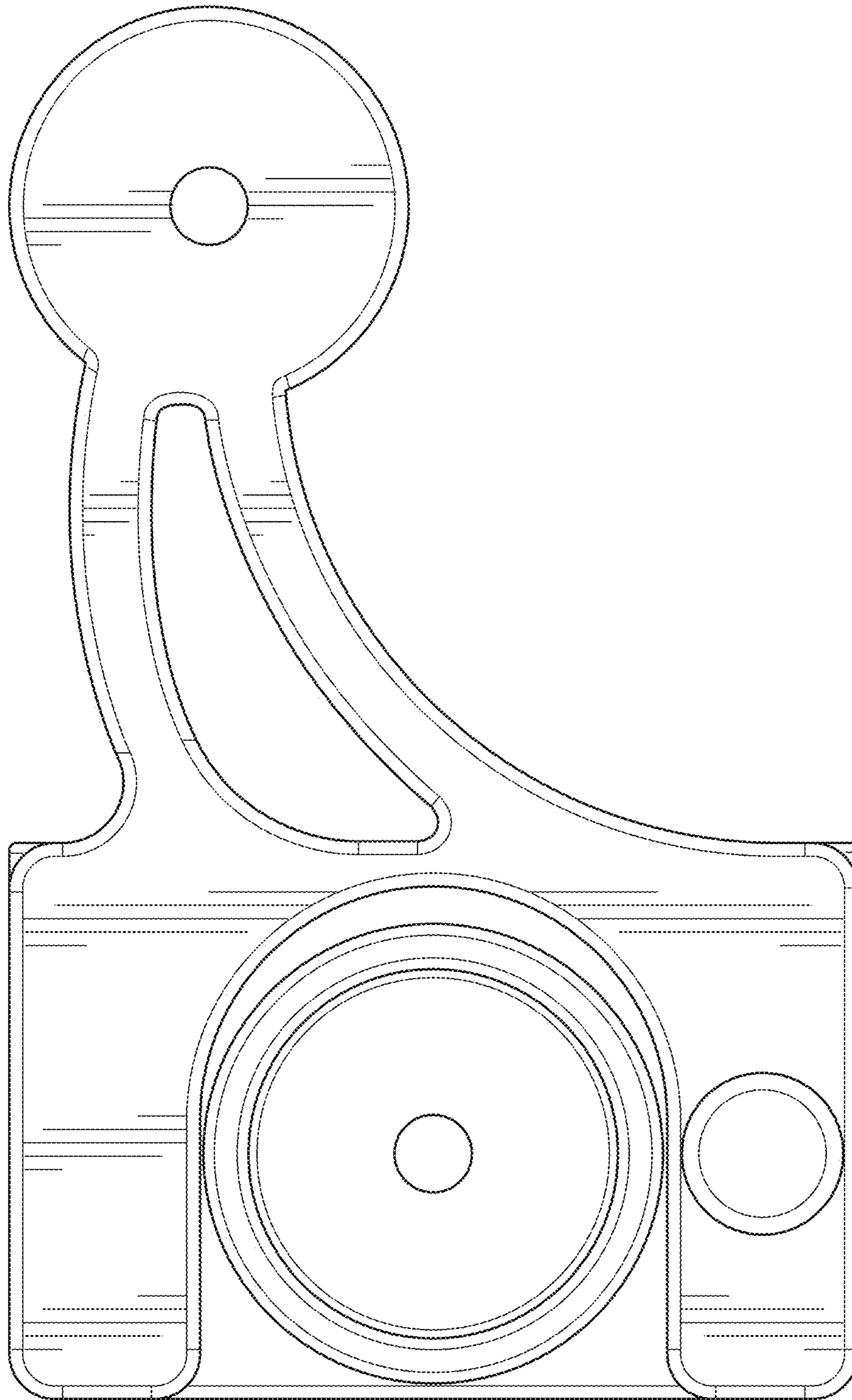


FIG. 2

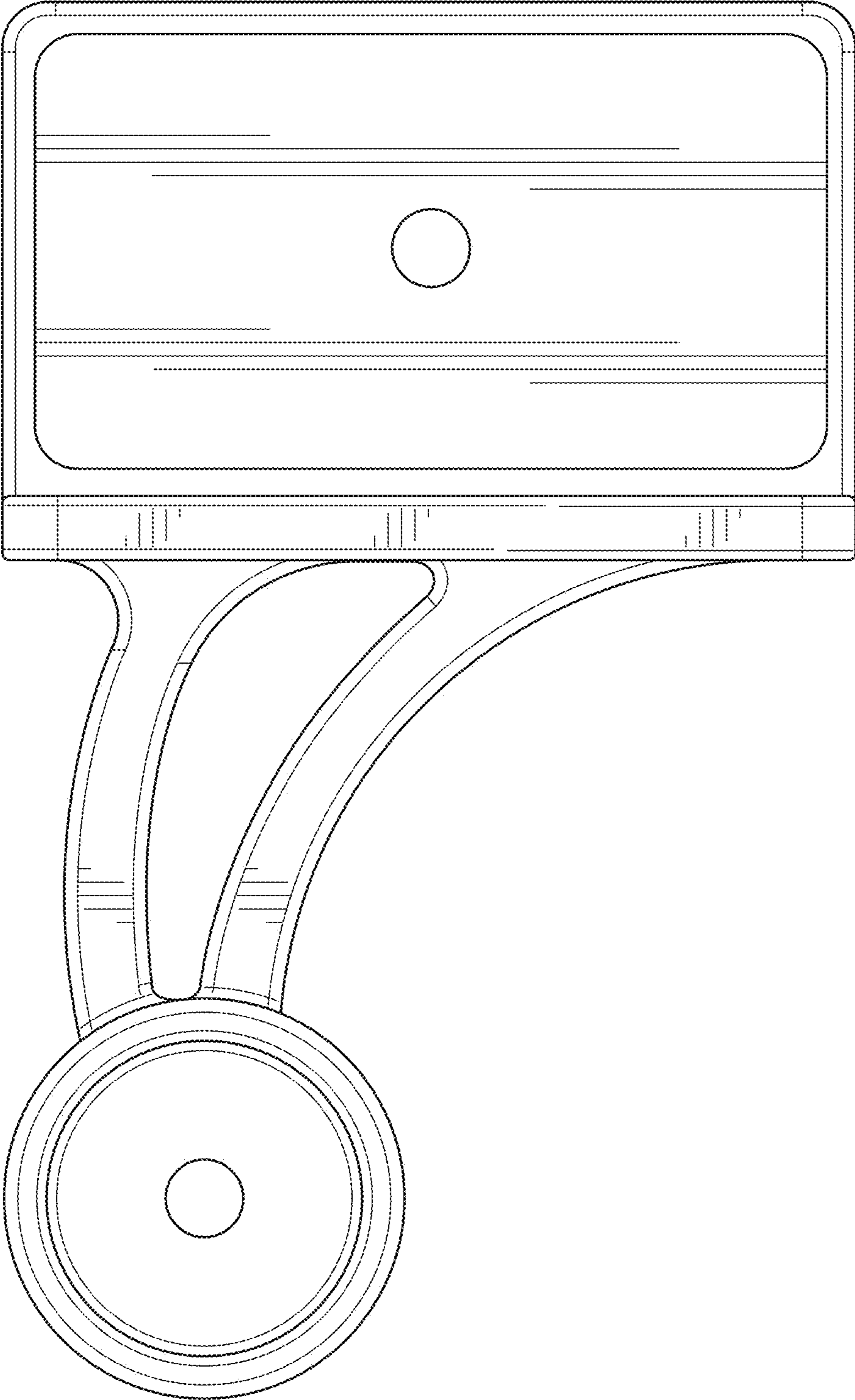


FIG. 3

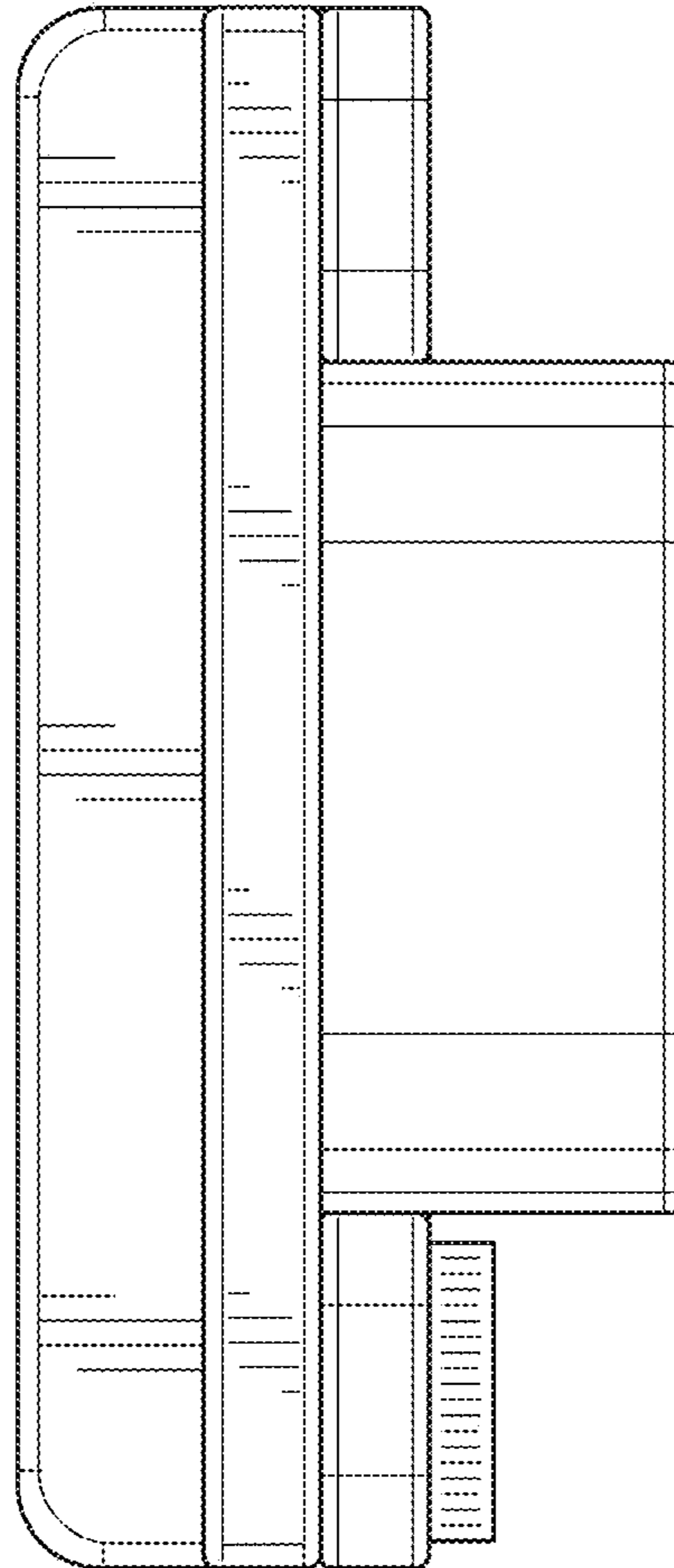


FIG. 4

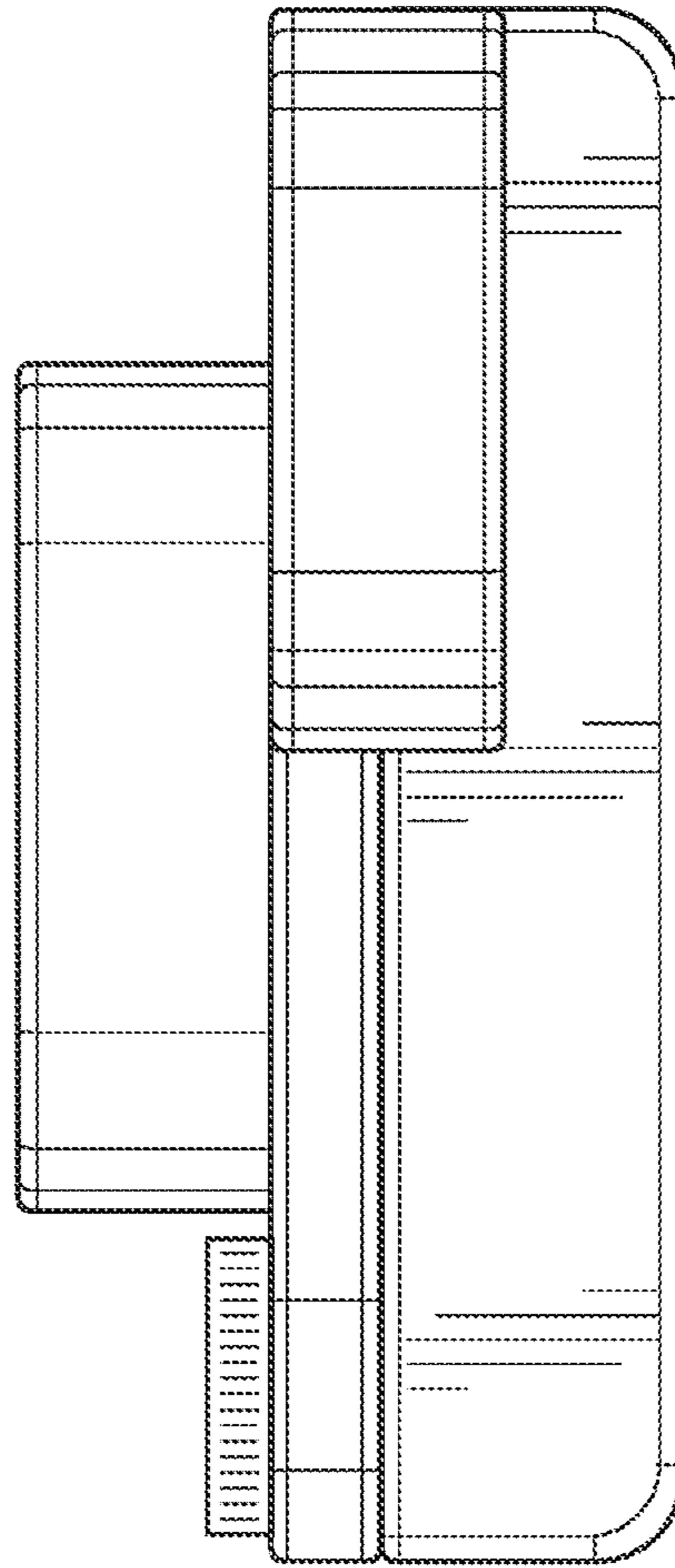


FIG. 5

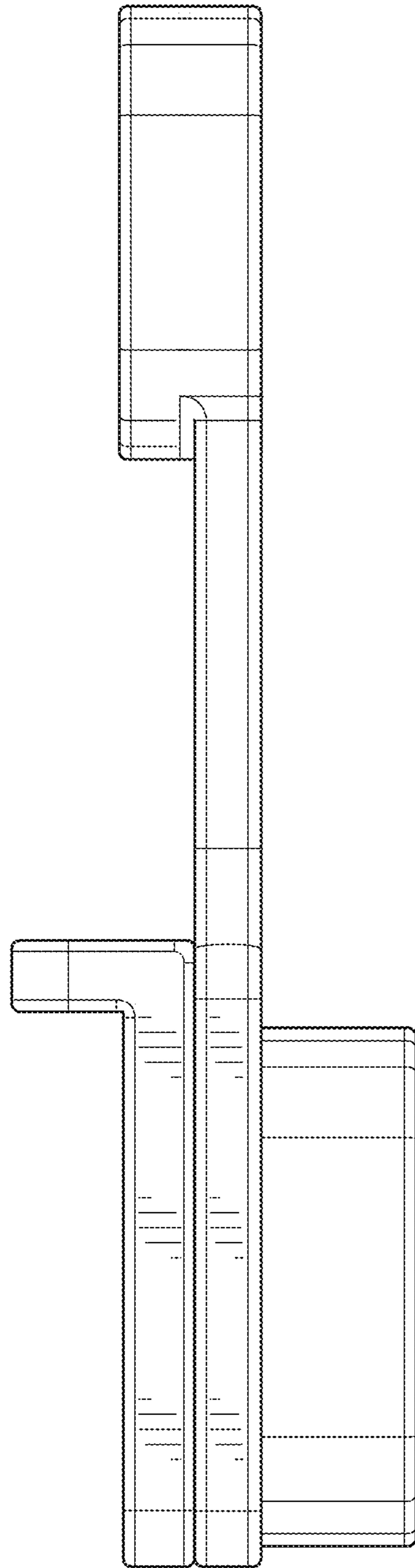


FIG. 6

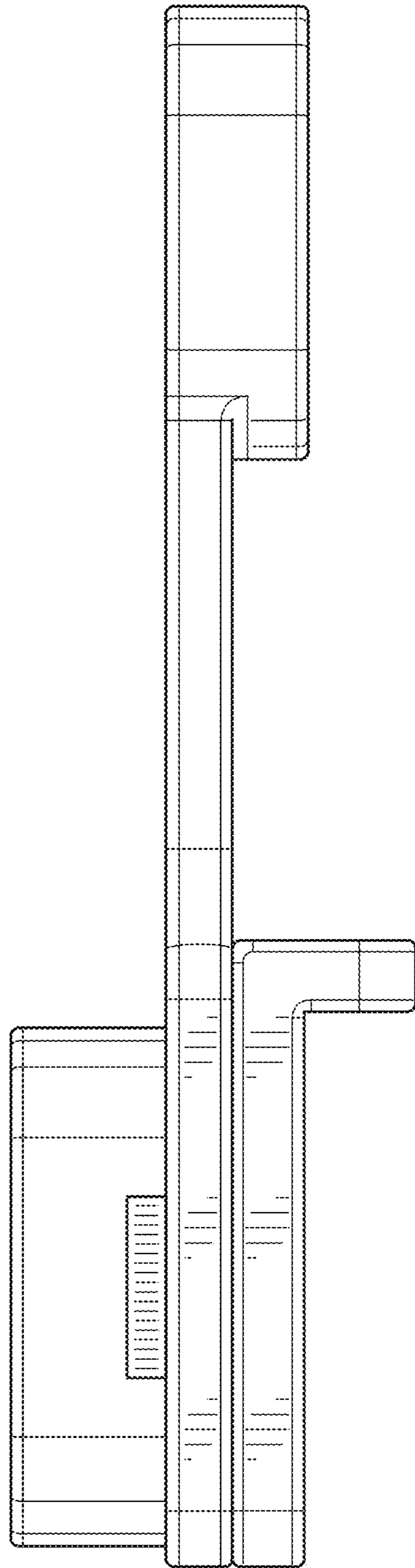


FIG. 7