



US00D935866S

(12) **United States Design Patent** (10) **Patent No.:** **US D935,866 S**
Chaudet (45) **Date of Patent:** **** Nov. 16, 2021**

(54) **VINE TYING MACHINE** 9,004,114 B2 * 4/2015 Kasahara E04G 21/122
140/93.6
(71) Applicant: **PELLENC**, Pertuis (FR) D736,603 S * 8/2015 Petzl D8/356
D779,926 S * 2/2017 Taylor D8/356
(72) Inventor: **Nicolas Chaudet**, Pertuis (FR) D807,730 S * 1/2018 Wu D8/356
D863,041 S * 10/2019 Short D8/356
(**) Term: **15 Years** 10,590,666 B2 * 3/2020 Itagaki B21F 15/04
11,103,915 B2 * 8/2021 Bastoni B21F 15/04
2006/0022104 A1 * 2/2006 Treat B60P 7/0846
248/300
(21) Appl. No.: **29/694,630** 2013/0270498 A1 * 10/2013 Burneister B66D 1/7452
254/266
(22) Filed: **Jun. 12, 2019** 2015/0107066 A1 * 4/2015 Lu B60P 7/0846
24/69 ST
(30) **Foreign Application Priority Data** 2015/0117975 A1 * 4/2015 Wright B60P 7/0846
410/103

Dec. 13, 2018 (EM) 005888872-0002
(51) **LOC (13) Cl.** **09-06**
(52) **U.S. Cl.**
USPC **D8/356**
(58) **Field of Classification Search**
USPC D8/356, 354, 349, 367, 394, 395, 396;
140/93.6, 119, 120
CPC B21F 15/04; B66D 1/7452; B60P 7/0846;
E04G 21/123
See application file for complete search history.

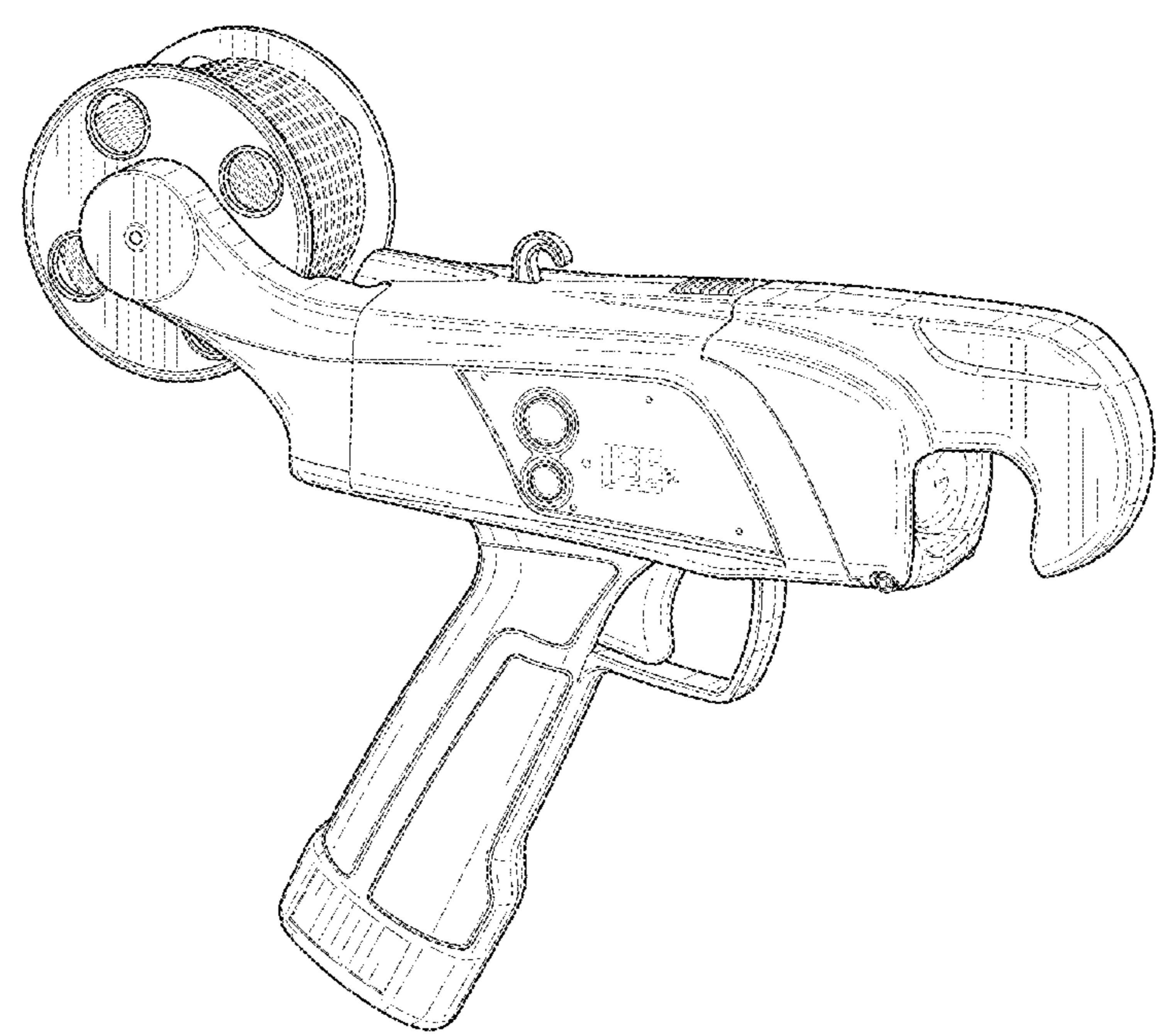
(56) **References Cited**
U.S. PATENT DOCUMENTS
D176,570 S * 1/1956 Taylor D8/356
3,211,187 A * 10/1965 Paule E04G 21/123
140/119
5,613,530 A * 3/1997 Kincel B21F 15/04
140/119
5,682,927 A * 11/1997 Takahashi B65B 27/10
140/119
5,842,506 A * 12/1998 Peters E04G 21/123
140/119
7,299,829 B2 * 11/2007 Kim E04G 21/122
140/119

* cited by examiner
Primary Examiner — Cynthia R Underwood
(74) *Attorney, Agent, or Firm* — Egbert, McDaniel & Swartz, PLLC

(57) **CLAIM**
The ornamental design for a vine tying machine, as shown and described.

DESCRIPTION
FIG. 1 is a perspective view of a vine tying machine showing my new design.
FIG. 2 is a side view thereof;
FIG. 3 is an opposite side view thereof;
FIG. 4 is a front view thereof;
FIG. 5 is a rear view thereof;
FIG. 6 is a top view thereof; and,
FIG. 7 is a bottom view thereof.
The features presented in broken lines represent portions of the vine tying machine that form no part of the claimed design.

1 Claim, 3 Drawing Sheets



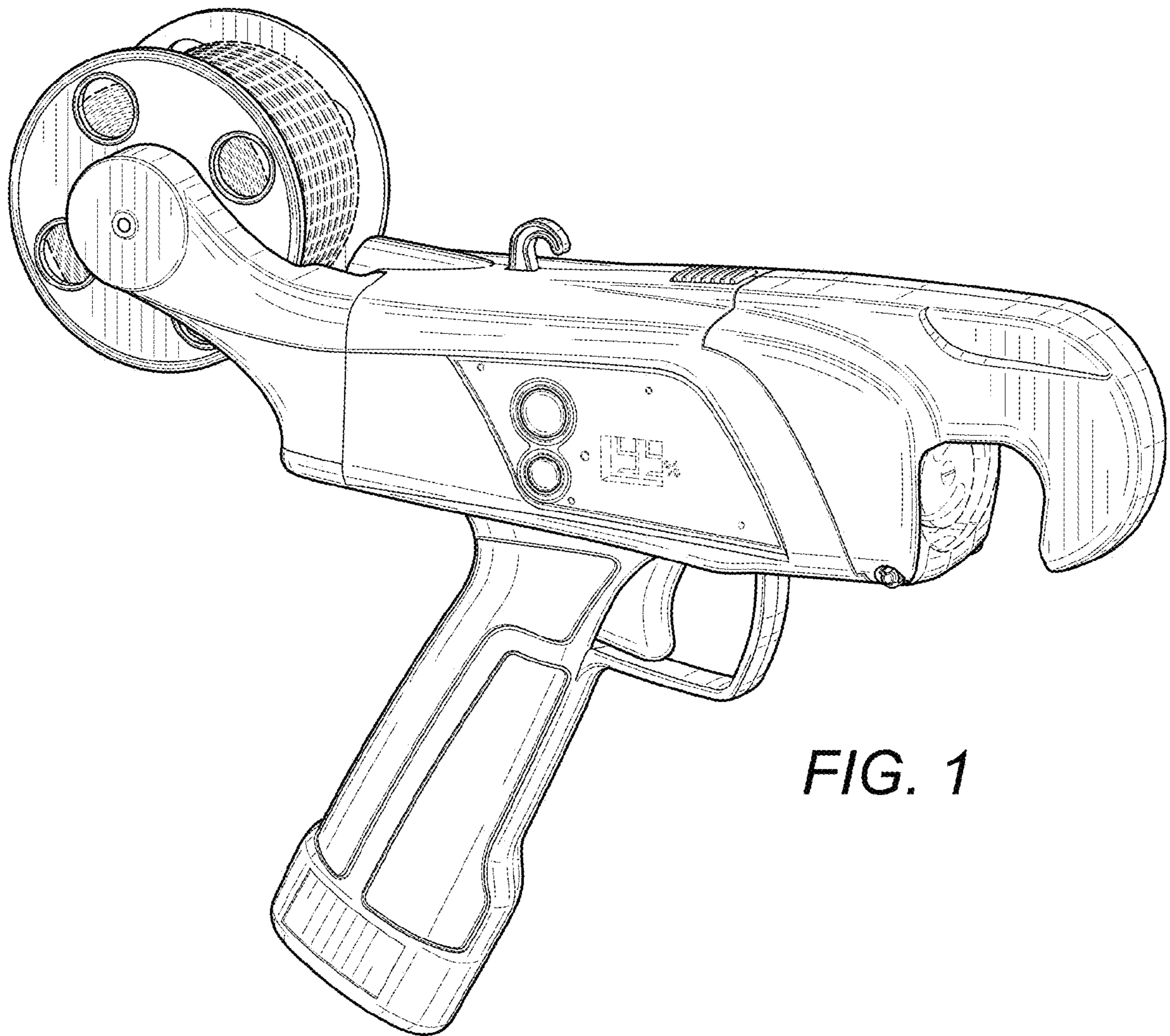


FIG. 1

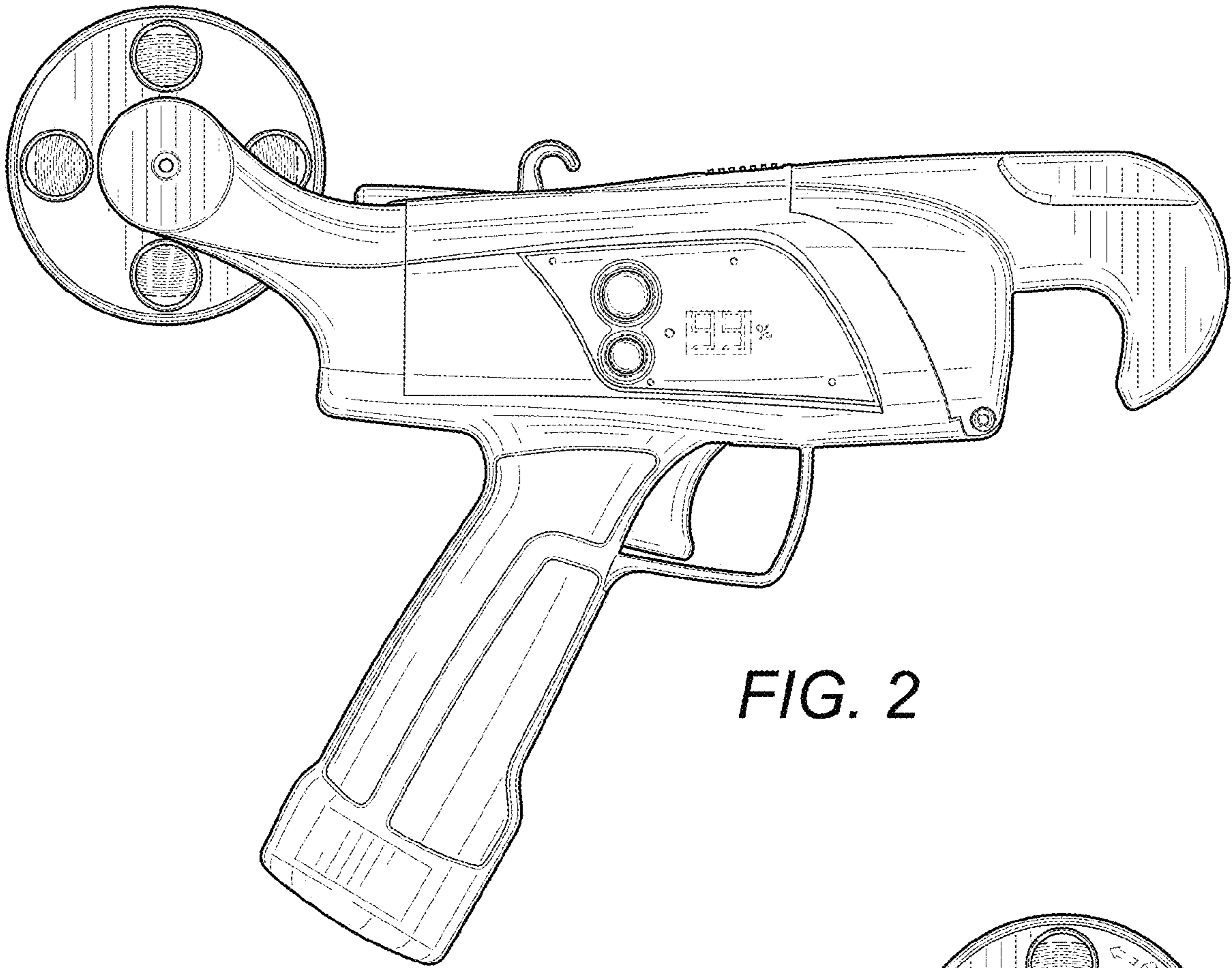


FIG. 2

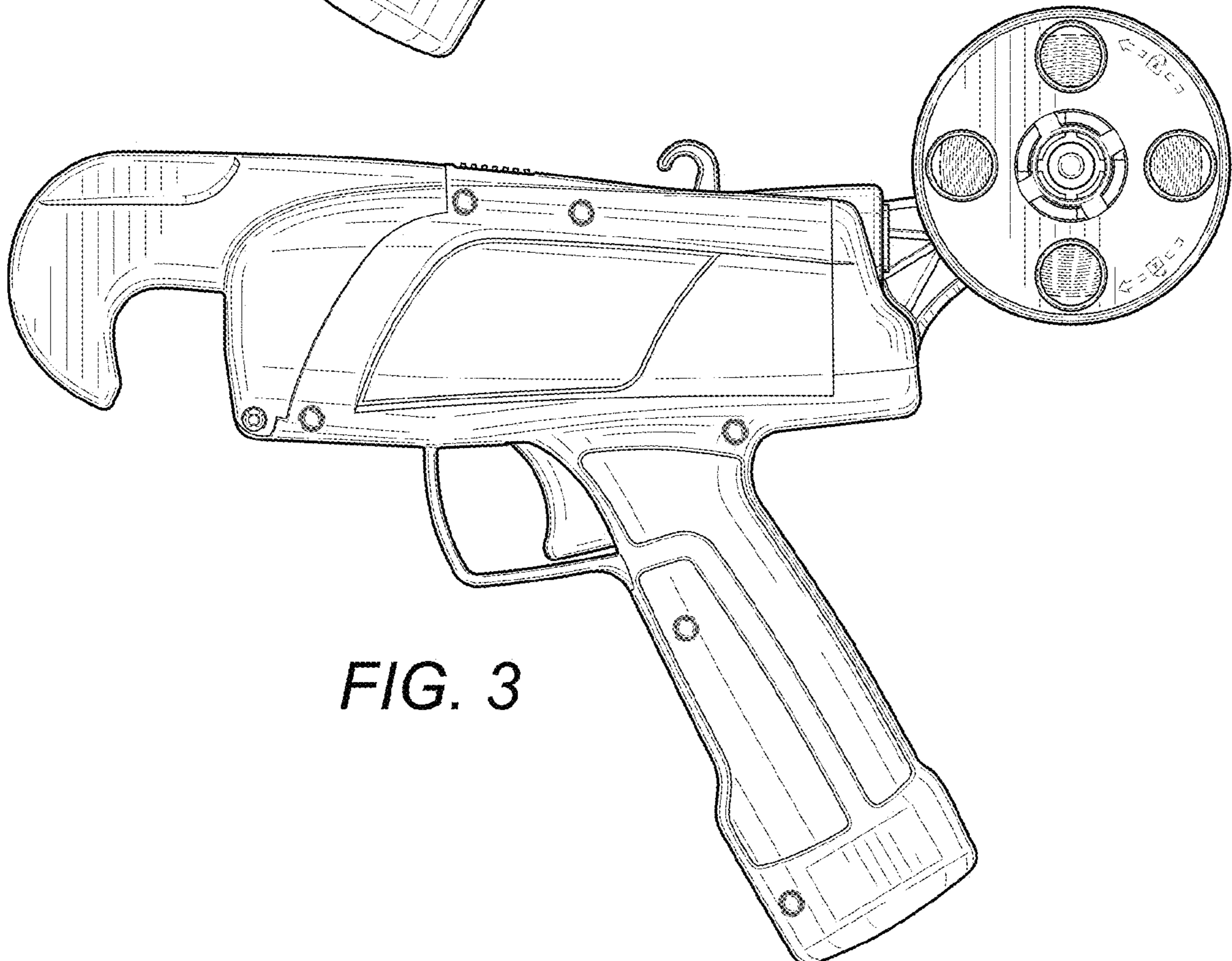


FIG. 3

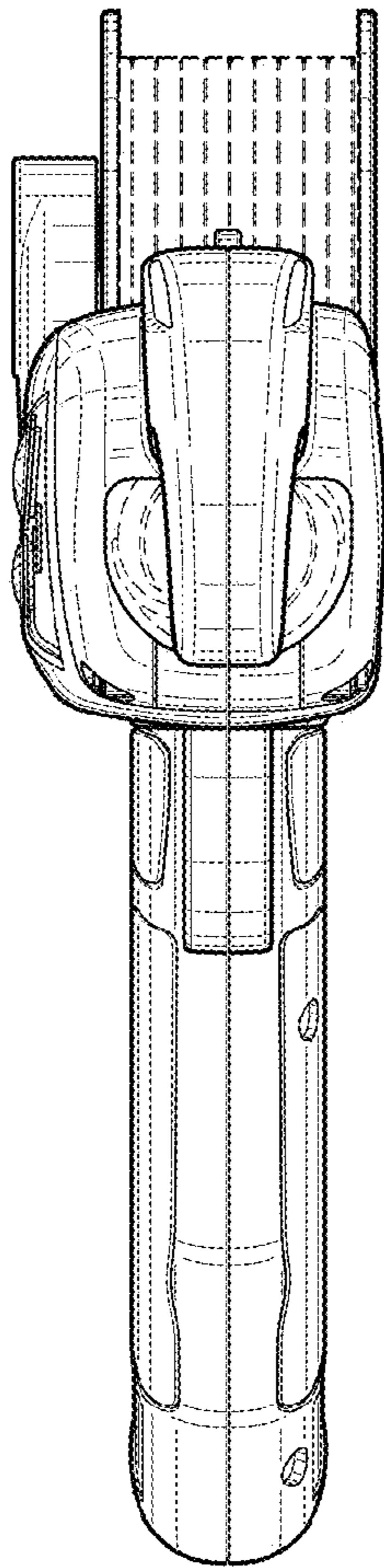


FIG. 4

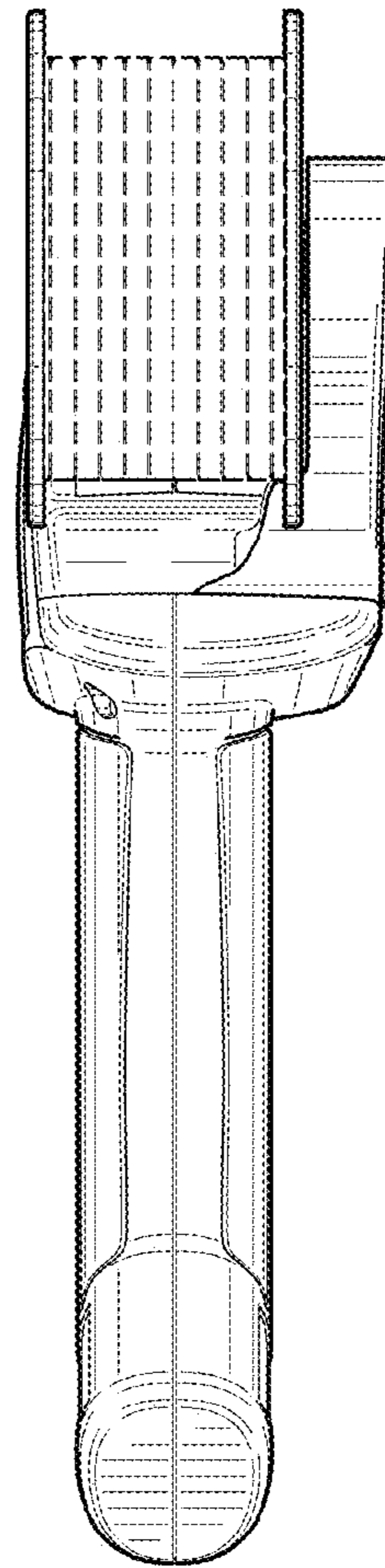


FIG. 5

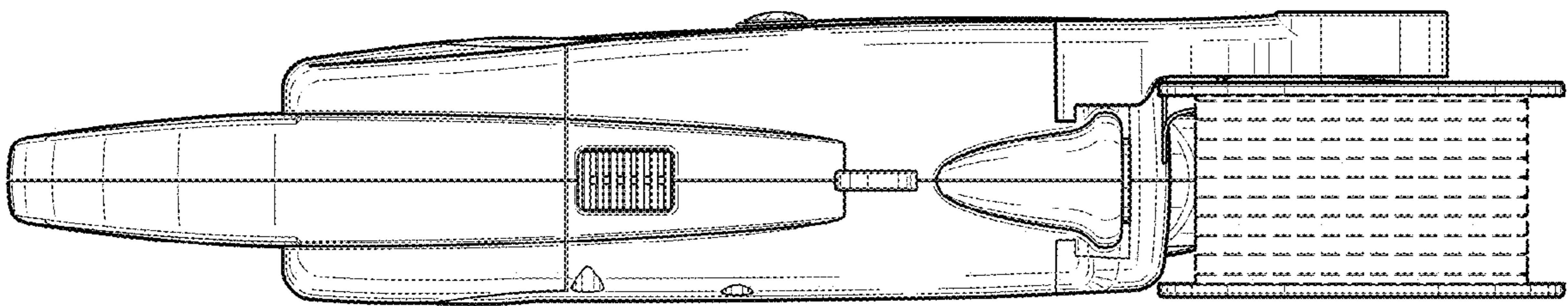


FIG. 6

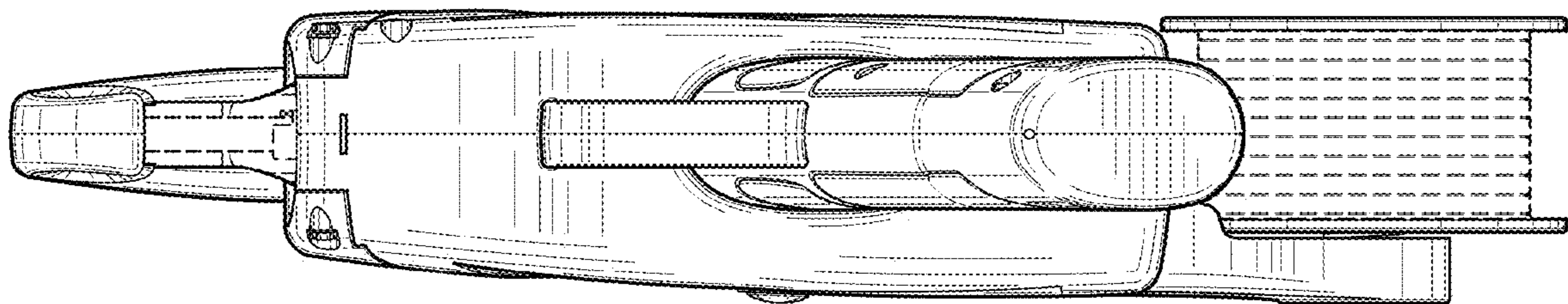


FIG. 7