



US00D935865S

(12) **United States Design Patent** (10) **Patent No.:** **US D935,865 S**
Hopp (45) **Date of Patent:** **** Nov. 16, 2021**

(54) **FRAMELESS THREE-DIMENSIONAL
ARTWORK DISPLAY APPARATUS**

(71) Applicant: **William Hopp**, Las Vegas, NV (US)

(72) Inventor: **William Hopp**, Las Vegas, NV (US)

(**) Term: **15 Years**

(21) Appl. No.: **29/682,545**

(22) Filed: **Mar. 6, 2019**

(51) **LOC (13) Cl.** **08-05**

(52) **U.S. Cl.**
USPC **D8/355; D6/300**

(58) **Field of Classification Search**
USPC D6/300–314, 512, 553, 566; D8/349,
D8/354, 355, 373; D19/90, 91
See application file for complete search history.

(56) **References Cited**

U.S. PATENT DOCUMENTS

D281,393 S *	11/1985	Karnhag	D6/552
D297,293 S *	8/1988	Fagan	D6/566
D445,457 S *	7/2001	Brumby	D19/90
D534,004 S *	12/2006	Waniga	D6/300
D610,437 S *	2/2010	Bremmon	D8/373
D616,729 S *	6/2010	Anderson	D8/355
D617,175 S *	6/2010	Anderson	D8/355
D671,816 S *	12/2012	Stone	D8/349
D691,380 S *	10/2013	Richeson	D6/312
D753,936 S *	4/2016	Roberts	D6/606
9,750,357 B2	9/2017	Hopp		
D899,899 S *	10/2020	Macher	D8/354
D900,595 S *	11/2020	Schmitz	D8/354
D901,665 S *	11/2020	Kunyckyj	D23/368

* cited by examiner

Primary Examiner — Deanna L Pratt

(74) *Attorney, Agent, or Firm* — Lesley A. Wallerstein,
LLC

(57) **CLAIM**

The ornamental design for a frameless three-dimensional artwork display apparatus, as shown and described.

DESCRIPTION

FIG. 1 is a front perspective view of a frameless three-dimensional artwork display apparatus, in an assembled configuration. The three-dimensional artwork shown in dashed lines throughout these drawings provides environmental context only and is not claimed as part of the invention.

FIG. 2 is a front perspective view of the frameless three-dimensional artwork display apparatus of FIG. 1, in a disassembled configuration and without three-dimensional artwork.

FIGS. 3-8 are front perspective views of the frameless three-dimensional artwork display apparatus of FIG. 1, shown being assembled and then integrated into a three-dimensional artwork.

FIGS. 9-11 are front perspective views of the frameless three-dimensional artwork display apparatus of FIG. 1, shown being hung on a wall. The wall shown in dashed lines is drawn for environmental context only and is not claimed as part of the invention.

FIG. 12 is a front view of the frameless three-dimensional artwork display apparatus of FIG. 1.

FIG. 13 is a back view of the frameless three-dimensional artwork display apparatus of FIG. 1.

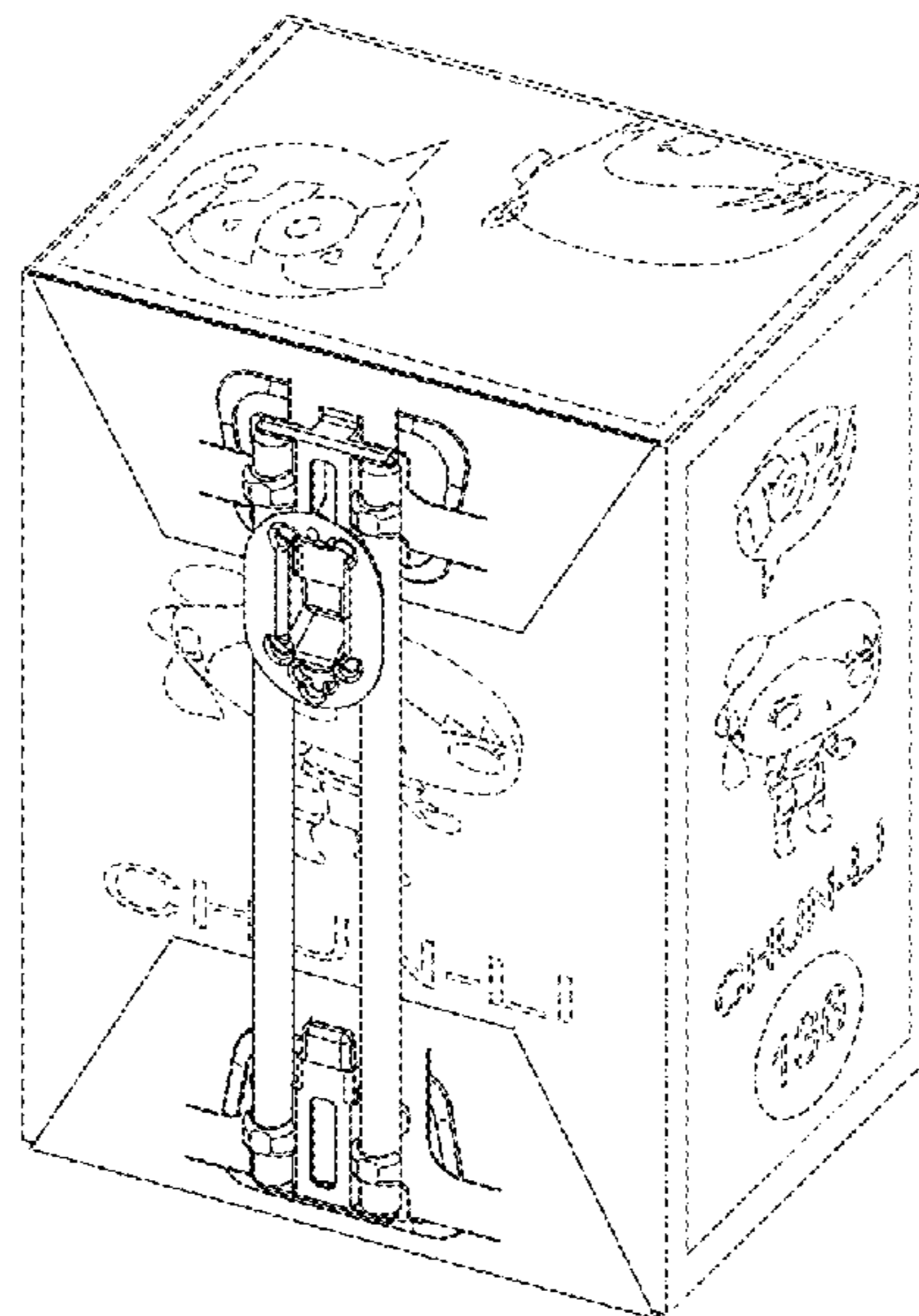
FIG. 14 is a right view of the frameless three-dimensional artwork display apparatus of FIG. 1.

FIG. 15 is a left view of the frameless three-dimensional artwork display apparatus of FIG. 1.

FIG. 16 is a top view of the frameless three-dimensional artwork display apparatus of FIG. 1; and,

FIG. 17 is a bottom view of the frameless three-dimensional artwork display apparatus of FIG. 1.

1 Claim, 8 Drawing Sheets



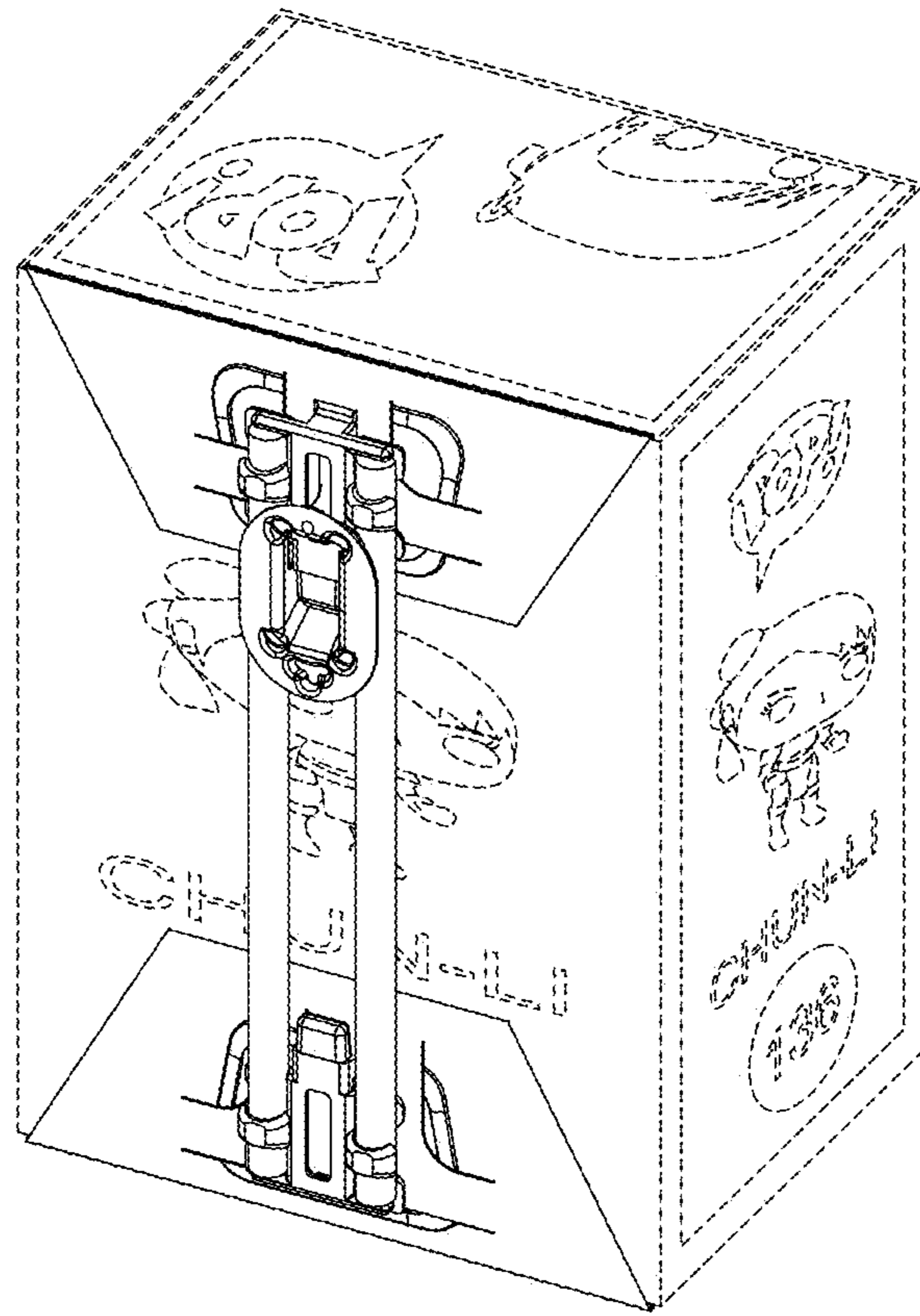


FIG. 1

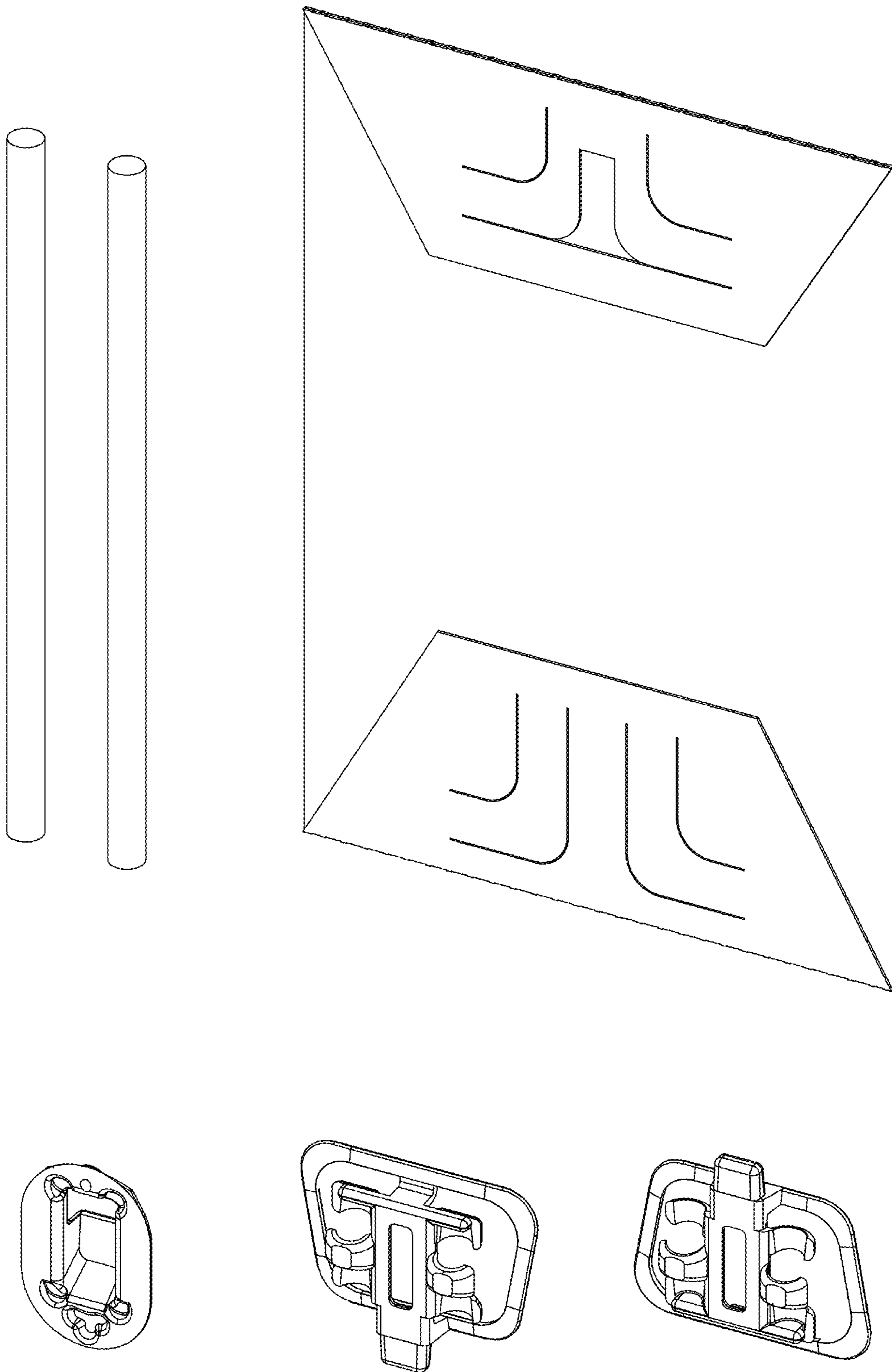


FIG. 2

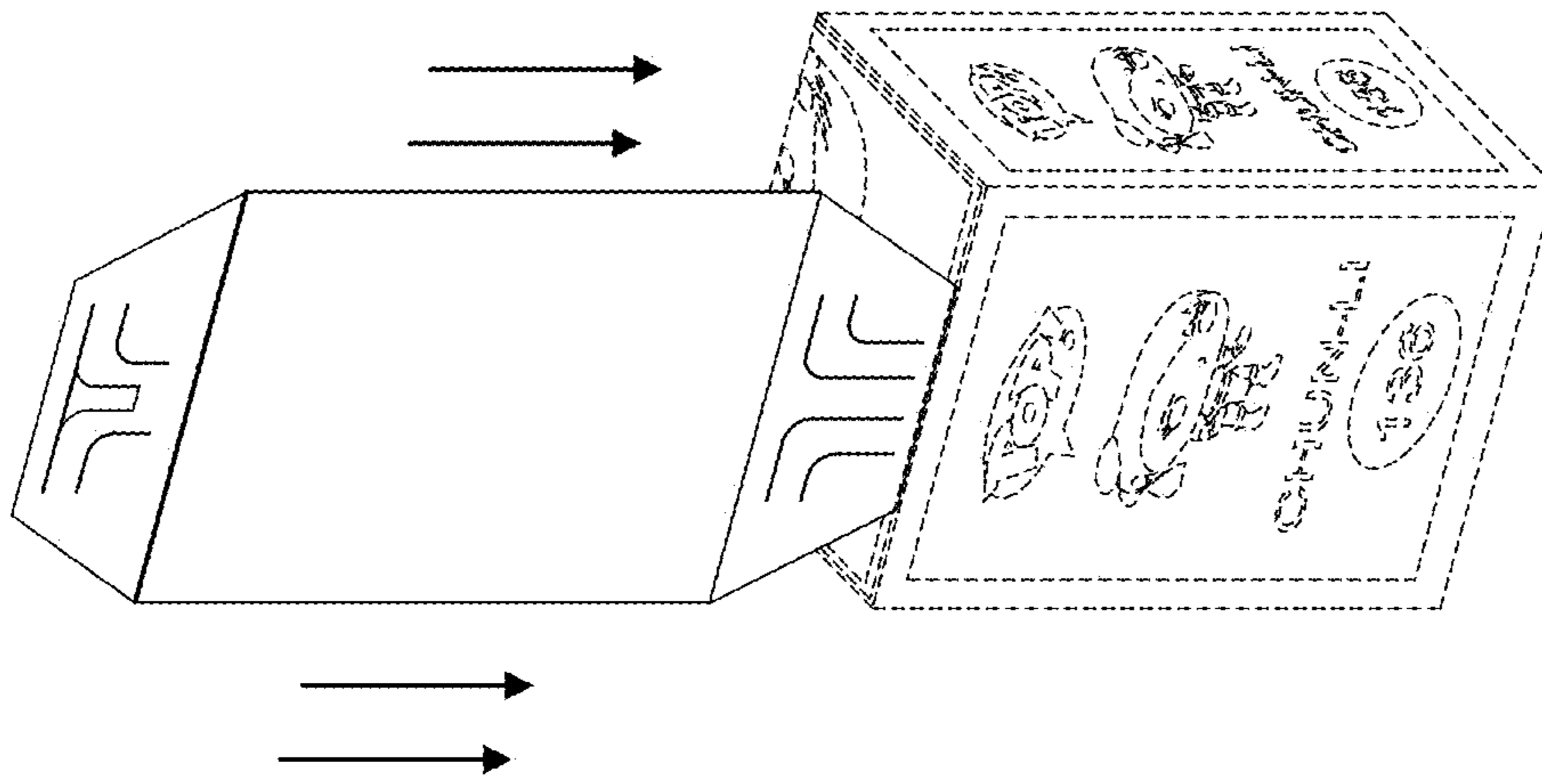


FIG. 3

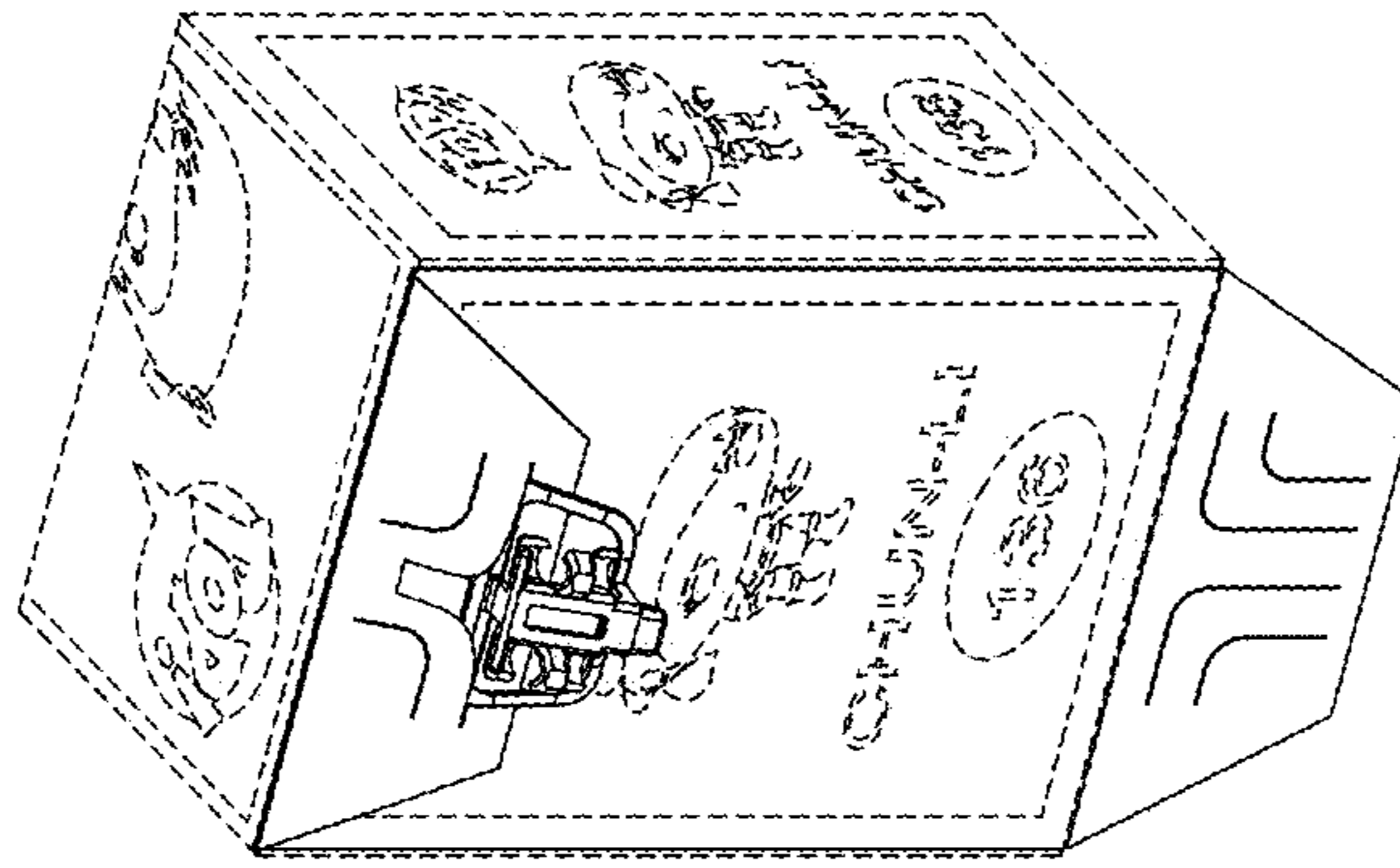


FIG. 4

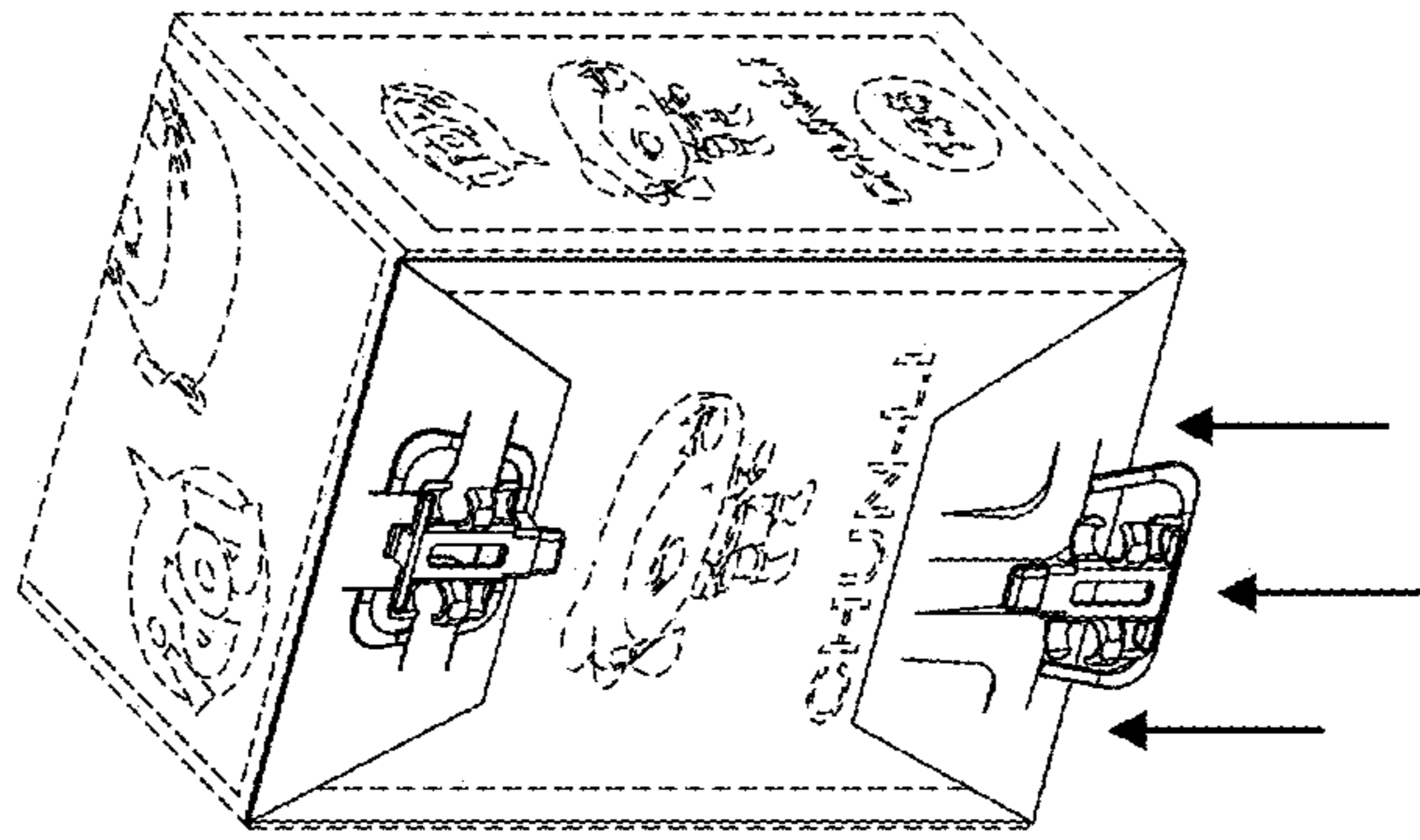


FIG. 5

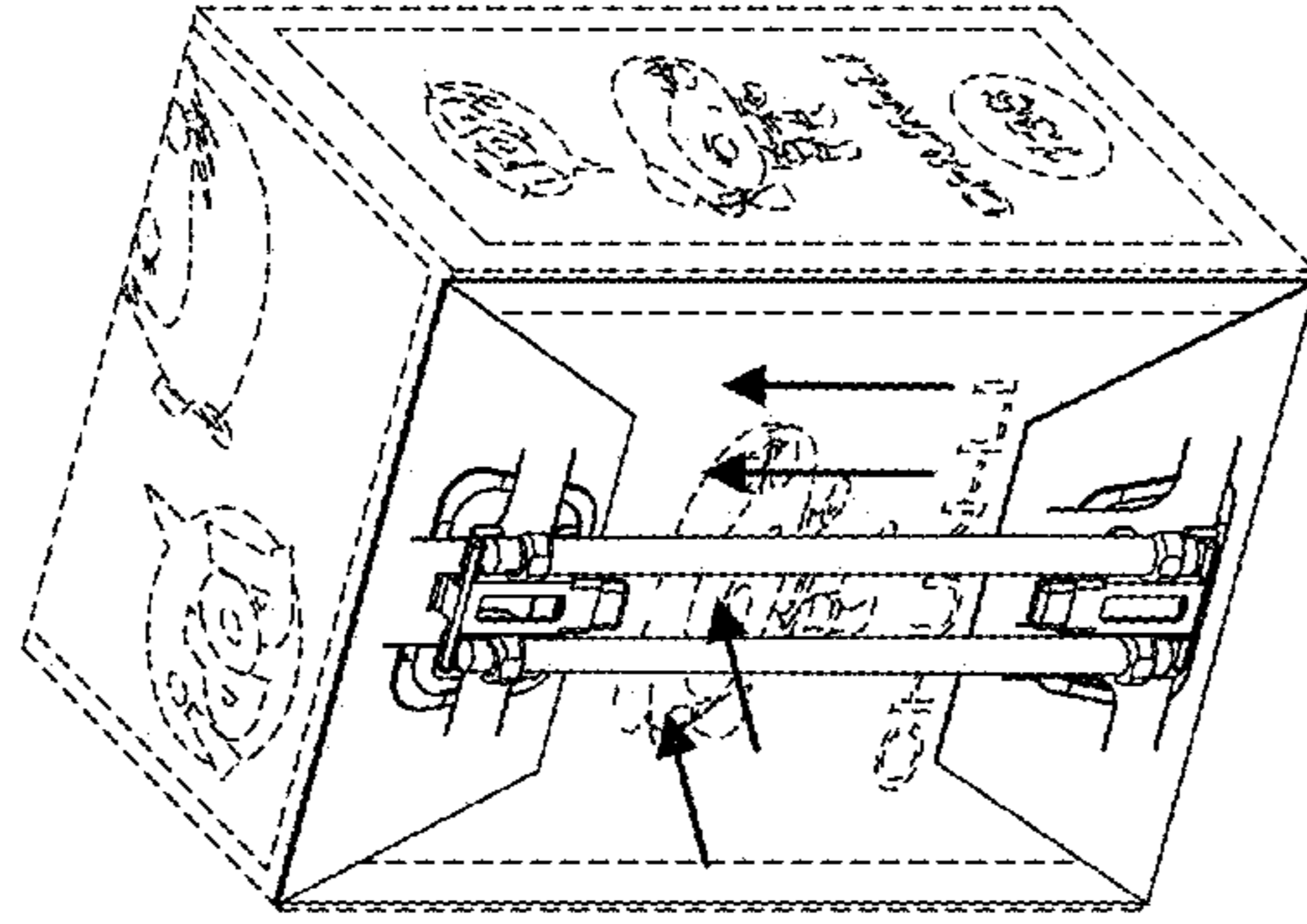


FIG. 6

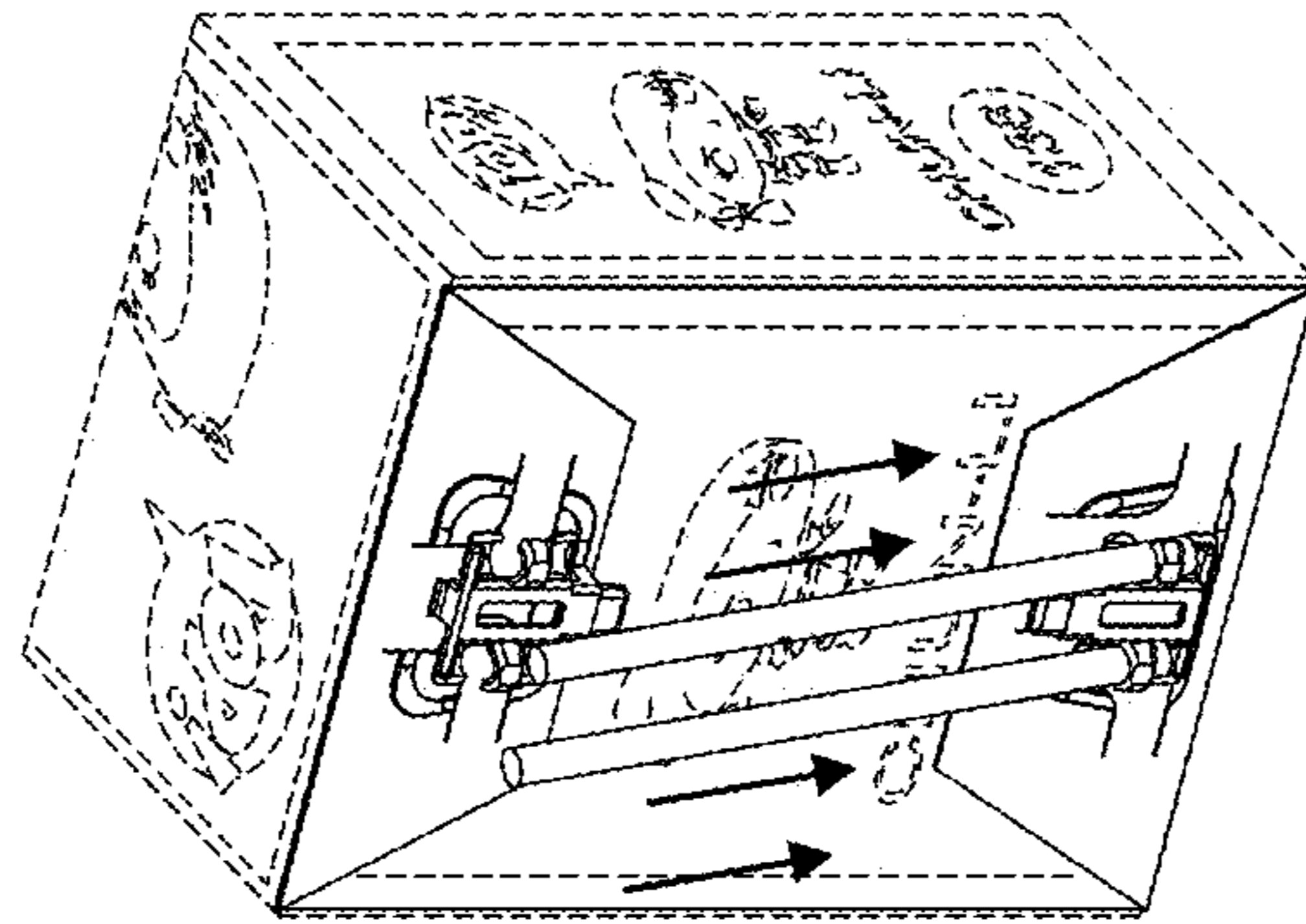


FIG. 7

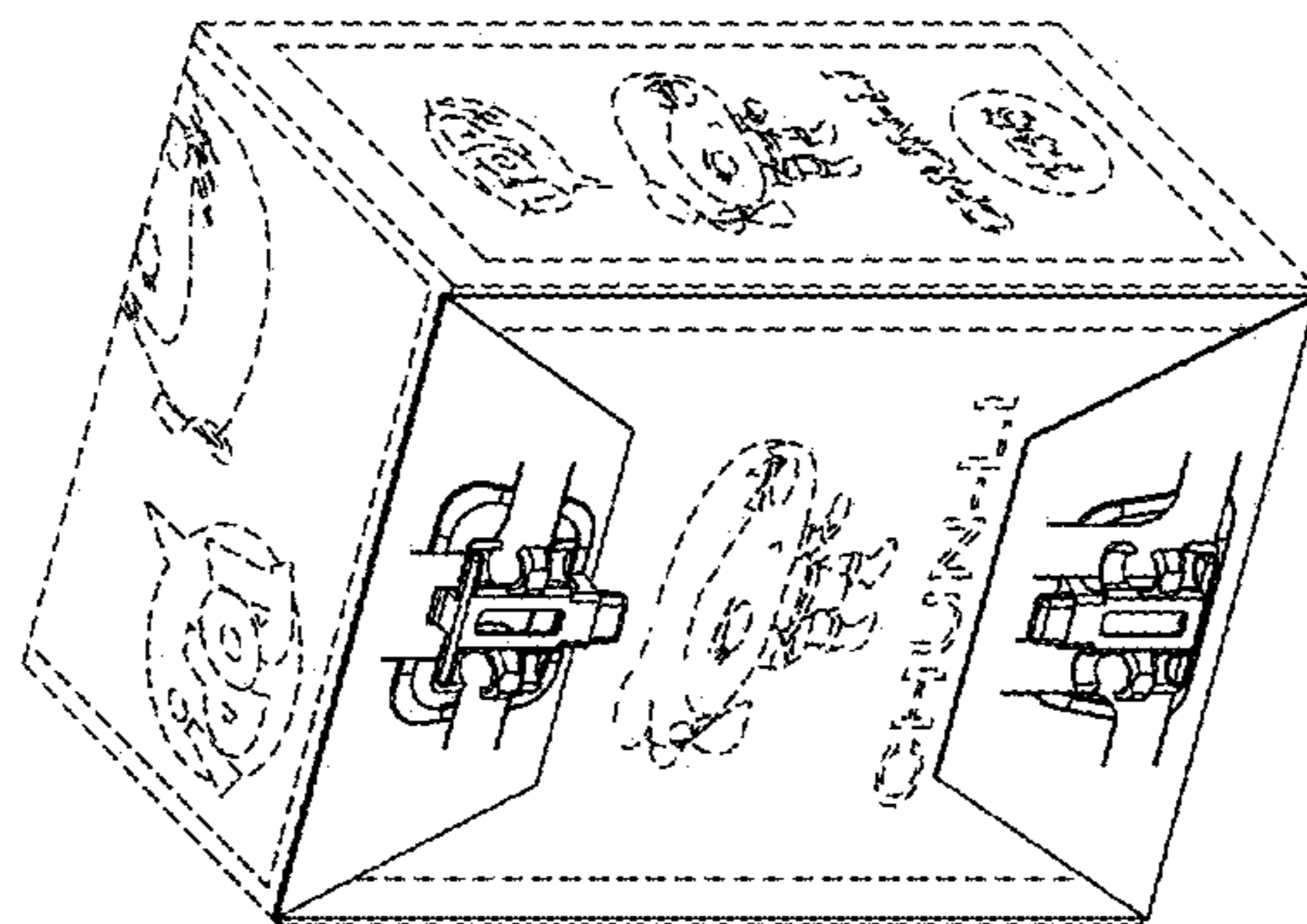


FIG. 8

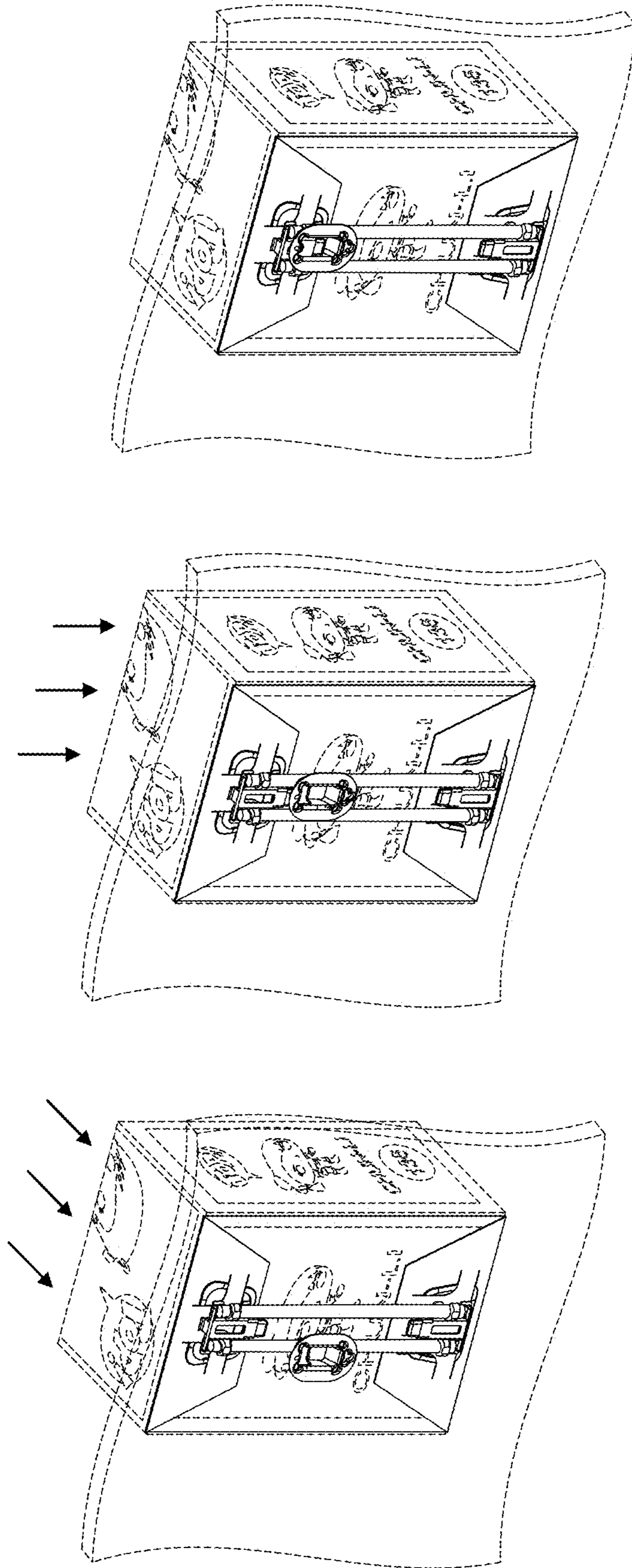


FIG. 11

FIG. 10

FIG. 9

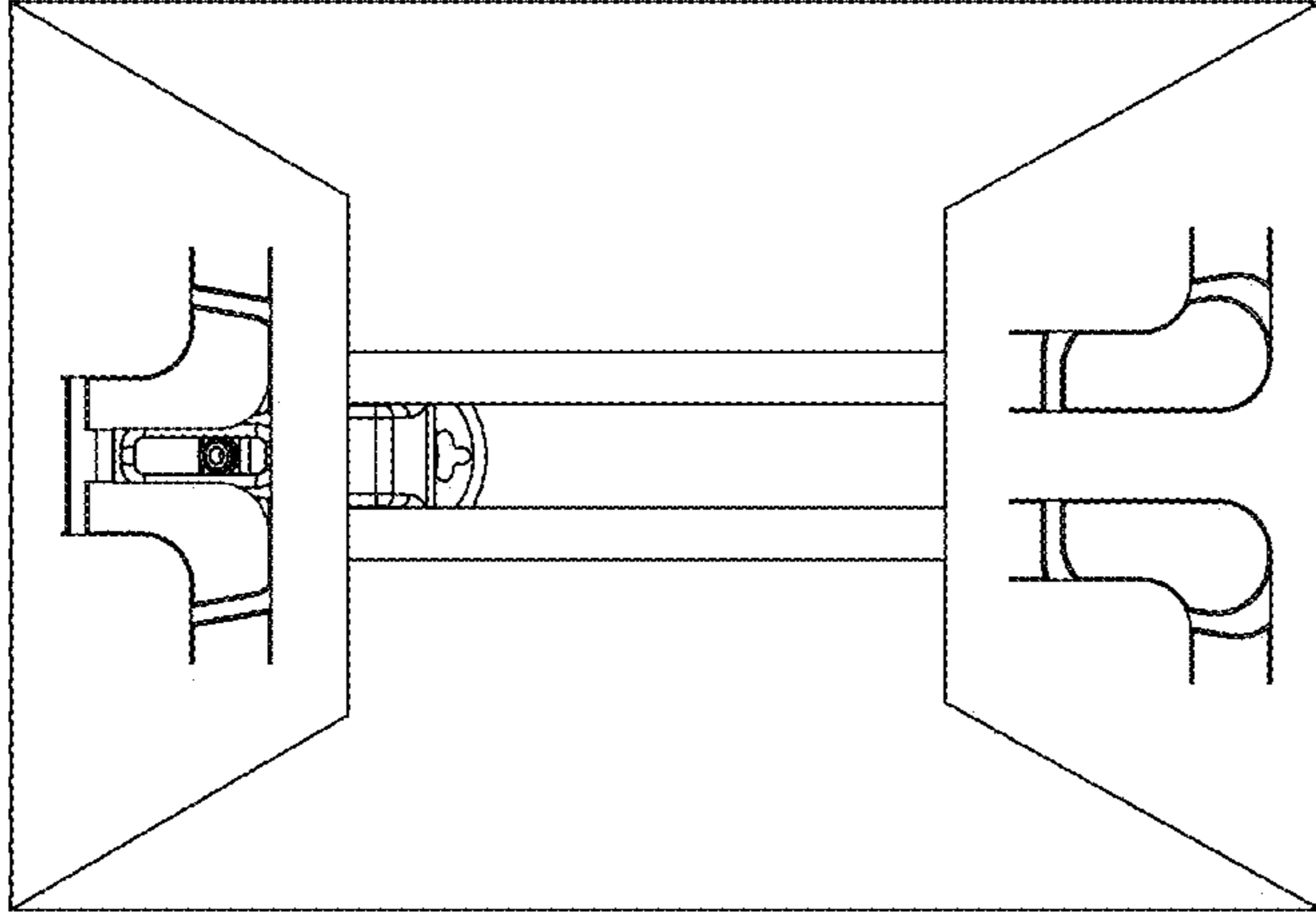


FIG. 12

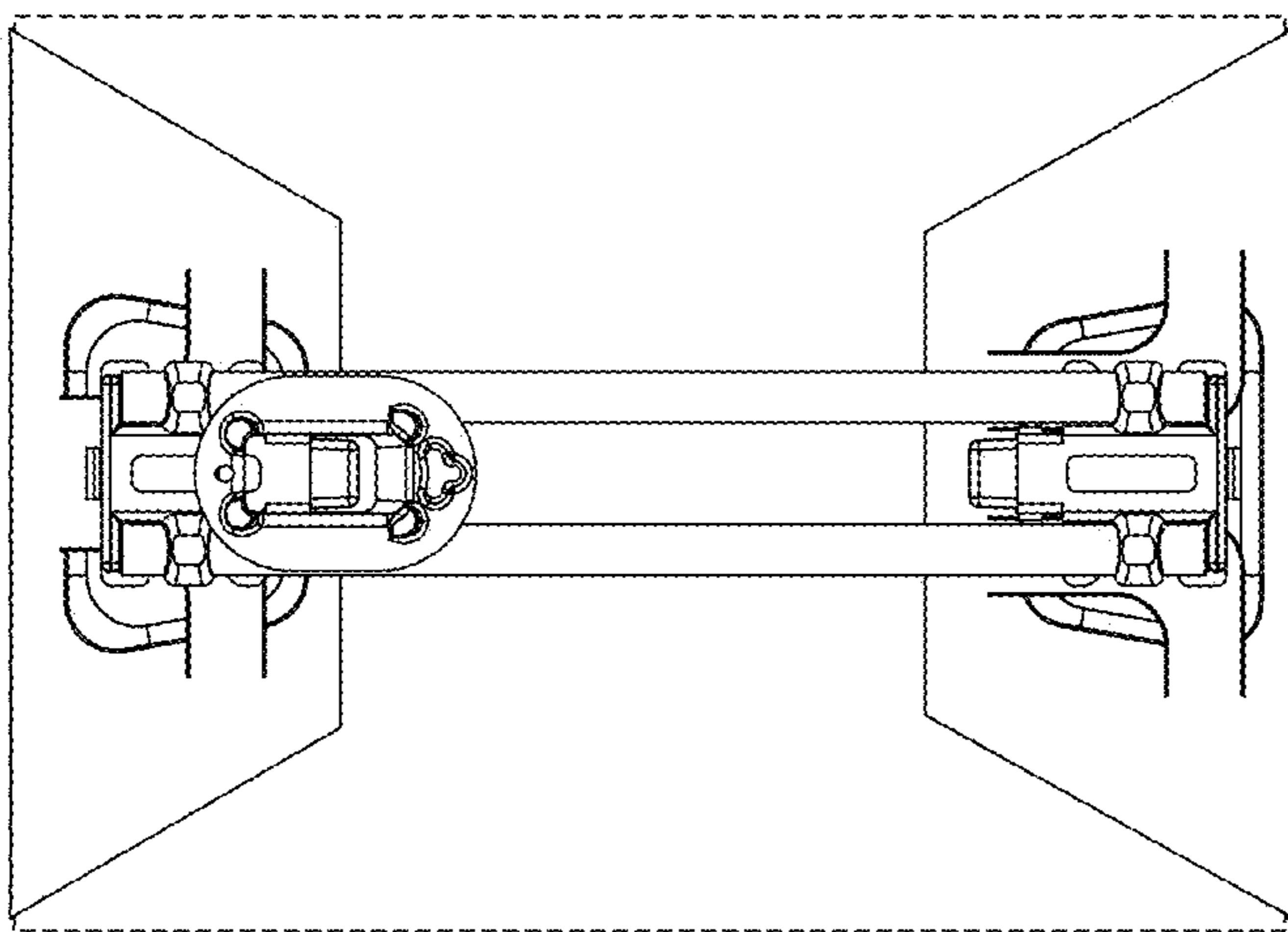


FIG. 13

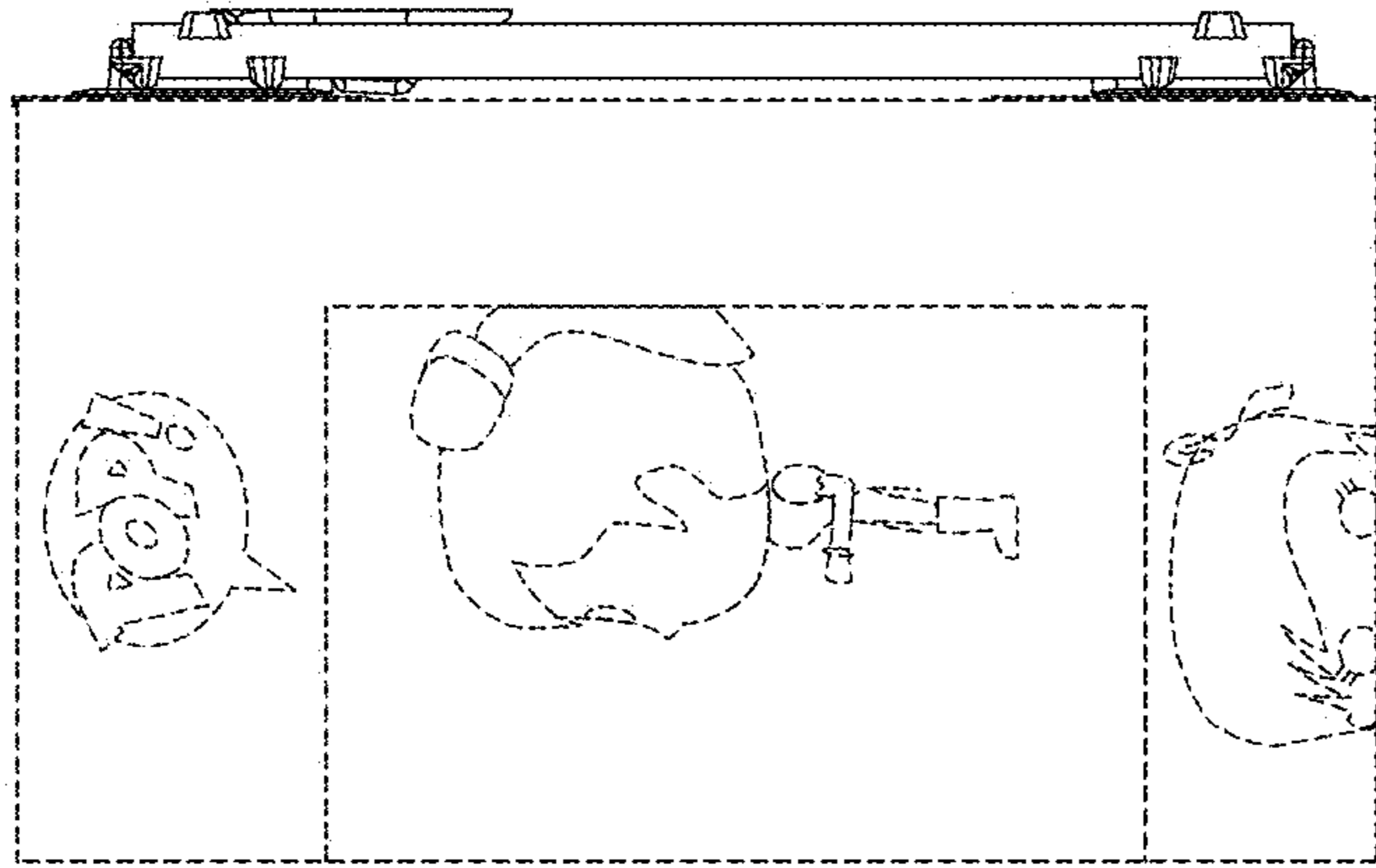


FIG. 15

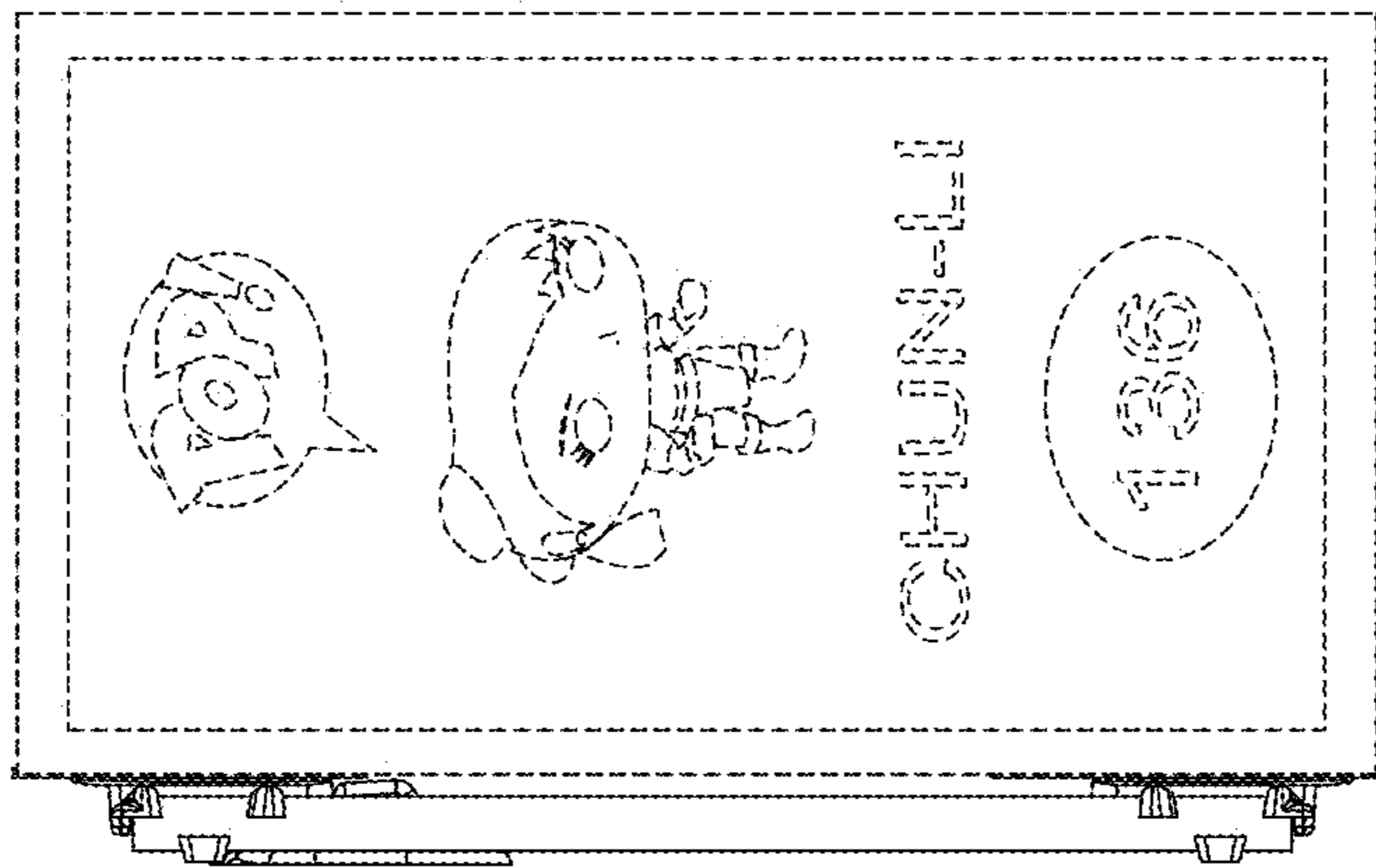


FIG. 14

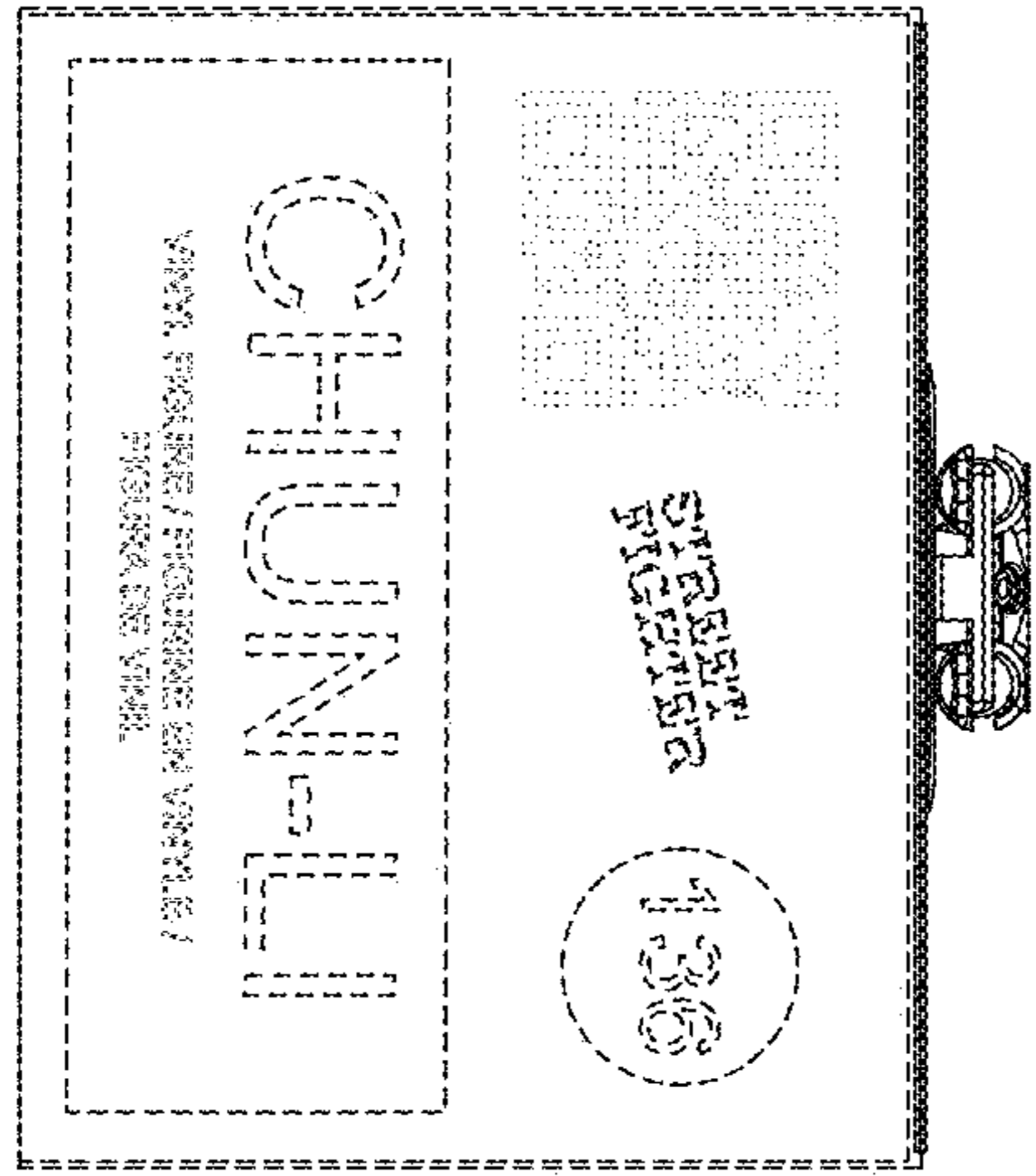


FIG. 17

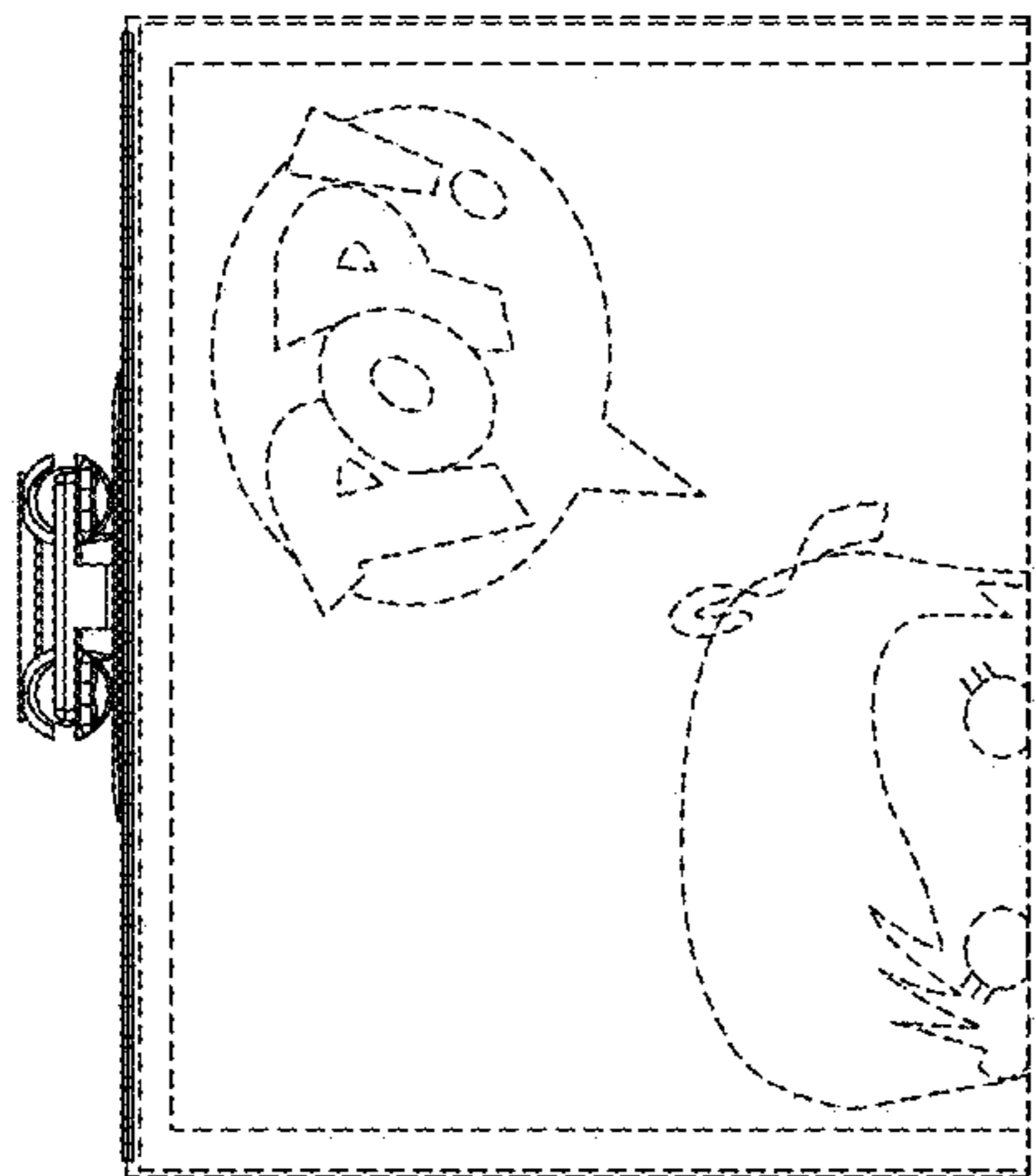


FIG. 16