



US00D935864S

(12) **United States Design Patent**  
**Janna**

(10) **Patent No.:** **US D935,864 S**

(45) **Date of Patent:** **\*\* Nov. 16, 2021**

- (54) **FUEL PUMP HANDLE HOLDER**
- (71) Applicant: **Sied Janna**, Memphis, TN (US)
- (72) Inventor: **Sied Janna**, Memphis, TN (US)
- (\*\*) Term: **15 Years**
- (21) Appl. No.: **29/613,448**
- (22) Filed: **Aug. 10, 2017**
- (51) **LOC (13) Cl.** ..... **08-05**
- (52) **U.S. Cl.**  
USPC ..... **D8/354**
- (58) **Field of Classification Search**  
USPC .... D8/367, 354, 349, 356, 370, 355, 44, 24,  
D8/25, 33, 383, 19, 330; D19/203  
CPC ..... F16B 2/20; Y10T 24/45199; B60N 2/26;  
F16G 1/00; H02G 3/24  
See application file for complete search history.

(56) **References Cited**

**U.S. PATENT DOCUMENTS**

- 3,056,309 A \* 10/1962 Horste ..... B62D 55/211  
474/218
- 3,474,382 A \* 10/1969 Coon ..... H01R 24/58  
439/222
- D346,317 S \* 4/1994 Throneberry ..... 279/149
- D372,420 S \* 8/1996 Mendez ..... D8/356
- 5,742,213 A \* 4/1998 Reynolds ..... H03H 7/42  
333/131
- 6,558,835 B1 \* 5/2003 Kurisu ..... H01M 2/105  
429/156
- D494,450 S \* 8/2004 Schultz ..... D8/356
- D534,065 S \* 12/2006 Andre ..... D8/395

- D577,990 S \* 10/2008 Andre ..... D14/205
- D629,803 S \* 12/2010 St. Ives ..... D14/396
- 8,602,370 B2 \* 12/2013 McKenzie ..... A47G 25/1464  
248/215
- D747,413 S \* 1/2016 Hoyt Drazen ..... D19/203
- D752,955 S \* 4/2016 Rowan ..... B62D 55/211  
474/218
- D775,937 S \* 1/2017 Davis ..... H01M 2/105  
429/156
- D786,048 S \* 5/2017 Grewal ..... H03H 7/42  
333/131
- D886,993 S \* 6/2020 Dwyer ..... H01R 24/58  
439/222
- 2008/0099353 A1 \* 5/2008 Parsons ..... B65D 5/0209  
206/266

\* cited by examiner

*Primary Examiner* — Keli L Hill

*Assistant Examiner* — Harold E Blackwell, II

(57) **CLAIM**

The ornamental design for a fuel pump handle holder, as shown and described.

**DESCRIPTION**

FIG. 1 is a front/top, right-side view of a fuel pump handle holder.

FIG. 2 is a top view of the fuel pump handle holder.

FIG. 3 is a front view of the fuel pump handle holder.

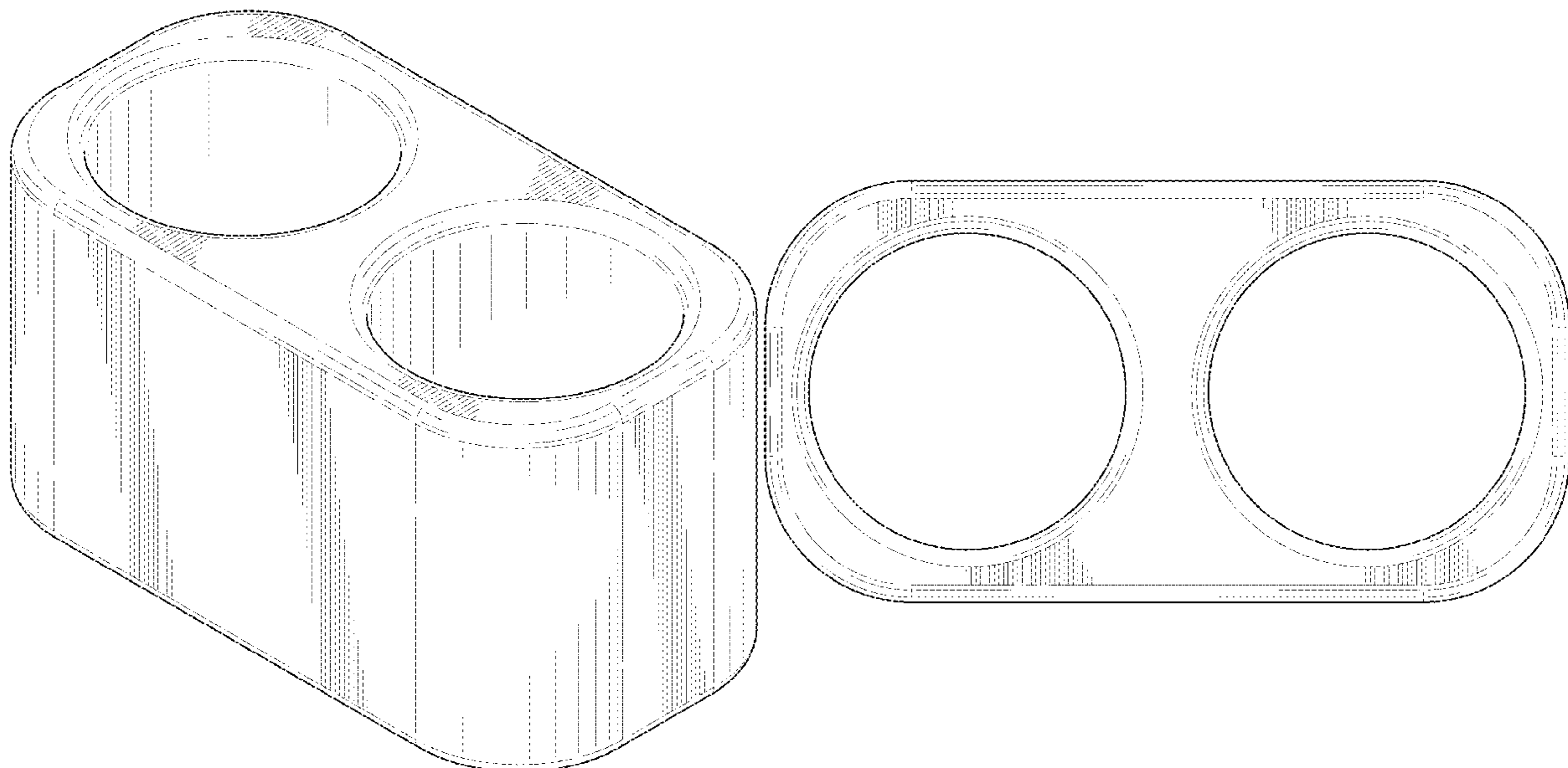
FIG. 4 is a right-side view of the fuel pump handle holder.

FIG. 5 is a bottom view of the fuel pump handle holder.

FIG. 6 is a back view of the fuel pump handle holder; and,

FIG. 7 is a left-side view of the fuel pump handle holder.

**1 Claim, 4 Drawing Sheets**



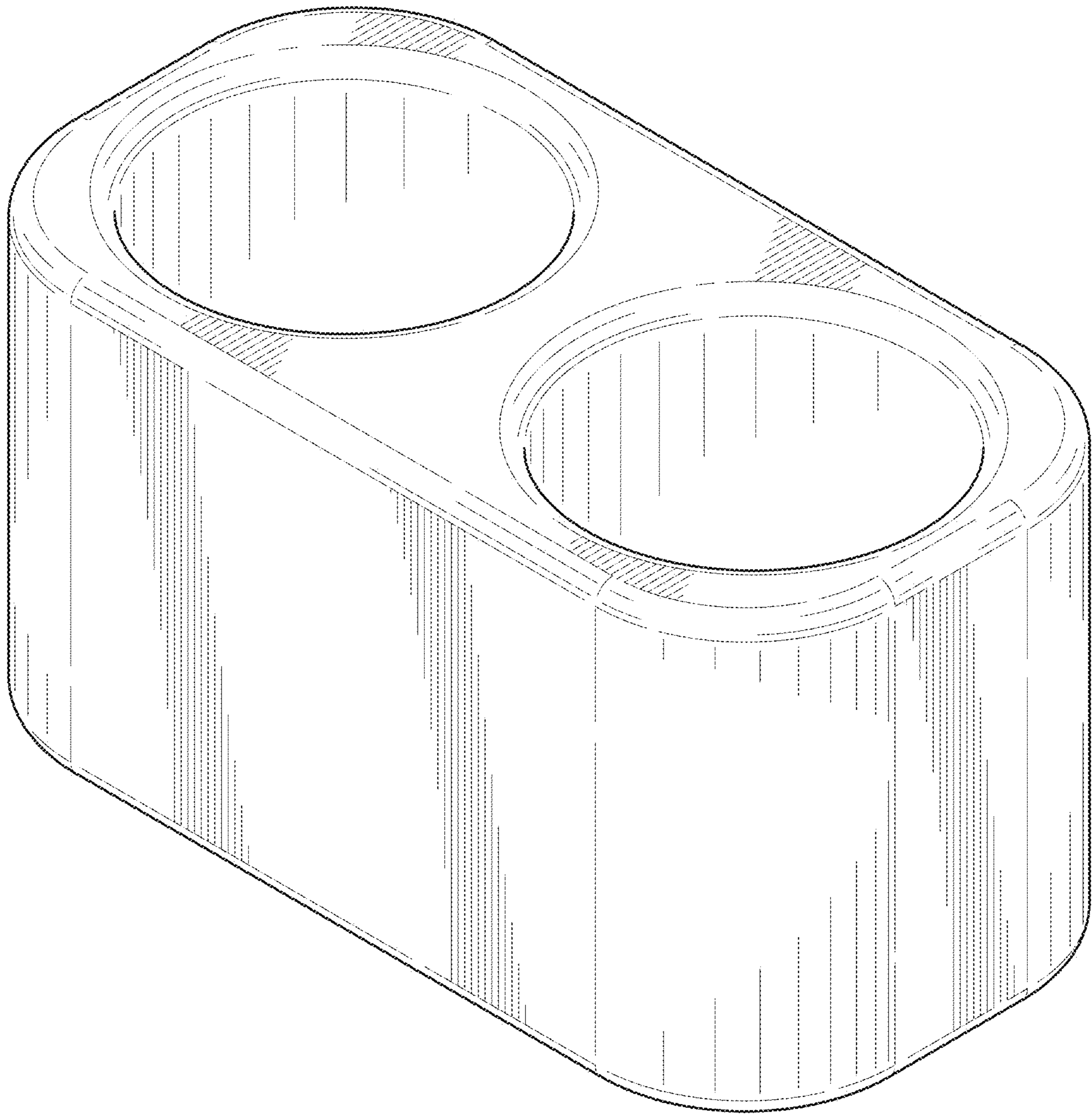


FIG. 1

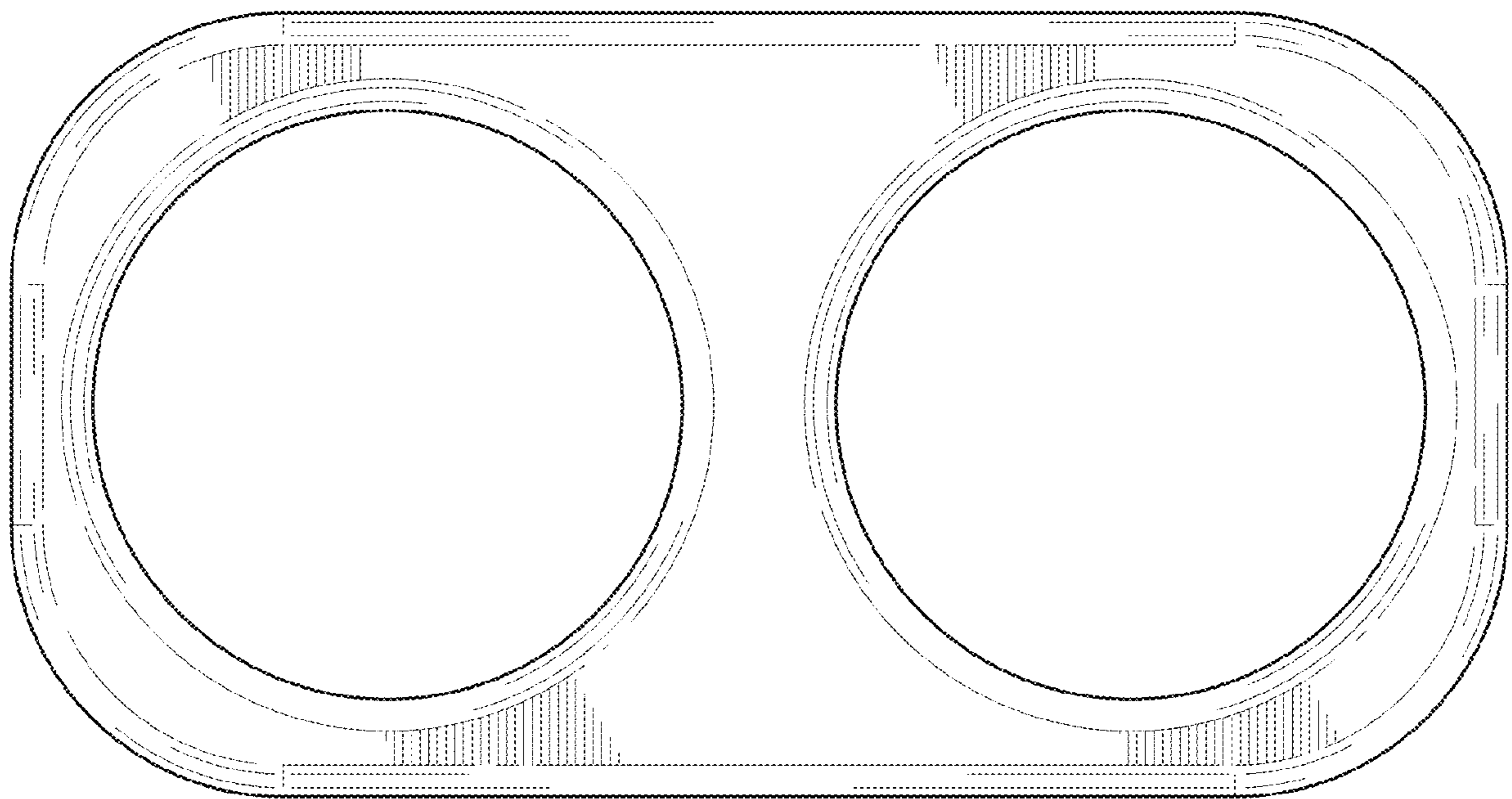


FIG. 2

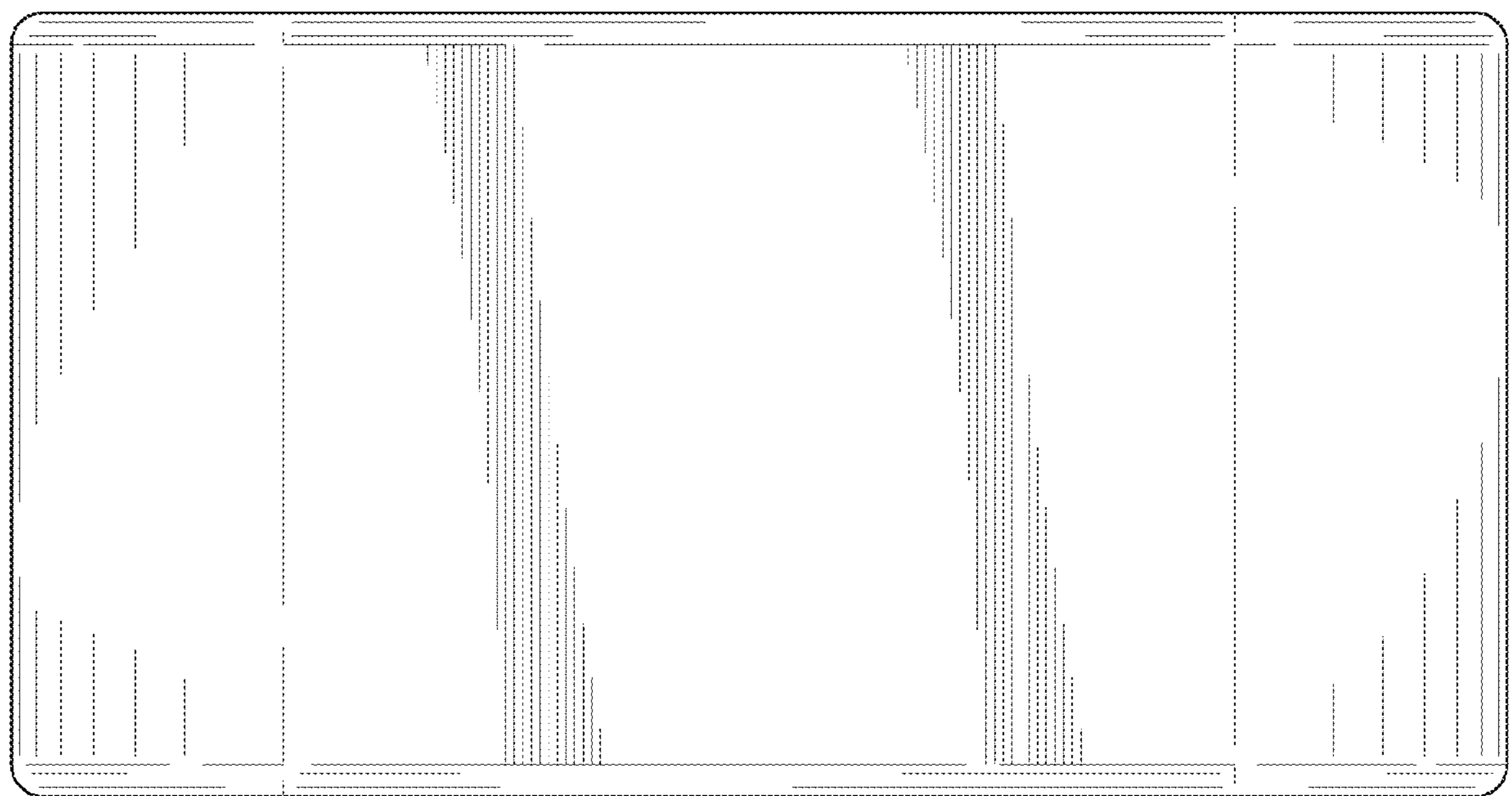


FIG. 3

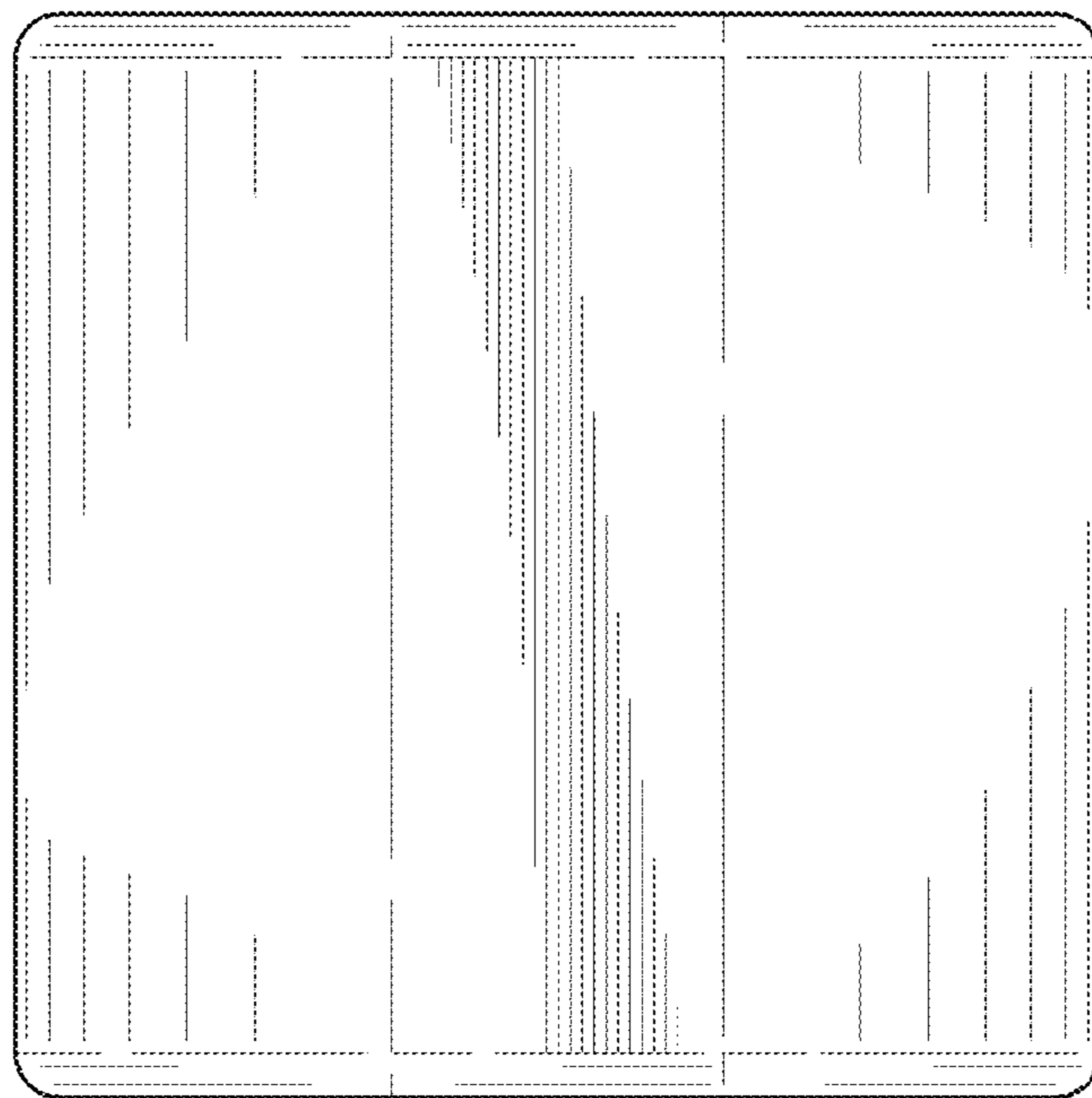


FIG. 4

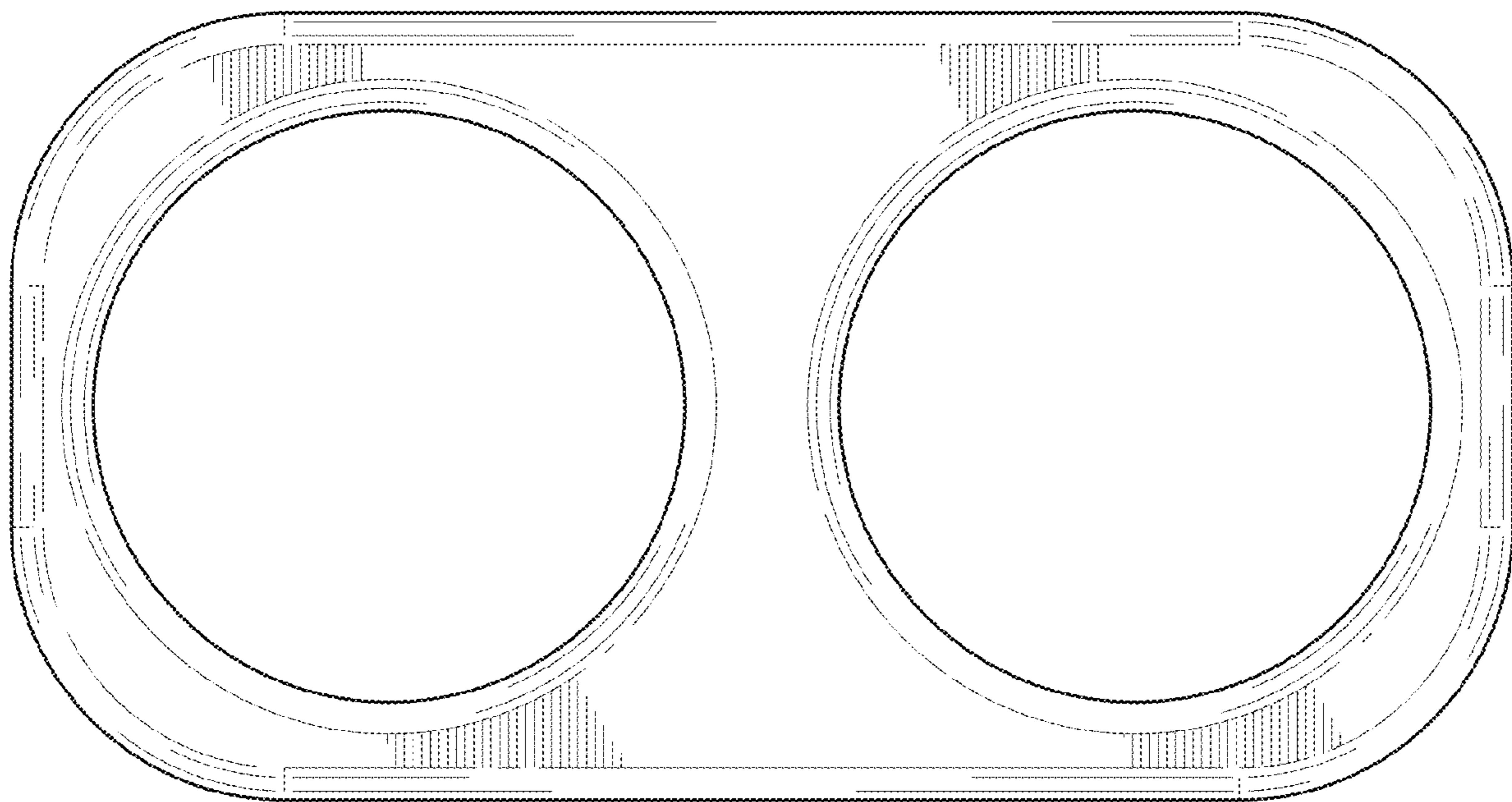


FIG. 5

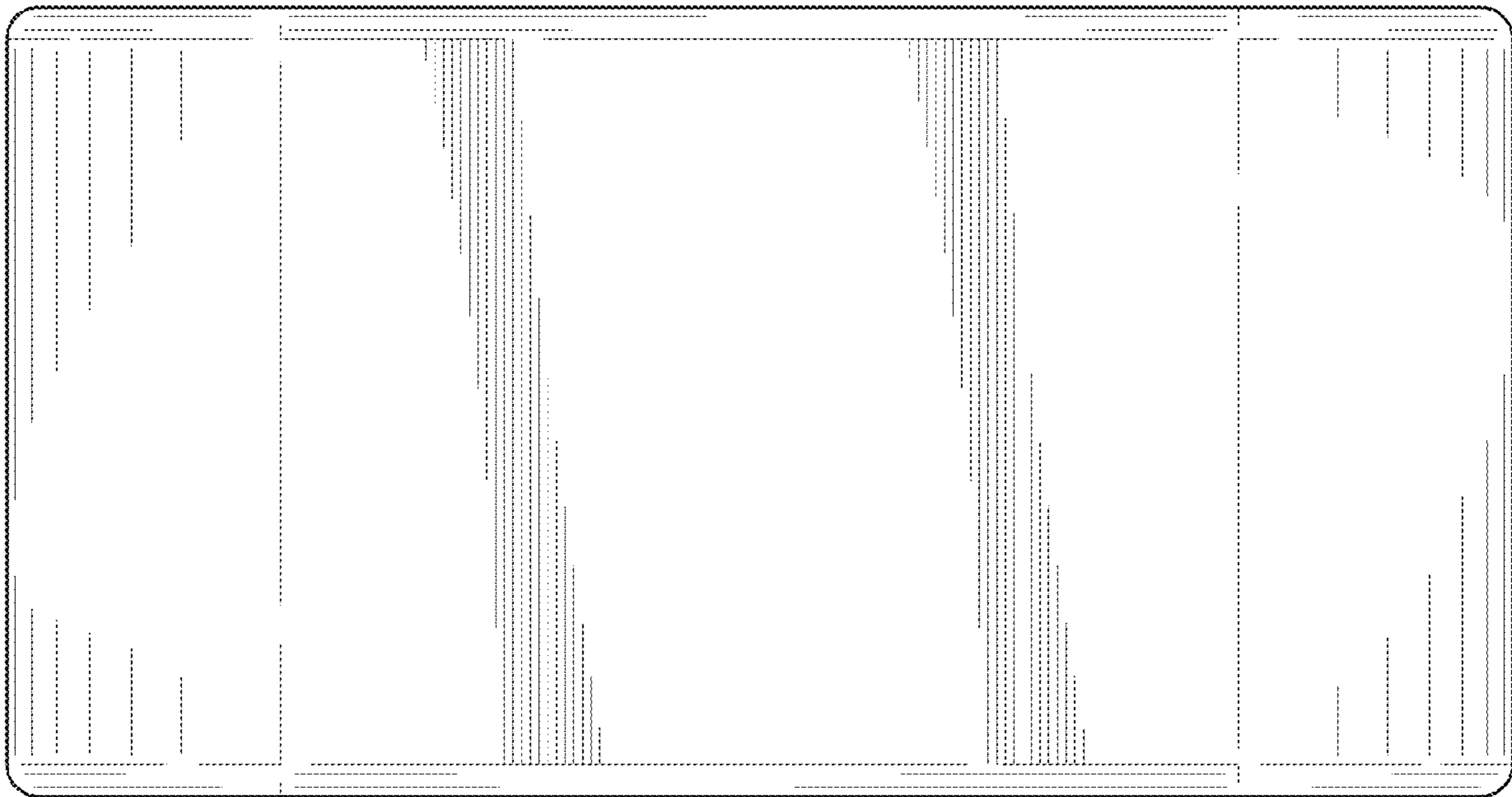


FIG. 6

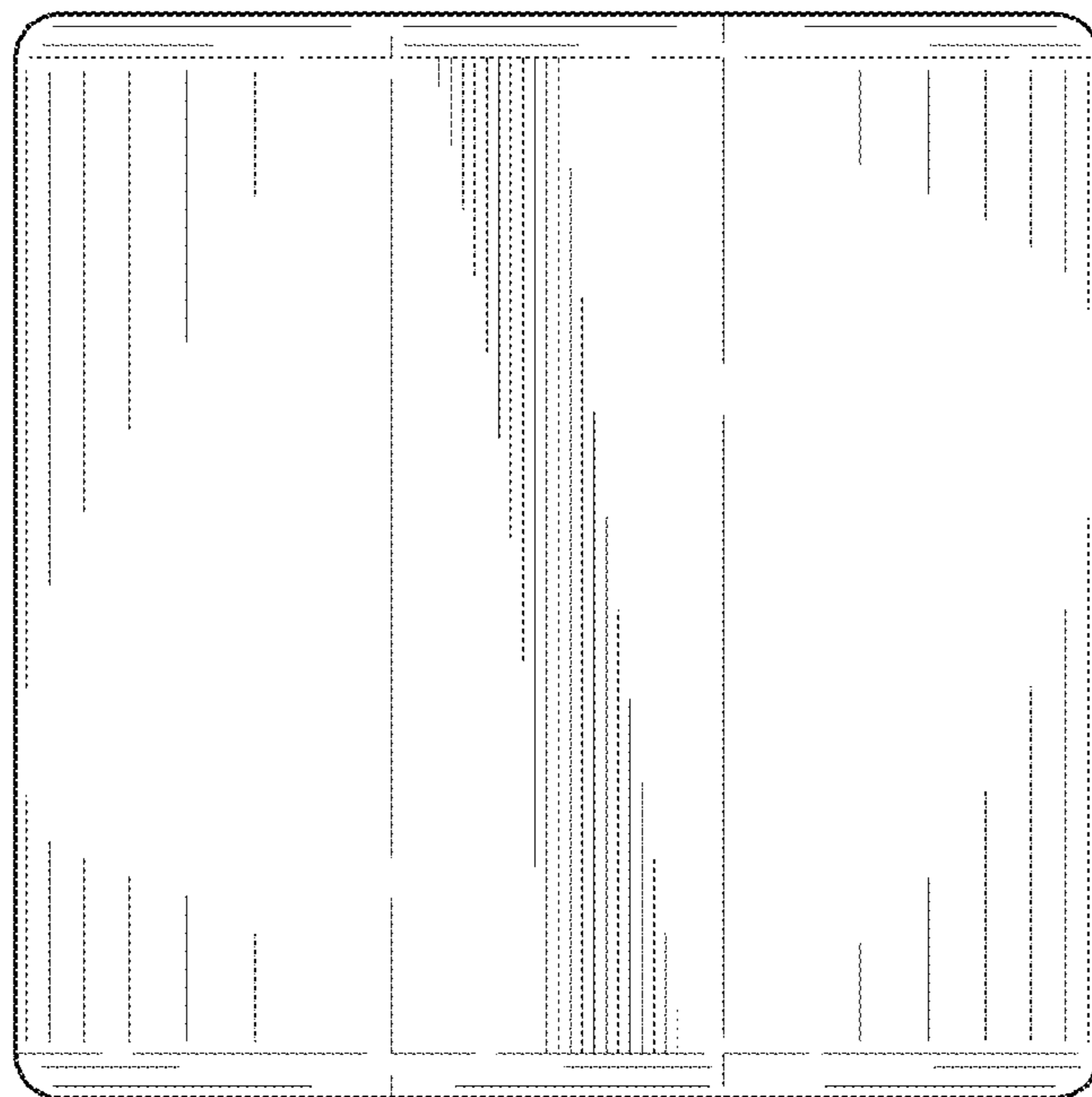


FIG. 7