



US00D935863S

(12) **United States Design Patent**
Chen

(10) **Patent No.:** **US D935,863 S**

(45) **Date of Patent:** **** Nov. 16, 2021**

(54) **READER FOR ELECTRONIC LOCK**

(71) Applicant: **POWERTEK HARDWARE CO., LTD.**, Taichung (TW)

(72) Inventor: **Chung-Yu Chen**, Taichung (TW)

(73) Assignee: **POWERTEK HARDWARE CO., LTD.**, Taichung (TW)

(**) Term: **15 Years**

(21) Appl. No.: **29/715,325**

(22) Filed: **Dec. 2, 2019**

(30) **Foreign Application Priority Data**

Aug. 15, 2019 (TW) 108304866

(51) **LOC (13) Cl.** **08-07**

(52) **U.S. Cl.**
USPC **D8/343**

(58) **Field of Classification Search**

USPC D10/46, 104.1; D8/330, 331, 343
CPC .. G07C 9/00174; G07C 9/00309; G07C 9/20;
G07C 9/22; G07C 9/30; G07C 9/00182;
G07C 2009/00968; G07C 7/00; G06K
7/0017; G06K 7/0047; G06K 7/0056;
G06K 7/0004; G06K 7/0008; G06K
2007/10524; G06K 7/10554; G06K
7/10603; G06K 9/00; E05B 49/006; E05B
47/0046; E05B 47/0001; E05B 47/0011;
E05B 2047/0014; E05B 2047/0018; E05B
2047/0048; E05B 2047/0085

See application file for complete search history.

(56) **References Cited**

U.S. PATENT DOCUMENTS

D388,309 S * 12/1997 Hamilton D8/330
D452,133 S * 12/2001 Rubensson D8/343

D511,674 S * 11/2005 Myers D8/331
D582,252 S * 12/2008 Cameron D8/343
D649,431 S * 11/2011 Shartel D8/330
9,286,790 B2 * 3/2016 Lyman G08B 17/02
9,470,017 B1 * 10/2016 Cheng E05C 1/004
D787,299 S * 5/2017 Liu D8/331
10,017,963 B2 * 7/2018 Johnson E05B 39/00
10,704,293 B2 * 7/2020 Almomani E05B 47/026

* cited by examiner

Primary Examiner — Doris Clark

(74) *Attorney, Agent, or Firm* — Pai Patent & Trademark Law Firm; Chao-Chang David Pai

(57) **CLAIM**

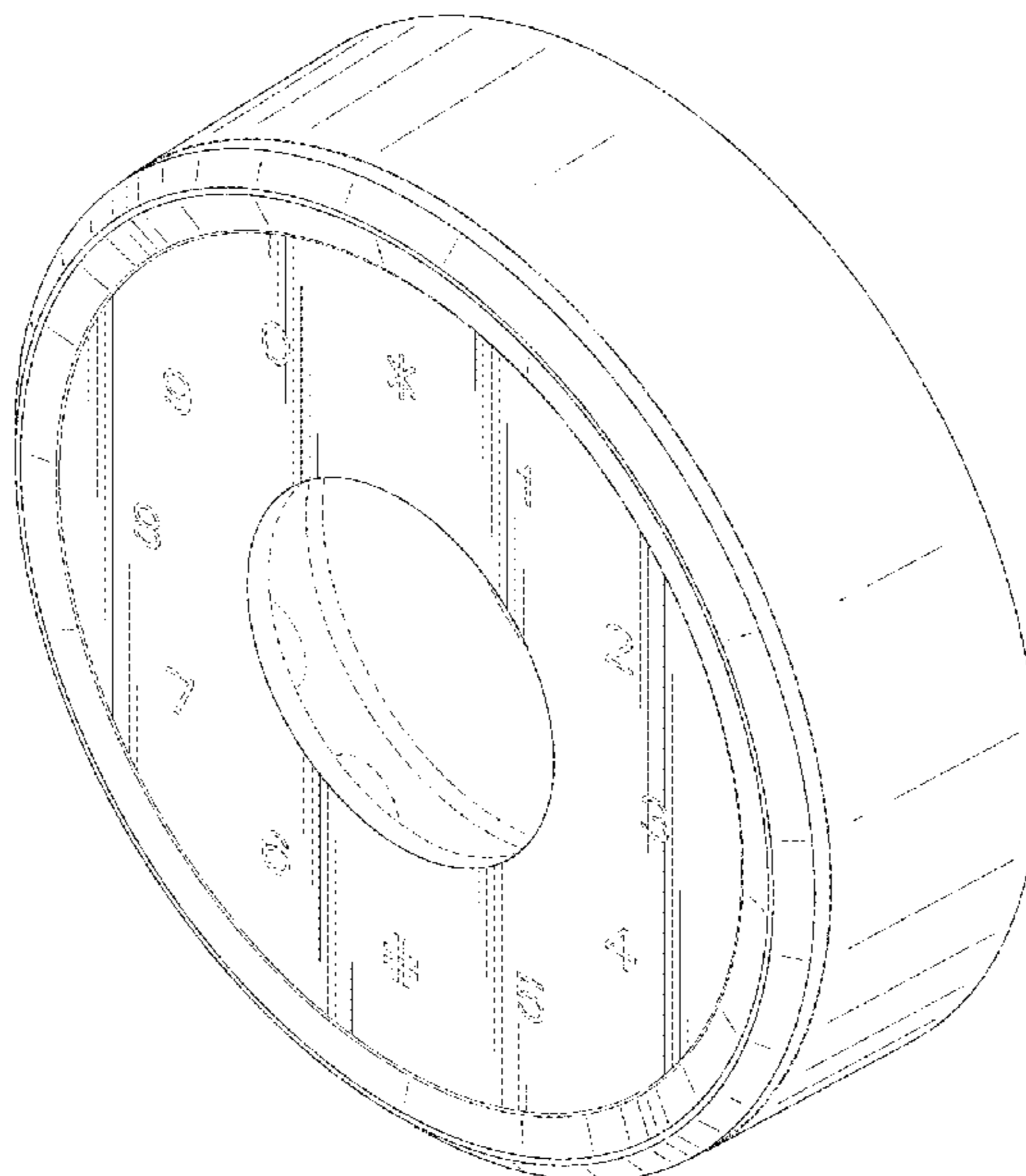
The ornamental design for a reader for electronic lock, as shown and described.

DESCRIPTION

FIG. 1 is a front top perspective view of a reader for electronic lock showing my new design; FIG. 2 is a front elevational view thereof; FIG. 3 is a rear elevational view thereof; FIG. 4 is a left side elevational view thereof; FIG. 5 is a right side elevational view thereof; FIG. 6 is a top plan view thereof; FIG. 7 is a bottom plan view thereof; FIG. 8 is a section view of 8-8 of FIG. 3 thereof; FIG. 9 is a rear top perspective view thereof; and, FIG. 10 is a front top perspective view thereof, shown in an environment thereof.

The broken lines within the middle circular opening of the reader for electronic lock in FIG. 10 depict the environment thereof and form no part of the claimed design; the broken lines elsewhere in the drawings illustrate portions of the reader for electronic lock that form no part of the claimed design.

1 Claim, 9 Drawing Sheets



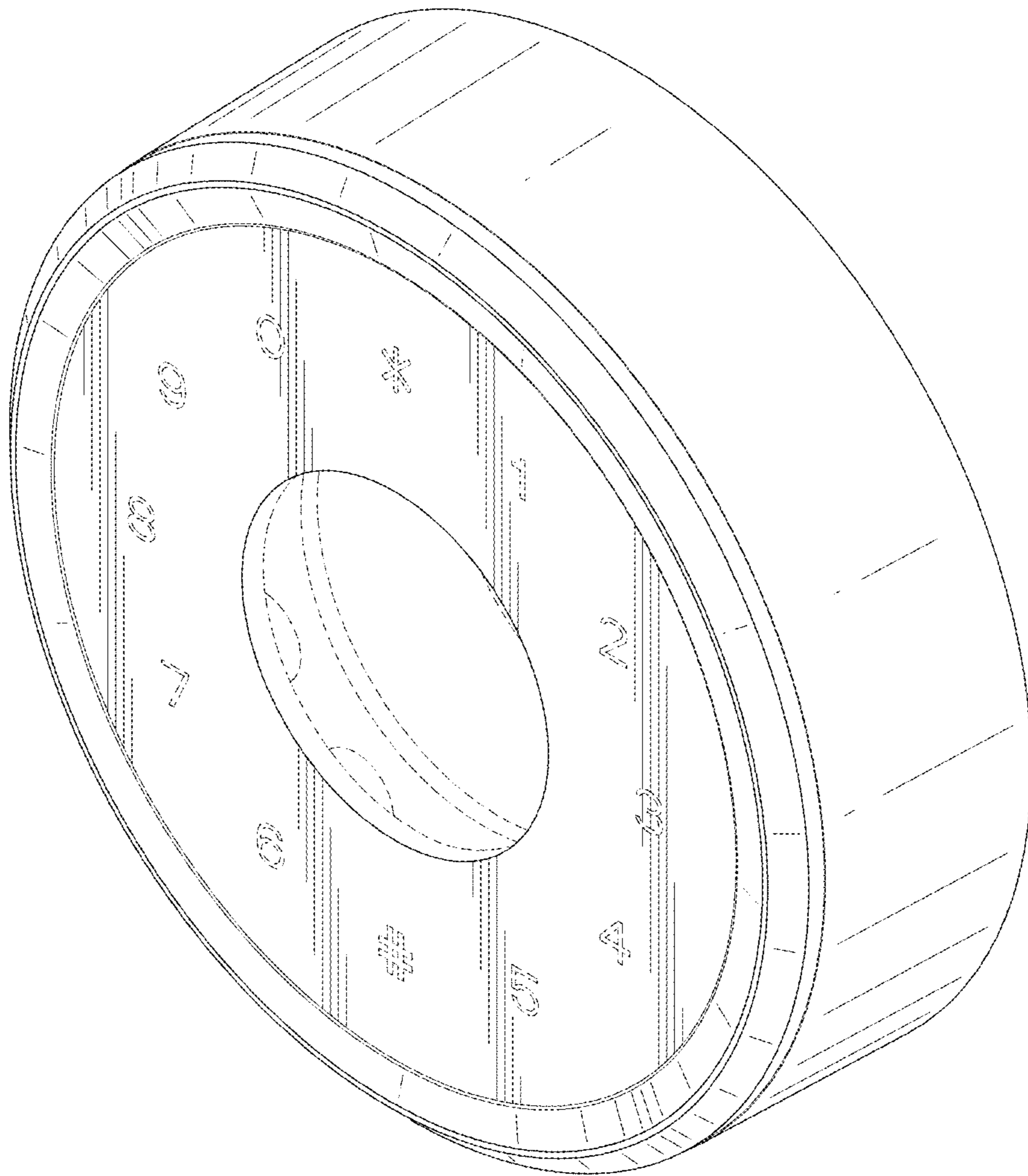


FIG. 1

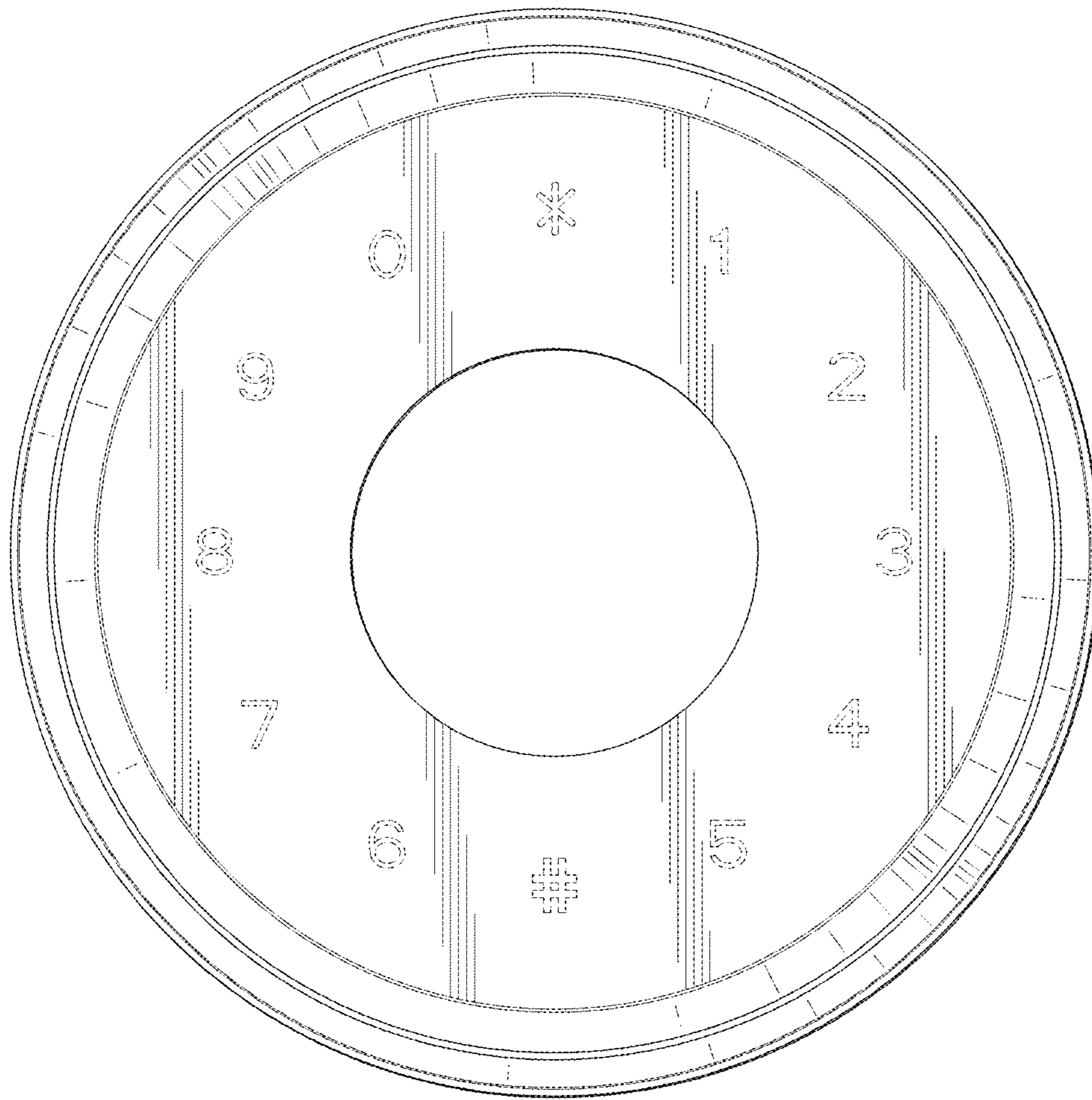


FIG. 2

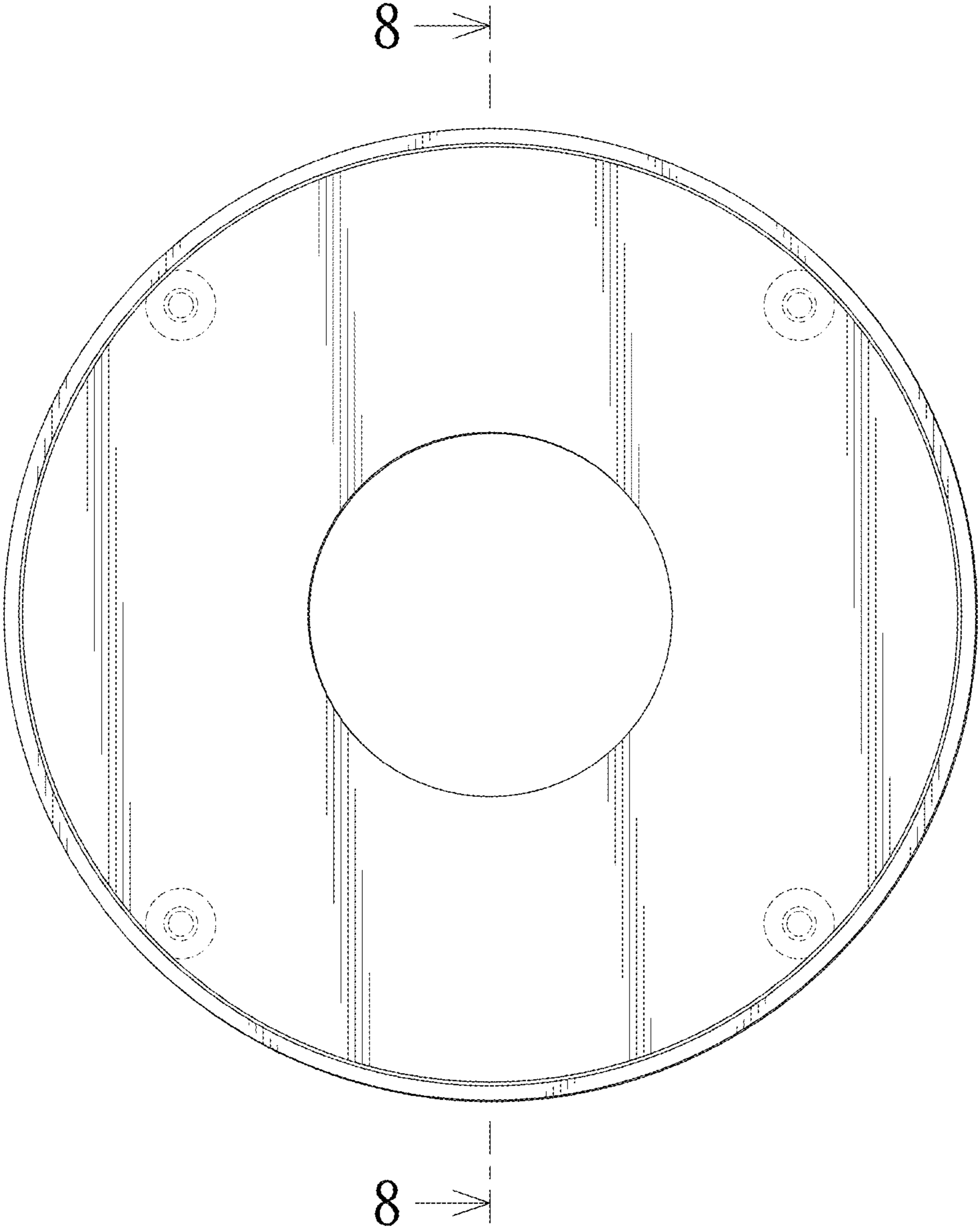


FIG. 3

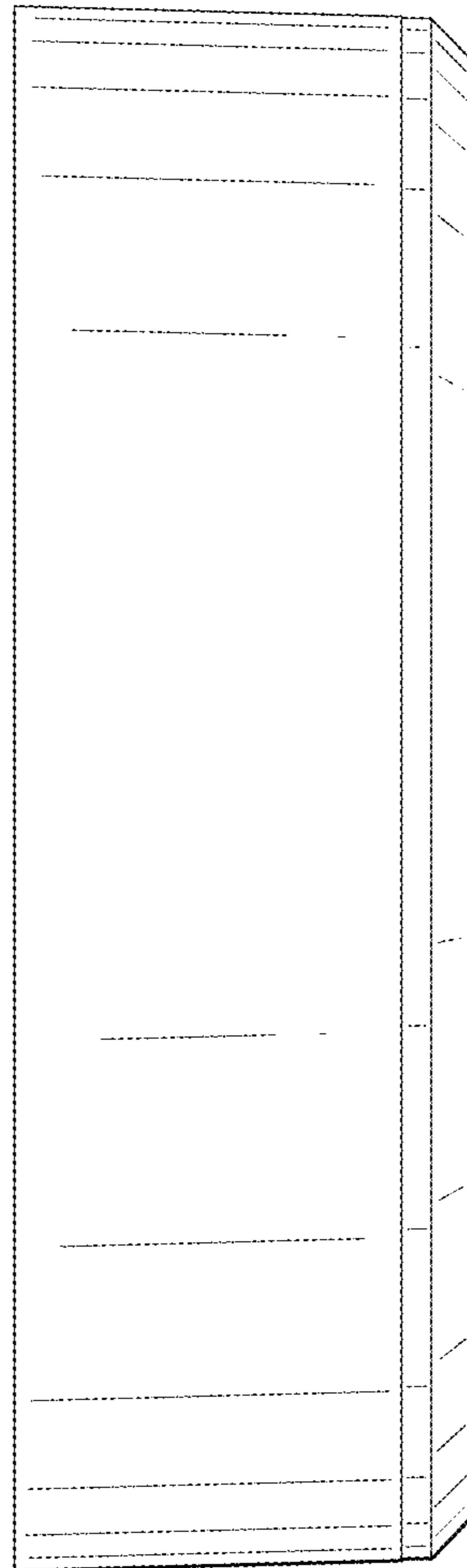


FIG. 4

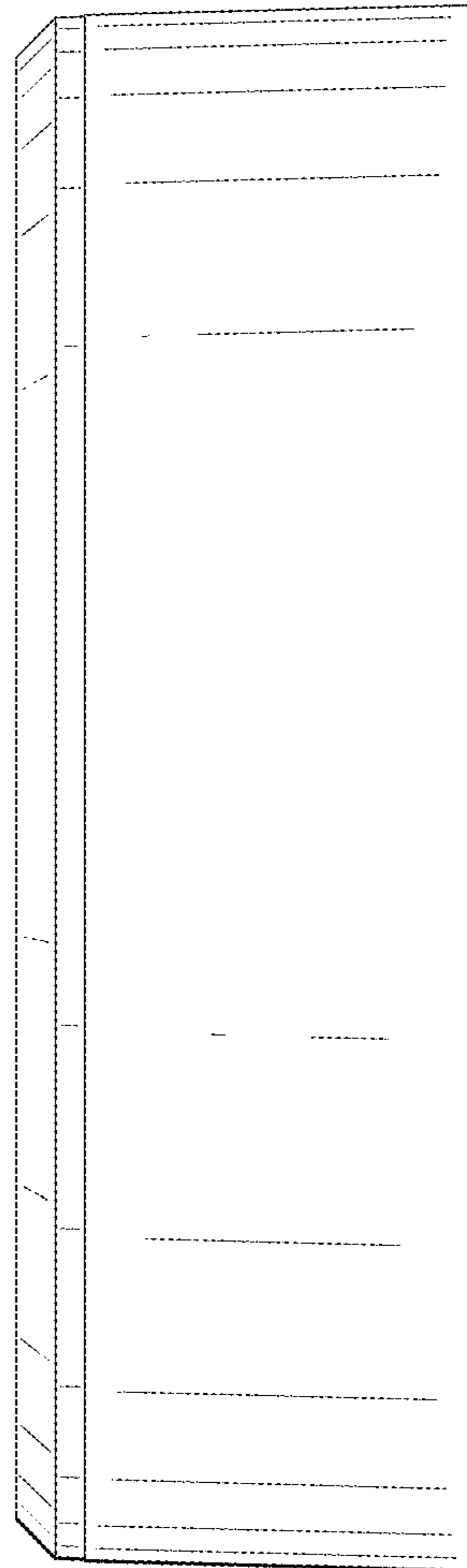


FIG. 5

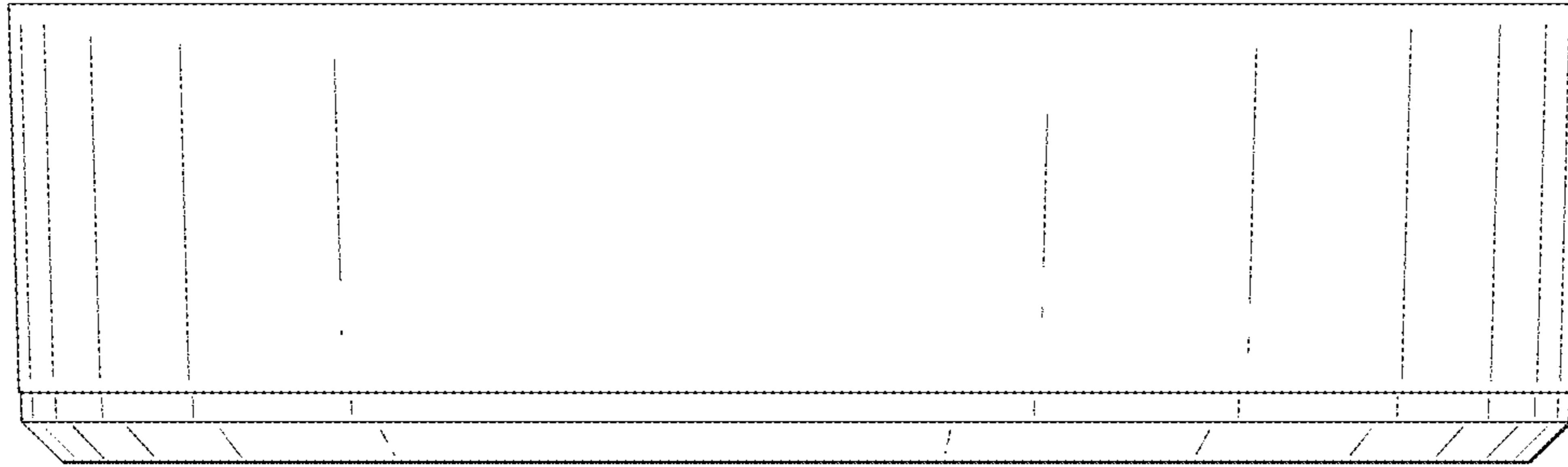


FIG. 6

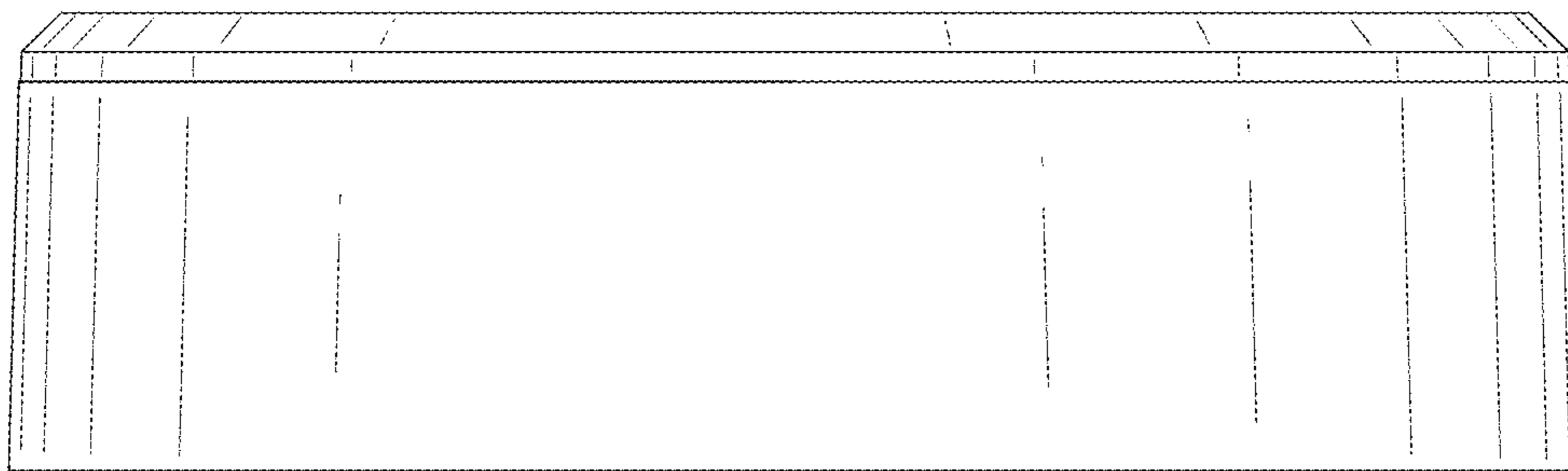


FIG. 7

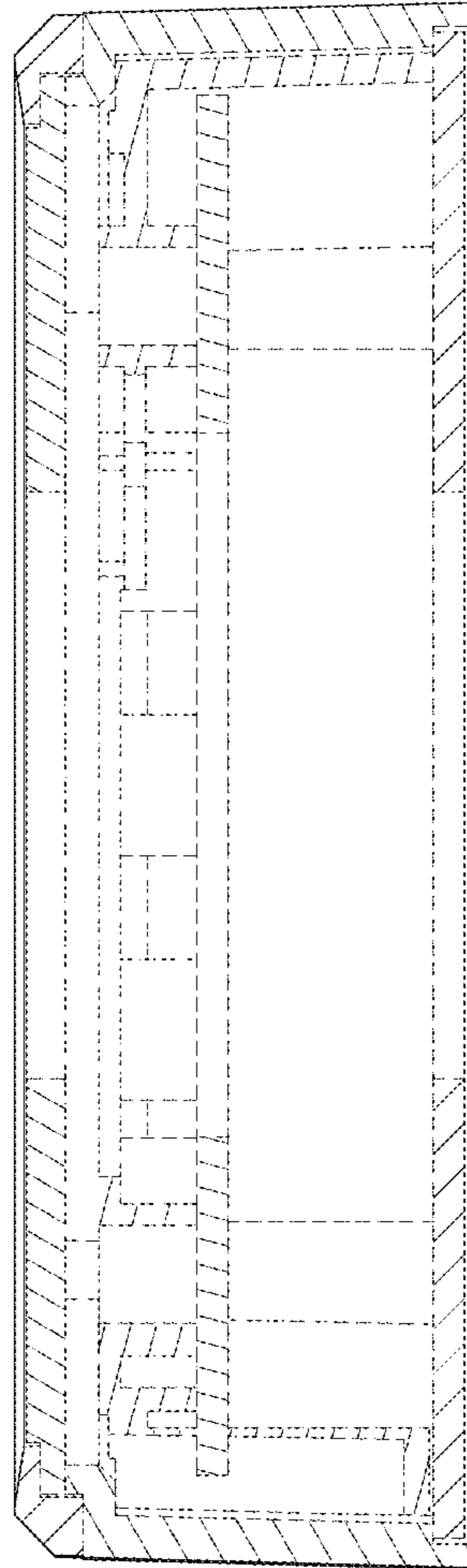


FIG. 8

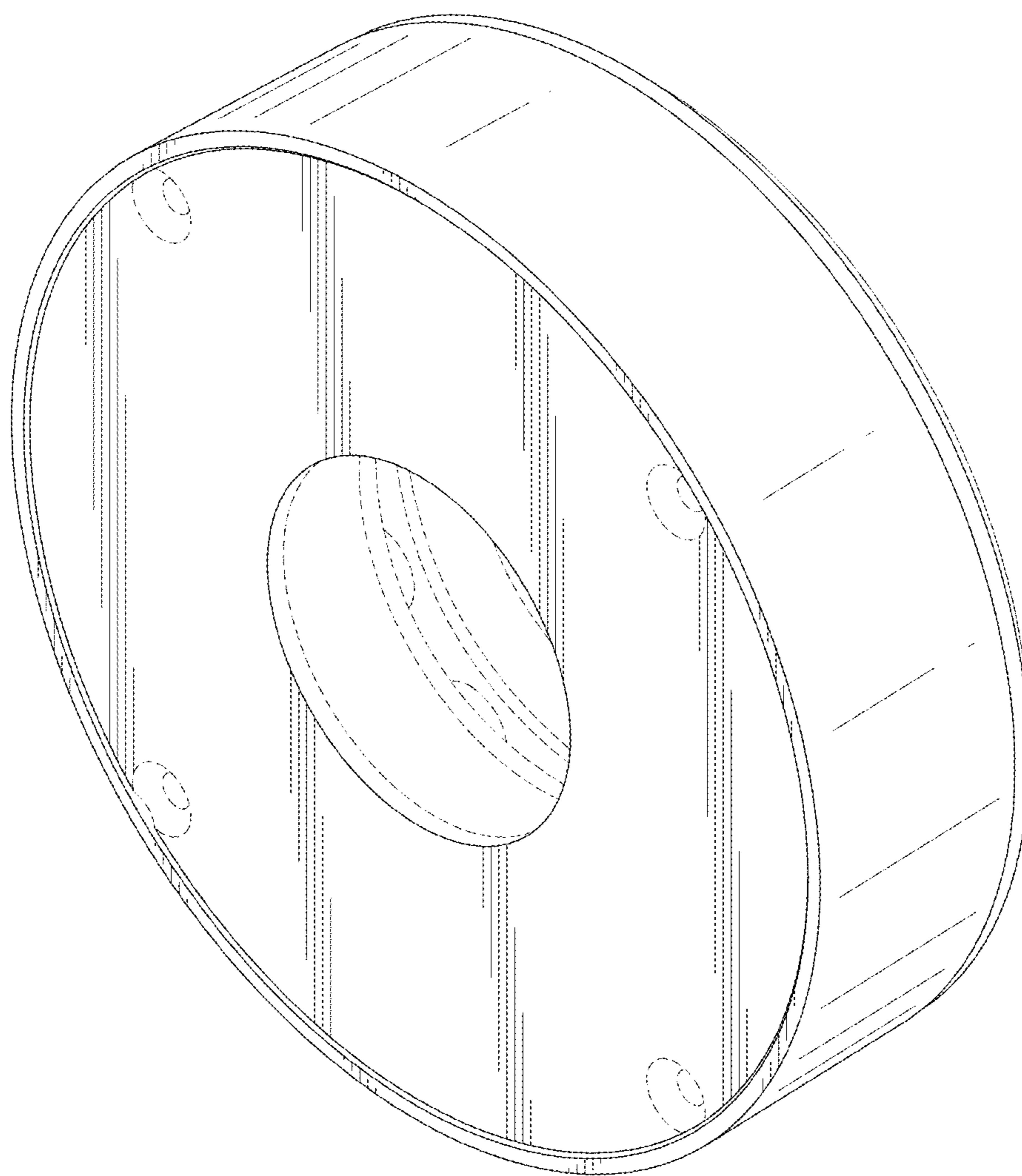


FIG. 9

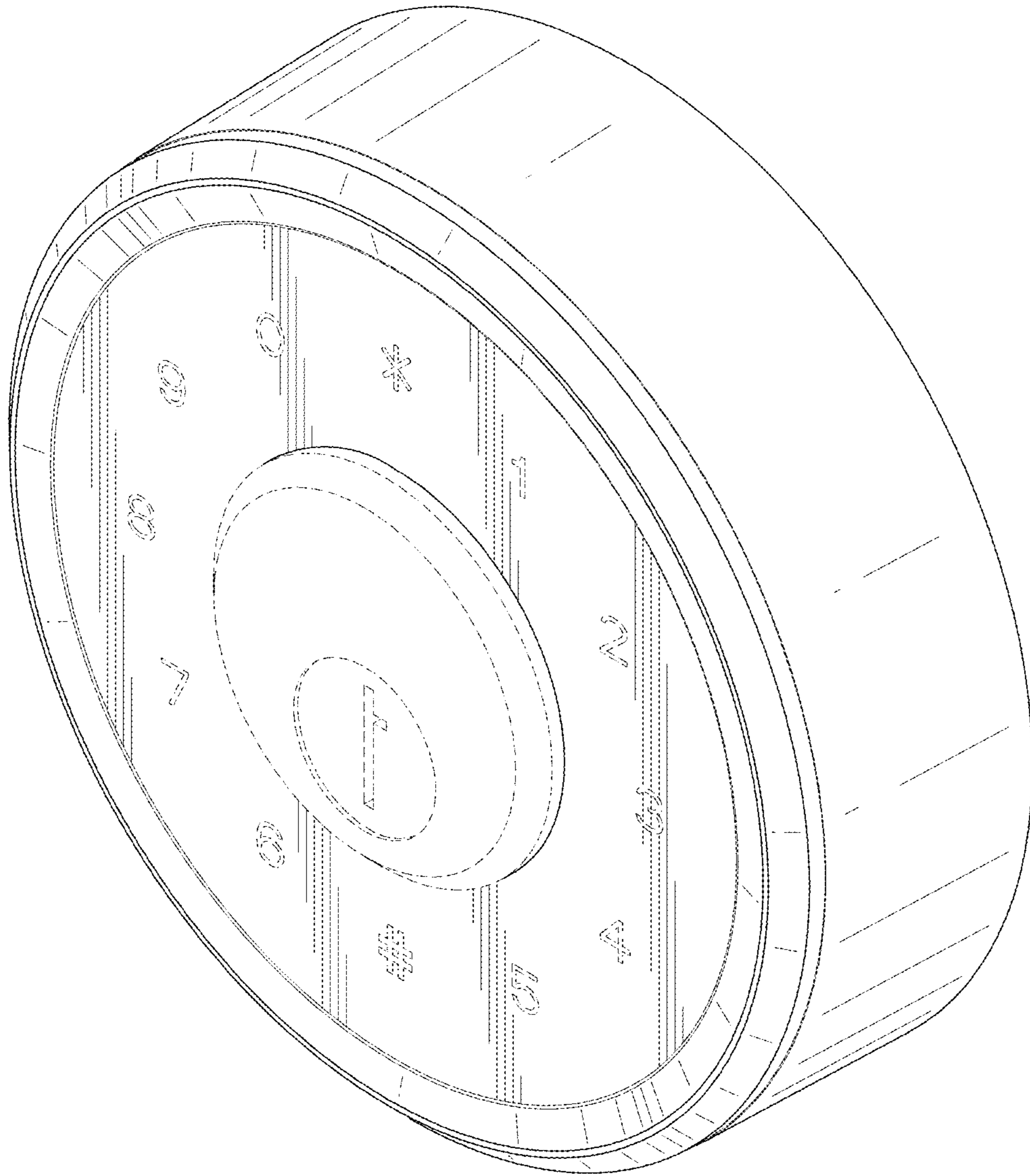


FIG. 10