



US00D935862S

(12) **United States Design Patent**
Yue

(10) **Patent No.:** **US D935,862 S**

(45) **Date of Patent:** **** Nov. 16, 2021**

(54) **MULTIPLE CONFIGURATION LOCK**

6,079,527 A * 6/2000 Kuo A45C 13/22
190/115

(71) Applicant: **CONAIR CORPORATION**, Stamford,
CT (US)

D434,965 S * 12/2000 Ling D8/333

D436,015 S * 1/2001 Yu D8/333

6,173,592 B1 * 1/2001 Yu E05B 37/12
70/312

(72) Inventor: **Po Kwan Brenda Yue**, Kowloon (HK)

D439,825 S 4/2001 Lai

D442,058 S * 5/2001 Miller D8/337

(73) Assignee: **CONAIR LLC**, Stamford, CT (US)

D448,273 S * 9/2001 Lai D20/27

(Continued)

(**) Term: **15 Years**

Primary Examiner — Richard E Chilcot

(21) Appl. No.: **29/629,618**

(74) *Attorney, Agent, or Firm* — Lawrence Cruz, Esq.;

Ryan, Mason & Lewis, LLP

(22) Filed: **Dec. 14, 2017**

(51) **LOC (13) Cl.** **08-07**

(57) **CLAIM**

(52) **U.S. Cl.**

The ornamental design(s) for a multiple configuration lock,
as shown and described.

USPC **D8/334**; D8/333

CPC **E05B 73/0005** (2013.01)

(58) **Field of Classification Search**

DESCRIPTION

USPC D8/330–349, 382, 383, 394–396; 70/14,
70/20, 21, 22, 23, 30, 50, 52, 57, 57.1,
70/69, 70, 76, 164, 233, 416, 465,
70/DIG. 3, DIG. 4

CPC ... E05B 73/0005; E05B 37/0055; E05B 37/02
See application file for complete search history.

FIG. 1 is a perspective view of the multiple configuration
lock in accordance with the principles of the present disclo-
sure depicted securing a single loop shackle in phantom;

FIG. 2 is a right side elevation view of the multipl configu-
ration lock;

FIG. 3 is a top plan view of the multiple configuration lock;

FIG. 4 is a front axial view of the multiple configuration
lock;

FIG. 5 is a bottom plan view of the multiple configuration
lock;

FIG. 6 is a rear axial view of the multiple configuration lock;

FIG. 7 is a left side elevation view of the multiple configu-
ration lock; and,

FIG. 8 is a perspective view of the multiple configuration
lock depicted securing a double loop shackle in phantom.

Any portions of the figures shown in broken lines are for
illustrative purposes only and for no part of the claimed
design.

(56) **References Cited**

U.S. PATENT DOCUMENTS

3,863,468 A * 2/1975 Bach E05B 67/02
70/50

4,181,333 A * 1/1980 Stelma E05C 19/14
292/113

4,706,478 A * 11/1987 Swan E05B 5/00
292/336.3

4,790,579 A * 12/1988 Maxwell E05C 1/10
292/175

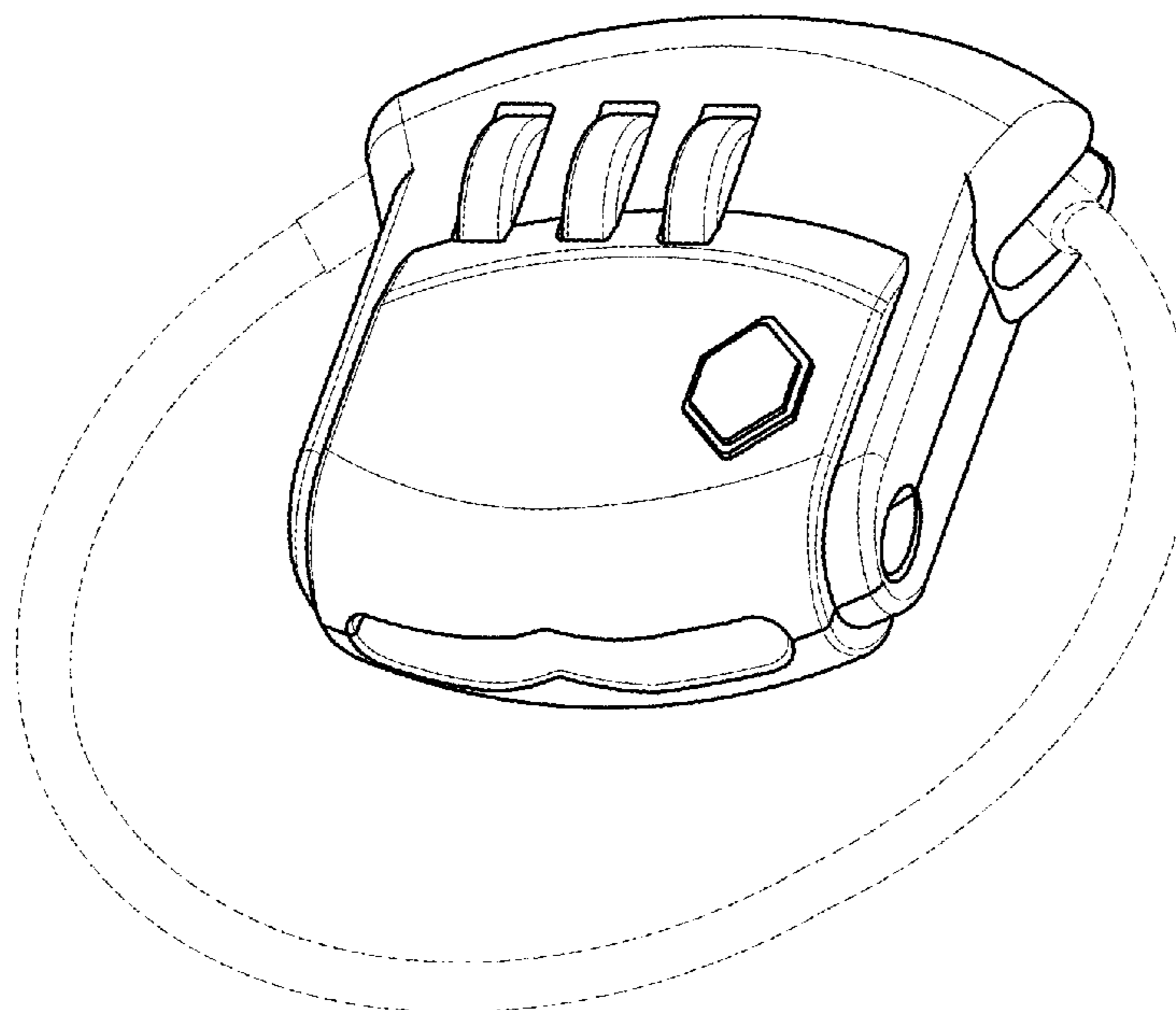
5,136,864 A 8/1992 Spiekermann et al.

5,557,954 A 9/1996 Ling

5,689,979 A 11/1997 Yu

5,927,110 A 7/1999 Yu

1 Claim, 5 Drawing Sheets



(56)

References Cited

U.S. PATENT DOCUMENTS

D450,560	S *	11/2001	Yu	E05B 37/025	D8/333
6,408,660	B1	6/2002	Lai		
D460,341	S *	7/2002	Ling	E05B 37/025	D8/330
6,719,335	B2 *	4/2004	Velschou	G09F 3/0352	292/307 R
D519,824	S *	5/2006	Collings		D8/331
D535,177	S *	1/2007	Hsieh		D8/333
D536,949	S *	2/2007	Weinerman		D8/331
D537,704	S *	3/2007	Van Handel		D8/334
D540,149	S *	4/2007	Tollefson		D8/330
7,200,901	B2	4/2007	Pitts et al.		
D545,667	S *	7/2007	Weinerman		D8/331
D549,552	S	8/2007	Huang		
7,264,287	B2	9/2007	Ching		
D556,012	S *	11/2007	Tollefson		D8/330
D557,106	S *	12/2007	Kuwayama		D8/333
D568,143	S *	5/2008	Sclater		D8/331
D577,278	S *	9/2008	Rohde		D8/334
D577,279	S *	9/2008	Rohde		D8/334
D579,314	S *	10/2008	Tozer		D8/331
D584,595	S *	1/2009	Gray		D8/331
D592,485	S *	5/2009	Stevens		D8/334
D594,732	S *	6/2009	Berstler		D8/331
D595,110	S *	6/2009	Berstler		D8/331
D595,563	S *	7/2009	Stevens		D8/334
D597,397	S *	8/2009	Nazzari		D8/330
D599,242	S *	9/2009	Yang	D10/106.94	
D602,471	S *	10/2009	Bogdan	D14/217	
7,631,524	B2	12/2009	Araujo		
7,676,990	B2 *	3/2010	Bestler	E05B 65/0864	49/449
7,685,851	B2	3/2010	Lai		
D683,611	S *	6/2013	Walter		D8/334
D689,357	S *	9/2013	Wang		D8/333
8,528,371	B2	9/2013	Spiegel et al.		
D690,580	S *	10/2013	Wang		D8/343
D691,457	S *	10/2013	Wang		D8/334
D691,869	S	10/2013	Plato		
D691,871	S *	10/2013	Wang		D8/334
D696,928	S *	1/2014	Baxter, Jr.		D8/346
8,650,724	B2	2/2014	King et al.		
8,661,861	B2	3/2014	Lai		
8,677,692	B2 *	3/2014	Thiele	E05B 77/34	49/460
D722,485	S *	2/2015	Yong		D8/334
D724,931	S *	3/2015	Dudgeon		D8/334
D730,713	S *	6/2015	Liang		D8/331
D739,706	S *	9/2015	Klaus		D8/333
D745,365	S *	12/2015	Dudgeon		D8/334
D756,746	S *	5/2016	Liang		D8/331
9,428,941	B1	8/2016	Yang		
9,512,647	B2	12/2016	Meersschaert et al.		
9,629,423	B2	4/2017	Schlipper		
9,739,076	B2	8/2017	Dunn		
D801,779	S *	11/2017	De Vries		D8/334
D803,028	S *	11/2017	Lee		D8/334
D807,150	S *	1/2018	Kuu		D8/334
D821,847	S *	7/2018	Gillespie, IV		D8/334
D834,918	S *	12/2018	Zheng		D8/334
D898,547	S *	10/2020	Xu		D8/334
D899,892	S *	10/2020	Liu		D8/334
D900,590	S *	11/2020	Li		D8/334
D906,785	S *	1/2021	Kinas		D8/334
D920,078	S *	5/2021	Liang		D8/343
2003/0057717	A1 *	3/2003	Murphy	E05B 65/0835	292/241
2004/0226325	A1 *	11/2004	Ling	E05G 1/005	70/63
2005/0035605	A1	2/2005	Vanderwater-Piercy		
2005/0061038	A1	3/2005	Ling et al.		
2005/0235705	A1	10/2005	Ling et al.		
2006/0006035	A1	1/2006	Liang		
2006/0087130	A1 *	4/2006	Liang	E05B 15/102	292/242
2008/0012357	A1 *	1/2008	Liang	E05B 41/00	292/240
2008/0209956	A1	9/2008	Araujo		
2009/0301145	A1	12/2009	Valerio		
2011/0138866	A1	6/2011	Ponicall		
2011/0271720	A1 *	11/2011	Zheng	E05C 3/042	70/89
2011/0304163	A1 *	12/2011	Liang	E05C 3/046	292/242
2012/0284993	A1 *	11/2012	Liang	E05B 9/08	29/453
2012/0313386	A1 *	12/2012	Liang	E05B 3/04	292/224
2012/0313387	A1 *	12/2012	Liang	E05B 15/004	292/224
2013/0264128	A1	10/2013	Plato et al.		
2013/0285391	A1 *	10/2013	Wolf	E05C 3/046	292/241
2014/0366592	A1 *	12/2014	Bao	E05B 37/10	70/25
2015/0252596	A1 *	9/2015	Liang	E05C 3/045	292/163
2015/0252600	A1 *	9/2015	Liang	E05B 65/0841	292/169
2015/0300049	A1	10/2015	Majeau		
2016/0060921	A1 *	3/2016	Liang	E05B 65/0841	292/34
2016/0069108	A1 *	3/2016	Liang	E06B 9/02	292/165
2016/0168886	A1 *	6/2016	Liang	E05B 65/0864	292/164
2016/0222698	A1 *	8/2016	Lai	E05B 67/003	
2016/0319577	A1 *	11/2016	Liang	E05B 65/0847	
2017/0009488	A1 *	1/2017	Lai	E05B 37/0034	
2017/0020238	A1	1/2017	Cowdery et al.		
2017/0020239	A1	1/2017	Cowdery et al.		
2017/0152688	A1 *	6/2017	Liang	E06B 3/5063	
2018/0230710	A1 *	8/2018	Liang	E05B 65/0841	
2018/0320416	A1 *	11/2018	Lai	E05B 67/24	
2018/0340355	A1 *	11/2018	Liang	E05D 15/22	
2019/0010734	A1 *	1/2019	Bhanpurawala	E05B 67/383	
2019/0186174	A1 *	6/2019	Lam	E05B 63/0065	
2020/0217103	A1 *	7/2020	Lai	E05B 37/025	
2020/0408012	A1 *	12/2020	Guelck	E05B 65/0841	

* cited by examiner

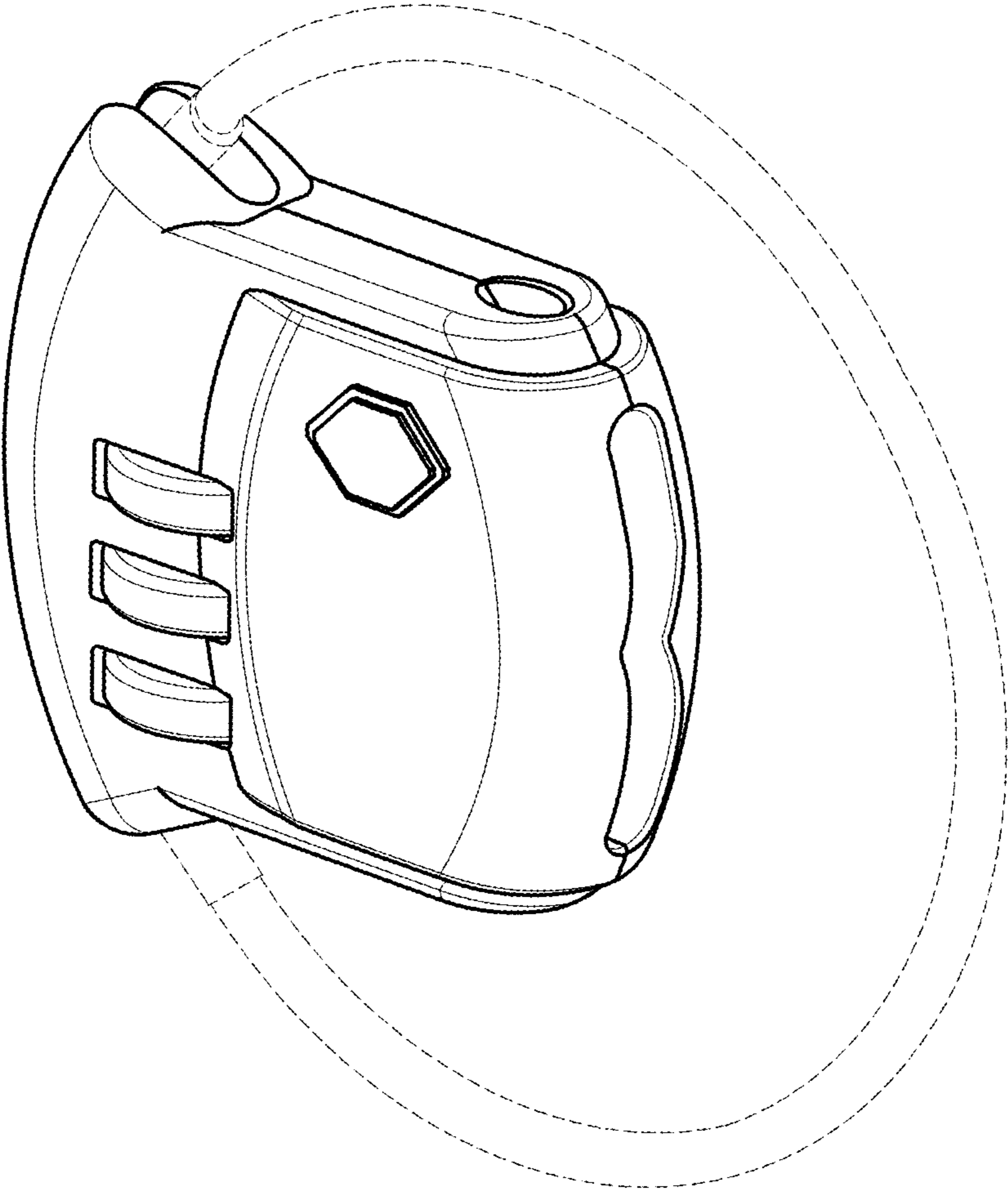


FIG. 1

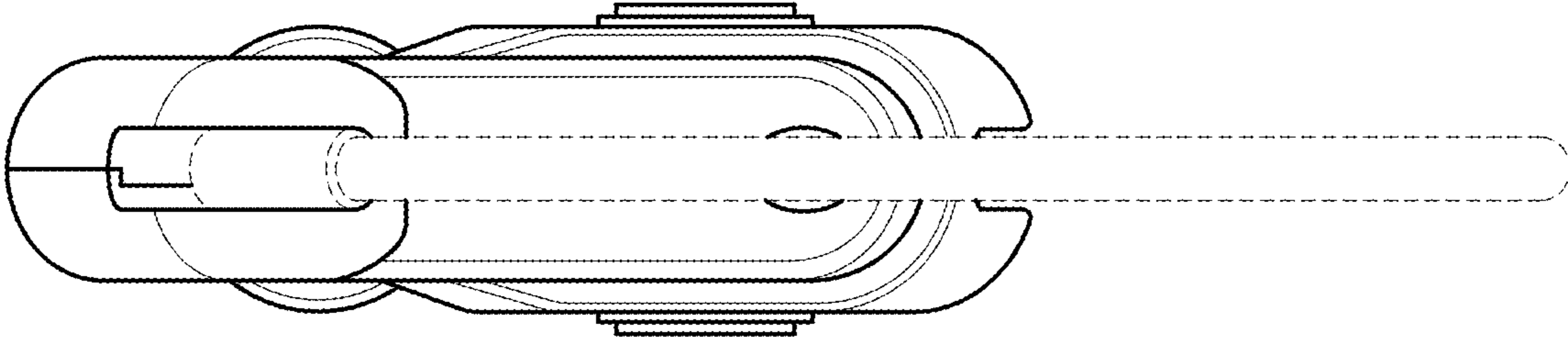


FIG. 2

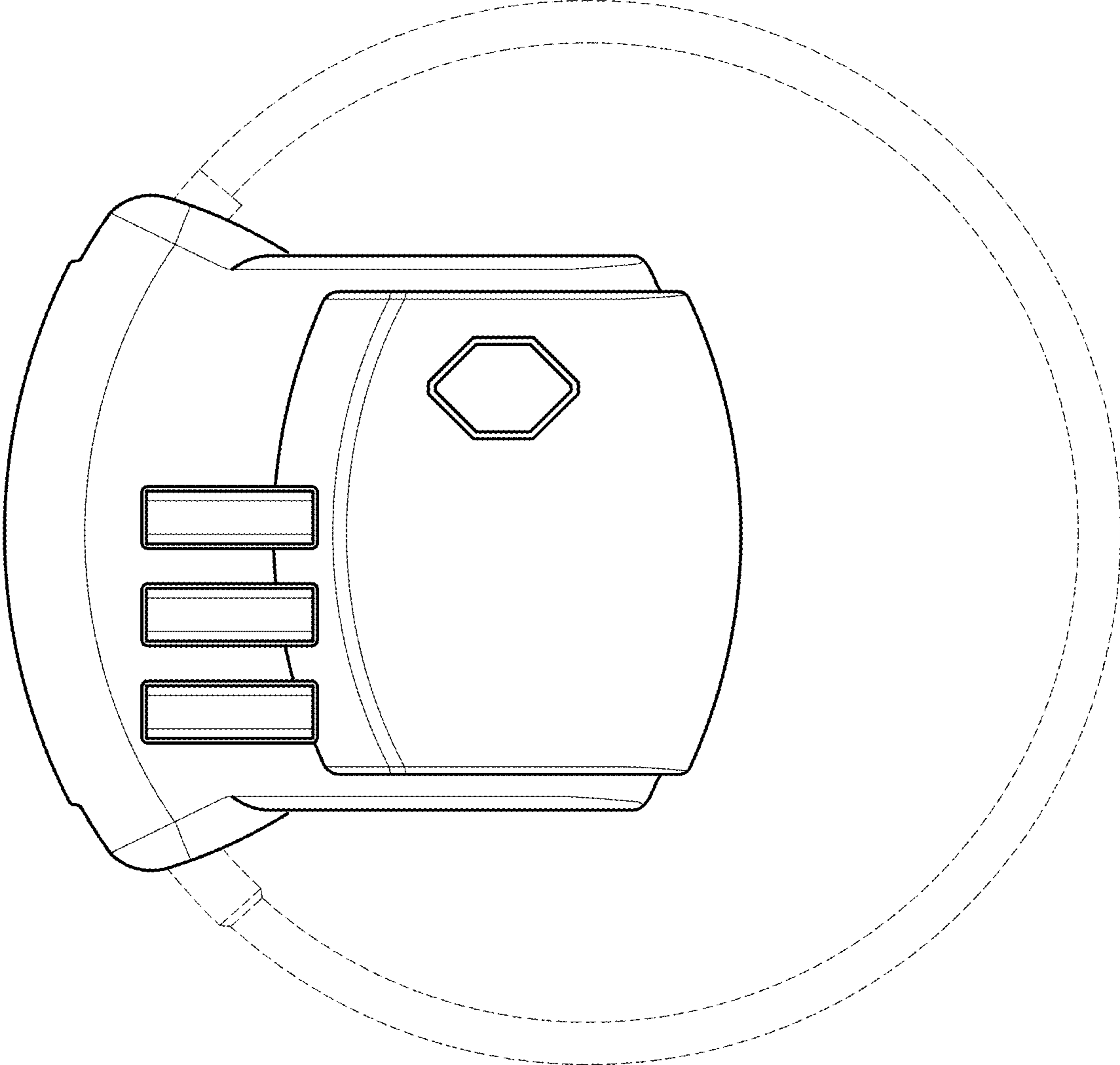


FIG. 3

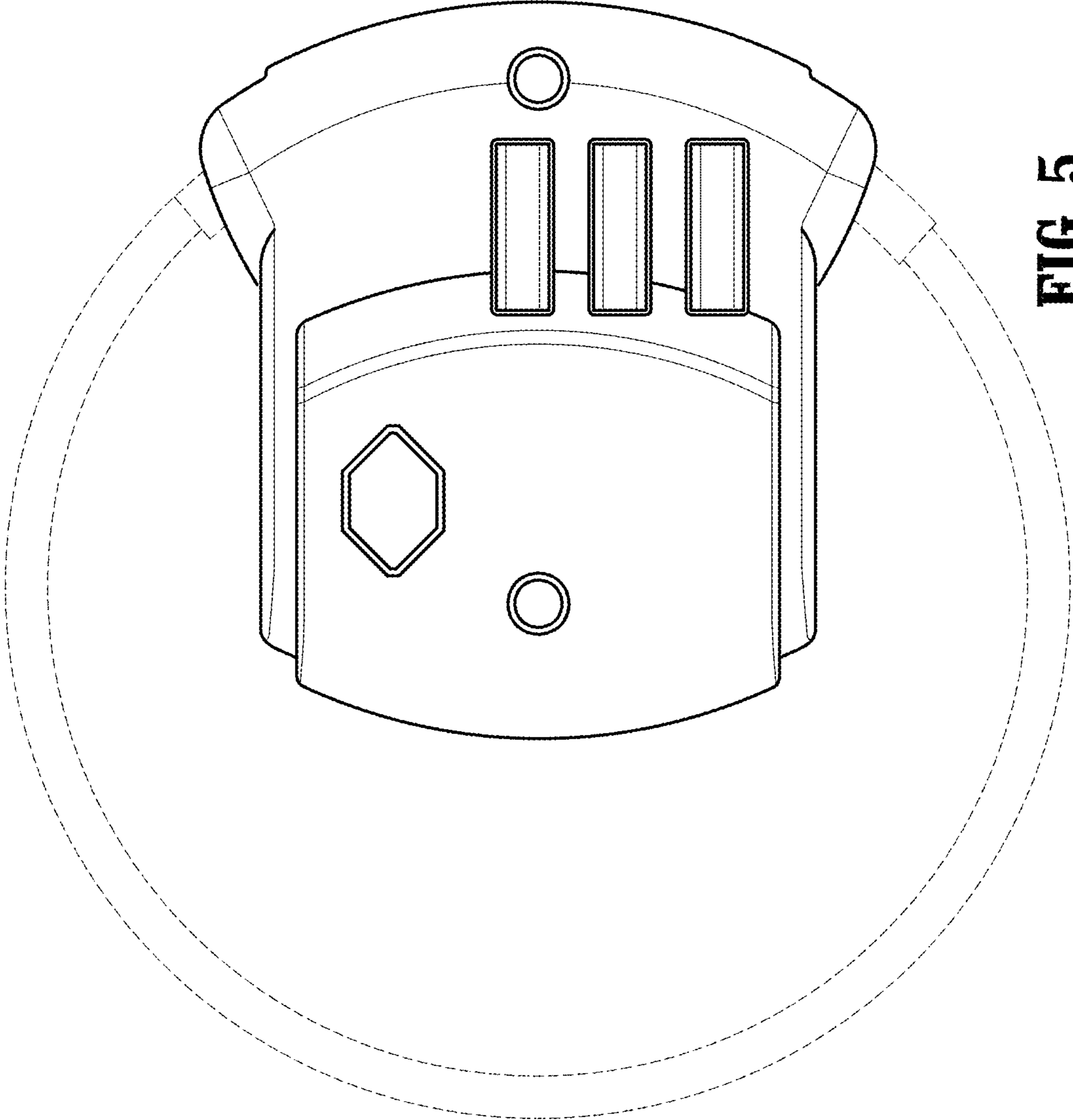


FIG. 5

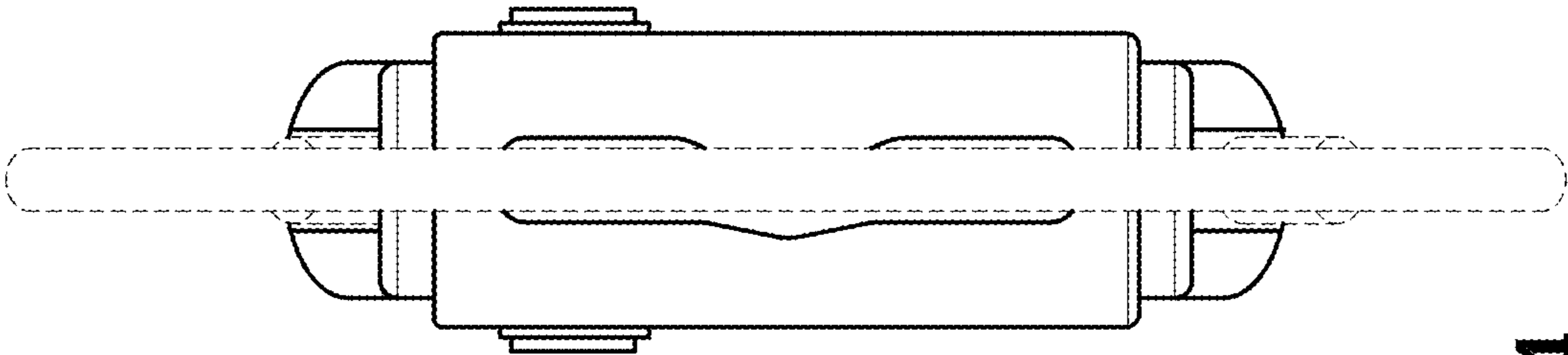


FIG. 4

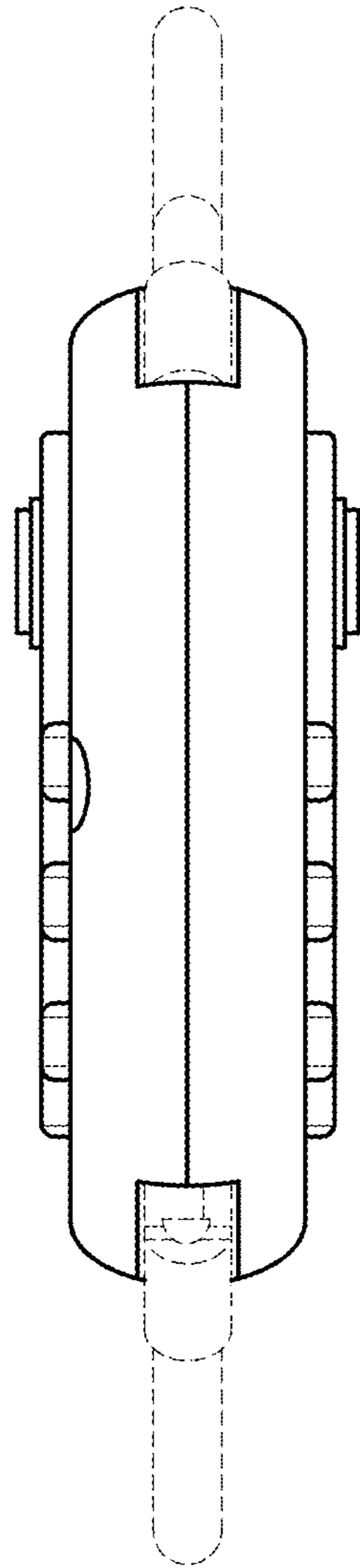


FIG. 6

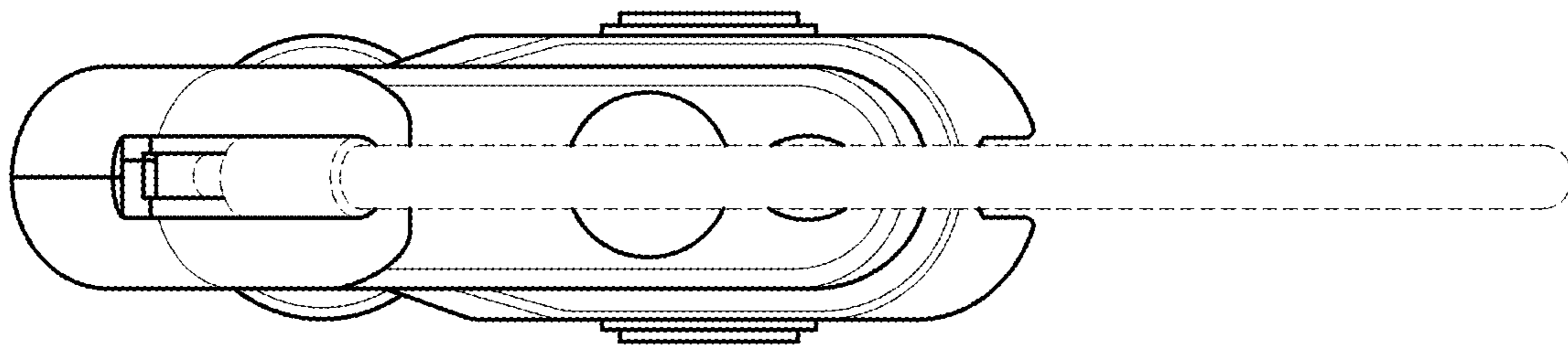


FIG. 7

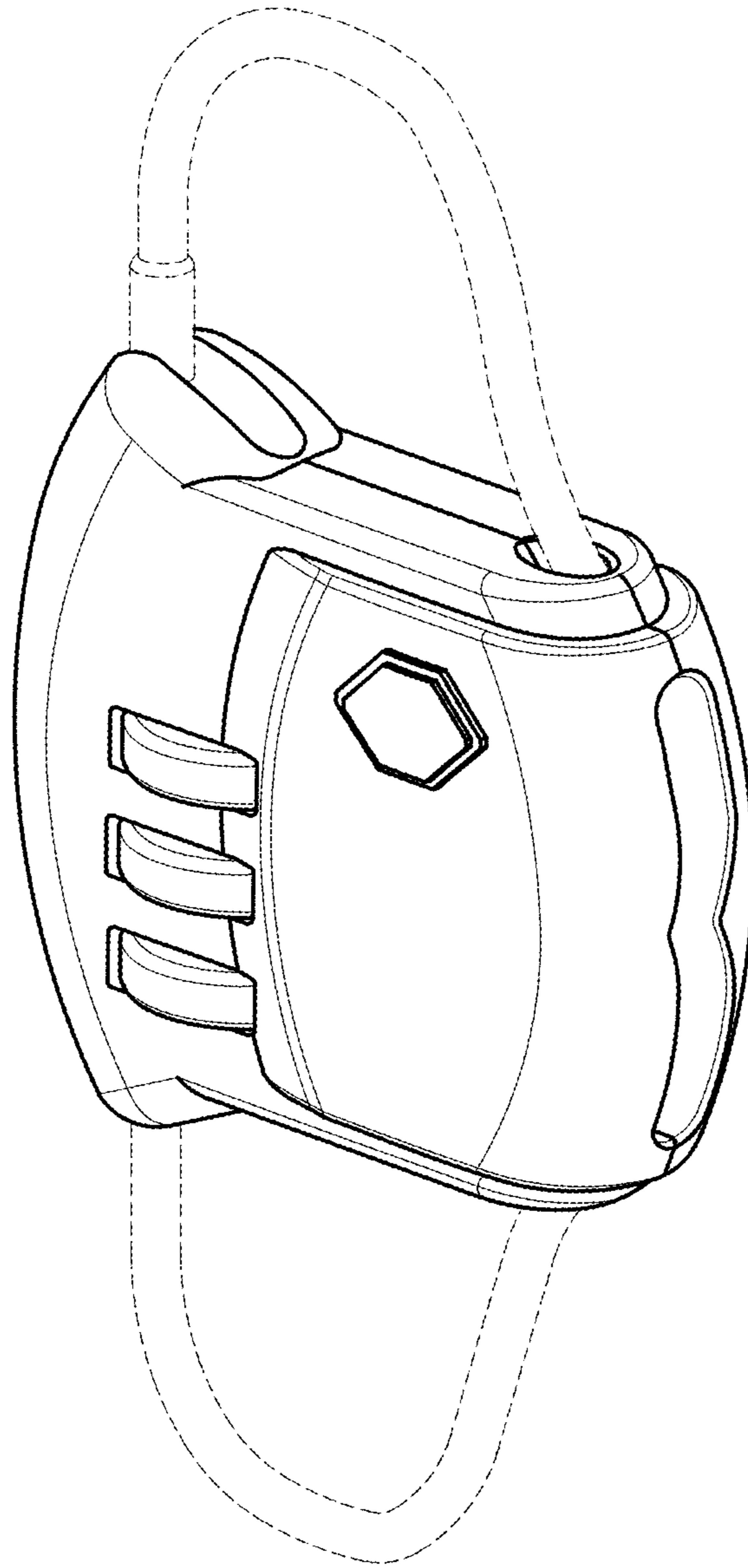


FIG. 8